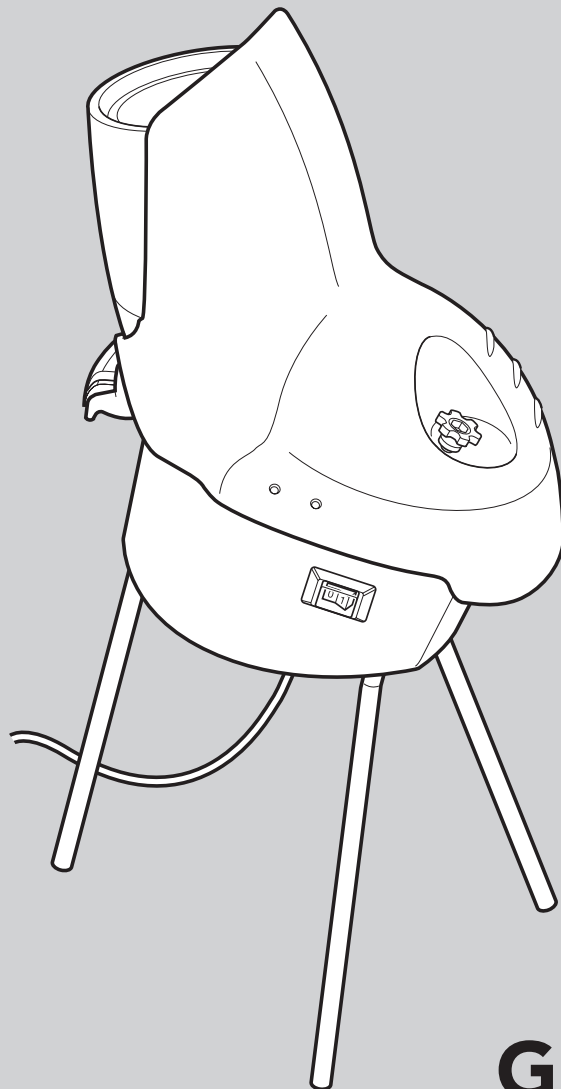
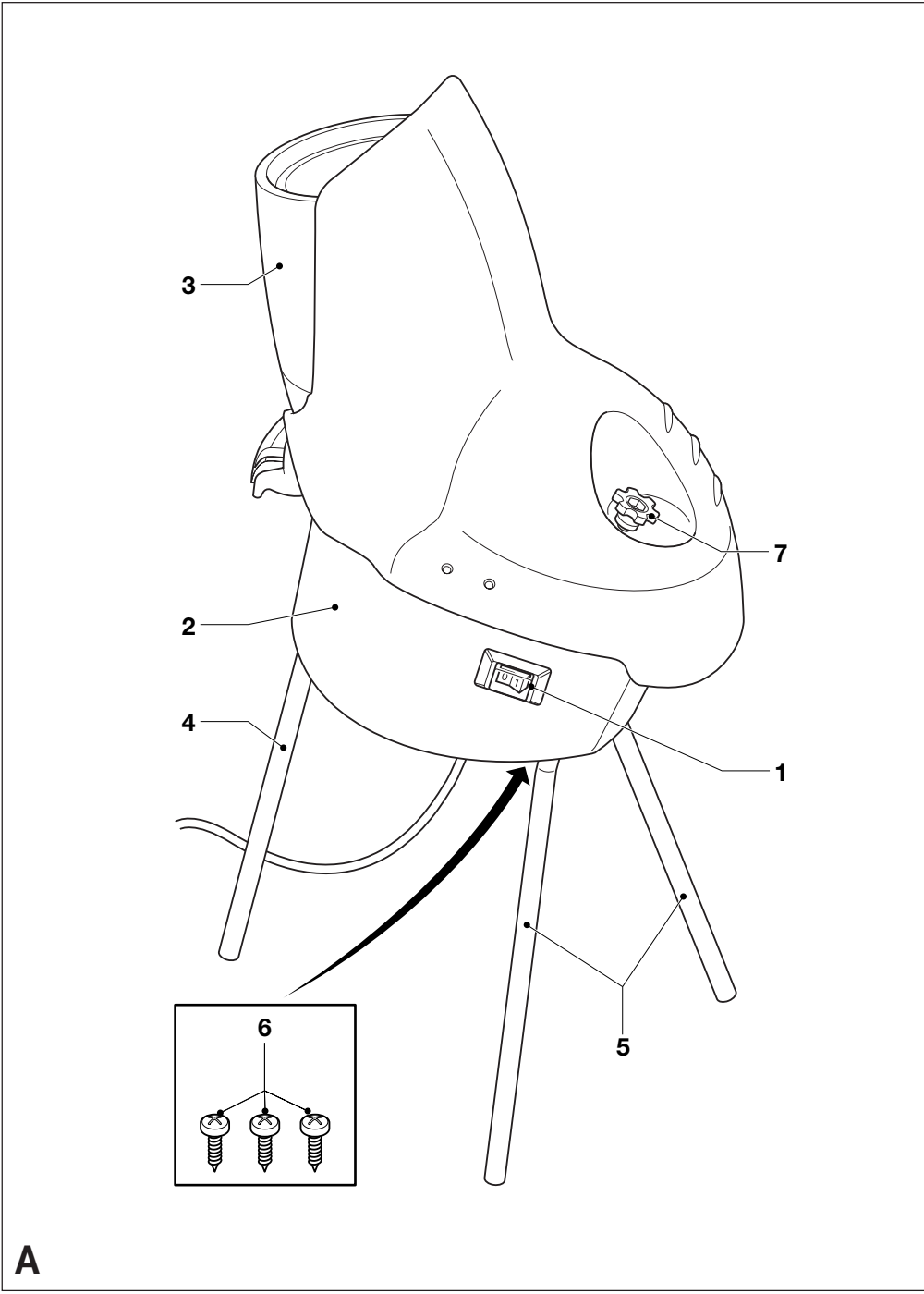


 **BLACK &  
DECKER**®

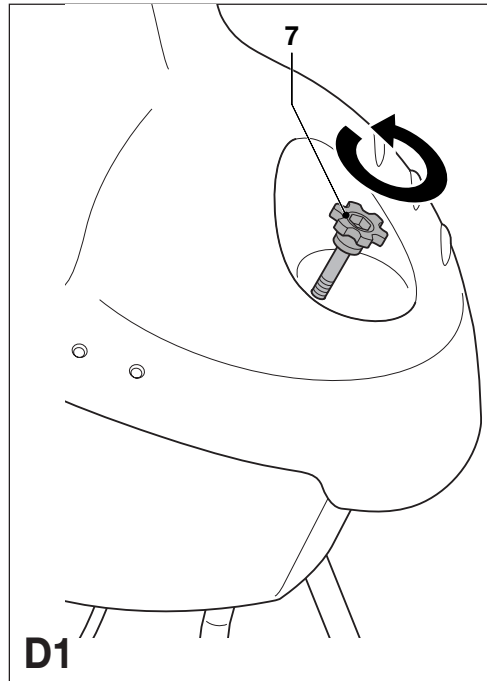
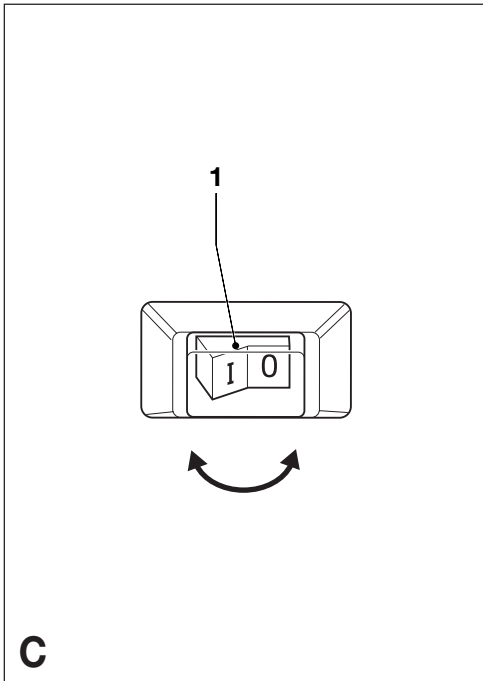
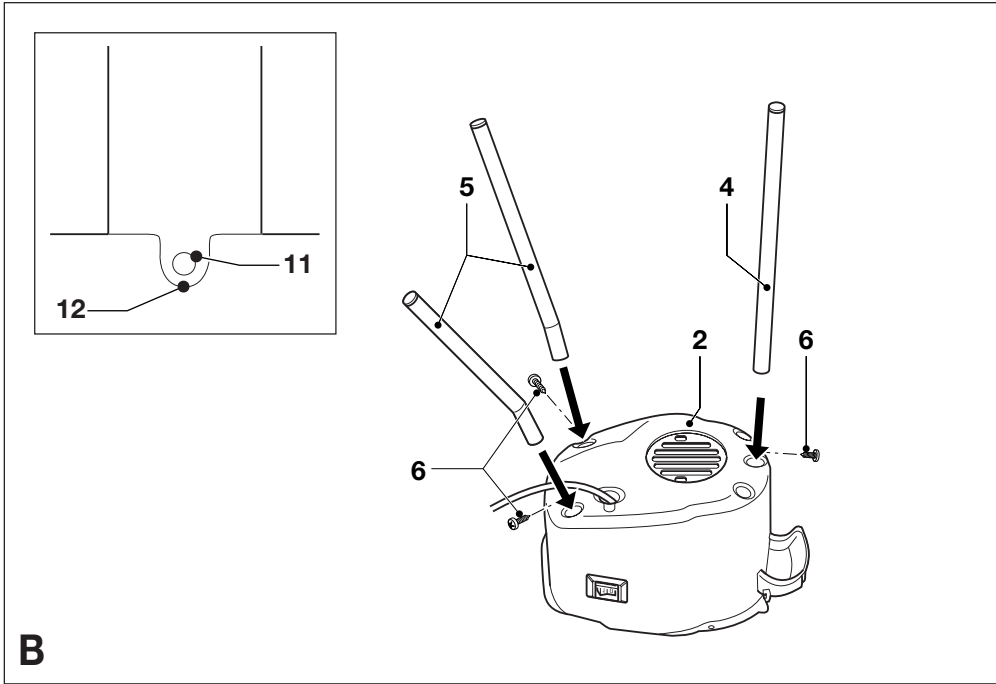


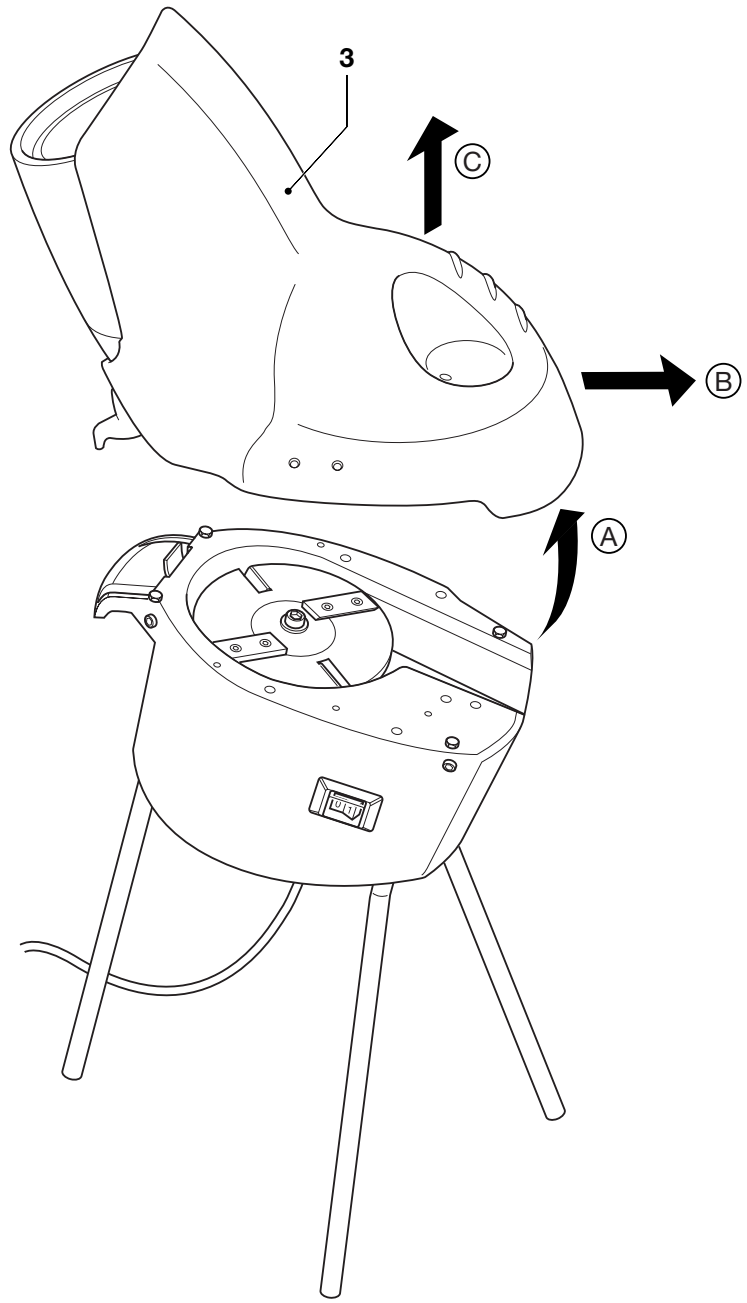
**GS1400**

<b>English</b>	<b>7</b>
<b>Deutsch</b>	<b>14</b>
<b>Français</b>	<b>21</b>
<b>Italiano</b>	<b>28</b>
<b>Nederlands</b>	<b>35</b>
<b>Español</b>	<b>42</b>
<b>Português</b>	<b>49</b>
<b>Svenska</b>	<b>56</b>
<b>Norsk</b>	<b>62</b>
<b>Dansk</b>	<b>68</b>
<b>Suomi</b>	<b>74</b>
<b>Ελληνικά</b>	<b>80</b>

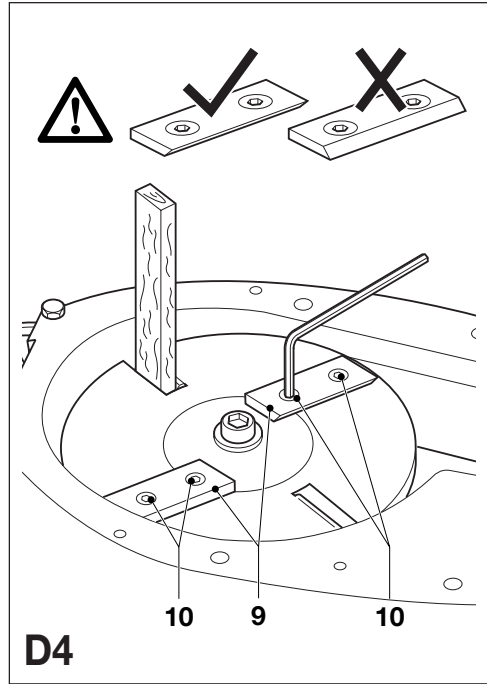
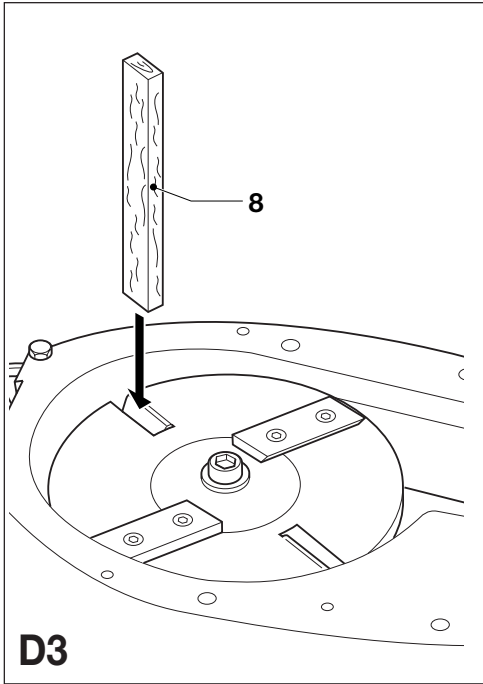


A





D2



# SHREDDER GS1400

## CONGRATULATIONS!

You have chosen a Black & Decker tool. Our aim is to provide quality tools at an affordable price. We hope that you will enjoy using this tool for many years.

## EC DECLARATION OF CONFORMITY



GS1400

Black & Decker declares that these products conform to: 98/37/EC, 89/336/EEC, 73/23/EEC, DIN VDE 0730, DIN 11004

Level of sound pressure, measured according to DIN 11004:

			GS1400
$L_{pA}$	(sound pressure)	dB(A)	88.1
$L_{WA}$	(acoustic power)	dB(A)	109.4



Always wear ear protection if the sound pressure exceeds 85 dB(A).

Hand/arm weighted vibration value according to DIN 11004:

		GS1400
		4.6 m/s <sup>2</sup>

Brian Cooke  
 Director of Engineering  
 Spennymoor, County Durham DL16 6JG,  
 United Kingdom

## INTENDED USE

Your Black & Decker garden shredder GS1400 has been designed for shredding most kitchen and garden waste, including prunings, hedge trimmings, twigs and other organic garden waste as well as paper and cardboard. The shredded waste is ideal for composting purposes or to obtain a smaller volume of waste for easy disposal. This garden shredder is intended for consumer use only. It is intended for intermittent use: the recommended material feed time is 40% of the total run time of the shredder. Selecting and picking up the material will normally provide a sufficient idle time.

## SAFETY INSTRUCTIONS

### Warning symbols

The following symbols are used in this manual:



Denotes risk of personal injury, loss of life or damage to the tool in case of non-observance of the instructions in this manual.



Denotes risk of electric shock.



Read the manual prior to operation.

### Know your tool



- ◆ **Warning!** When using mains-powered tools, basic safety precautions, including the following, should always be followed to reduce the risk of fire, electric shock, personal injury and material damage.
- ◆ Read all of this manual carefully before operating the tool.
- ◆ Before operating the tool, make sure that you know how to switch the tool off in an emergency.
- ◆ Retain this manual for future reference.

## ENGLISH

### General

#### 1. Consider work area environment

Do not expose the tool to rain. Do not use the tool in damp or wet conditions. Keep the work area well lit. Do not use the tool where there is a risk of causing fire or explosion, i.e. in the presence of flammable liquids and gases. Keep the work area free from debris and obstacles.

#### 2. Keep children away

Do not allow children, visitors or animals to come near the work area or to touch the tool or mains cable.

#### 3. Dress properly

Do not wear loose clothing or jewellery, as these can be caught in moving parts. Preferably wear rubber gloves and non-slip footwear when working outdoors. Wear protective hair covering to keep long hair out of the way.

#### 4. Personal protection

Always use safety glasses. Use a face or dust mask whenever the operations may produce dust or flying particles. Wear ear protection whenever the sound level seems uncomfortable.

#### 5. Guard against electric shock

Prevent body contact with earthed or grounded surfaces (e.g. metal railings, lamp-posts etc.). Electric safety can be further improved by using a high-sensitivity (30 mA/30 mS) residual current device (RCD).

#### 6. Do not overreach

Keep proper footing and balance at all times.

#### 7. Stay alert

Watch what you are doing. Use common sense. Do not operate the tool when you are tired.

#### 8. Secure workpiece

Where appropriate, use clamps or a vice to hold the workpiece. It is safer and it frees both hands to operate the tool.

#### 9. Remove keys and adjusting wrenches

Always check that keys and adjusting wrenches are removed from the tool before operating the tool.

#### 10. Extension cables

Before use, inspect the extension cable and replace if damaged. Only use extension cables intended for outdoor use.

#### 11. Use appropriate tool

The intended use is described in this instruction manual. Do not force small tools or attachments to do the job of a heavy-duty tool. The tool will do the job better and safer at the rate for which it was intended. Do not force the tool.

**Warning!** The use of any accessory or attachment or performance of any operation with this tool other than those recommended in this instruction manual may present a risk of personal injury.

#### 12. Check for damaged parts

Before use, carefully check the tool and mains cable for damage. Check for misalignment and seizure of moving parts, breakage of parts, damage to guards and switches and any other conditions that may affect its operation. Ensure that the tool will operate properly and perform its intended function. Do not use the tool if any part is damaged or defective. Do not use the tool if the switch does not turn it on and off. Have any damaged or defective parts repaired or replaced by an authorised repair agent. Never attempt any repairs yourself. If the supply cord is damaged, it must be replaced by the manufacturer or its service agent or a similarly qualified person in order to avoid a hazard.

#### 13. Unplug the tool

Unplug the tool when it is not in use, before changing any parts of the tool, accessories or attachments and before servicing.

#### 14. Avoid unintentional starting

Do not carry the tool with a finger on the on/off switch. Be sure that the tool is switched off when plugging in.

#### 15. Do not abuse cord

Never carry the tool by its cord or pull it to disconnect from the socket. Keep the cord away from heat, oil and sharp edges.

#### 16. Store idle tools

When not in use, tools should be stored in a dry, locked up or high place, out of reach of children.

#### 17. Maintain tools with care

Keep cutting tools sharp and clean for better and safer performance. Follow the instructions for maintenance and changing accessories. Keep handles and switches dry, clean and free from oil and grease.



### 18. Repairs

This tool complies with relevant safety requirements. Repairs should only be carried out by qualified persons using original spare parts; otherwise this may result in considerable danger to the user.

#### Additional safety instructions for shredders



Read the manual prior to operation.



Danger - rotating blades. Keep hands and feet out of openings.



Never operate the shredder unless the chute is in place and securely fastened.



Do not expose the tool to rain.



Never put your hands in the blade area while the blades are running or the shredder is plugged in. The blades will keep running for a few seconds after the shredder has been switched off.



Wear safety glasses or goggles when operating this tool.



Wear ear protection when operating this tool.



Wear gloves when operating this tool.



Before performing any maintenance, switch off and unplug the tool.

- ◆ Before use, ensure that the tool is placed on a firm and level surface.

- ◆ Never look directly into the outlet while the shredder is running, as loose debris may be ejected.
- ◆ Never attempt to shred bones, stone, glass, metal, plastics or rags.
- ◆ Do not allow children or any person who has not read this instruction manual or who is not familiar with the tool to operate it.
- ◆ Remember that the operator may be held responsible for accidents or hazards occurring to other people or their property.

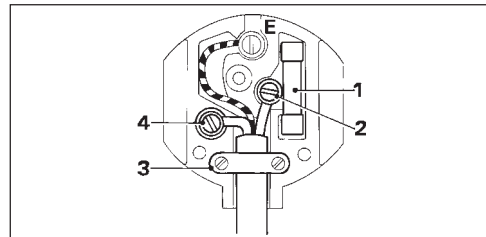
#### ELECTRICAL SAFETY

The electric motor has been designed for one voltage only. Always check that the power supply corresponds to the voltage on the rating plate.



This product must be earthed.

#### Mains plug replacement (U.K. & Ireland only)



- ◆ Should your mains plug need replacing and you are competent to do this, proceed as instructed below. If you are in doubt, contact an authorised repair agent or a qualified electrician.
- ◆ Disconnect the plug from the supply and remove the fuse from the plug.
- ◆ Cut off the plug and dispose of it safely; a plug with bared copper conductors is dangerous if engaged in a live socket outlet.
- ◆ Only fit 13 Amperes BS1363A approved plugs fitted with the correctly rated fuse (1). Only fit 13 Amperes fuses.
- ◆ The cable wire colours, or a letter, will be marked at the connection points of most good quality plugs. Attach the wires to their respective points in the plug (see above). Brown is for Live (L) (2), blue is for Neutral (N) (4) and green/yellow is for Earth (E).

## ENGLISH

- ◆ The earth wire should be of a length to ensure that in the event of the cable being pulled from the plug, the earth wire is the last to break contact.
- ◆ Before replacing the top cover of the mains plug ensure that the cable restraint (3) is holding the outer sheath of the cable firmly and that the leads are correctly fixed at the terminal screws.
- ◆ If the plug has a fuse cover, make sure that the fuse cover is fitted. Do not use the plug if the fuse cover is missing or damaged.



Never use a light socket.

### Using an extension cable

Always use an approved 3-core extension cable suitable for the power input of this tool (see technical data). The extension cable must be suitable for outdoor use and marked accordingly. When using a cable reel, always unwind the cable completely.

### CARTON CONTENTS

The carton contains:

- 1 Shredder body with chute
  - 3 Legs
  - 3 Leg retaining screws
  - 1 Allen key
  - 1 Instruction manual
- ◆ Carefully unpack all parts.

### OVERVIEW (fig. A)

1. On/off switch
2. Body
3. Chute
4. Rear leg
5. Front legs
6. Leg retaining screw
7. Thumb nut

### ASSEMBLY



Before assembly, make sure that the tool is switched off and unplugged.

### Mounting the legs (fig. B, D1 & D2)

- ◆ Loosen the thumb nut (7) and remove the chute (3) (fig. D1 & D2).
- ◆ Turn the shredder upside down and place it on the floor.
- ◆ Insert the rear leg (4) into the corresponding opening in the body (2) as shown. Align the screw hole (11) with the bottom of the slot (12).
- ◆ Secure the leg with a retaining screw (6).
- ◆ Insert both front legs (5) into the corresponding openings in the body (2) as shown. Align the screw hole (11) with the bottom of the slot (12).
- ◆ Secure each of the legs with a retaining screw (6).
- ◆ Turn the shredder into the upright position and refit the chute. Securely tighten the thumb nut.

### USE



- ◆ Let the tool work at its own pace. Do not overload.
- ◆ Do not switch the shredder off before it is completely empty, as it may clog and be difficult to restart.
- ◆ Remove soil and stones from plant roots before shredding.
- ◆ Firmly hold branches when feeding them into the shredder.

### Switching on and off (fig. C)

- ◆ To switch the tool on, set the on/off switch (1) to position **I**.
- ◆ To switch the tool off, set the on/off switch to position **O**.

### Hints for optimum use

- ◆ Shred dry materials last, as this will help to clear moist material from the shredder.
- ◆ Do not allow material to pile up and compost prior to shredding.
- ◆ You may feed shreds into the shredder for a second time to further reduce their volume.
- ◆ Refer to the chart at the end of this text.

### MAINTENANCE

Your Black & Decker tool has been designed to operate over a long period of time with a minimum of maintenance.

Continuous satisfactory operation depends upon proper tool care and regular cleaning.



Before performing any maintenance, switch off and unplug the tool.

- ◆ After use, open the chute as described below. Clean and dry the casing and the blade area. Avoid the blades.
- ◆ Regularly check that the blades are sharp. Replacement blades are available from Black & Decker repair agents. To replace blades, proceed as instructed below.

#### Removing the chute (fig. D1 & D2)

You will need to remove the chute to obtain access to the blade area.



Make sure that the tool is switched off and unplugged.

- ◆ Loosen the thumb nut (7).
- ◆ Tilt the chute (3) backover (A), slide it forward (B) and lift it upward (C).
- ◆ To replace the chute, proceed in reverse order.

#### Replacing the blades (fig. D1 - D4)

The blades can be used on both sides. When one side has become blunt, you may use the other side.



- ◆ Make sure that the tool is switched off and unplugged.
- ◆ Take care not to cut yourself. Preferably wear gloves.

#### Removing

- ◆ Remove the chute as described above.
- ◆ Lock the blade disc using a block of wood (8) as shown (fig. D3).
- ◆ Remove the blades (9) by loosening the Allen screws (10) using the Allen key provided (fig. D4).

#### Refitting

To refit the blades:

- ◆ Place the blades on the disc with the ground edge facing down. The holes in the blades must line up with those in the disc.

- ◆ Securely fasten the blades (9) by tightening the Allen screws (10).
- ◆ Remove the block of wood (8).
- ◆ Replace the chute (3) and tighten the thumb nut (7) (fig. D1 & D2).

#### Restarting a clogged shredder

If the motor is overloaded, the tool will automatically be switched off.

- ◆ Allow the motor to cool down for a few minutes.

If the motor still refuses to start:



- ◆ Make sure that the tool is switched off and unplugged.
- ◆ Take care not to cut yourself. Preferably wear gloves.

- ◆ Remove the chute as described above.
- ◆ Carefully remove all material from the shredder.
- ◆ Replace the chute as described above.
- ◆ Plug the tool in and switch it on.

#### PROTECTING THE ENVIRONMENT



Should you find one day that your tool needs replacement, or if it is of no further use to you, think of the protection of the environment. Black & Decker repair agents will accept old Black & Decker tools and ensure that they are disposed of in an environmentally safe way.

#### Technical data

	GS1400	
Voltage	V	230
Power output	W	1,400
Weight	kg	15

#### GUARANTEE

**The Black & Decker lawn and garden guarantee provides: 36 months parts and 12 months labour cover in the UK, 24 months parts and labour cover in South Africa, Australia and New Zealand. Proof of purchase will be required.**

## ENGLISH

Should your Black & Decker product become defective within the guarantee period due to faulty materials or workmanship, we guarantee to either replace all defective parts or -at our discretion- to replace the unit free of charge, provided that:

- ◆ The product is returned to us or one of our authorised repair agents with proof of purchase.
- ◆ The product has been used within the parameters of its consumer classification.
- ◆ The product has not been used for hire purposes.
- ◆ Repairs have not been attempted by anyone other than our authorised repair agents.
- ◆ The failure represents normal wear and tear.

This guarantee is offered as an extra benefit and does not affect your statutory rights.

### **The guarantee policy**

The following failures are not covered by the above guarantee:

- ◆ Replacing worn or damaged blades, nylon lines, chains and power cables. These items are regarded as replacement items which wear during normal usage.
- ◆ Failures as a result of sudden impact or obvious abuse.
- ◆ Failures due to usage not in accordance with instructions and recommendations contained in this manual.

**The use of other than genuine Black & Decker accessories and parts may cause decreased performance or damage to the product and will render the guarantee void.**

### **AFTER SALES SERVICE**

Full details on our after-sales service are available on the Internet at [www.2helpU.com](http://www.2helpU.com). Alternatively, contact our Service and Information Centre at the address towards the back of this manual.

It is our aim that all Black & Decker customers should be totally satisfied with their Black & Decker product and our after sales service. If any help or advice is needed, please contact your local Black & Decker repair agent.

If your product needs repair, please take or send it to an authorised repair agent, providing proof of purchase if claiming a guarantee repair.

Black & Decker offers a nationwide network of authorised repair agents.

Full details on our after sales service can be obtained from any of our authorised repair agents.

### **OTHER OUTDOOR TOOLS**

Black & Decker has a full range of outdoor power tools that make life in the garden easy. If you would like further information on the following products, please contact our Service and Information Centre (see the address page towards the end of this manual) or your local Black & Decker retailer.

String trimmers	Chainsaws
Cordless shear	Hedgetrimmers
Lawnmowers	Lawnrakers
Leafbusters	Shredders

Not all products are available in all countries.

OPTIMUM USE OF YOUR SHREDDER

Material	Recommended condition for shredding	Remarks
Twigs and prunings	As cut	Feed without overloading.
Branches < 25 mm	As cut	Clip off side growth. Feed without overloading. Firmly hold large diameter branches.
Bedding plants, weeds, shrubby growth	As cut, fairly dry	Knock soil and stones off roots. Do not shred seeded weeds.
Freshly cut foliage, hedge prunings, vegetable waste	As cut, no surface moisture	When shredding materials with a high moisture content, regularly feed dry material to clean the shredder.
Paper and cardboard	Very dry, loosely rolled	Do not shred following moist material.
Fibrous foliage, pampas grass stems	Very dry	Cut into short lengths before shredding.

The following materials are suitable for composting without shredding:

- Grass clippings
- Soft vegetation, especially when wet or when natural decomposition has commenced
- Damp paper or cardboard

# GARTENHÄCKSLER GS1400

## HERZLICHEN GLÜCKWUNSCH!

Sie haben sich für ein Gerät von Black & Decker entschieden. Wir möchten Qualitätsgeräte zu einem erschwinglichen Preis bieten. Wir hoffen, daß Sie dieses Gerät viele Jahre mit Freude verwenden werden.

## EU-KONFORMITÄTSERKLÄRUNG



GS1400  
Black & Decker erklärt hiermit, daß diese Geräte entsprechend folgenden Richtlinien und Normen konzipiert wurden: 98/37/EWG, 89/336/EWG, 73/23/EWG, DIN VDE 0730, DIN 11004

Höhe des Schalldrucks, gemessen nach DIN 11004:

GS1400		
L <sub>pA</sub> (Schalldruck)	dB(A)	88,1
L <sub>WA</sub> (Schalleistung)	dB(A)	109,4



Tragen Sie bei einem Schalldruck über 85 dB(A) einen Gehörschutz.

Gewichteter Effektivwert der Beschleunigung nach DIN 11004:

GS1400	
	4,6 m/s <sup>2</sup>

Brian Cooke  
Director of Engineering  
Spennymoor, County Durham DL16 6JG,  
United Kingdom

## BESTIMMUNGSGEMÄSSE VERWENDUNG

Ihr Black & Decker Gartenhäcksler GS1400 wurde zum Zerkleinern organischer Garten- und Küchenabfälle entwickelt. Zu den geeigneten Abfällen zählen Zweige, Äste, Heckenschnitt, Papier und Pappe. Die zerkleinerten Abfälle eignen sich bestens zur Kompostierung oder lassen sich aufgrund geringeren Volumens leichter entsorgen. Dieser Gartenhäcksler ist nicht für den gewerblichen Einsatz vorgesehen. Er eignet sich nicht für Dauerbelastung: die empfohlene Materialeinfuhrzeit liegt bei 40% der gesamten Betriebszeit des Gartenhäckslers. Das Sortieren und Auflesen des Materials stellt normalerweise eine ausreichende Leerlaufzeit für den Gartenhäcksler dar.

## SICHERHEITSHINWEISE

### Warnsymbole

Folgende Warnsymbole werden in dieser Anleitung verwendet:



Verletzungsgefahr, Lebensgefahr oder mögliche Beschädigung des Geräts infolge der Nichtbeachtung der Anweisungen dieser Anleitung!



Gefahr eines elektrischen Schlages.



Lesen Sie vor der Inbetriebnahme die Anleitung.

### Kennen Sie Ihr Gerät



♦ **Warnung!** Bei der Verwendung elektrischer Geräte sind zum Schutz gegen Feuergefahr, gegen elektrischen Schlag sowie gegen Körper- und Sachschaden grundlegende Sicherheitsmaßnahmen, einschließlich der folgenden Vorschriften, zu beachten.

- ◆ Lesen Sie diese Anleitung gründlich durch, bevor Sie das Gerät verwenden.
- ◆ Informieren Sie sich vor der Inbetriebnahme, wie Sie das Gerät im Notfall ausschalten.
- ◆ Bewahren Sie diese Anleitung auf.

### Allgemeines

#### 1. Berücksichtigen Sie Umgebungseinflüsse!

Setzen Sie das Gerät keinem Regen aus. Verwenden Sie das Gerät nicht in einer feuchten oder nassen Umgebung. Sorgen Sie für eine gute Beleuchtung des Arbeitsbereiches. Benutzen Sie das Gerät nicht an Orten, wo Feuergefahr oder Explosionsgefahr besteht, z.B. in der Nähe von brennbaren Flüssigkeiten oder Gasen. Halten Sie den Arbeitsbereich frei von Abfällen und Hindernissen.

#### 2. Halten Sie Kinder fern!

Halten Sie Kinder, Besucher und Tiere dem Arbeitsbereich fern und sorgen Sie dafür, daß Sie das Gerät und das Netzkabel nicht berühren.

#### 3. Tragen Sie geeignete Arbeitskleidung!

Tragen Sie keine weite Kleidung oder Schmuck, da diese von sich bewegenden Teilen erfaßt werden können. Beim Arbeiten im Freien sind Arbeitshandschuhe und rutschfestes Schuhwerk empfehlenswert. Tragen Sie bei langen Haaren ein Haarnetz.

#### 4. Schutzmaßnahmen:

Verwenden Sie immer eine Schutzbrille. Tragen Sie eine Atemschutzmaske, falls die Arbeiten Staub oder Späne erzeugen können. Tragen Sie bei einem hohen oder unangenehmen Schallpegel immer einen Gehörschutz.

#### 5. Schutz vor elektrischem Schlag

Vermeiden Sie eine Berührung des Körpers mit geerdeten Gegenständen (z.B. Metallgeländer, Laternenpfähle usw.). Die elektrische Sicherheit läßt sich durch Verwendung eines Fehlerstrom-Schutzschalters (30 mA/30 mS) weiter erhöhen.

#### 6. Achten Sie auf einen sicheren Stand!

Achten Sie auf einen sicheren Stand, um in jeder Arbeitsposition das Gleichgewicht zu halten.

#### 7. Seien Sie stets aufmerksam!

Konzentrieren Sie sich auf Ihre Arbeit. Gehen Sie vernünftig vor. Verwenden Sie das Gerät nicht, wenn Sie müde sind.

#### 8. Sichern Sie das Werkstück!

Wo zutreffend, benutzen Sie Spannvorrichtungen oder einen Schraubstock, um das Werkstück festzuhalten. Es ist damit sicherer gehalten und ermöglicht die Bedienung des Gerätes mit beiden Händen.

#### 9. Lassen Sie keine Schlüssel stecken!

Überprüfen Sie vor dem Einschalten, ob die Schlüssel und Einstellwerkzeuge entfernt sind.

#### 10. Verlängerungskabel

Prüfen Sie vor dem Gebrauch das Verlängerungskabel und tauschen Sie es aus, falls es beschädigt ist. Verwenden Sie nur Verlängerungskabel, die sich für die Verwendung im Freien eignen.

#### 11. Benutzen Sie das richtige Gerät!

Die bestimmungsgemäße Verwendung ist in dieser Betriebsanleitung beschrieben. Verwenden Sie keine zu schwachen Geräte oder Zubehörteile für schwere Arbeiten. Mit dem richtigen Gerät erzielen Sie eine optimale Qualität und gewährleisten Ihre persönliche Sicherheit. Überlasten Sie das Gerät nicht.

**Warnung!** Das Verwenden anderer als der in dieser Anleitung empfohlenen Vorsatzgeräte und Zubehörteile oder die Ausführung von Arbeiten mit diesem Gerät, die nicht der bestimmungsgemäßen Verwendung entsprechen, kann zu Unfallgefahren führen.

#### 12. Kontrollieren Sie Ihr Gerät auf

##### Beschädigungen!

Überprüfen Sie das Gerät und das Netzkabel vor der Arbeit auf Beschädigungen. Überprüfen Sie, ob alle beweglichen Teile richtig montiert sind, ob keine Teile gebrochen sind, ob keine Schutzvorrichtungen und Schalter beschädigt sind, und ob irgendwelche andere Schäden den einwandfreien Betrieb des Gerätes beeinträchtigen könnten. Vergewissern Sie sich, daß das Gerät ordnungsgemäß funktionieren wird. Verwenden Sie das Gerät nicht, wenn irgendein Teil defekt ist.

## DEUTSCH

Verwenden Sie das Gerät nicht, wenn der Ein-/Aus-Schalter nicht funktioniert. Lassen Sie defekte Teile immer von einer unserer Kundendienstwerkstätten reparieren oder austauschen. Versuchen Sie nie, das Gerät selber zu reparieren. Falls das Netzkabel beschädigt ist, ist es von einer autorisierten Reparaturwerkstatt auszutauschen, um Gefahren vorzubeugen.

### 13. Ziehen Sie den Netzstecker!

Ziehen Sie den Netzstecker, wenn Sie das Gerät nicht benutzen, bevor Sie irgendwelche Werkzeuge, Zubehörteile oder Geräteteile auswechseln und bevor Sie irgendwelche Wartungsarbeiten vornehmen.

### 14. Vermeiden Sie ein unbeabsichtigtes Einschalten!

Tragen Sie das Gerät nicht mit dem Finger am Ein-/Aus-Schalter. Vergewissern Sie sich, daß das Gerät ausgeschaltet ist, wenn Sie es an die Stromversorgung anschließen.

### 15. Behandeln Sie das Kabel sorgfältig!

Tragen Sie das Gerät nicht am Kabel und benutzen Sie das Kabel nicht, um den Stecker aus der Steckdose zu ziehen. Schützen Sie das Kabel vor Hitze, Öl und scharfen Kanten.

### 16. Bewahren Sie Ihre Geräte sicher auf!

Unbenutzte Geräte sind an einem trockenen, für Kinder nicht erreichbaren Ort aufzubewahren.

### 17. Pflegen Sie Ihre Geräte mit Sorgfalt!

Halten Sie Schneidwerkzeuge scharf und sauber, um gut und sicher arbeiten zu können. Befolgen Sie die Wartungsvorschriften und die Hinweise für den Werkzeugwechsel. Halten Sie Handgriffe und Schalter trocken, sauber und frei von Öl und Fett.

### 18. Reparaturen:

Dieses Gerät entspricht den einschlägigen Sicherheitsvorschriften. Reparaturen sind nur von autorisierten Fachkräften und mit Original-Ersatzteilen vorzunehmen; andernfalls kann Unfallgefahr für den Betreiber entstehen.

### Zusätzliche Sicherheitshinweise für Gartenhäcksler



Lesen Sie vor der Inbetriebnahme die Anleitung.



Gefahr - rotierende Messer. Stecken Sie Ihre Hände und Füße nie in Öffnungen im Gerät.



Verwenden Sie den Gartenhäcksler nur, wenn der Einfülltrichter ordnungsgemäß montiert ist.



Setzen Sie das Gerät keinem Regen aus.



Halten Sie Ihre Hände vom Messerbereich fern, solange die Messer sich drehen oder der Gartenhäcksler an das Stromnetz angeschlossen ist. Die Messer laufen nach dem Ausschalten des Gartenhäckslers noch einige Sekunden lang nach.



Bevor Sie irgendwelche Wartungsarbeiten vornehmen, schalten Sie das Gerät aus und ziehen Sie den Netzstecker.



Tragen Sie bei der Verwendung dieses Geräts eine Schutzbrille!



Tragen Sie bei der Verwendung dieses Geräts einen Gehörschutz!



Tragen Sie bei der Verwendung dieses Geräts Handschuhe!

- ◆ Vergewissern Sie sich vor der Inbetriebnahme, daß das Gerät auf einer festen, waagerechten Fläche aufgestellt ist.
- ◆ Zum Schutz vor gelegentlich herausgeworfenen Splittern schauen Sie nie direkt in die Austrittsöffnung, während der Gartenhäcksler läuft.
- ◆ Versuchen Sie nie, Knochen, Steine, Glas, Metall, Kunststoffe oder Textilabfälle zu häckseln.



- ◆ Untersagen Sie Kindern sowie jeglicher Person, die diese Anleitung nicht gelesen hat oder sich mit dem Gerät nicht auskennt, die Verwendung dieses Gerätes.
- ◆ Denken Sie daran, daß der Benutzer für Unfälle und Schäden haftet.

## ELEKTRISCHE SICHERHEIT

Der Elektromotor wurde für nur eine bestimmte Spannung konzipiert. Überprüfen Sie deswegen, ob die Netzspannung der auf dem Typenschild angegebenen Spannung entspricht.



Der Anschluß dieses Geräts muß mit einem Schutzleiter versehen sein.



Bei Ersatz des Netzkabels achten Sie auf Verwendung des Schweizer Netzsteckers: Typ 12 für Geräte Klasse I (Schutzleiter)

## Verwendung eines Verlängerungskabels

Verwenden Sie immer ein zugelassenes, dreiadriges Verlängerungskabel, das für die Leistungsaufnahme des Geräts ausreichend ist (vgl. technische Daten). Das Verlängerungskabel muß sich für den Einsatz im Freien eignen und entsprechend gekennzeichnet sein. Der Mindest-Leiterquerschnitt beträgt 1,5 mm<sup>2</sup>. Rollen Sie das Kabel bei Verwendung einer Kabelrolle immer völlig aus.

## INHALT DER VERPACKUNG

Die Verpackung enthält:

- 1 Gartenhäckslergehäuse mit Einfülltrichter
- 3 Beine
- 3 Befestigungsschrauben für Beine
- 1 Innensechskantschlüssel
- 1 Bedienungsanleitung

- ◆ Packen Sie sorgfältig alle Teile aus.

## GERÄTEBESCHREIBUNG (Abb. A)

- 1. Ein-/Aus-Schalter
- 2. Gehäuse
- 3. Einfülltrichter
- 4. Hinteres Bein
- 5. Vordere Beine
- 6. Befestigungsschraube für Beine
- 7. Knebelschraube

## MONTAGE



Vergewissern Sie sich vor der Montage, daß das Gerät ausgeschaltet ist und daß der Netzstecker gezogen wurde.

### Montieren der Beine (Abb. B, D1 & D2)

- ◆ Lösen Sie die Knebelschraube (7) and entfernen Sie den Einfülltrichter (3) (Abb. D1 & D2).
- ◆ Stellen Sie das Gartenhäckslergehäuse mit der Oberseite nach unten auf den Boden.
- ◆ Stecken Sie das hintere Bein (4) gemäß der Abbildung in die entsprechende Öffnung im Gehäuse (2). Richten Sie die Gewindebohrung (11) mit der unteren Kante des Schlitzes (12) aus.
- ◆ Befestigen Sie das Bein mit einer Befestigungsschraube (6).
- ◆ Stecken Sie die beiden vorderen Beine (5) gemäß der Abbildung in die entsprechenden Öffnungen im Gehäuse (2). Richten Sie die Gewindebohrung (11) mit der unteren Kante des Schlitzes (12) aus.
- ◆ Befestigen Sie die Beine jeweils mit einer Befestigungsschraube (6).
- ◆ Stellen Sie den Gartenhäcksler in die aufrechte Position und bringen Sie den Einfülltrichter wieder an. Ziehen Sie die Knebelschraube fest an.

## GEBRAUCH



- ◆ Beschleunigen Sie den Arbeitsvorgang nicht mit Gewalt. Vermeiden Sie eine Überlastung des Gerätes.
- ◆ Schalten Sie den Gartenhäcksler nicht aus, bevor er vollständig entleert ist. Andernfalls kann das Material den Gartenhäcksler verstopfen, so daß er sich nur schwer erneut starten läßt.
- ◆ Entfernen Sie vor dem Häckseln von Pflanzenwurzeln Erde und Steine.
- ◆ Halten Sie Äste beim Einführen in den Gartenhäcksler gut fest.

### Ein- und Ausschalten (Abb. C)

- ◆ Zum Einschalten des Geräts stellen Sie den Ein-/Aus-Schalter (1) in die Position I.

## DEUTSCH

- ◆ Zum Ausschalten des Geräts stellen Sie den Ein-/Aus-Schalter in die Position **O**.

### **Ratschläge für optimale Arbeitsergebnisse**

- ◆ Häckseln Sie trockenes Material zum Schluß, um so feuchte Materialreste aus dem Gartenhäcksler zu entfernen.
- ◆ Vermeiden Sie, daß Materialien vor dem Häckseln zu lange liegenbleiben und bereits zu verrotten anfangen.
- ◆ Sie können gehäckselte Materialien ein zweites Mal häckseln, um ihr Volumen weiter zu reduzieren.
- ◆ Schlagen Sie in der Tabelle am Ende dieses Textes nach.

### **WARTUNG**

Ihr Black & Decker Gerät wurde für eine lange Lebensdauer und einen möglichst geringen Wartungsaufwand entwickelt. Ein dauerhafter, einwandfreier Betrieb setzt eine regelmäßige Reinigung voraus.



Bevor Sie irgendwelche Wartungsarbeiten vornehmen, schalten Sie das Gerät aus und ziehen Sie den Netzstecker.

- ◆ Nach dem Gebrauch öffnen Sie den Einfülltrichter wie im folgenden beschrieben. Reinigen und trocknen Sie das Gehäuse sowie den Messerbereich. Vermeiden Sie ein Berühren der Messer.
- ◆ Überprüfen Sie regelmäßig, ob die Messer noch scharf sind. Ersatzmesser sind im Handel oder beim Black & Decker Kundendienst erhältlich.  
Das Austauschen der Messer wird im folgenden beschrieben.

### **Entfernen des Einfülltrichters (Abb. D1 & D2)**

Sie müssen den Einfülltrichter entfernen, um Zugang zum Messerbereich zu erhalten.



Vergewissern Sie sich, daß das Gerät ausgeschaltet ist und daß der Netzstecker gezogen wurde.

- ◆ Lösen Sie die Knebelschraube (7).
- ◆ Schwenken Sie den Einfülltrichter (3) nach hinten (A), schieben Sie ihn nach vorne (B) und nehmen Sie ihn nach oben (C) ab.
- ◆ Zum Montieren des Einfülltrichters gehen Sie in umgekehrter Reihenfolge vor.

### **Austauschen der Messer (Abb. D1 - D4)**

Wenn eine Seite der Wendemesser stumpf geworden ist, können Sie die andere Seite verwenden.



- ◆ Vergewissern Sie sich, daß das Gerät ausgeschaltet ist und daß der Netzstecker gezogen wurde.
- ◆ Seien Sie vorsichtig, damit Sie sich nicht schneiden. Tragen Sie möglichst Arbeitshandschuhe.

### **Entfernen**

- ◆ Entfernen Sie den Einfülltrichter, wie im vorigen beschrieben.
- ◆ Arretieren Sie die Messerscheibe mit Hilfe eines Holzklotzes (8). Vgl. Abb. D3.
- ◆ Entfernen Sie die Messer (9), indem Sie die Innensechskantschrauben (10) mit Hilfe des im Lieferumfang enthaltenen Innensechskantschlüssels lösen (Abb. D4).

### **Montieren**

Zum Montieren der Messer gehen Sie folgendermaßen vor:

- ◆ Bringen Sie die Messer mit der Schneide nach unten auf der Messerscheibe an.  
Die Bohrungen im Messer müssen mit denen in der Scheibe fluchten.
- ◆ Befestigen Sie die Messer (9), indem Sie die Innensechskantschrauben (10) fest anziehen.
- ◆ Entfernen Sie den Holzklotz (8).
- ◆ Bringen Sie den Einfülltrichter (3) wieder an und ziehen Sie die Knebelschraube (7) fest (Abb. D1 & D2).

### **Erneutes Starten im Falle einer Verstopfung**

Bei Überlastung des Motors wird das Gerät automatisch ausgeschaltet.

- ◆ Lassen Sie den Motor einige Minuten lang abkühlen.

Falls der Motor sich immer noch nicht starten läßt:



- ◆ Vergewissern Sie sich, daß das Gerät ausgeschaltet ist und daß der Netzstecker gezogen wurde.
- ◆ Seien Sie vorsichtig, damit Sie sich nicht schneiden. Tragen Sie möglichst Arbeitshandschuhe.

- ◆ Entfernen Sie den Einfülltrichter, wie im vorigen beschrieben.
- ◆ Entfernen Sie sorgfältig das Material aus dem Gartenhäcksler.
- ◆ Bringen Sie den Einfülltrichter wieder an, wie im vorigen beschrieben.
- ◆ Stecken Sie den Netzstecker wieder in die Steckdose und schalten Sie das Gerät ein.

**UMWELTSCHUTZ**



Falls Sie Ihr Gerät eines Tages ersetzen möchten oder keine Verwendung mehr dafür haben, denken Sie bitte an den Umweltschutz. Black & Decker nimmt Ihre Black & Decker Altgeräte gern zurück und sorgt für eine umweltfreundliche Entsorgung.

**Technische Daten**

	GS1400	
Spannung	V	230
Abgabeleistung	W	1.400
Gewicht	kg	15

**GARANTIE**

Sollte Ihr Black & Decker Gartengerät innerhalb von 12 Monaten nach dem Kaufdatum einen Defekt aufweisen, der auf einen Material- oder Fertigungsfehler zurückzuführen ist, garantieren wir Ihnen die kostenlose Reparatur oder den kostenlosen Ersatz des Geräts. Es gelten folgende Voraussetzungen:

- ◆ Sie schicken das Gerät mit dem Kaufbeleg an unseren Zentralkundendienst.
- ◆ Das Gerät wurde ausschließlich entsprechend der Endverbraucher-Einstufung verwendet.
- ◆ Das Gerät wurde nicht vermietet.

- ◆ Es wurden keine Reparaturversuche von anderen als den autorisierten Reparaturwerkstätten vorgenommen. Diese Garantie wird als zusätzliche Leistung angeboten und geht über die gesetzlichen Verpflichtungen hinaus.

**Garantiebestimmungen**

Folgende Defekte sind von der Garantie ausgeschlossen:

- ◆ Abgenutzte bzw. beschädigte Messer, Nylon-Schneidfaden, Sägeketten und Netzkabel. Diese Teile werden als Verschleißteile betrachtet, die sich bei normalem Gebrauch abnutzen.
- ◆ Defekte, die auf unsachgemäße Behandlung zurückzuführen sind.
- ◆ Defekte, die auf Nichteinhaltung der Vorschriften und Hinweise in dieser Anleitung zurückzuführen sind.

**Es sind nur Black & Decker Zubehör- und Ersatzteile zu verwenden, die von Black & Decker ausdrücklich als zum Betrieb mit dem betreffenden Gerät geeignet bezeichnet werden. Andernfalls können Leistungseinbußen eintreten und erlischt die Garantie.**

**KUNDENDIENST**

Einzelheiten zum Black & Decker Kundendienst finden Sie im Internet unter [www.2helpU.com](http://www.2helpU.com). Sie können sich auch über die Adresse hinten in dieser Anleitung an unseren Kundendienst oder an Ihren Händler wenden.

Sollte Ihr Gerät einen Defekt aufweisen, so schicken Sie es bitte mit einer genauen Fehlerbeschreibung an unseren Zentralkundendienst. Falls Sie Anspruch auf Garantieleistungen machen, legen Sie dem Gerät bitte unbedingt einen Kaufbeleg bei.

## DEUTSCH

### RATSchLÄGE FÜR OPTIMALE ARBEITSERGEBNISSE

Material	Empfohlener Materialzustand zum Häckseln	Hinweise
Zweige und dünne Äste	Wie geschnitten	Vermeiden Sie eine Überlastung beim Zuführen.
Dicke Äste < 25 mm	Wie geschnitten	Seitenzweige abschneiden Vermeiden Sie eine Überlastung beim Zuführen. Halten Sie die Äste gut fest.
Blumenbeetbepflanzung, Unkraut, Strauchwerk	Wie geschnitten, mitteltrocken	Entfernen Sie Erde und Steine von Pflanzenwurzeln. Häckseln Sie kein Unkraut mit Samen.
Frisches Laub, Heckenschnitt, Gemüsereste	Wie geschnitten, mit trockener Oberfläche	Beim Häckseln sehr feuchten Materials häckseln Sie in regelmäßigen Abständen auch trockene Materialien, um das Gerät zu reinigen.
Papier und Pappe	Sehr trocken, leicht gerollt	Häckseln Sie keine feuchten Materialien vor Papier und Pappe.
Faseriges Laub, langes Gras	Sehr trocken	Schneiden Sie diese Materialien vor dem Häckseln klein.

Folgende Materialien eignen sich zum Kompostieren, ohne daß sie gehäckselt werden müssen:

- Grasschnitt
- Weiche Pflanzenreste, vor allem wenn naß oder bereits ankompostiert
- Feuchtes Papier und feuchte Pappe

### WEITERE GARTENGERÄTE

Black & Decker bietet ein großes Sortiment an Gartengeräten an, die die Gartenarbeit erheblich erleichtern. Für nähere Informationen zu den folgenden Geräten wenden Sie sich bitte an den Black & Decker Kundendienst (Adresse hinten in dieser Anleitung) oder an Ihren Händler.

Rasentrimmer	Kettensägen
Akku-Strauchscheren	Akku-Grasscheren
Heckenscheren	Rasenmäher
Rasenlüfter	Laubsauger
Häcksler	

Nicht alle Produkte sind in allen Ländern erhältlich.

## BROYEUR GS1400

### FELICITATIONS !

Vous avez choisi un outil Black & Decker. Notre but est de fournir des outils de qualité au meilleur prix. Nous espérons que vous profiterez de cet outil pendant de longues années.

### DECLARATION DE CONFORMITE CE



GS1400

Black & Decker déclare que ces outils sont conformes aux normes: 98/37/CEE, 89/336/CEE, 73/23/CEE, DIN VDE 0730, DIN 11004

Niveau de pression acoustique, mesuré suivant la norme DIN 11004:

	GS1400
$L_{pA}$ (pression acoustique) dB(A)	88,1
$L_{WA}$ (puissance acoustique) dB(A)	109,4



Prendre les mesures nécessaires pour la protection de l'ouïe lorsque le niveau de pression acoustique est supérieur à 85 dB(A).

Niveau de vibration main/bras selon la norme DIN 11004:

	GS1400
	4,6 m/s <sup>2</sup>

Brian Cooke  
 Directeur du Développement  
 Spennymoor, County Durham DL16 6JG,  
 Royaume-Uni

### UTILISATION PREVUE

Votre broyeur de jardin Black & Decker GS1400 a été conçu pour le broyage de la plupart des ordures ménagères et des résidus du jardin, y compris l'élagage, la taille des haies, des branches et autres résidus organiques ainsi que le papier et le carton. Les résidus broyés sont idéaux pour la fabrication de compost ou pour réduire le volume d'ordures afin de les évacuer plus facilement. Ce broyeur de jardin est conçu pour une utilisation domestique uniquement. Il est prévu pour être utilisé de façon intermittente: le temps d'alimentation en matériau recommandé représente 40% de la durée totale de fonctionnement du broyeur. Le tri et le ramassage des matériaux fourniront normalement un temps de repos suffisant.

### INSTRUCTIONS DE SECURITE

#### Symboles de prévention

Les symboles suivants sont utilisés dans le présent manuel:



Indique qu'en cas de non-respect des instructions du présent manuel, il y a risque de blessure, danger de mort ou risque de dégradation de l'outil.



Indique le risque de décharge électrique.



Lire le manuel avant d'utiliser l'outil.

#### Connaissez votre outil



♦ **Attention!** Lors de l'utilisation d'outils électriques, observez les consignes de sécurité fondamentales, y compris celles qui suivent afin de réduire les risques d'incendie, de décharges électriques, de blessures et de dommages matériels.

## FRANÇAIS

- ◆ Lisez et observez attentivement les instructions avant d'utiliser l'outil.
- ◆ Avant d'utiliser l'outil, assurez-vous de savoir comment mettre votre outil à l'arrêt en cas d'urgence.
- ◆ Conservez ces instructions.

### Généralités

#### 1. Tenez compte des conditions ambiantes

N'exposez pas l'outil à la pluie. N'exposez pas l'outil à l'humidité. Veillez à ce que l'aire de travail soit bien éclairée. N'utilisez pas l'outil s'il existe un risque d'incendie ou d'explosion, par exemple en présence de liquides ou de gaz inflammables. Maintenez l'aire de travail libre de déchets et d'obstacles.

#### 2. Tenez les enfants éloignés

Ne laissez pas les enfants, les visiteurs ou les animaux s'approcher de l'aire de travail, toucher l'outil ou le câble d'alimentation.

#### 3. Portez des vêtements de travail appropriés

Ne pas porter de vêtements flottants ou de bijoux. Ils pourraient être happés par les pièces en mouvement. Lors de travaux à l'extérieur, il est recommandé de porter des gants en caoutchouc et des chaussures à semelle anti-dérapante. Le cas échéant, attachez vos cheveux s'ils sont longs, ou couvrez vous la tête.

#### 4. Protection

Portez toujours des lunettes de protection. Portez des lunettes de protection et un masque pour protéger le visage si le travail exécuté produit de la poussière ou des copeaux volants. Portez des protections auditives lorsque le niveau sonore se révèle gênant.

#### 5. Protégez-vous des décharges électriques.

Évitez de toucher des surfaces reliées à la terre (p.e. grillages métalliques, lampadaires, etc.) Utilisez un interrupteur de protection contre les courants de court-circuits à haute sensibilité (30 mA/30 mS) pour améliorer la sécurité électrique.

#### 6. Adoptez une position confortable

Toujours tenir les deux pieds à terre et garder l'équilibre.

#### 7. Faites preuve de vigilance

Observez votre travail.

Faites preuve de bon sens. Ne pas employer l'outil en cas de fatigue.

#### 8. Fixez bien la pièce à travailler

Pour plus de sécurité, fixez la pièce à travailler avec un dispositif de serrage ou un étau.

Ainsi, vous aurez les deux mains libres pour manier l'outil.

#### 9. Enlevez les clés et outils de réglage

Avant de mettre l'outil en marche, retirez les clés et outils de réglage.

#### 10. Rallonges

Vérifiez la rallonge avant de l'utiliser et remplacez-la en cas de dommage. Utilisez exclusivement des rallonges pour l'extérieur.

#### 11. Utilisez l'outil adéquat

Le domaine d'utilisation de l'outil est décrit dans le présent manuel. Ne pas utiliser d'outils ou d'accessoires de trop faible puissance pour exécuter des travaux lourds.

L'utilisation d'accessoires autres que ceux recommandés dans le présent manuel pourrait entraîner un risque de blessure.

Ne forcez pas l'outil.

**Attention!** Utilisez l'outil conformément à sa destination.

#### 12. Contrôlez les dommages éventuels de votre outil

Avant d'utiliser l'outil et le câble d'alimentation, vérifiez soigneusement qu'ils ne sont pas endommagés.

Vérifiez l'alignement des pièces en mouvement, leur prise et toute rupture de pièces, tout dommage des protections et des interrupteurs et toute autre condition pouvant affecter le fonctionnement de l'outil.

Veillez à ce que l'outil fonctionne correctement et qu'il exécute les tâches pour lesquelles il est prévu. Ne pas utiliser l'outil si une pièce est défectueuse. Ne pas utiliser l'outil si l'interrupteur marche/arrêt ne fonctionne pas.

Faites réparer ou échangez toute pièce endommagée par un service de réparation agréé. Ne tentez jamais de le réparer vous-même. Si le câble d'alimentation est endommagé, il doit être remplacé par un réparateur agréé pour éviter tout accident.

**13. Retirez la fiche de l'outil**

Retirez la fiche de l'outil lorsque l'outil n'est pas utilisé, avant de changer toute pièce de l'outil ou tout accessoire et avant de procéder à l'entretien.

**14. Évitez tout démarrage involontaire**

Ne portez pas l'outil avec un doigt sur l'interrupteur marche/arrêt. Assurez-vous que l'outil est en position d'arrêt avant de le brancher.

**15. Ne tirez pas sur le câble d'alimentation**

Ne portez jamais l'outil par le câble et ne tirez pas sur celui-ci pour le débrancher de la prise. Préservez le câble de la chaleur, de l'huile et des arêtes tranchantes.

**16. Rangez vos outils dans un endroit sûr**

Lorsque vous n'utilisez pas vos outils, rangez-les dans un endroit sec, fermé ou élevé, hors de portée des enfants.

**17. Entretenez vos outils avec soin**

Maintenez vos outils affûtés et propres afin de travailler mieux et plus sûrement. Suivez les instructions d'entretien et de changement d'accessoires. Maintenez les poignées et les interrupteurs secs, propres et exempts d'huile et de graisse.

**18. Réparations**

Cet outil est conforme aux conditions de sécurité requises. Les réparations devront uniquement être effectuées par des personnes qualifiées utilisant des pièces de rechange d'origine ; en cas contraire, cela se révélerait très dangereux pour l'utilisateur.

**Instructions de sécurité supplémentaires pour les broyeur**

Lisez le manuel avant l'emploi.



Danger –lames tournantes. Maintenez vos mains et pieds à distance des orifices.



Ne jamais faire fonctionner le broyeur lorsque le récepteur de résidu n'est pas en place et bien attaché.



N'exposez pas l'outil à la pluie.



Ne jamais mettre les mains dans la zone de coupe alors que les lames fonctionnent ou si le broyeur est branché. Les lames continueront de fonctionner pendant quelques secondes après que le broyeur ait été éteint.



Avant d'effectuer tout entretien, éteignez et débranchez l'outil.



Porter des lunettes de sécurité lorsque vous utilisez cet outil.



Porter des protections auditives lorsque vous utilisez cet outil.



Porter des gants lorsque vous utilisez cet outil.

- ♦ Avant de le mettre en marche, assurez-vous que l'outil est bien placé sur une surface ferme et de niveau.
- ♦ Ne jamais regarder directement dans l'orifice pendant que le broyeur fonctionne car des débris peuvent être éjectés.
- ♦ Ne jamais tenter de broyer des os, des pierres, du verre, du métal, du plastique ou des chiffons.
- ♦ Ne laissez jamais aucun enfant ou aucune personne mettre cet outil en marche sans avoir lu le manuel d'instructions ou sans être familiarisé avec l'outil.
- ♦ Souvenez-vous que l'utilisateur peut être tenu responsable de tout accident ou dommage subi par des tiers ou par des biens appartenant à des tiers.


**SECURITE ELECTRIQUE**

Le moteur électrique a été conçu pour une seule tension. Vérifiez si la tension secteur correspond à la tension indiquée sur la plaque d'identification.



Cet outil doit être branché à la terre.

## FRANÇAIS

-  Toujours utiliser la fiche prescrite lors du remplacement du câble d'alimentation.  
Type 12 pour la classe I - conducteur de terre

### Câbles de rallonge

Utilisez un câble de rallonge à 3 fils adapté pour la puissance absorbée de cet outil (voir les caractéristiques techniques). A l'extérieur, n'utiliser que des câbles de rallonge homologués portant le marquage correspondant. La section minimum du conducteur est de 1,5 mm<sup>2</sup>. En cas d'utilisation d'un dévidoir, toujours déroulez le câble complètement.

### CONTENU DE LA BOITE

La boîte contient :

- 1 Corps principal du broyeur et récepteur de résidus
  - 3 Pieds
  - 3 Vis de fixation pour les pieds
  - 1 Clé Allen
  - 1 Manuel d'instructions
- ◆ Déballez soigneusement toutes les pièces.

### APERÇU (fig. A)

1. Interrupteur marche/arrêt
2. Corps principal
3. Récepteur de résidus
4. Pied arrière
5. Pieds avant
6. Vis de fixation pour les pieds
7. Ecrou papillon

### ASSEMBLAGE



Avant l'assemblage, assurez-vous que l'outil est éteint et débranché.

### Montage des pieds (fig. B, D1 & D2)

- ◆ Desserrez l'écrou papillon (7) et retirez le récepteur de résidus (3) (fig. D1 & D2).
- ◆ Tournez le broyeur la tête vers le bas et posez-la sur le sol.
- ◆ Insérez le pied arrière (4) dans l'ouverture correspondante de l'élément principal (2) comme indiqué.

Alignez le trou de la vis (11) avec la partie inférieure de l'encoche (12)

- ◆ Fixez le pied avec une vis de fixation (6).
- ◆ Insérez les deux pieds avant (5) dans les ouvertures correspondantes de l'élément principal (2) comme indiqué. Alignez le trou de la vis (11) avec la partie inférieure de l'encoche (12)
- ◆ Fixez chaque pied avec une vis de fixation (6).
- ◆ Remettez le broyeur en position droite et remplacez le récepteur de résidus.  
Fixez correctement l'écrou papillon.

### UTILISATION



- ◆ Laissez l'outil fonctionner à sa propre vitesse. Ne le surchargez pas.
- ◆ N'éteignez pas le broyeur avant qu'il soit complètement vide, car il pourrait s'obstruer ce qui rendrait son redémarrage difficile.
- ◆ Enlevez la terre et les pierres autour des racines et des plantes avant de broyer.
- ◆ Tenez fermement les branches lorsque vous les introduisez dans le broyeur.

### Démarrage et arrêt (fig. C)

- ◆ Pour démarrer l'outil, mettez l'interrupteur marche/arrêt (1) sur la position I.
- ◆ Pour éteindre l'outil, mettez l'interrupteur marche/arrêt sur la position O.

### Conseils pour une utilisation optimale

- ◆ Coupez les matériaux secs en dernier car cela aidera à supprimer les matériaux humides à l'intérieur du broyeur.
- ◆ Ne laissez pas les matériaux s'empiler et se transformer en compost avant de les avoir déchetés.
- ◆ Vous pouvez ré-introduire les matériaux déjà broyés dans le broyeur afin de réduire encore plus leur volume.
- ◆ Reportez-vous au graphique à la fin de ce manuel.

### ENTRETIEN

Votre outil Black & Decker a été conçu pour fonctionner durablement avec un minimum d'entretien.



Un fonctionnement continu satisfaisant dépend d'un nettoyage régulier et d'un entretien de l'outil approprié.



Avant d'effectuer tout entretien, éteignez et débranchez l'outil.

- ◆ Après utilisation, ouvrez le récepteur de résidus comme indiqué ci-dessous. Nettoyez et séchez l'extérieur et la zone des lames. Évitez les lames.
- ◆ Vérifiez régulièrement que les lames sont aiguisées. Des lames de rechange sont disponibles chez les agents de réparation Black & Decker. Pour remplacer les lames, veuillez suivre les instructions ci-dessous.

#### Retrait du récepteur de résidus (fig. D1 & D2)

Vous aurez besoin de retirer le récepteur afin d'accéder à la zone des lames.



Assurez-vous que l'outil soit éteint et débranché.

- ◆ Desserrez l'écrou papillon (7).
- ◆ Faites basculer le récepteur de résidus (3) (A), faites-le glisser vers l'avant (B) et soulevez-le (C).
- ◆ Pour remettre le récepteur de résidus, veuillez procéder à l'envers.

#### Remplacement des lames (fig. D1 - D4)

Les lames peuvent être utilisées des deux côtés. Lorsqu'un côté s'est émoussé, vous pouvez utiliser l'autre côté.



- ◆ Assurez-vous que l'outil soit éteint et débranché.
- ◆ Prenez garde de ne pas vous couper. Portez de préférence des gants.

#### Retrait

- ◆ Retirez le récepteur de résidus comme indiqué ci-dessus.
- ◆ Verrouillez le disque des lames en utilisant un morceau de bois (8) comme expliqué (fig. D3).
- ◆ Retirez les lames (9) en desserrant les vis Allen (10) et en utilisant la clé Allen fournie (fig. D4).

#### Remise en place

Pour remettre les lames en place :

- ◆ Placez les lames sur le disque, le côté meulé vers le bas. Les trous dans les lames doivent être alignés avec ceux dans le disque.
- ◆ Fixez fermement les lames (9) en serrant les vis Allen (10).
- ◆ Retirez le morceau de bois (8).
- ◆ Remplacez le récepteur de résidus (3) et serrez l'écrou papillon (7) (fig. D1 & D2).

#### Redémarrage d'un broyeur obstrué

Si le moteur est surchargé, l'outil s'éteindra automatiquement.

- ◆ Laissez le moteur refroidir pendant quelques minutes.

Si le moteur refuse toujours de démarrer :



- ◆ Assurez-vous que l'outil soit éteint et débranché.
- ◆ Prenez garde de ne pas vous couper. Portez de préférence des gants.
- ◆ Retirez le récepteur de résidus comme indiqué ci-dessus.
- ◆ Retirez avec soin tous les matériaux du broyeur.
- ◆ Remettez le récepteur de résidus comme indiqué ci-dessus.
- ◆ Branchez l'outil et allumez-le.

#### PROTECTION DE L'ENVIRONNEMENT



Si vous décidez de remplacer votre outil, ou si vous n'en avez plus l'utilité, pensez à la protection de l'environnement avant de le jeter. Les services agréés Black & Decker reprennent tous les anciens outils Black & Decker et s'assurent qu'ils seront détruits en respectant l'environnement.

#### Caractéristiques techniques

	GS1400	
Tension	V	230
Puissance utile	W	1.400
Poids	kg	15

## FRANÇAIS

### GARANTIE

Si votre produit Black & Decker était défectueux dans les 12 mois suivant la date d'achat, nous vous garantissons le remplacement de toutes les pièces défectueuses ou l'échange du produit gratuitement, aux conditions suivantes:

- ◆ Le produit nous a été renvoyé ou a été renvoyé à l'un de nos agents de réparation agréés avec une preuve d'achat.
- ◆ Le produit a été utilisé dans les conditions d'utilisation prévues.
- ◆ Le produit n'a pas été utilisé dans un but de location.
- ◆ Des réparations n'ont pas été effectuées par toute personne autre que nos agents de réparation agréés.
- ◆ Le défaut provient d'une usure normale.

La garantie légale couvrant les défauts ou vices cachés (France: article 1641 et suivants du code civil) est applicable en tout état de cause.

La garantie est effective dans la mesure où ce produit est retourné, non démonté, à l'une de nos stations services agréées, il doit être accompagné d'un avis indiquant les anomalies constatées ainsi que d'une preuve de garantie (certificat de garantie dûment rempli et portant le cachet du revendeur ou ticket de caisse).

#### **La politique de garantie**

Les défauts suivants ne sont pas couverts par la garantie ci-dessus :

- ◆ Remplacement des lames usées ou endommagées, des fils de nylon, des chaînes et des cordons d'alimentation. Ces articles sont considérés comme des articles pouvant être remplacés et s'abîmant suite à une utilisation normale.
- ◆ Défauts résultant d'un choc brutal ou d'un abus évident.
- ◆ Défauts dus à une utilisation non conforme aux instructions et aux recommandations contenues dans ce manuel.

**L'utilisation d'accessoires et de pièces autres que Black & Decker peut réduire la performance de l'outil ou endommager le produit et entraînera la nullité de la garantie.**

### SERVICE APRES-VENTE

Tous les détails sur notre service après-ventes sont disponibles sur Internet à l'adresse **www.2helpU.com**. Vous pouvez également contacter notre Centre de Service et d'Informations à l'adresse indiquée à la fin de ce manuel.

Si votre produit a besoin d'être réparé, veuillez l'envoyer ou le porter à un agent de réparation agréé, en fournissant une preuve d'achat si vous demandez une réparation sous garantie.

De plus amples informations peuvent être obtenues directement chez nos agents.

## CONSEILS POUR UNE UTILISATION OPTIMALE

Matériaux	Condition recommandée des matériaux pour le broyage	Remarques
Ramilles et élagages. Branches < 25 mm	Une fois coupées	Alimentez sans surcharger.
	Une fois coupées	Attachez sur le côté. Alimentez sans surcharger. Tenez fermement les branches d'un grand diamètre.
Plates-bandes, mauvaises herbes, arbrisseaux	Comme coupées, assez sec	Nettoyez la terre et les pierres aux pieds des racines. Ne pas broyer les herbes à graines.
Le feuillage fraîchement coupé, la taille de haies, les déchets végétaux	Une fois coupés, aucune humidité en surface	Lorsque vous déchiquetez des matériaux contenant une grande quantité d'eau, introduisez régulièrement des matériaux secs pour nettoyer le broyeur.
Papier et carton	Très sec, enroulé de façon lâche	Ne pas broyer ces matériaux lorsqu'ils sont humides.
Feuillages fibreux, herbes des pampas	Très sec	Découpez dans le sens de la longueur en petits morceaux avant de broyer.

Les matériaux suivants conviennent au compost sans avoir besoin d'être broyés:

- Herbe tondue
- Végétation souple, en particulier lorsqu'elle est humide ou lorsque la décomposition naturelle a commencé
- Papier ou carton humide

## AUTRES OUTILS DE JARDINAGE

Black & Decker propose une gamme entière d'outils de jardinage facilitant l'entretien du jardin. Si vous souhaitez obtenir de plus amples renseignements sur les produits suivants, veuillez contacter notre Centre de Service et d'Information (voir la page d'adresse à la fin de ce manuel) ou vous adresser à votre revendeur Black & Decker local.

Tronçonneuses  
Cisaille à gazon sans fil  
Coupe bordures  
Taille-haies à fil ou sans fil  
Tondeuses  
Aspirateur/souffleur/broyeur  
Broyeurs  
Aérateur Démousseur

Tous les produits ne sont pas disponibles dans tous les pays.

## BIOTRITURATORE GS1400

### CONGRATULAZIONI!

Lei ha scelto un utensile Black & Decker. Il nostro obiettivo é fornire utensili di qualità ad un prezzo contenuto. Desideriamo che questo utensile sia di suo gradimento e lo possa usare per molti anni.

### DICHIARAZIONE CE DI CONFORMITÀ



GS1400

Black & Decker dichiara che questi utensili sono stati costruiti in conformità a:  
98/37/CEE, 89/336/CEE, 73/23/CEE,  
DIN VDE 0730, DIN 11004

Livello di rumorosità, dati ricavati in base alla norma DIN 11004:

			GS1400
$L_{pA}$	(rumorosità)	dB(A)	88,1
$L_{WA}$	(potenza sonora)	dB(A)	109,4



Prendere appropriate misure a protezione dell'udito qualora il livello acustico superasse gli 85 dB(A).

Il valore medio quadratico ponderato dell'accelerazione secondo DIN 11004:

		GS1400
		4,6 m/s <sup>2</sup>

Brian Cooke  
Direttore di Ricerca e Sviluppo  
Spennymoor, County Durham DL16 6JG,  
United Kingdom

### USO PROGETTATO

Il vostro biotrituratore Black & Decker GS1400 é stato progettato per tritare la maggior parte dei rifiuti di cucina e di giardino, includendo rami, siepi ed altri biomateriali di rifiuto, così come carta e cartone. Il materiale tritato é ideale per l'elaborazione di composto per ottenere un volume minore di rifiuti per cui si facilita l'eliminazione. Questo biotrituratore da giardino é stato progettato per un uso individuale. Con una utilizzazione intermittente: il tempo di alimentazione di materiale é del 40% del tempo totale di funzionamento del biotrituratore. Il selezionare e raccogliere il materiale fornisce il tempo necessario di lavoro senza carica.

### ISTRUZIONI DI SICUREZZA

#### Simboli di sicurezza

I seguenti simboli vengono usati nel presente manuale:



Indica rischio di infortunio, pericolo di morte o danno all'apparecchio qualora non ci si attenga alle istruzioni contenute nel presente manuale.



Indica pericolo di scossa elettrica.



Leggere attentamente il manuale prima di utilizzare l'utensile.

#### Conoscere l'utensile



- ◆ **Attenzione!** Quando si impiegano utensili alimentati elettricamente, per ridurre il rischio di incendio, di scosse elettriche e danni a persone e cose é necessario seguire sempre delle precauzioni di sicurezza basilari, incluso le seguenti:
  - ◆ Leggere attentamente le seguenti istruzioni prima di utilizzare l'utensile.

- ◆ Prima di far funzionare l'utensile, assicuratevi di conoscere come spegnere l'utensile in caso di emergenza.
- ◆ Conservare con cura le istruzioni!

### **Norme generali**

#### **1. Tener presenti le caratteristiche dell'ambiente di lavoro**

Non lasciare l'utensile sotto la pioggia. Non usare l'utensile in ambienti carichi di umidità. Tenere ben illuminata l'area di lavoro. Non usare l'utensile quando vi sia rischio di provocare un incendio o una esplosione, per es. in luoghi con atmosfera gassosa o infiammabile. Mantenere l'area di lavoro libera da ostacoli e pulita.

#### **2. Tenere i bambini lontani dall'area di lavoro**

Non permettere a bambini, altre persone o animali di avvicinarsi alla zona di lavoro, toccare l'utensile o il cavo di alimentazione.

#### **3. Usare il vestiario appropriato**

Evitare l'uso di abiti svolazzanti, catenine, ecc. in quanto potrebbero rimanere impigliati nelle parti mobili dell'utensile. Lavorando all'aperto indossare guanti di gomma e scarpe con soles antisdrucciolo. Raccogliere i capelli se si portano lunghi.

#### **4. Protezione personale**

Indossate occhiali di sicurezza. Indossate una mascherina contro la polvere ogni volta che l'uso dell'utensile provochi polvere o schegge. Indossate cuffie acustiche quando considerate che il livello acustico sia troppo alto.

#### **5. Fare attenzione alle scosse elettriche**

Evitare il contatto con le superfici messe a terra (ad esempio guide metalliche, steli di lampade ecc.). La sicurezza elettrica può essere ulteriormente ampliata utilizzando un dispositivo a corrente residua (RCD) ad alta sensibilità (30 mA/30 mS).

#### **6. Non sbilanciarsi**

Mantenere sempre un buon equilibrio evitando posizioni malsicure.

#### **7. Stare sempre attenti**

Prestare attenzione a quanto si sta facendo. Usare il proprio buon senso. Non utilizzare l'utensile quando si è stanchi.

#### **8. Bloccare il pezzo da lavorare**

In caso di necessità, usare pinze o morse per bloccare il pezzo da lavorare. Ciò aumenta la sicurezza e consente di mantenere entrambe le mani libere per operare meglio.

#### **9. Non lasciare sull'utensile chiavi o strumenti di misura**

Prima di mettere in funzione l'utensile abbiate cura di togliere chiavi e altri strumenti.

#### **10. Prolunghe**

Ispezionare la prolunga prima dell'uso e sostituirla se è danneggiata. Utilizzare solo prolunghe destinate all'uso in ambienti esterni.

#### **11. Usare l'utensile adatto**

L'utilizzo previsto è indicato nel presente manuale. Non forzare utensili e accessori di potenza limitata impiegandoli per lavori destinati ad utensili di maggiore potenza. Non forzare l'utensile.

**Attenzione!** L'uso di accessori o attrezzature diversi, o l'impiego del presente utensile per scopi diversi, da quelli raccomandati nel manuale d'uso possono comportare il rischio di infortuni.

#### **12. Controllare che non vi siano parti danneggiate**

Prima dell'uso, ispezionare accuratamente l'utensile e il cavo elettrico per rilevare eventuali danni. Controllate se ci sono parti non allineate o parti mobili con gioco, pezzi rotti, danni alle protezioni o agli interruttori e qualsiasi altra condizione che possa ripercuotere nel funzionamento dell'utensile. Assicuratevi che l'utensile funzionerà adeguatamente e che verrà impiegato per i lavori per cui è stato progettato. Non usate l'utensile se ha qualche parte difettosa. Non usate l'utensile se l'interruttore non è in grado di accenderlo o di spegnerlo. Ogni pezzo difettoso deve essere sostituito o riparato da un tecnico autorizzato. Non riparate voi stessi. Se il cavo di alimentazione è danneggiato, per evitare situazioni pericolose è necessario affidarne la sostituzione a un tecnico autorizzato.

#### **13. Estrarre la spina dalla presa di alimentazione**

Estrarre la spina dalla presa di alimentazione quando l'utensile non è in uso, o prima di cambiare pezzi, accessori o complementi o prima di eseguire lavori di manutenzione.

## ITALIANO

### 14. Evitate di avviare l'utensile quando non è necessario

Non portate l'utensile con il dito sull'interruttore. Prima di collegare l'utensile alla presa, verificare che sia spento.

### 15. Non forzate il cavo di collegamento elettrico

Non sostenere mai l'utensile mediante il cavo né tirare quest'ultimo per estrarne la spina dalla presa. Mantenete il cavo lontano da fonti di calore, olio e spigoli taglienti.

### 16. Custodia dell'elettro utensile dopo l'uso

Quando non vengono usati, gli utensili vanno conservati in un luogo asciutto e inaccessibile (sottochiave o in alto), fuori dalla portata dei bambini.

### 17. Mantenere l'utensile con cura

Mantenere gli utensili da taglio affilati e puliti in modo da ottenere una miglior e più sicura resa. Seguire le istruzioni di manutenzione e cambio di accessori. Mantenere le impugnature e gli interruttori asciutti, puliti e senza tracce di olio o grassi.

### 18. Riparazioni

Questo utensile è conforme ai relativi requisiti di sicurezza. Le riparazioni devono essere eseguite soltanto da personale qualificato e con pezzi di ricambio originali; altrimenti può comportare un grave rischio per l'utente.

#### Istruzioni aggiuntive di sicurezza per biotrituratori



Prima dell'uso leggere il presente manuale.



Pericolo – lame rotanti. Tenere mani e piedi lontani dalle aperture.



Non fate funzionare il biotrituratore se la carcassa d'immissione non è inserita e assicurata.



Non lasciare l'utensile sotto la pioggia.



Non mettete mai le mani nella zona delle lame mentre il biotrituratore è in funzione, o mentre il biotrituratore è attaccato alla corrente. Le lame continuano a girare per alcuni secondi dopo che il biotrituratore viene spento.



Prima di eseguire qualsiasi manutenzione, spengete l'utensile e disinsieritelo dalla spina.



Indossate sempre occhiali di protezione quando fate funzionare questo utensile.



Indossate sempre protezioni acustiche quando fate funzionare questo utensile.



Indossate guanti quando fate funzionare questo utensile.

- ◆ Prima dell'uso, verificare che l'utensile sia collocato su una superficie solida e piana.
- ◆ Non guardate mai direttamente alla bocca d'uscita quando il biotrituratore è in funzione, poiché possono fuoriuscire degli scarti.
- ◆ Non cercate mai di tritare ossa, pietre, vetro, metalli, plastica o stracci.
- ◆ L'uso dell'utensile è vietato a bambini, adulti che non abbiano letto il presente manuale d'istruzioni e a tutti coloro che non abbiano familiarità con l'attrezzo.
- ◆ Ricordare che l'operatore è responsabile dell'esposizione di altre persone o della loro proprietà a eventuali pericoli o incidenti.

#### SICUREZZA ELETTRICA

Il motore elettrico è stato predisposto per operare con un unico voltaggio. Assicuratevi che il voltaggio a disposizione corrisponda a quello indicato sulla targhetta.



L'utensile deve essere collegato a terra.



Per la sostituzione del cavo di alimentazione, utilizzate sempre la spina di tipo prescritto. Tipo 12 per la classe I - (messa a terra)

**Impiego di una prolunga**

Utilizzate soltanto cavi di prolunga a tre fili, di tipo omologato e di dimensione idonee a garantire l'alimentazione elettrica dell'utensile (vedere le caratteristiche tecniche). Si faccia uso soltanto di un cavo di prolunga di tipo idoneo, appositamente previsto e contrassegnato per l'uso esterno. La dimensione minima del conduttore è 1,5 mm<sup>2</sup>. Se si utilizza un avvolgitore, estrarre il cavo per l'intera lunghezza.

**CONTENUTO DELLA SCATOLA**

La scatola contiene:

- 1 Corpo del biotrituratore e carcassa d'immissione
- 3 Gambe
- 3 Viti reggi gambe
- 1 Chiave Allen
- 1 Libretto d'istruzioni

- ◆ Disimballate con cura tutte le parti.

**L'INSIEME (fig. A)**

1. Interruttore acceso/spento
2. Corpo
3. Carcassa d'immissione
4. Gamba posteriore
5. Gambe anteriori
6. Viti di fissaggio gambe
7. Vite a pomo

**MONTAGGIO**

Prima di montarlo assicuratevi che l'utensile sia spento e disinserito.

**Montaggio delle gambe (fig. B, D1 & D2)**

- ◆ Allentate la vite a pomo (7) e togliere la carcassa d'immissione (3) (fig. D1 & D2).
- ◆ Capovolgere il biotrituratore e sistemarlo a terra.
- ◆ Inserite la gamba posteriore (4) nell'apposito foro (2) come indicato. Allineare il foro della vite (11) con la base della fessura (12).
- ◆ Fissate la gamba con una vite di fissaggio (6).
- ◆ Inserite le gambe anteriori (5) negli appositi fori (2) come indicato. Allineare il foro della vite (11) con la base della fessura (12).

- ◆ Fissate ogni gamba con una vite di fissaggio (6).
- ◆ Girate il biotrituratore nel verso giusto e riposizionate la carcassa d'immissione. Fissatela con la vite a pomo.

**IMPIEGO**

- ◆ Lasciate che l'utensile lavori al proprio ritmo. Non sovraccaricarlo.
- ◆ Non spegnete il biotrituratore prima che sia completamente vuoto, altrimenti potrebbe otturarsi ed essere difficoltoso il riavviamento.
- ◆ Togliete la terra e le pietre dalle radici delle piante prima di tritararle.
- ◆ I rami devono essere sorretti con forza quando vengono inseriti nel tritatore.

**Avviamento e spegnimento (fig. C)**

- ◆ Per avviare l'utensile, posizionate l'interruttore (1) sulla posizione **I**.
- ◆ Per spegnere l'utensile posizionate l'interruttore sulla posizione **O**.

**Consigli per un'ottima utilizzazione**

- ◆ Triturate materiale asciutto per ultimo, in quanto aiuterà a pulire dai materiali umidi il tritatore.
- ◆ Non accatastate il materiale o lasciate che si decomponga prima di tritararlo.
- ◆ Potete ritriturare il materiale una seconda volta per ridurre ancor di più il suo volume.
- ◆ Vedere la tabella alla fine di questo testo.

**MANUTENZIONE**

Il vostro utensile Black & Decker è stato progettato per funzionare durante un lungo periodo di tempo con un minimo di manutenzione. Il funzionamento continuo e soddisfacente dipende dall'adeguata cura dell'utensile e da pulizie sistematiche.



Prima di eseguire qualsiasi manutenzione, spegnete l'utensile e disinseritelo dalla spina.

- ◆ Dopo l'uso, aprite la carcassa d'immissione come di seguito indicato. Pulite ed asciugate la carcassa e la zona delle lame. Evitate le lame.

## ITALIANO

- ◆ Verificate regolarmente che le lame siano affilate. Le lame di ricambio sono disponibili presso gli agenti di riparazioni Black & Decker. Per sostituire le lame, seguite le istruzioni riportate di seguito.

### **Togliere la carcassa d'immissione (fig. D1 & D2)**

E' necessario togliere la carcassa d'immissione per accedere alla zona delle lame



Verificare che l'utensile sia spento e disinserito dalla presa.

- ◆ Allentate la vite a pomo (7).
- ◆ Muovete la carcassa (3) all'indietro (A), ed in avanti (B) e sollevatela (C).
- ◆ Per rimettere la carcassa procedere inversamente.

### **Cambiare le lame (fig. D1 - D4)**

Le lame possono usarsi da entrambi i lati. Quando un lato non è più efficiente potete usare l'altro lato.



- ◆ Verificare che l'utensile sia spento e disinserito dalla presa.
- ◆ Fate attenzione a non tagliarvi. E' consigliabile indossare guanti

### **Togliere le lame**

- ◆ Togliete la carcassa d'immissione come indicato
- ◆ Bloccare il disco delle lame con un pezzo di legno (8) come indicato in (fig. D3).
- ◆ Togliere le lame (9) allentando le viti Allen (10) con la chiave Allen fornita (fig. D4).

### **Riposizionamento**

Per riposizionare le lame:

- ◆ Posizionate le lame sul disco con il bordo rivolto verso il basso. I fori delle lame devono allinearsi con quelli del disco.
- ◆ Assicurate le lame (9) stringendo le viti Allen (10).
- ◆ Togliere il pezzo di legno (8).
- ◆ Riposizionate la carcassa d'immissione (3) e stringete la vite a pomo (7) (fig. D1 & D2).

### **Riavviamento di un biotrituratore otturato**

Se il motore è andato in sovraccarico automaticamente si spegnerà.

- ◆ Lasciate raffreddare il motore per alcuni minuti

Se il motore non si riavvia:



- ◆ Verificare che l'utensile sia spento e disinserito dalla presa.
- ◆ Fate attenzione a non tagliarvi. E' consigliabile indossare guanti
- ◆ Togliete la carcassa d'immissione come indicato
- ◆ Togliete con cura tutto il materiale dal tritatore
- ◆ Riposizionate la carcassa d'immissione come descritto
- ◆ Inserite la spina dell'utensile ed avviatelo

### **PROTEZIONE DELL'AMBIENTE**



Se dovete un giorno decidere di sostituire i vostri utensili in quanto non più necessari, ricordate di avere cura dell'ambiente che ci circonda. I centri di assistenza Black & Decker ritireranno i vostri vecchi utensili, smaltendoli in modo ecologico.

### **Dati tecnici**

	GS1400	
Tensione	V	230
Potenza resa	W	1.400
Peso	kg	15

### **GARANZIA**

**Questa garanzia copre per 12 mesi i pezzi di ricambio e la manodopera. Sarà necessario esibire prova della data di acquisto.**

Se il vostro utensile Black & Decker risultasse avere parti difettose a causa dei materiali o per difetti di costruzione nel periodo di garanzia, vi garantiamo la sostituzione gratuita di dette parti oppure, a nostra discrezione, la sostituzione dell'utensile a patto che:

- ◆ L'utensile venga portato ad un centro di assistenza Black & Decker con prova della data di acquisto.
- ◆ L'utensile sia stato acquistato per uso proprio.



- ◆ L'utensile non abbia subito abuso od uso improprio.
- ◆ Non sia stata tentata la riparazione da persone diverse dal nostro personale di assistenza.
- ◆ Il problema non sia dovuto a normale usura.

La garanzia è offerta come un beneficio aggiuntivo rispetto ai vostri diritti legali.

#### ***Estremi della garanzia***

I seguenti difetti non sono coperti da garanzia:

- ◆ Sostituzione di lame usurate o danneggiate, fili di nylon e catene danneggiati durante l'uso o l'immagazzinaggio. Questi vengono considerati normali ricambi soggetti ad usura durante il normale utilizzo.
- ◆ Danni causati da impatti e evidenti abusi.
- ◆ Danni causati da un utilizzo non conforme alle istruzioni ed ai consigli contenuti nel presente manuale.

**L'utilizzo di accessori e ricambi non originali Black & Decker potrebbe danneggiare o peggiorare le prestazioni del vostro utensile Black & Decker e potrebbe invalidare la garanzia.**

#### **SERVIZIO POST-VENDITA**

Sul nostro sito Internet [www.2helpU.com](http://www.2helpU.com) sono disponibili dettagli sul servizio assistenza post-vendita. In alternativa, telefonate al nostro Centro Informazioni e Servizi il cui numero è situato sul retro di questo manuale.

Black & Decker offre un servizio post-vendita nazionale attraverso centri di assistenza diretti.

È nostro obiettivo fornire un servizio eccellente, riparazioni veloci, grande disponibilità di ricambi e accessori.

## ITALIANO

### CONSIGLI PER UNA OTTIMA UTILIZZAZIONE

Materiali	Raccomandati condizioni per tritare	Note
Rametti e legnami	Come da taglio	Alimentate senza sovraccaricare.
Rami < 25 mm	Come da taglio	Togliete i rametti laterali Alimentate senza sovraccaricare. Sorreggere con forza i rami di grande diametro.
Erbe, cespugli	Come da taglio, quasi asciutto	Togliete la terra ed i sassi dalle radici. Non tritate erbacce e seminati.
Fogliame appena colto, siepi, rifiuti vegetali	Come da taglio, senza umidità	Dopo aver tritato materiali con molta umidità, alimentate il trituratore con materiale asciutto per pulire il trituratore.
Carta e cartone	Molto asciutto, leggermente arrotolati	Non tritate dopo materiale umido.
Fogliame fibroso.	Molto asciutto	Tagliate in piccoli pezzi prima di tritare.

I seguenti materiali possono diventare composto senza bisogno di tritarli:

- Erba tagliata
- Vegetazione soffice, specialmente quando è umida o quando è iniziato il processo naturale di decomposizione
- Carta o cartone bagnati

### ALTRI UTENSILI DI GIARDINAGGIO

La Black & Decker ha una gamma completa di utensili per il giardinaggio che rende semplice la vita in giardino. Se desiderate ulteriori informazioni sui seguenti prodotti, vi preghiamo di contattare il nostro Centro D'Informazione e Manutenzione (vedere la pagina degli indirizzi alla fine di questo libretto d'istruzioni) od il vostro rivenditore Black & Decker.

Tosatori a lame o a catena  
Motoseghe  
Scope elettriche  
Tosasiepi a batteria  
Tagliasiepi a batteria  
Tosasiepi  
Tosaerba  
Rastrelli  
Sramatori  
Biotrituratori

Non tutti i prodotti sono disponibili in tutti i paesi.

## HAKSELAAR GS1400

### GEFELICITEERD!

U heeft gekozen voor een machine van Black & Decker. Ons doel is om kwaliteitsproducten te leveren tegen een betaalbare prijs. Wij hopen dat u aan het gebruik van deze machine jarenlang plezier zult beleven.

### EG- VERKLARING VAN OVEREENSTEMMING



GS1400  
Black & Decker verklaart dat deze elektrische machines in overeenstemming zijn met: 98/37/EEG, 89/336/EEG, 73/23/EEG, DIN VDE 0730, DIN 11004

Niveau van de geluidsdruk, gemeten volgens DIN 11004:

GS1400		
L <sub>pA</sub> (geluidsdruk)	dB(A)	88,1
L <sub>WA</sub> (geluidsvermogen)	dB(A)	109,4



Neem de vereiste maatregelen voor gehoorbescherming wanneer de geluidsdruk het niveau van 85 dB(A) overschrijdt.

Gewogen kwadratische gemiddelde waarde van de versnelling overeenkomstig DIN 11004:

GS1400	
	4,6 m/s <sup>2</sup>

Brian Cooke  
Director of Engineering  
Spennymoor, County Durham DL16 6JG,  
United Kingdom

### GEBRUIK VOLGENS BESTEMMING

Uw Black & Decker hakselaar GS1400 is ontworpen voor het versnipperen van het meeste keuken- en tuinafval, waaronder snoeihout, heggensnoeiwerk, takjes en andere organisch tuinafval alsook papier en karton. Het versnipperde afval is ideaal voor composteerdoeleinden of voor het verkrijgen van een geringere omvang voor eenvoudige verwijdering.

Deze hakselaar is uitsluitend bedoeld voor huishoudelijk gebruik. Hij is niet bedoeld voor constante belasting: de aanbevolen materiaalvoedingstijd is 40% van de totale looptijd van de hakselaar. Het uitzoeken en het oppakken van het materiaal zorgt doorgaans voor voldoende onbelaste tijd.

### VEILIGHEIDSVOORSCHRIFTEN

#### Pictogrammen

In deze handleiding worden de volgende pictogrammen gebruikt:



Duidt op mogelijk lichamelijk letsel, levensgevaar of kans op beschadiging van de machine indien de instructies in deze handleiding worden genegeerd.



Geeft elektrische spanning aan.



Lees de handleiding voordat u met de machine gaat werken.

#### Ken uw machine



♦ **Waarschuwing!** Bij het gebruik van elektrische machines dienen ter bescherming tegen brandgevaar, elektrische schok, letsel en materiële schade altijd gepaste veiligheidsmaatregelen in acht te worden genomen, waaronder de volgende veiligheidsvoorschriften.

## NEDERLANDS

- ◆ Lees de gebruiksaanwijzing aandachtig door voordat u met de machine gaat werken.
- ◆ Zorg ervoor dat u voor gebruik weet hoe u de machine in geval van nood uitschakelt.
- ◆ Bewaar deze instructies zorgvuldig!

### Algemeen

#### 1. Houd rekening met omgevingsinvloeden

Stel de machine niet bloot aan regen. Gebruik de machine niet in een vochtige of natte omgeving. Zorg dat de werkomgeving goed is verlicht. Gebruik de machine niet op plaatsen waar brand- of explosiegevaar bestaat, b.v. in de buurt van brandbare vloeistoffen of gassen. Houd de werkomgeving vrij van afval en obstakels.

#### 2. Houd kinderen uit de buurt

Houd kinderen, bezoekers en dieren buiten het werkgebied en laat ze de machine of de elektriciteitskabel niet aanraken.

#### 3. Draag geschikte werkkleding

Draag geen wijde kleding of loshangende sieraden. Deze kunnen door de bewegende delen worden gegrepen. Draag bij het werken buitenshuis bij voorkeur rubber werkhandschoenen en schoenen met profielzolen. Houd lang haar bijeen.

#### 4. Persoonlijke bescherming

Draag altijd een veiligheidsbril. Draag een gezichts- of stofmasker bij werkzaamheden waarbij stofdeeltjes of spanen vrijkomen. Draag altijd gehoorbescherming als het geluidsniveau onaangenaam hoog is.

#### 5. Bescherming tegen elektrische schok

Vermijd aanraking van geaarde oppervlakken (bijv. metalen relingen, lantaampalen, enz.). Elektrische veiligheid kan verder worden verbeterd met behulp van een hooggevoelige (30 mA/30 mS) reststroomschakelaar (RCD).

#### 6. Zorg voor een veilige houding

Zorg altijd voor een juiste, stabiele houding.

#### 7. Blijf voortdurend oplettend

Houd uw aandacht bij uw werk. Ga met verstand te werk. Gebruik de machine niet als u niet geconcentreerd bent.

#### 8. Klem het werkstuk goed vast

Gebruik waar nodig klemmen of een bankschroef om het werkstuk te fixeren. Dit is veiliger, bovendien kan de machine dan met beide handen worden bediend.

#### 9. Verwijder sleutels en hulpgereedschappen

Controleer vóór het inschakelen altijd of sleutels en andere hulpgereedschappen zijn verwijderd.

#### 10. Verlengsnoeren

Inspecteer voor gebruik het verlengsnoer. Vervang het snoer indien het beschadigd is. Gebruik uitsluitend verlengsnoeren die zijn bestemd voor gebruik buitenshuis.

#### 11. Gebruik de juiste machine

Het gebruik volgens bestemming is beschreven in deze handleiding.

Gebruik geen te lichte machine of hulpstukken voor te zwaar werk.

De machine werkt beter en veiliger indien u deze gebruikt voor het beoogde doel.

Overbelast de machine niet.

**Waarschuwing!** Gebruik ter voorkoming van lichamelijk letsel uitsluitend de in deze gebruiksaanwijzing aanbevolen accessoires en hulpstukken.

Gebruik de machine uitsluitend volgens bestemming.

#### 12. Controleer de machine op beschadigingen

Controleer de machine voor gebruik op schade. Controleer of alle bewegende delen correct gemonteerd zijn, of er geen onderdelen gebroken zijn, of er geen beschermkappen en schakelaars beschadigd zijn en of er andere gebreken zijn die invloed op de werking van de machine zouden kunnen hebben.

Vergewis u er van dat de machine correct werkt. Gebruik de machine niet als enig onderdeel defect is. Gebruik de machine niet als de aan/uit-schakelaar niet werkt.

Defecte onderdelen dienen door een erkend servicecentrum te worden gerepareerd of vervangen. Probeer nooit om de machine zelf te repareren. Indien het netsnoer is beschadigd, dient het ter voorkoming van gevaren te worden vervangen door een erkend servicecentrum.

**13. De stekker uit het stopcontact verwijderen**

Verwijder de stekker uit het stopcontact als u de machine niet gebruikt, voordat u gereedschappen, accessoires of onderdelen van de machine verwisselt en voordat u onderhoud aan de machine uitvoert.

**14. Voorkom onbedoeld inschakelen**

Draag de machine niet met uw vingers aan de aan/uit-schakelaar. Wees ervan verzekerd dat de machine is uitgeschakeld voordat u de stekker in het stopcontact steekt.

**15. Misbruik het snoer niet**

Draag de machine nooit aan het snoer. Trek niet aan het snoer om de stekker uit het stopcontact te verwijderen. Houd het snoer uit de buurt van warmtebronnen, olie en scherpe randen.

**16. Berg de machine veilig op**

Indien niet in gebruik, dienen machines te worden opgeborgen in een droge, afsluitbare of hoge plaats, buiten bereik van kinderen.

**17. Onderhoud de machine met zorg**

Houd snijgereedschappen scherp en schoon om beter en veiliger te kunnen werken. Houdt u aan de instructies met betrekking tot het onderhoud en het vervangen van accessoires. Houd de handgrepen en schakelaars droog en vrij van olie en vet.

**18. Reparaties**

Deze machine voldoet aan de geldende veiligheidseisen. Reparaties mogen uitsluitend worden uitgevoerd door bevoegde vakmensen en met behulp van originele reserveonderdelen; anders kan er een aanzienlijk gevaar voor de gebruiker ontstaan.

**Aanvullende veiligheidsinstructies voor hakselaars**



Lees de handleiding voordat u met het product gaat werken.



Gevaar – ronddraaiende messen. Houd handen en voeten uit de buurt van de openingen.



Gebruik de hakselaar alleen als de vultrechter op zijn plaats zit en zorgvuldig is vastgezet.



Stel de machine niet bloot aan regen.



Houd nooit uw handen in de omgeving van de messen terwijl de messen draaien of als de netstekker op het lichtnet is aangesloten. De messen blijven nog een paar seconden draaien nadat de hakselaar is uitgeschakeld.



Zorg vóór aanvang van onderhoudswerkzaamheden dat de machine is uitgeschakeld en de netstekker van het lichtnet is losgekoppeld.



Draag een veiligheidsbril als u deze machine bedient.



Draag gehoorbescherming als u deze machine bedient.



Draag handschoenen als u deze machine bedient.

- ◆ Verzeker u ervan dat de machine voor gebruik is geplaatst op een stevig en vlak oppervlak.
- ◆ Kijk nooit direct in de uitlaatopening terwijl de hakselaar is ingeschakeld, omdat er een terugslag van afval kan optreden.
- ◆ Probeer nooit botten, steen, glas, metaal, plastic of vodden te versnipperen.
- ◆ Laat de machine niet bedienen door kinderen of door personen die deze gebruiksaanwijzing niet hebben gelezen of die niet bekend zijn met de bediening.
- ◆ Onthoud dat de gebruiker verantwoordelijk kan worden gesteld voor ongelukken of gevaren aan andere mensen of hun eigendommen.

## NEDERLANDS

### ELEKTRISCHE VEILIGHEID

De elektromotor is ontwikkeld voor een bepaalde netspanning. Controleer altijd of uw netspanning overeenkomt met de waarde op het typeplaatje.



Deze machine dient op een geaard stopcontact te worden aangesloten.

### Gebruik van verlengsnoeren

Gebruik een goedgekeurd, drie-aderig verlengsnoer dat geschikt is voor het vermogen van de machine (zie technische gegevens). Gebruik buitenshuis uitsluitend voor dit doel goedgekeurde en als zodanig gemerkte verlengsnoeren. De aders moeten minimaal een doorsnede hebben van 1,5 mm<sup>2</sup>. Wanneer het verlengsnoer op een haspel zit, rol het snoer dan helemaal af.

### INHOUD VAN DE VERPAKKING

De verpakking bevat:

- 1 Hakselaarromp met vultrechter
- 3 Poten
- 3 Borgschroeven
- 1 Inbussleutel
- 1 Handleiding

- ◆ Pak zorgvuldig alle onderdelen uit.

### OVERZICHT (fig. A)

1. Aan/uit-schakelaar
2. Romp
3. Vultrechter
4. Achterpoot Voorpoten
5. Voorste poten
6. Borgschroeven
7. Bevestigingsknop

### MONTAGE



Zorg vóór aanvang van de montage dat de machine is uitgeschakeld en de netstekker van het lichtnet is losgekoppeld.

### Monteren van de poten (fig. B, D1 & D2)

- ◆ Draai de bevestigingsknop (7) los en verwijder de vultrechter (3) (fig. D1 & D2).

- ◆ Draai de hakselaar ondersteboven en plaats hem op de grond.
- ◆ Steek de achterpoot (4) in de overeenkomstige opening in de romp (2) zoals afgebeeld. Breng het schroefgat (11) in lijn met de onderkant van de sleuf (12).
- ◆ Zet de poot vast met een borgschroef (6).
- ◆ Steek beide voorpoten (5) in de overeenkomstige openingen in de romp (2) zoals afgebeeld. Breng het schroefgat (11) in lijn met de onderkant van de sleuf (12).
- ◆ Zet elke poot vast met een borgschroef (6).
- ◆ Zet de hakselaar rechtop en breng de vultrechter weer aan. Draai de bevestigingsknop zorgvuldig vast.

### GEBRUIK



- ◆ Laat de machine op haar eigen tempo werken. Niet overbelasten.
- ◆ Schakel de hakselaar niet uit voordat deze helemaal leeg is, aangezien de machine anders verstopt raakt en zich moeilijk opnieuw laat starten.
- ◆ Verwijder grond en stenen van plantenwortels voordat u gaat versnipperen.
- ◆ Houd brede takken stevig vast als u ze in de hakselaar voert.

### Aan- en uitschakelen (fig. C)

- ◆ Om de machine aan te schakelen, zet u de aan/uit-schakelaar (1) in positie I.
- ◆ Om de machine uit te schakelen, zet u de aan/uit-schakelaar in positie O.

### Tips voor optimaal gebruik

- ◆ Versnipper droge materialen op het laatst, om te helpen vochtige materialen uit de machine te verwijderen.
- ◆ Voorkom dat materialen de gelegenheid krijgen om op te hopen en composteren voordat ze versnipperd worden.
- ◆ U kunt versnipperde materialen een tweede keer in de hakselaar voeren om hun omvang verder te reduceren.
- ◆ Zie ook de tabel aan het einde van deze tekst.

## ONDERHOUD

Uw Black & Decker machine is ontworpen om gedurende langere periode te functioneren met een minimum aan onderhoud. Voortdurend tevreden gebruik is afhankelijk van correct onderhoud en regelmatig schoonmaken.



Zorg vóór aanvang van onderhoudswerkzaamheden dat de machine is uitgeschakeld en de netstekker van het lichtnet is losgekoppeld.

- ◆ Open na gebruik de vultrechter zoals hieronder beschreven. Maak de behuizing en de omgeving van de messen schoon en droog. De messen niet aanraken.
- ◆ Controleer regelmatig of de messen scherp genoeg zijn. Vervangende messen zijn verkrijgbaar bij de Black & Decker reparatiewerkplaatsen.  
Voor het vervangen van de messen gaat u te werk zoals hieronder beschreven.

### Verwijderen van de vultrechter (fig. D1 & D2)

U dient de vultrechter te verwijderen om toegang tot de omgeving van de messen te verkrijgen.



Zorg dat de machine is uitgeschakeld en de netstekker van het lichtnet is losgekoppeld.

- ◆ Draai de bevestigingsknop (7) los.
- ◆ Klap de vultrechter (3) achterover (A), schuif hem naar voren (B) en til hem omhoog (C).
- ◆ Om de vultrechter terug te plaatsen, gaat u in omgekeerde volgorde te werk.

### Vervangen van de messen (fig. D1 - D4)

De messen kunnen aan beide zijden worden gebruikt. Als de ene zijde bot wordt, kunt u de andere zijde gebruiken.



- ◆ Zorg dat de machine is uitgeschakeld en de netstekker van het lichtnet is losgekoppeld.
- ◆ Let op dat u zich niet snijdt. Draag bij voorkeur handschoenen.

### Verwijderen

- ◆ Verwijder de vulopening zoals hierboven beschreven.
- ◆ Blokkeer de snijdschijf met behulp van een houtblokje (8) zoals afgebeeld (fig. D3).
- ◆ Verwijder de messen (9) door de inbusschroeven (10) los te draaien met behulp van de meegeleverde inbussleutel (fig. D4).

### Monteren

- ◆ Plaats de messen op de schijf met de snijkant naar beneden gericht. De gaten in de messen moeten in lijn liggen met de gaten in de schijf.
- ◆ Draai de messen (9) stevig aan door de inbusschroeven (10) vast te draaien.
- ◆ Verwijder het houtblokje (8).
- ◆ Plaats de vulopening (3) terug en draai de bevestigingsknop (7) vast (fig. D1 & D2).

### Opnieuw starten van een verstopte hakselaar

Bij overbelasting van de motor wordt de machine automatisch uitgeschakeld.

- ◆ Laat de motor een paar minuten afkoelen.

Als de motor nog steeds niet wil starten:



- ◆ Zorg dat de machine is uitgeschakeld en de netstekker van het lichtnet is losgekoppeld.
- ◆ Let op dat u zich niet snijdt. Draag bij voorkeur handschoenen.
- ◆ Verwijder de vulopening zoals hierboven beschreven.
- ◆ Verwijder voorzichtig alle materiaal uit de hakselaar.
- ◆ Plaats de vulopening terug zoals hierboven beschreven.
- ◆ Sluit de netstekker op het lichtnet aan en schakel de machine in.

## GEBRUIKTE MACHINES EN HET MILIEU



Wanneer uw oude Black & Decker machine aan vervanging toe is, breng deze dan naar een Black & Decker servicecenter voor milieuvriendelijke verwerking.

## NEDERLANDS

### Technische gegevens

		G51400
Spanning	V	230
Afgegeven vermogen	W	1.400
Gewicht	kg	15

### GARANTIE

#### **Black & Decker biedt u een garantie van 12 maanden. Een aankoopbewijs is vereist.**

Mocht uw Black & Decker product binnen 12 maanden na datum van aankoop defect raken tengevolge van materiaal- of constructiefouten, dan garanderen wij de kosteloze vervanging van alle defecte delen of van het gehele product, zulks ter beoordeling van Black & Decker, op voorwaarde dat:

- ◆ Het product aan ons of een erkende reparateur wordt geretourneerd, met bewijs van aankoop.
- ◆ Het product uitsluitend voor consumententoepassingen is gebruikt.
- ◆ Het product niet voor verhuurdoeleinden is gebruikt.
- ◆ Geen reparaties zijn uitgevoerd door onbevoegden.
- ◆ Het defect een gevolg van normale slijtage is.

Deze garantie vormt een aanvulling op uw wettelijke rechten.

#### **Ons garantiebeleid**

De volgende defecten vallen niet onder de garantie:

- ◆ Versleten of beschadigde messen, zaagbladen, nylon snoeren, kettingen en kabels.  
Deze onderdelen zijn bij normaal gebruik onderhevig aan slijtage.
- ◆ Defecten veroorzaakt door vallen, stoten of duidelijk misbruik.
- ◆ Defecten veroorzaakt door het niet opvolgen van de voorschriften en aanbevelingen in deze handleiding.

**Het gebruik van accessoires en onderdelen anders dan die van Black & Decker kan de prestaties van het product verminderen, tot beschadiging leiden en de garantie doen vervallen.**

### KLANTENSERVICE

Nadere informatie over onze service vindt u op Internet: **www.2helpU.com**. U kunt ook contact opnemen met onze service- en informatiecentra. Adresinformatie vindt u achter in deze handleiding.

Black & Decker biedt de klanten service via een landelijk netwerk van servicecentra.

Ons streven is een uitstekende service: snelle reparaties, een uitgebreide voorraad onderdelen en volledige ondersteuning.

Mocht uw machine defect raken, lever hem dan in bij de handelaar bij wie u hem heeft gekocht of stuur hem naar een van onze servicecentra.



**TIPS VOOR OPTIMAAL GEBRUIK**

<b>Materiaal</b>	<b>Aanbevolen staat voor versnippering</b>	<b>Opmerkingen</b>
Takjes en snoeisels	Als geknipt	Voeden zonder te overbelasten.
Takken < 25 mm	Als geknipt	Zijtakjes afknippen. Voeden zonder te overbelasten. Brede takken stevig vasthouden.
Tuinplanten, onkruid, struikgewassen	Als geknipt, tamelijk droog	Grond en stenen van wortels afslaan. Geen onkruid versnipperen dat zaad heeft gevormd.
Versgeknipt gebladerte, heggensnoeisels, keukenafval	Als geknipt, zonder oppervlaktecondens	Voer bij het versnipperen van materialen met een hoge vochtigheidsgraad, regelmatig droog materiaal door om de hakselaar schoon te maken.
Papier en karton	Zeer droog, los gerold	Niet na vochtig materiaal versnipperen.
Vezelig gebladerte, pampagras	Zeer droog	In korte stukken knippen voor versnipperen.

De volgende materialen zijn geschikt voor composteren zonder versnipperen:

- Gemaaid gras
- Zachte vegetatie, vooral in natte omstandigheden of wanneer het natuurlijke rottingsproces is ingezet
- Vochtig papier of karton

**ANDERE MACHINES VOOR GEBRUIK IN DE TUIN**

Black & Decker heeft een compleet scala aan machines die het leven in de tuin vereenvoudigen. Als u meer informatie over de volgende producten wenst, neemt u dan contact op met ons Service- en Informatiecentrum (zie de adrespagina aan het eind van deze handleiding) of uw plaatselijke Black & Decker detailhandelaar.

Strimmers  
 Kettingzagen  
 Accu-bezems  
 Accu-grasscharen  
 Accu-tuinscharen  
 Heggenscharen  
 Grasmaaiers  
 Verticuteerders  
 Bladruimers  
 Hakselaars

Niet ieder product is verkrijgbaar in alle landen.

# BIOTRITURADOR GS1400

## ¡ENHORABUENA!

Ha escogido una herramienta Black & Decker. Nuestro objetivo es ofrecerle herramientas de calidad a un precio asequible y estamos seguros que podrá disfrutar de esta herramienta durante muchos años.

## DECLARACIÓN CE DE CONFORMIDAD



GS1400  
Black & Decker certifica que estas herramientas eléctricas han sido construidas de acuerdo a las normas siguientes: 98/37/CEE, 89/336/CEE, 73/23/CEE, DIN VDE 0730, DIN 11004

El nivel de la presión acústica, medida de acuerdo con DIN 11004:

GS1400		
L <sub>pA</sub> (presión acústica)	dB(A)	88,1
L <sub>WA</sub> (potencia acústica)	dB(A)	109,4



Tome medidas adecuadas para proteger sus oídos cuando la presión acústica exceda el valor de 85 dB(A).

Valor cuadrático medio ponderado en frecuencia de la aceleración según DIN 11004:

GS1400	
	4,6 m/s <sup>2</sup>

Brian Cooke  
Director de Ingeniería  
Spennymoor, County Durham DL16 6JG,  
United Kingdom

## FINALIDAD

Su biotriturador de jardín Black & Decker GS1400 está diseñado para triturar la mayoría de los residuos de cocina y jardín, incluyendo podas, recortes de setos, ramas y otros residuos orgánicos de jardín así como papel y cartón. Los residuos triturados son ideales para usar como abono o para obtener un menor volumen de residuos más fáciles de desechar. Esta trituradora de jardín está pensada únicamente para consumo doméstico, y para un uso intermitente: El tiempo recomendado para introducir materiales es un 40% del tiempo total de funcionamiento de la trituradora. La selección y recogida del material normalmente proporcionará un tiempo de parada suficiente.

## INSTRUCCIONES DE SEGURIDAD

### Pictogramas

En el presente manual figuran los pictogramas siguientes:



Indica peligro de lesiones, de accidentes mortales o de averías en la herramienta en caso de no respeto de las instrucciones en este manual.



Indica tensión eléctrica.



Lea el manual antes de utilizar la herramienta.

### Conocer la herramienta



- ♦ **¡Atencion!** Cuando use herramientas eléctricas, debe seguir siempre las precauciones de seguridad básicas, incluidas las siguientes, a fin de reducir el riesgo de incendios, electrocución, lesiones personales y daños materiales.
- ♦ Lea las instrucciones de seguridad siguientes antes de utilizar esta herramienta.

- ◆ Antes de poner en marcha la herramienta, compruebe que sabe cómo desconectarla en caso de emergencia.
- ◆ ¡Conserve bien estas instrucciones de seguridad!

**Generalidades**

**1. Tenga en cuenta el entorno del área de trabajo**

No exponga herramientas a la humedad. Procure que el área de trabajo esté bien iluminada. No utilice la herramienta donde exista riesgo de incendio o explosión, p. ej. en la proximidad de líquidos o gases inflamables. Mantenga el área de trabajo limpia de residuos y obstáculos.

**2. ¡Mantenga alejados a los niños!**

No permita que niños, otras personas o animales se acerquen al área de trabajo ni toquen la herramienta o el cable de corriente.

**3. Vista ropa de trabajo apropiada**

No lleve vestidos anchos ni joyas. Estos podrían ser atrapados por piezas en movimiento. Para trabajos en el exterior, se recomienda llevar guantes de goma y calzado de suela antideslizante. Si tiene el pelo largo, téngalo recogido y cubierto.

**4. Protección personal**

Lleve gafas de protección. Utilice una mascarilla si el trabajo ejecutado produce polvo u otras partículas volantes. Lleve protectores para los oídos cuando el ruido pueda resultar molesto.

**5. Protéjase contra la electrocución**

Evite el contacto del cuerpo con superficies conectadas a masa o tierra (por ejemplo verjas metálicas o farolas, etc.). Se puede incrementar la seguridad eléctrica utilizando disyuntores de alta sensibilidad (30 mA/30 mS) para detectar corrientes de fuga.

**6. No alargue demasiado su radio de acción**

Mantenga un apoyo firme sobre el suelo y conserve el equilibrio en todo momento.

**7. Esté siempre alerta**

Mire lo que está haciendo. Use el sentido común. No maneje la herramienta cuando está cansado.

**8. Sujete bien la pieza de trabajo**

Utilice abrazaderas o un torno para sujetar la pieza de trabajo. Es más seguro que sujetarla con la mano y le permite utilizar ambas manos para manejar la herramienta.

**9. Retire las llaves de maniobra**

Antes de poner la herramienta en marcha, asegúrese de que las llaves y utensilios de reglaje hayan sido retirados.

**10. Cables alargadores**

Revise el cable alargador antes de utilizarlo por si presenta desperfectos.

Utilice exclusivamente cables alargadores diseñados para su uso a la intemperie.

**11. Utilice la herramienta adecuada**

En este manual, se indica para qué uso está destinada la herramienta. No utilice herramientas o dispositivos acoplables de potencia demasiado débil para ejecutar trabajos pesados. La herramienta funcionará mejor y con mayor seguridad al ser utilizada de acuerdo con sus características técnicas.

No fuerce la herramienta.

**¡Atencion!** El uso de accesorios o acoplamientos, o el uso de la herramienta misma distintos de los recomendados en este manual de instrucciones, puede dar lugar a lesiones de personas.

**12. Comprobar que no haya partes averiadas**

Antes de usarla, compruebe cuidadosamente que la herramienta y el cable de corriente no presenten desperfectos. Compruebe la posible existencia de piezas móviles mal alineadas o atascadas, la rotura de piezas, el posible daño de protectores e interruptores y cualquier otro aspecto que pueda afectar al funcionamiento de la herramienta. Asegúrese de que la herramienta puede funcionar adecuadamente y cumplir con el cometido para el que ha sido diseñada. No use la herramienta si alguna pieza está defectuosa. No utilice la herramienta si no es posible apagar y encender el interruptor. Haga que el servicio técnico autorizado repare o sustituya las piezas defectuosas. Jamás intente repararla usted mismo. Si el cable eléctrico está estropeado, hay que sustituirlo en un agente de reparaciones autorizado con el fin de evitar un accidente.

## ESPAÑOL

### 13. Desenchufe la herramienta

Desenchufe la herramienta cuando no esté usando la herramienta, antes de sustituir piezas, accesorios o acoplamientos, y antes de efectuar revisiones.

### 14. Evite un arranque involuntario

Procure no tocar el conmutador de encendido/apagado mientras transporta la herramienta. Asegúrese de que la herramienta esté apagada cuando la enchufe.

### 15. Cuide el cable de alimentación

No arrastre la herramienta tirando del cable, ni tire del cable para desenchufarlo. Proteja el cable del calor, del aceite y de las aristas vivas.

### 16. Guarde las herramientas que no utiliza

Cuando no las utilice, las herramientas deben guardarse en un lugar seco y cerrado o elevado, fuera del alcance de los niños.

### 17. Mantenga las herramientas asiduamente

Mantenga sus herramientas afiladas y limpias para trabajar mejor y más seguro. Siga las instrucciones para el mantenimiento y la sustitución de accesorios. Mantenga los mandos y conmutadores secos, limpios y libres de aceite y grasa.

### 18. Reparaciones

Esta herramienta cumple las normas de seguridad relevantes. Las reparaciones deben llevarse a cabo por personal cualificado usando piezas de recambio originales; en caso contrario, podría ocasionarse un riesgo considerable al usuario.

#### Normas de seguridad adicionales para biotrituradores



Antes de iniciar las operaciones, léa el manual.



Peligro – cuchillas giratorias Mantenga los pies y las manos fuera de las aberturas.



Nunca ponga en funcionamiento el biotriturador a menos que el conducto de carga esté en su sitio y firmemente sujeto.



No exponga herramientas a la humedad.



Nunca acerque las manos a la zona de cuchillas mientras éstas estén funcionando o bien la trituradora esté enchufada. Las cuchillas seguirán funcionando unos segundos después de que la trituradora haya sido desconectada.



Antes de realizar cualquier tipo de mantenimiento, apague y desenchufe la herramienta.



Lleve gafas protectoras cuando utilice esta herramienta.



Lleve protectores para los oídos cuando utilice esta herramienta.



Lleve guantes cuando utilice esta herramienta.

- ◆ Antes de utilizarla, asegúrese de que la herramienta se coloca en una superficie horizontal y estable.
- ◆ Nunca mire directamente hacia la salida cuando el biotriturador esté en marcha, ya que podría expulsar algún fragmento suelto.
- ◆ Nunca intente triturar huesos, piedra, cristal, metal, plástico o trapos.
- ◆ No permita utilizar la herramienta a los niños ni a cualquier otra persona que no haya leído estas instrucciones o no esté familiarizada con la misma.
- ◆ Recuerde que el operador es responsable de los accidentes o daños ocasionados a otras personas o a sus pertenencias.

#### SEGURIDAD ELÉCTRICA

El motor eléctrico ha sido diseñado para un solo voltaje. Compruebe siempre que el voltaje de la red corresponde al valor indicado en la placa de características.



Se requiere conexión a tierra.

### Utilización de un cable de prolongación

Use un cable de prolongación aprobado de tres hilos, adecuado para la potencia de esta herramienta (véanse las características técnicas).

Use un cable de prolongación destinado al uso exterior y marcado en consecuencia para ello.

La sección mínima de conductor es de 1,5 mm<sup>2</sup>.

Si utiliza un carrete de cable, desenrolle siempre el cable completamente.

### CONTENIDO DE LA CAJA

La caja contiene:

- 1 Cuerpo triturador con conducto de carga
- 3 Patas
- 3 Tornillos de sujeción de las patas
- 1 Llave Allen
- 1 Manual de instrucciones

- ◆ Desembale con cuidado todas las piezas.

### VISTA GENERAL (fig. A)

- 1. Conmutador ON/OFF (encendido/apagado)
- 2. Cuerpo
- 3. Conducto de carga
- 4. Pata trasera
- 5. Patas delanteras
- 6. Tornillo de sujeción de las patas
- 7. Tuerca de mariposa

### MONTAJE



Antes de proceder al montaje, compruebe que la herramienta está apagada y desenchufada.

### Montaje de las patas (fig. B, D1 & D2)

- ◆ Afloje la tuerca de mariposa (7) y retire el conducto de carga (3) (fig. D1 & D2).
- ◆ Coloque la trituradora boca abajo en el suelo.
- ◆ Inserte la pata trasera (4) en la abertura correspondiente del cuerpo (2) como se muestra. Alinee el orificio del tornillo (11) con la parte inferior del zócalo (12).
- ◆ Fije la pata con el tornillo de sujeción (6).
- ◆ Inserte ambas patas delanteras (5) en la aberturas correspondientes del cuerpo (2) como se muestra. Alinee el orificio del tornillo (11) con la parte inferior del zócalo (12).

- ◆ Fije cada pata con el tornillo de sujeción (6).
- ◆ Coloque la trituradora en posición normal y vuelva a encajar el conducto de carga. Apriete firmemente la tuerca de mariposa.

### USO



- ◆ Deje que la herramienta funcione a su ritmo. No la sobrecargue.
- ◆ No desconecte la trituradora antes de que esté totalmente vacía, ya que puede atascarse dificultando una nueva puesta en marcha.
- ◆ Retire la tierra y las piedras de las raíces antes de triturarlas.
- ◆ Sujete firmemente las ramas menudas al introducirlas en el biotritrador.

### Encendido y apagado (fig. C)

- ◆ Para poner en marcha la herramienta, coloque el conmutador On/Off (1) en la posición I.
- ◆ Para desconectar la herramienta, coloque el conmutador On/Off en la posición O.

### Consejos para un uso óptimo

- ◆ Triture los materiales secos al final, ya que ello contribuirá a eliminar el material húmedo del biotritrador.
- ◆ No deje que el material se acumule y comience a descomponerse antes de triturar.
- ◆ Puede triturar los residuos dos veces para reducir aún más su volumen.
- ◆ Consulte el gráfico al final de este texto.

### MANTENIMIENTO

Su herramienta Black & Decker está diseñada para funcionar durante un largo período de tiempo con un mantenimiento mínimo. El funcionamiento satisfactorio continuado depende de un cuidado apropiado y una limpieza periódica de la herramienta.



Antes de realizar cualquier tipo de mantenimiento, apague y desenchufe la herramienta.

## ESPAÑOL

- ◆ Después de usarla, abra el conducto de carga como se describe más adelante. Limpie y seque la carcasa y la zona de las cuchillas. Evite tocar las cuchillas.
- ◆ Compruebe periódicamente que las cuchillas están afiladas. Encontrará cuchillas de recambio disponibles en cualquier servicio de reparación de Black & Decker. Para sustituir las cuchillas, proceda como se indica a continuación.

### Retirada del conducto de carga (fig. D1 & D2)

Tendrá que retirar el conducto de carga para poder acceder a la zona de las cuchillas.



Asegúrese de que la herramienta esté apagada y desenchufada del tomacorriente.

- ◆ Afloje la tuerca de mariposa (7).
- ◆ Inclíne el conducto de carga (3) hacia atrás (A), deslícelo hacia adelante (B) y levántelo (C).
- ◆ Para sustituir el conducto de carga, proceda en orden inverso.

### Sustitución de las cuchillas (fig. D1 - D4)

Las cuchillas pueden usarse por ambos lados. Cuando uno de los lados esté desafilado, podrá usar el otro lado.



- ◆ Asegúrese de que la herramienta esté apagada y desenchufada del tomacorriente.
- ◆ Tenga cuidado de no cortarse. Es preferible usar guantes.

### Retirada

- ◆ Retire el conducto de carga como se ha descrito anteriormente.
- ◆ Bloquee el disco cortador usando un bloque de madera (8) como se muestra (fig. D3).
- ◆ Retire las cuchillas (9) aflojando los tornillos Allen (10) por medio de la llave Allen suministrada (fig. D4).

### Nuevo montaje

Para volver a montar las cuchillas:

- ◆ Coloque las cuchillas sobre el disco con el borde abrasivo mirando hacia abajo.

Los agujeros de las cuchillas deben estar alineados con los del disco.

- ◆ Sujete firmemente las cuchillas (9) apretando los tornillos Allen (10).
- ◆ Retire el bloque de madera (8).
- ◆ Sustituya el conducto de carga (3) y apriete la tuerca de mariposa (7) (fig. D1 & D2).

### Nueva puesta en marcha del biotriturador atascado

Si el motor está sobrecargado, la herramienta se desconectará automáticamente.

- ◆ Deje que el motor se enfríe durante unos minutos.

Si el motor se resiste a ponerse en marcha:



- ◆ Asegúrese de que la herramienta esté apagada y desenchufada del tomacorriente.
- ◆ Tenga cuidado de no cortarse. Es preferible usar guantes.
- ◆ Retire el conducto de carga como se ha descrito anteriormente.
- ◆ Retire con cuidado todo el material del biotriturador.
- ◆ Sustituya el conducto de carga como se ha descrito anteriormente.
- ◆ Enchufe la herramienta y póngala en marcha.

### HERRAMIENTAS DESECHADAS Y EL MEDIO AMBIENTE



Si llega el momento en que cree que debe reemplazar su herramienta, o no la piensa utilizar más, piense en la protección del medio ambiente. Los servicios postventa Black & Decker aceptarán sus herramientas viejas Black & Decker y se desharán de ellas de la forma menos perjudicial para el medio ambiente.

### Características técnicas

	GS1400	
Voltaje	V	230
Consumo de potencia	W	1.400
Peso	kg	15

### GARANTÍA

Si durante el periodo de 12 meses posterior a su adquisición su producto Black & Decker presentara defectos de materiales o mano de obra, el fabricante garantiza su reparación gratuita o su sustitución por uno nuevo, a nuestro criterio, siempre que:

- ◆ El producto se envíe a un centro de servicio Black & Decker con prueba de su fecha de compra.
- ◆ El producto haya sido adquirido por el propio usuario y no para alquilarlo.
- ◆ El producto haya sido correctamente utilizado y tratado con cuidado.
- ◆ No se haya intentado repararlo por personal distinto al de los centros de servicio autorizados.

### NUESTRA POLÍTICA DE GARANTÍA

Las averías debido a lo siguiente no están cubiertas por la garantía:

- ◆ Recambio de cuchillas viejas o dañadas o cables rotos al usar o almacenar. Éstas se consideran piezas de recambio que se gastan durante el uso normal.
- ◆ Averías debidas a impactos, golpes o maltratos manifiestos.
- ◆ Averías debidas a un uso en desacuerdo con las instrucciones y recomendaciones contenidas en este manual.

**El uso de otros accesorios y recambios que no sean Black & Decker pueden dañar o reducir las características de su producto Black & Decker y anularían la cobertura de esta garantía.**

### SERVICIO POSTVENTA

Hay disponible en Internet información completa sobre nuestro servicio postventa en [www.2helpU.com](http://www.2helpU.com). Como alternativa, puede ponerse en contacto con nuestro Centro de Servicio e Información en la dirección que figura al final de este manual.

Black & Decker le ofrece una extensa red de servicios postventa en todo el país. Nuestro objetivo es ofrecerle el mejor servicio, reparaciones rápidas, todos los repuestos disponibles y un completo surtido de accesorios.

Si su producto Black & Decker necesita reparación, la solución más rápida y sencilla es llevarlo o enviarlo a un servicio postventa Black & Decker, con la tarjeta si está en garantía.

## ESPAÑOL

### CONSEJOS PARA UN USO ÓPTIMO

Material	Condiciones recomendadas para triturar	Observaciones
Ramas menudas y podas	Según cortadas	Alimente sin sobrecargar.
Ramas < 25 mm	Según cortadas	Corte los brotes laterales. Alimente sin sobrecargar. Sujete firmemente las ramas de gran diámetro.
Plantas de jardín, malas hierbas, maleza	Según cortadas, algo secas	Quite la tierra y piedras de las raíces. No triture malas hierbas sembradas.
Follaje recién cortado, podas de setos,	Según cortados, sin humedad superficial	Cuando triture materiales con mucha humedad, introduzca periódicamente esiduos vegetales material seco para limpiar la trituradora.
Papel y cartón	Muy seco, y enrollado flojo	No triturar tras material húmedo.
Follaje fibroso, tallos de hierba de la pampa	Muy seco	Cortar en tiras cortas antes de triturar.

Los siguientes materiales son apropiados para abono sin triturar:

- Recortes de hierba
- Vegetación blanda, especialmente cuando ha comenzado la humedad o la descomposición natural
- Papel húmedo o cartón

### OTRAS HERRAMIENTAS DE JARDINERÍA

Black & Decker cuenta con una amplia gama de herramientas de jardinería para hacerle la vida en el jardín más fácil. Si desea más información sobre los siguientes productos, no dude en ponerse en contacto con nuestro Centro de Servicio e Información (consulte la página de direcciones al final de este manual) o diríjase a su concesionario local de Black & Decker.

Motosierras  
Recortabordes  
Recortasetos  
Cortacéspedes  
Escarificadores  
Aspiradores-sopladores

Todos los productos no se encuentran disponibles en todos los países.



# TRITURADOR GS1400

## PARABÉNS!

Você escolheu uma ferramenta Black & Decker. O nosso objectivo é fornecer ferramentas de qualidade a um preço acessível. Esperamos que a utilize por muitos anos.

## DECLARAÇÃO DE CONFORMIDADE



GS1400

Black & Decker declara que estas ferramentas foram concebidas em conformidade com: 98/37/CEE, 89/336/CEE, 73/23/CEE, DIN VDE 0730, DIN 11004

Nível de potência sonora, medido de acordo com a DIN 11004:

GS1400		
$L_{pA}$ (pressão sonora)	dB(A)	88,1
$L_{WA}$ (potência sonora)	dB(A)	109,4



Use protectores auditivos quando a potência sonora ultrapassar 85 dB(A).

Valor médio quadrático ponderado em frequência de aceleração conforme à DIN 11004:

GS1400	
	4.6 m/s <sup>2</sup>

Brian Cooke  
Engenheiro Responsável  
Spennymoor, County Durham DL16 6JG,  
United Kingdom

## FINALIDADE DA FERRAMENTA

O triturador para jardim Black & Decker GS1400 foi desenvolvido para triturar a maioria dos detritos de jardim e cozinha, inclusive produtos de podas, aparas de cercas vivas, galhos e outros tipos de lixo orgânico, bem como papel e papelão. O lixo triturado é ideal para adubagem ou diminuição do volume dos detritos, o que irá facilitá-lo nas tarefas de limpeza.

Este triturador para jardim destina-se apenas para uso doméstico. A sua utilização deve ser intermitente: o tempo de alimentação recomendado do material é 40% do tempo total de funcionamento do triturador, o que normalmente é sempre possível, devido ao tempo que se utiliza durante a recolha e selecção do material a triturar.

## INSTRUÇÕES DE SEGURANÇA

### Símbolos

Os seguintes símbolos são usados neste manual:



Indica risco de ferimentos, perda de vida ou danos na ferramenta no caso do não-cumprimento das instruções deste manual.



Indica tensão eléctrica.



Leia este manual antes de utilizar a ferramenta.

### Conhecer a ferramenta



- ◆ **Aviso!** Ao utilizar ferramentas eléctricas, é preciso seguir sempre as precauções básicas para a segurança, incluindo as detalhadas a seguir, para diminuir os riscos de incêndio, choque eléctrico, ferimentos pessoais e danos materiais.
- ◆ Leia as seguintes instruções de segurança antes de tentar utilizar esta ferramenta.

## PORTUGUÊS

- ◆ Antes de utilizar a ferramenta, certifique-se de que sabe como desligá-la em caso de emergência.
- ◆ Guarde estas instruções!

### Instruções gerais

#### 1. Cuide do ambiente da área de trabalho

Não exponha a ferramenta à chuva. Não utilize a ferramenta em situações onde haja humidade ou água. Mantenha a área de trabalho bem iluminada. Não utilize a ferramenta onde haja risco de fogo ou explosão, p.ex. em presença de líquidos ou gases inflamáveis. Mantenha a área de trabalho livre de escombros e obstáculos.

#### 2. Mantenha as crianças afastadas

Não permita que crianças, visitantes ou animais cheguem perto da área de trabalho ou toquem na ferramenta ou no cabo de força.

#### 3. Vista-se de maneira apropriada

Não use vestuário largo nem jóias porque podem prender-se numa peça móvel. Quando se trabalha no exterior, é de aconselhar o uso de luvas de borracha e de calçado antiderrapante. Prenda o cabelo se tiver cabelo comprido.

#### 4. Protecção pessoal

Utilize óculos de protecção. Utilize óculos de protecção e uma máscara de rosto ou poeira sempre que as operações possam produzir poeira ou partículas que voem. Utilize protector de ouvidos sempre que o nível de ruído pareça ser incómodo.

#### 5. Tenha cuidado com os choques eléctricos

Evite o contacto com superfícies aterradas tais como trilhos de metal, postes de iluminação, etc. A segurança eléctrica pode ser melhorada mediante o uso de dispositivos de corrente residual (RCD) de alta sensibilidade (30 mA/30 mS).

#### 6. Verifique a sua posição

Mantenha sempre o equilíbrio.

#### 7. Esteja atento

Dê atenção ao que vai fazendo. Trabalhe com precaução. Não utilize ferramentas quando estiver cansado.

#### 8. Segure firmemente as peças a trabalhar

Utilize grampos ou um torno para segurar as peças de trabalho quando for apropriado. É mais seguro e permite manter as duas mãos livres para trabalhar.

#### 9. Tire as chaves de aperto

Verifique sempre se as chaves de aperto foram retiradas da ferramenta antes de a utilizar.

#### 10. Cabos de extensão

Antes de iniciar o uso, verifique o estado do cabo de extensão e substitua-o se estiver danificado. Utilize apenas cabos de extensão destinados ao uso em ambientes externos.

#### 11. Empregue a ferramenta apropriada

Neste manual indicam-se as aplicações da ferramenta. Não force pequenas ferramentas ou acessórios para fazer o trabalho numa ferramenta forte. A ferramenta trabalhará melhor e de uma maneira mais segura se for utilizada para o efeito indicado. Não force a ferramenta.

**Aviso!** O uso de qualquer acessório ou o uso da própria ferramenta, além do que é recomendado neste manual de instruções pode dar origem a risco de ferimento.

#### 12. Verifique as peças danificadas

Antes do uso, verifique cuidadosamente se a ferramenta e o cabo de força não estão danificados. Verifique o tamanho das peças móveis e se as mesmas estão alinhadas; verifique se há alguma peça partida, se as protecções e os interruptores estão danificados, bem como quaisquer outras condições que possam afectar o funcionamento da ferramenta. Assegure-se de que a ferramenta funciona correctamente e de que esteja a desempenhar as funções para as quais foi projectada. Não utilize a ferramenta se houver alguma peça defeituosa. Não utilize a ferramenta se o interruptor não estiver a funcionar para ligar ou desligar. Qualquer peça defeituosa deve ser reparada ou substituída por um técnico autorizado. Nunca tente efectuar qualquer reparação por sua conta. Para evitar situações de risco, o cabo eléctrico danificado deverá ser substituído por um agente de reparações autorizado.

### 13. Desligue a ferramenta

Desligue a ferramenta quando não estiver em uso, antes de trocar qualquer peça da ferramenta, acessórios ou anexos e antes de a enviar para o serviço técnico.

### 14. Evite ligar sem intenção

Não transporte a ferramenta com um dedo sobre o interruptor liga/desliga. Assegure-se de que a ferramenta está desligada no interruptor quando for ligá-la à tomada.

### 15. Não force o cabo eléctrico

Nunca transporte a ferramenta pelo cabo ou puxe o mesmo para retirá-lo da tomada. Proteja o cabo contra o calor e evite o contacto com óleo e objectos cortantes.

### 16. Guarde as ferramentas que não estiverem a ser utilizadas

Quando não estiver em uso, as ferramentas deverão ser armazenadas em local seco, fechado ou alto, fora do alcance das crianças.

### 17. Cuide das suas ferramentas com atenção

Mantenha as ferramentas cortantes afiadas e limpas para um melhor e mais seguro desempenho. Siga as instruções para a manutenção e a troca de acessórios. Mantenha os punhos e os interruptores secos, limpos e isentos de óleo e gordura.

### 18. Reparos

Esta ferramenta cumpre os requisitos de segurança pertinentes. Os reparos devem ser realizados somente por pessoas qualificadas e as peças de reposição devem ser originais. A não observância disso poderá resultar em perigos consideráveis para os utilizadores.

#### Instruções adicionais de segurança relativamente aos trituradores



Leia o manual antes de utilizar o produto.



Perigo – lâminas giratórias. Mantenha as mãos e os pés longe das aberturas.



Nunca utilize o triturador a menos que o corpo superior esteja no lugar e bem preso.



Não exponha a ferramenta à chuva.



Nunca coloque as mãos na área das lâminas enquanto estiverem a funcionar, ou com o triturador ligado.



Antes de qualquer procedimento de manutenção, desligue a ferramenta no interruptor e retire a tomada da corrente.



Utilize óculos de segurança durante o funcionamento da ferramenta.



Utilize protector de ouvidos.



Utilize luvas.

- ◆ Antes de utilizá-la, certifique-se de que a ferramenta está sobre uma superfície firme e plana.
- ◆ Nunca olhe directamente para a saída dos detritos, pois a ferramenta poderá projectá-los.
- ◆ Nunca tente triturar ossos, pedras, vidro, metal, plástico ou retalhos de pano.
- ◆ Crianças ou qualquer pessoa que não tenha lido este manual de instruções ou não esteja familiarizada com a ferramenta não a deverá utilizar.
- ◆ Lembre-se que o operador poderá ser responsabilizado por acidentes ou danos causados a pessoas ou à sua propriedade .

#### SEGURANÇA ELÉCTRICA

O motor eléctrico foi concebido para uma única tensão. Verifique sempre se a tensão da rede corresponde à voltagem indicada na placa de identificação.



Esta ferramenta deve ser ligada a uma tomada com ligação à terra.

#### Extensões

Se for necessário um fio de extensão, use um cabo de extensão de três condutores, conveniente para a corrente desta ferramenta (veja os dados técnicos).

## PORTUGUÊS

Empregue sempre cabos previstos para uso no exterior. A dimensão mínima do condutor é 1,5 mm<sup>2</sup>. No caso de se usar uma bobina, desenrole o cabo todo.

### CONTEÚDO DA CAIXA

A caixa contém:

- 1 Conjunto de motor + corpo superior
- 3 Pernas
- 3 Parafusos para fixação das pernas
- 1 Chave Allen
- 1 Manual de instruções

- ◆ Retire todas as peças da embalagem, com cuidado.

### VISÃO GERAL (fig. A)

1. Chave liga/desliga
2. Corpo do motor
3. Corpo superior
4. Perna traseira
5. Pernas anteriores
6. Parafuso retentor das pernas
7. Porca

### MONTAGEM



Antes da montagem, certifique-se de que a ferramenta está desligada da corrente eléctrica.

#### Montagem das pernas (fig. B, D1 & D2)

- ◆ Solte a porca (7) e remova o corpo superior (3) (fig. D1 & D2).
- ◆ Gire o triturador de maneira a posicioná-lo de cabeça para baixo e coloque-o no chão.
- ◆ Insira a perna traseira (4) na abertura correspondente da carcaça (2), conforme ilustração. Alinhe o orifício do parafuso (11) com a parte inferior da ranhura (12).
- ◆ Prenda a perna com o parafuso retentor (6).
- ◆ Insira ambas as pernas (5) nas aberturas correspondentes da carcaça (2), conforme ilustração. Alinhe o orifício do parafuso (11) com a parte inferior da ranhura (12).
- ◆ Fixe as pernas com um parafuso retentor (6).
- ◆ Gire o triturador para cima e encaixe novamente o corpo superior. Aperte bem a porca.

### USO



- ◆ Deixe que a ferramenta funcione à vontade. Não a sobrecarregue.
- ◆ Não a desligue antes de estar completamente vazia, pois isso poderá entupi-la, dificultando o reinício do funcionamento.
- ◆ Remova a terra e pedras das raízes das plantas antes de triturá-las.
- ◆ Segure firmemente os ramos durante a sua colocação no triturador.

#### Como ligar e desligar a ferramenta (fig. C)

- ◆ Para desligar o triturador, ajuste a chave liga/desliga (1) na posição I.
- ◆ Para desligá-lo, ajuste a chave na posição O.

#### Sugestões para uma melhor utilização

- ◆ Triture materiais secos por último, pois este procedimento ajudará na secagem da humidade dos materiais no triturador.
- ◆ Não deixe o material empilhado transformar-se em adubo antes de triturá-lo.
- ◆ É possível triturar novamente os detritos para que diminuam de volume.
- ◆ Consulte a figura no final deste texto.

### MANUTENÇÃO

Esta ferramenta Black & Decker foi desenvolvida para funcionar por um longo período, com um mínimo de manutenção. O funcionamento contínuo e satisfatório depende da limpeza regular e cuidado adequado da ferramenta.



Antes de qualquer procedimento de manutenção, desligue a máquina no interruptor e retire a tomada da corrente.

- ◆ Após o uso, abra o corpo superior conforme descrição abaixo. Limpe e seque o compartimento e a área das lâminas. Evite manipular as mesmas.
- ◆ Verifique regularmente se as lâminas estão afiadas. É possível adquirir lâminas de reposição com os representantes de manutenção da Black & Decker. Para substituí-las, proceda conforme as instruções abaixo.

**Remoção do corpo superior (fig. D1 & D2)**

Para aceder à área das lâminas é necessário remover o corpo superior do triturador.



Certifique-se de que a ferramenta está desligada no interruptor e retire a tomada da corrente.

- ◆ Solte a porca (7).
- ◆ Incline o corpo superior (3) para trás (A), deslize-o para a frente (B) e suspenda-o (C).
- ◆ Para recolocar o corpo superior, proceda em ordem contrária.

**Substituição das lâminas (fig. D1 - D4)**

Sendo reversíveis as lâminas possuem dois gumes que permitem a sua rotação quando um dos lados estiver gasto.



- ◆ Certifique-se de que a ferramenta está desligada no interruptor e retire a tomada da corrente.
- ◆ Tome cuidado para não se cortar. De preferência utilize luvas.

**Remoção**

- ◆ Remova o corpo superior conforme descrição acima.
- ◆ Trave o disco da lâmina com um pedaço de madeira (8), conforme ilustração (fig. D3).
- ◆ Remova as lâminas (9), a soltar os parafusos Allen (10). Utilize a chave Allen que acompanha a ferramenta (fig. D4).

**Recolocação**

Para recolocar as lâminas:

- ◆ Coloque as lâminas no disco com a parte afiada voltada para baixo. Os orifícios das lâminas devem estar alinhados com os orifícios do disco.
- ◆ Prenda bem as lâminas (9), a apertar os parafusos Allen (10).
- ◆ Remova o pedaço de madeira (8).
- ◆ Recoloque o corpo superior (3) e aperte a porca (7) (fig. D1 & D2).

**Reinício do funcionamento de um triturador entupido**

Em caso de sobrecarga o motor desliga automaticamente, graças ao seu dispositivo de segurança.

- ◆ Deixe arrefecer o motor por alguns minutos.

Se o motor ainda não funcionar:



- ◆ Certifique-se de que a ferramenta está desligada no interruptor e retire a tomada da corrente.
- ◆ Tome cuidado para não se cortar. De preferência utilize luvas.

- ◆ Remova o corpo superior conforme descrição acima.
- ◆ Retire cuidadosamente todo o material do interior da ferramenta.
- ◆ Recoloque o corpo superior conforme descrição acima.
- ◆ Ligue o plugue e a ferramenta.

**FERRAMENTAS INDESEJADAS E O AMBIENTE**



Leve a sua ferramenta velha a um centro de assistência técnica Black & Decker onde ela será eliminada de um modo seguro para o ambiente.

**Dados técnicos**

	GS1400	
Voltagem	V	230
Consumo de potência	W	1.400
Peso	kg	15

**GARANTIA**

Se o seu produto se avariar por defeito de montagem ou de material, durante um período de 12 meses após a compra, garantimos a sua substituição sem encargos adicionais, desde que:

- ◆ O produto tenha sido comprado para utilização própria e não para ser alugado.
- ◆ O produto não tenha sido indevidamente usado ou manipulado.

## PORTUGUÊS

- ◆ Não tenham sido tentadas reparações por pessoas estranhas aos serviços de assistência técnica da Black & Decker.
- ◆ O produto seja enviado a um centro de assistência técnica devidamente acompanhado do comprovativo de compra.

Esta garantia é oferecida como benefício extra e é adicional aos direitos legais do utilizador.

### SERVIÇO PÓS-VENDA

Todas as informações sobre o nosso serviço pós-venda estão disponíveis na Internet em **www.2helpU.com**. Em alternativa, queira contactar o nosso Serviço a Clientes (consultar a parte de trás do presente manual).

Se o seu produto Black & Decker precisar de reparações o modo mais rápido e mais fácil é levá-lo ou enviá-lo a um centro de assistência técnica Black & Decker, incluindo a prova de compra no caso de ser pedido uma reparação no âmbito da garantia.

**CONSELHOS PARA UMA MELHOR UTILIZAÇÃO**

<b>Condição recomendada do material para trituração</b>		<b>Observações</b>
Galhos e podas	Durante o corte	Coloque-os na máquina sem sobrecarregá-la.
Ramos < 25 mm	Durante o corte	Remova os galhos Coloque-os na máquina sem sobrecarregá-la. Segure firmemente os ramos largos.
Palha, plantas pequenas, arbustos	Durante o corte, levemente secos	Remova a terra e as pedras das raízes. Não triture plantas com grãos.
Folhagem recém-cortada, podas de cercas vivas, restos de verduras	Durante o corte, superfície seca	Durante a trituração de materiais com muita humidade, coloque no triturador material seco regularmente para limpá-lo.
Papel e papelão	Bem seco, ligeiramente enrolado	Não triture após colocação de material húmido.
Corte em partes menores a folhagem fibrosa e caules	Bem secos	Em partes menores antes da trituração.

Os materiais a seguir são adequados para adubação, não triturados:

- Relva
- Vegetação macia, principalmente quando húmida ou em início de decomposição natural
- Papel ou papelão húmidos

**OUTRAS FERRAMENTAS PARA JARDIM**

A Black & Decker possui uma grande variedade de ferramentas que facilitam o trabalho no jardim.

Se desejar obter mais informações sobre os produtos a seguir mencionados, contacte o nosso Serviço a Clientes (veja a página de endereços no final deste manual) ou contacte o revendedor local da Black & Decker.

Aparadores  
Electrosserras  
Tesoura de relva  
Corta-sebes  
Corta-relvas  
Vassouras para relvado  
Aspiradores de folhas  
Trituradores

Nem todos os produtos estão disponíveis em todos os países.

## KOMPOSTKVARN GS1400

### BÄSTE KUND!

Tack för att du har valt ett verktyg från Black & Decker. Vi hoppas att du kommer att få glädje av verktyget i många år.

### CE-FÖRSÄKRAN OM ÖVERENSSTÄMMELSE



GS1400

Black & Decker förklarar att dessa verktyg är konstruerade i överensstämmelse med: 98/37/EEG, 89/336/EEG, 73/23/EEG, DIN VDE 0730, DIN 11004

Ljudnivå, uppmätt enligt DIN 11004:

GS1400		
L <sub>pA</sub> (ljudtryck)	dB(A)	88,1
L <sub>WA</sub> (ljudeffekt)	dB(A)	109,4



Använd hörselskydd om ljudnivån överskrider 85 dB(A).

Det vägda geometriska medelvärdet av vibrationsfrekvensen enligt DIN 11004:

GS1400	
	4,6 m/s <sup>2</sup>

Brian Cooke  
Director of Engineering  
Spennymoor, County Durham DL16 6JG,  
United Kingdom

### ANVÄNDNINGSSOMRÅDE

Din Black & Decker kompostkvarn GS1400 har tillverkats för malning av de flesta köks- och trädgårdsavfall, grenar från träd och häckar, kvistar och annat organiskt trädgårdsavfall samt även papper och kartong. Det malda materialet lämpar sig perfekt för komposthögen eller för att erhålla en mindre volym avfall och därmed en smidigare hantering.

Kompostkvarnen är endast avsedd för bruk i hemmet. Låt maskinen vila då och då. Den rekommenderade inmatningstiden utgör 40% av maskinens totala gångtid. Den tid som det tar att välja ut och plocka upp material brukar vara tillräckligt som tomgångstid.

### SÄKERHETSINSTRUKTIONER

#### Symboler

Följande symboler har använts i bruksanvisningen:



Anger risk för personskada, livsfara eller skada på verktyg om du inte följer de instruktioner som står i bruksanvisningen.



Anger risk för elektrisk stöt.



Läs bruksanvisningen innan du använder verktyget.

#### Lär känna verktyget



- ♦ **Varning!** När man använder elverktyg är det viktigt att man bl.a. följer nedanstående säkerhetsanvisningar för att minska risken för brand, elektriska stötar, personskador och materialskador.
- ♦ Var säker på att du vet hur man stänger av verktyget innan du börjar använda det.
- ♦ Spara bruksanvisningen lättillgängligt.



**Allmänt****1. Tänk på arbetsmiljöns inverkan**

Utsätt inte verktyget för regn. Använd inte verktyget på fuktiga eller våta platser. Ha bra belysning över arbetsytan. Använd inte verktyget där det finns risk för eldsvåda eller explosion, t.ex. i närheten av lättantändliga vätskor eller gaser. Håll arbetsplatsen i ordning.

**2. Utom räckhåll för barn**

Tillåt inte barn, besökande eller djur att komma i närheten av arbetsplatsen eller att röra vid verktyget eller sladden.

**3. Klä dig rätt**

Bär inte löst hängande kläder eller smycken. De kan fastna i rörliga delar. Gummihandskar och halkfria skor rekommenderas vid utomhusarbeten. Använd hårmät om du har långt hår.

**4. Skyddskläder**

Använd alltid skyddsglasögon. Använd ansiktsmask om arbetet förorsakar damm eller partiklar i luften. Använd hörselskydd om du besväras av ljudnivån.

**5. Eliminera risken för elektriska stötar**

Undvik kontakt mellan kroppen och jordade ytor (t.ex. metallräcken, lyktstolpar m.m.). Elsäkerheten kan förbättras ytterligare genom användning av en jordfelsbrytare med hög känslighet (30 mA/30 mS).

**6. Sträck dig inte för mycket**

Se till att du alltid har säkert fotfäste och balans.

**7. Var uppmärksam**

Titta på det du gör. Använd sunt förnuft. Använd inte verktyget när du är trött.

**8. Sätt fast arbetsstycket**

Använd skruvtingar eller ett skruvstycke för att hålla fast arbetsstycket. Det är säkrare än att använda handen och du får bägge händerna fria för arbetet.

**9. Tag bort nycklar**

Kontrollera att nycklar och justerverktyg har tagits bort från verktyget innan det startas.

**10. Förlängningssladdar**

Kontrollera förlängningssladden innan den används. Byt ut den om det behövs. Använd bara förlängningssladdar som är avsedda för utomhusbruk.

**11. Använd rätt verktyg**

Använd inte verktyg för ändamål de inte är avsedda för. Tvinga inte verktyget att göra arbeten som är avsedda för kraftigare verktyg. Använd endast tillbehör och tillsatser som är rekommenderade i bruksanvisningen och katalogerna. Överbelasta inte verktyget. **Varning!** Användning av annat verktyg eller tillbehör kan innebära risk för personskada.

**12. Kontrollera verktyget för skador**

Kontrollera verktyget och sladden för skador innan du använder verktyget. Kontrollera att de rörliga delarna inte har fastnat eller är felmonterade. Kontrollera även att övriga delar och skydd inte är skadade och att det inte föreligger några andra fel som kan påverka verktygets funktion. Kontrollera att verktyget fungerar riktigt och kan utföra de avsedda funktionerna. Använd inte verktyget om fel uppstått på någon av dess delar. Använd inte verktyget om det inte kan kopplas till och från med strömbrytaren. Om fel uppstår skall delarna repareras eller bytas ut av en auktoriserad Black & Decker serviceverkstad. Försök aldrig reparera verktyget själv. Om nätsladden är skadad måste den bytas ut av en behörig reparatör för att risker inte ska uppkomma.

**13. Dra ur kontakten**

Tag ur kontakten när verktyget inte är i bruk samt före byte av någon del av verktyget, tillbehör eller innan serviceåtgärder utförs.

**14. Undvik oavsiktlig start**

Bär aldrig verktyget med ett finger på strömbrytaren. Kontrollera att verktyget är avstängt innan du sätter i kontakten.

**15. Misshandla inte sladden**

Bär aldrig verktyget i sladden och använd inte sladden för att dra ut kontakten. Utsätt inte sladden för värmekällor, olja eller skarpa kanter.

**16. Förvara verktyg säkert**

När verktyget inte används ska det förvaras på ett torrt ställe, som antingen är låst eller högt beläget så att barn inte kan komma åt det.

**17. Sköt verktyget med omsorg**

Håll verktyget rent och använd skarpa tillbehör för bättre prestanda och säkrare drift.

## SVENSKA

Följ instruktionerna beträffande skötsel och byte av tillbehör. Håll handtagen och strömbrytare torra, rena och fria från olja och fett.

### 18. Reparationer

Detta verktyg uppfyller gällande säkerhetskrav. Reparationer ska utföras av en auktoriserad Black & Decker serviceverkstad som använder originaldelar, annars kan användaren utsättas för stor fara.

#### Extra säkerhetsinstruktioner för kompostkvarnar



Läs bruksanvisningen innan du använder verktyget.



Fara – roterande knivar. Håll händer och fötter borta från öppningarna.



När kompostkvarnen används måste tratten vara ordentligt fastsatt.



Utsätt inte verktyget för regn.



Håll händerna borta från knivarna när de roterar eller när maskinen är ansluten. Knivarna fortsätter att rotera ett par sekunder efter det att maskinen stängts av.



Vid underhåll och skötsel skall verktyget vara avstängt och sladden utdragen.



Använd skyddsglasögon under arbetet med maskinen.



Använd hörselskydd under arbetet med maskinen.



Använd handskar under arbetet med maskinen.

- ♦ Kontrollera före varje användning att verktyget står på en stadig och plan yta.

- ♦ Titta inte direkt in i inmatningsöppningen när maskinen är påslagen eftersom lösa bitar avfallsmaterial kan kastas upp.
- ♦ Försök aldrig mala ben, stenar, glas, metall, plast eller trasor.
- ♦ Låt aldrig barn, eller personer som antingen inte har läst denna instruktionsbok eller inte är vana vid verktyget, använda verktyget.
- ♦ Tänk på att användaren kan göras ansvarig för skada på annan person eller egendom.

#### ELEKTRISK SÄKERHET

Den elektriska motorn är endast avsedd för en spänning. Kontrollera alltid att spänningen på nätet motsvarar den spänning som finns angiven på märkplåten.



Ditt verktyg måste kopplas till jordat uttag.

#### Användning med förlängningssladd

Använd en godkänd, jordad förlängningssladd lämpad för verktygets strömförbrukning (se tekniska data). Använd endast förlängningssladdar som är tillåtna för utomhusbruk och märkta för detta.

Om du använder en sladdvinda, vira alltid av hela sladden.

#### KARTONGENS INNEHÅLL

Kartongen innehåller:

- 1 Kompostkvarn med tratt
- 3 Ben
- 3 Skruv för benen
- 1 Insexnyckel
- 1 Bruksanvisning

- ♦ Packa försiktigt upp alla delar.

#### ÖVERSIKT (fig. A)

1. Strömbrytare
2. Kåpa
3. Tratt
4. Bakre ben
5. Främre ben
6. Skruv för benen
7. Låsraff

**MONTERING**

Se till att verktyget är avstängt samt att det inte är anslutet innan monteringen börjar.

**Montering av benen (fig. B, D1 & D2)**

- ◆ Lossa vingmuttern (7) och tag bort tratten (3) (fig. D1 & D2).
- ◆ Vänd kompostkvarnen upp och ner och ställ den på golvet.
- ◆ För in det bakre benet (4) i motsvarande öppning i kåpan (2), enligt bilden. Rikta in skruvhålet (11) mot botten på skåran (12).
- ◆ Sätt fast benet med skruven (6).
- ◆ Sätt in de båda främre benen (5) i motsvarande öppning i kåpan (2) enligt bilden. Rikta in skruvhålet (11) mot botten på skåran (12).
- ◆ Lås fast benen med en skruv (6).
- ◆ Ställ upp kompostkvarnen och sätt på tratten igen. Dra åt vingmuttern hårt.

**ANVÄNDNING**

- ◆ Överbelasta inte maskinen, låt den arbeta i sin egen takt.
- ◆ Maskinen skall aldrig stängas av förrän den är helt tom eftersom den annars kan blockeras och det kan bli svårt att starta den igen.
- ◆ Tag bort jord och stenar från växternas rötter före malningen.
- ◆ Håll stadigt i grenarna vid inmatningen.

**Start och stopp (fig. C)**

- ◆ För att starta maskinen ställ strömbrytaren (1) i läge I.
- ◆ För att stanna maskinen ställ strömbrytaren i läge 0.

**Råd för bästa resultat**

- ◆ Mal torra material sist eftersom dessa rengör maskinen från fuktiga material.
- ◆ Låt aldrig de material som skall malas ligga i en hög och börja komposteras före malningen.
- ◆ Du kan mala alla material flera gånger i kompostkvarnen så att volymen reduceras ytterligare.
- ◆ Se tabellen i slutet av bruksanvisningen.

**SKÖTSEL**

Ditt Black & Decker verktyg har tillverkats för att fungera under lång tid med ett minimum av skötsel. Med rätt underhåll och regelbunden rengöring bibehåller verktyget sin prestanda.



Vid underhåll och skötsel skall verktyget vara avstängt och sladden utdragen.

- ◆ Efter användning skall tratten öppnas enligt beskrivningen nedan. Rengör och torka kåpan och området kring knivarna. Undvik direktkontakt med knivarna.
- ◆ Kontrollera regelbundet att knivarna är skarpa. Nya knivar kan köpas hos en auktoriserad Black & Decker serviceverkstad. Byte av knivarna utförs enligt beskrivningen nedan.

**Borttagning av tratten (fig. D1 & D2)**

För att komma åt knivarna måste tratten tagas bort.



Kontrollera att verktyget är avstängt samt att sladden är utdragen.

- ◆ Lossa låsratten (7).
- ◆ Luta tratten (3) bakåt (A), för den framåt (B) och lyft upp den (C).
- ◆ För montering av tratten utförs dessa steg i omvänd ordning.

**Byte av knivarna (fig. D1 - D4)**

Knivarna kan användas på båda sidor. När en sida har blivit slö, använd den andra.



- ◆ Kontrollera att verktyget är avstängt samt att sladden är utdragen.
- ◆ Var försiktig så att du inte skär dig. Använd helst handskar.

**Borttagning av knivarna**

- ◆ Tag bort tratten enligt beskrivningen ovan.
- ◆ Lås skärskivan med en träbit (8) enligt bilden (fig. D3).
- ◆ Tag bort knivarna (9) genom att lossa insexskruvarna (10) med insexnyckeln som medföljer (fig. D4).

**Montering**

## SVENSKA

Montering av nya knivar

- ◆ Placera knivarna på skärskivan med kanten nedåt. Hålen i knivarna måste sammanfalla med hålen i skärskivan.
- ◆ Fäst knivarna (9) ordentligt genom att dra åt skruvarna (10).
- ◆ Tag bort träbiten (8).
- ◆ Sätt tillbaka tratten (3) och dra åt låsratten (7) (fig. D1 & D2).

### Start av en blockerad kompostkvarn

Om motorn överbelastas kommer verktyget att stängas av automatiskt.

- ◆ Låt motorn kylas av under ett par minuter.

Om motorn fortfarande inte startar



- ◆ Kontrollera att verktyget är avstängt samt att sladden är utdragen.
- ◆ Var försiktig så att du inte skär dig. Använd helst handskar.

- ◆ Tag bort tratten enligt beskrivningen ovan.
- ◆ Tag försiktigt bort allt material i kompostkvarnen.
- ◆ Sätt tillbaka tratten enligt beskrivningen ovan.
- ◆ Anslut verktyget och starta det.

### FÖRBRUKADE VERKTYG OCH MILJÖN



När ditt verktyg är utslitet, skydda naturen genom att inte slänga det tillsammans med vanligt avfall. Lämn det till de uppsamlingsställen som finns i din kommun eller där du köpt verktyget.

### Tekniska data

	GS1400	
Spänning	V	230
Uteffekt	W	1.400
Vikt	kg	15

### GARANTI

Black & Decker AB garanterar att maskinen är fri från material- och/eller fabriktionsfel vid leveransen till köparen. Garantitiden finns specificerad på maskinens förpackning och i gällande kataloger. Garantitiden kan vara ett alternativt två år beroende på produktslag.

Garantin omfattar inte detaljer av

förbrukningskaraktär, normalt underhåll, förslitning eller förändring som är en följd av normal användning av maskinen, inställnings- eller injusteringsåtgärder som normalt hanteras av köparen, skötsel eller bruk av maskinen i strid mot bruksanvisning, vanvård, överbelastning, onormalt intensiv användning eller annat onormalt brukande, ombyggnad, ändring eller annat obehörigt ingrepp eller liknande förhållande på köparens sida.

- ◆ För att ha rätt att åberopa fel som omfattas av garanti skall köparen underrätta närmaste, av Black & Decker auktoriserad serviceverkstad om felet inom fjorton dagar efter det att felet upptäckts eller bort upptäckas.
- ◆ Köparen skall därvid uppvisa kvitto, faktura, eller annat inköpsbevis som visar var och när maskinen inköptes.
- ◆ Köparen är skyldig att på egen bekostnad lämna maskinen odemonterad till nämnda serviceverkstad.

Black & Decker AB ansvarar för att maskin som är behäftad med fel som omfattas av garantin kostnadsfritt repareras eller byts ut enligt Black & Decker ABs val. Utöver ansvaret för reparation eller utbyte har Black & Decker AB inget ansvar. Garantin grundar således exempelvis inte rätt till skadestånd.

För konsumentköp gäller dessutom, i förhållandet mellan återförsäljaren och konsumenten, reglerna i konsumentlagen.

### SERVICE

Skulle fel uppstå på maskinen, lämna då alltid in den till en auktoriserad Black & Decker serviceverkstad. (Se aktuell katalog för vidare information eller kontakta Black & Decker AB.) Förteckning över våra auktoriserade serviceverkstäder finns även på Internet, vår hemsida [www.blackdecker.se](http://www.blackdecker.se) samt [www.2helpU.com](http://www.2helpU.com).

På grund av forskning och utveckling kan specifikationerna ändras vilket inte meddelas separat.

### RÅD FÖR BÄSTA RESULTAT

Material	Materialets kondition vid malning	Anmärkningar
Kvistar och trädgårdsavfall	Som vid klippningen	Inmatning utan överbelastning
Grenar < 25 mm	Som vid klippningen	Klipp av sidokvistar. Inmatning utan överbelastning. Håll tjocka grenar i ett fast grepp.
Växter, ogräs, buskvegetation	Som vid klippningen, ganska torrt	Skaka av stenar och jord från rötterna. Mal inte ogräs med frön.
Nyklippta blad, häckavfall, vegetabiliskt avfall	Som vid klippningen, ej fuktigt	När mycket fuktigt material mals skall torrt material matas in regelbundet för att rengöra kompostkvarnen.
Papper och kartong	Mycket torrt, löst rullat	Mal inte detta material direkt efter det att du malt fuktigt material.
Fiberrika blad	Mycket torrt	Skär i mindre bitar innan det mals.

Följande material kan komposteras utan föregående malning:

- Klippt gräs
- Mjuk vegetation, speciellt våt eller då en naturlig nedbrytning har påbörjats
- Fuktigt papper eller kartong

#### ANDRA TRÄDGÅRDSREDSKAP

Black & Decker AB har ett brett sortiment av verktyg för utomhusbruk som gör arbetet i trädgården enklare. Kontakta närmaste Black & Decker återförsäljare för ytterligare information eller besök vår hemsida

[www.blackdecker.se](http://www.blackdecker.se).

Mossrivare  
Häcksaxar  
Kedjesågar  
Gräsklippare  
Grästrimmare  
Trädgårdsstädare  
Kompostkvarnar

Alla produkter är inte tillgängliga i vissa länder.

## KOMPOSTKVERN GS1400

Du har valgt et Black & Decker verktøy. Vi håper at du vil ha glede av dette verktøyet i mange år fremover.

### CE-SIKKERHETSERKLÆRING



GS1400

Black & Decker erklærer at disse verktøyer er konstruert i henhold til: 98/37/EØF, 89/336/EØF, 73/23/EØF, DIN VDE 0730, DIN 11004

Lydnivået, målt i henhold til DIN 11004:

		GS1400
L <sub>PA</sub>	(lydnivå) dB(A)	88,1
L <sub>WA</sub>	(akustisk effekt) dB(A)	109,4



Bruk hørselsbeskyttelse dersom lydnivået overskrider 85 dB(A).

Den veide geometriske middelverdien av vibrasjonsfrekvensen i følge DIN 11004:

		GS1400
		4,6 m/s <sup>2</sup>

Brian Cooke  
 Director of Engineering  
 Spennymoor, County Durham DL16 6JG,  
 United Kingdom

### BRUKSOMRÅDER

Din Black & Decker kompostkvern GS1400 har blitt utformet for å grovknuse det meste av kjøkken og hageavfall, grener fra tre og hekker, kvister og annet organisk hageavfall samt papir og papp. Kompostkvernen er tiltenkt kun for bruk i hjemmet. La verktøyet hvile da og da.

Den anbefalte innmatningstiden utgjør 40% av verktøyets totale driftstid. Den tiden det tar å velge ut og plokke opp avfallet vil normalt fremskaffe en tilstrekkelig tomgangstid.

### SIKKERHETSINSTRUKSJONER

#### Symboler

Følgende symboler brukes i denne bruksanvisningen:



Betegner risiko for personskade, livsfare eller skade på verktøyet dersom instruksene i denne bruksanvisningen ikke følges.



Betegner risiko for elektrisk støt.



Les bruksanvisningen før du bruker verktøyet.

#### Lær verktøyet å kjenne



- ◆ **Advarsel!** Ved bruk av elektroverktøy, må du alltid følge en del grunnleggende sikkerhetsregler, inkludert følgende, for å redusere faren for brann, elektrisk støt, personskade og materialskade.
- ◆ Ta deg tid til å lese nøye gjennom bruksanvisningen før du begynner å bruke verktøyet.
- ◆ Vær sikker på at du vet hvordan man slår av verktøyet før du begynner å bruke det.
- ◆ Oppbevar bruksanvisningen på et lett tilgjengelig sted.

**Generelt****1. Tenk på arbeidsmiljøets innvirkning**

Utsett ikke verktøyet for regn. Bruk ikke verktøyet under våte eller fuktige forhold. Pass på at arbeidsområdet er godt opplyst. Bruk ikke verktøyet hvor det er fare for forårsaking av brann eller en eksplosjon, f. eks. i nærheten av brannfarlige væsker eller gasser. Hold arbeidsområdet ryddig.

**2. Hold barn unna**

Ikke la barn, besøkende eller dyr komme i nærheten av arbeidsområdet eller berøre verktøyet eller strømkabelen.

**3. Kle deg riktig**

Ha ikke på deg løstsittende klær eller smykker. De kan sette seg fast i de bevegelige delene. Vi anbefaler gummihansker og sko som ikke glir når du arbeider utendørs. Bruk hårmnett hvis du har langt hår.

**4. Personlig vern**

Bruk vernebriller. Bruk en ansikts- eller støvmaske når operasjonene kan forårsake støv eller flyvende partikler. Bruk ørevern når støynivået virker ukomfortabelt.

**5. Vern mot elektrisk støt**

Unngå å komme i kontakt med jordede overflater (f.eks. metallrekkeverk, lyktestolper osv.). Strømsikkerheten kan forbedres ytterligere ved bruk av jordfeilbryter med høy følsomhet (30 mA/30 mS).

**6. Strekk deg ikke for langt**

Pass på at du alltid har sikkert fotfeste og balanse.

**7. Vær oppmerksom**

Se på det du gjør. Bruk sunn fornuft. Bruk ikke maskinen når du er trett.

**8. Sikre arbeidsstykket**

Der det er aktuelt, må du bruke klemmer eller skrustikke til å holde fast arbeidsemnet. Dette er sikrere enn å bruke hånden, og du får begge hendene fri til å styre verktøyet.

**9. Fjern nøkler**

Gjør det til vane å sjekke om nøkler og justeringsverktøy er fjernet før verktøyet startes.

**10. Skjøteledninger**

Før bruk må du kontrollere skjøteledningen og bytte den ut hvis den er skadet. Bare bruk skjøteledninger beregnet på bruk utendørs.

**11. Bruk riktig verktøy**

Bruk ikke verktøyet til formål det ikke er ment for. Tving ikke en maskin til å gjøre arbeid som krever kraftigere verktøy. Bruk bare tilbehør og utstyr som anbefales i bruksanvisningen og i katalogene. Overbelast ikke verktøyet.

**Advarsel!** Bruk av annet verktøy eller tilbehør kan medføre en mulig risiko for personskaade.

**12. Sjekk verktøyet for skader**

Kontroller verktøyet og strømledningen grundig for skade før bruk. Se etter feiljusteringer, om deler har satt seg fast eller har gått i stykker, skadede deksler og brytere eller andre forhold som kan påvirke bruken av verktøyet. Kontroller at verktøyet fungerer som det skal og utfører beregnet funksjon. Bruk aldri verktøyet hvis noen av delene er skadet. Ikke bruk verktøyet hvis det ikke er mulig å slå det på og av med strømbryteren. Hvis noen av delene er skadet så få de reparert eller byttet ut av et autorisert Black & Decker serviceverksted. Prøv aldri å reparere selv. Hvis strømledningen er skadet, må den byttes ut av en autorisert reparasjonstekniker for å unngå enhver risiko.

**13. Trekk ut støpslet**

Trekk ut støpslet når verktøyet ikke er i bruk, før du bytter noen av delene på verktøyet, tilbehør eller tilslutning og før vedlikeholdelse.

**14. Unngå utilsiktet start**

Bær aldri verktøyet med fingeren på strømbryteren. Pass på at verktøyet er slått av når du setter i støpslet.

**15. Ikke mislighold ledningen**

Ikke bær verktøyet etter ledningen eller trekk i ledningen når du skal ta ut støpslet. Utsett ikke ledningen for varme, olje, eller skarpe kanter.

**16. Oppbevar verktøy på et trygt sted**

Når verktøyet ikke er i bruk, bør det oppbevares på et tørt sted som er låst eller høyt oppe, utenfor barns rekkevidde.

**17. Vær nøye med vedlikeholdet**

Hold verktøyet rent og bruk skarpe tilbehør for bedre prestasjon og sikrere drift. Følg forskriftene når det gjelder vedlikehold og skifte av tilbehør. Hold håndtakene og brytere tørre, rene og fri for olje og fett.

## NORSK

### 18. Reparasjoner

Dette verktøyet overholder relevante sikkerhetskrav. Reparasjoner må bare utføres av autoriserte Black & Decker serviceverksteder som benytter originale reservedeler, ellers kan det være farlig å bruke utstyret.

### Tilleggsinstruksjoner for sikkerhet ved bruk av kompostkvern



Les bruksanvisningen før du bruker verktøyet.



Fare – roterende kniver. Hold hender og føtter vekk fra åpninger.



Bruk aldri kompostkvernen uten at påfyllingstrakten er på plass og sikkert festet.



Utsett ikke verktøyet for regn.



Knivene vil alltid fortsette å rotere noen sekunder etter at kompostkvernen er slått av.



Før du setter igang hvilke som helst vedlikeholdelse må verktøyet slås av og kontakten trekkes ut.



Ha på deg vernebriller når du bruker dette verktøyet.



Ha på deg ørevern når du bruker dette verktøyet.



Ha på deg hansker når du bruker dette verktøyet.

- ◆ Før bruk, forsikre deg om at verktøyet er plassert på en stø og plan overflate.
- ◆ Titt ikke direkte inn i inntakingsåpningen når verktøyet er slått på, da rester kan bli slynget ut.
- ◆ Prøv aldri å kutte bein, stein, glass, metaller eller filler.

- ◆ Verktøyet må ikke brukes av barn eller av andre som ikke har lest instruksjonshåndboken eller ikke er kjent med det.
- ◆ Husk at brukeren kan holdes ansvarlig for ulykker eller skader som rammer andre mennesker eller deres eiendeler.

### ELEKTRISK SIKKERHET

Den elektriske motoren er kun konstruert for én spenning. Kontroller alltid at nettspenningen er i overensstemmelse med spenningen på typeskiltet.



Verktøyet må kobles til et jordet uttak.

### Bruk med skjøteledning

Bruk en godkjent, jordet skjøteledning som er egnet til dette verktøyets kraftbehov (se tekniske data). Bruk kun skjøteledning som er tillatt for utendørs bruk og merket for dette. Hvis du bruker en kabeltrommel, vikl alltid ut all ledningen.

### INNHold I KARTONGEN

Kartongen inneholder:

- 1 Kompostkvern med påfyllingstrakt
- 3 Bein
- 3 Låseskruer for bein
- 1 Sekskantnøkkel
- 1 Bruksanvisning

- ◆ Pakk forsiktig ut alle delene.

### OVERSIKT (fig. A)

1. Strømbryter
2. Kåpe
3. Påfyllingstrakt
4. Bakbein
5. Forbein
6. Låseskruer for bein
7. Vingemutter

### MONTASJE



Før monteringen, må du passe på at verktøyet er slått av og at kontakten er trukket ut.



**Montering av beina (fig. B, D1 & D2)**

- ◆ Skru løs vingemutteren (7) og fjern påfyllingstrakten (3) (fig. D1 & D2).
- ◆ Snu kompostkvernen opp ned og legg den på gulvet.
- ◆ Sett bakbeinet (4) inn i de korresponderende åpningene i kåpen (2) som vist. Juster skruerhullet (11) mot bunnen av sporet (12).
- ◆ Beinet må sikres med en låseskrue.
- ◆ Sett begge forbeina (5) i de korresponderende åpningene i kåpen (2) som vist. Juster skruerhullet (11) mot bunnen av sporet (12).
- ◆ Begge beina må sikres med en låseskrue (6).
- ◆ Snu kompostkvernen igjen og sett påfyllingstrakten på igjen. Fest vingemutteren på en sikker måte.

**ANVENDELSE**

- ◆ La verktøyet jobbe i sin egen hastighet. Ikke overbelast.
- ◆ Ikke skru av kompostkvernen før den er fullstendig tom, siden den kan tette seg og derfor bli vanskelig og starte igjen.
- ◆ Fjern jord og steiner fra røttene til plantene før du begynner med skjæringen.
- ◆ Du må holde grenene stødig når du mater dem inn i påfyllingstrakten.

**Start og stopp (fig. C)**

- ◆ For å sette igang verktøyet, setter du strømbryteren (1) i posisjon I.
- ◆ For å slå av verktøyet, setter du strømbryteren i posisjon O.

**Råd for optimalt resultat**

- ◆ Mal tørt materiale sist da dette vil være til hjelp for å fjerne fuktig materiale fra kompostkvernen.
- ◆ Du må ikke la materialet hope seg opp og kompostere seg før skjæringen starter.
- ◆ Du kan male alle materialer flere ganger i kompostkvernen for å få et enda mindre volum.
- ◆ Se tabellen på slutten av bruksanvisningen.

**VEDLIKEHOLD**

Ditt Black & Decker verktøy har blitt utformet for å være i drift over en lang periode med et minimum av vedlikeholdelse. Ved riktig vedlikehold og regelmessig rengjøring beholder verktøyet sin prestasjon.



Før du setter igang hvilke som helst vedlikeholdelse må verktøyet slås av og kontakten trekkes ut.

- ◆ Etter bruk skal påfyllingstrakten åpnes som beskrevet nedenfor. Rengjør og vask kåpen og knivområdet. Unngå kontakt med knivene.
- ◆ Sjekk jevnlig at knivene er skarpe. Nye kniver kan kjøpes hos et autorisert Black & Decker serviceverksted. For å bytte knivene, følger du prosedyren som instruert nedenfor.

**Fjerning av påfyllingstrakten (fig. D1 & D2)**

For å komme til knivene må påfyllingstrakten fjernes.



Kontroller at verktøyet er slått av og at ledningen er trukket ut.

- ◆ Skru løs vingemutteren(7).
- ◆ Sett påfyllingstrakten på skrå (3) bakover (A), skyv den forover (B) og løft den oppover (C).
- ◆ For å sette påfyllingstrakten tilbake på plass, må denne prosedyren følges, men i omvendt rekkefølge.

**Bytte av kniver (fig. D1 - D4)**

Knivene kan brukes på begge sider. Når den ene siden har blitt sløv, kan du bruke den andre siden av kniven.



- ◆ Kontroller at verktøyet er slått av og at ledningen er trukket ut.
- ◆ Vær forsiktig så du ikke skjærer deg. Bruk hansker.

**Fjerning av knivene**

- ◆ Fjern påfyllingstrakten som beskrevet ovenfor.
- ◆ Lås knivskiven med en trekloss (8) som vist (fig. D3).
- ◆ Fjern knivene (9), ved å skru løs de innvendige

## NORSK

sekskantskruene (10), ved å bruke den medfølgende sekskantnøkkelen (fig. D4).

### Montering av nye kniver

- ◆ Sett knivene på skjæreskiven med kanten nedover. Hullene i knivene må stemme overens med de som er i skjæreskiven.
- ◆ Fest knivene (9) ved å stramme sekskantskruene (10).
- ◆ Fjern treklossen (8).
- ◆ Sett tilbake påfyllingstrakten (3) og stram til vingemutteren (7) (fig. D1 & D2).

### Start av en blokkert kompostkvern

Hvis motoren er overbelastet, vil verktøyet automatisk slås av.

- ◆ La motoren avkjøles noen få minutter.

Hvis motoren fremdeles nekter å starte:



- ◆ Kontroller at verktøyet er slått av og at ledningen er trukket ut.
- ◆ Vær forsiktig så du ikke skjærer deg. Bruk hansker.
- ◆ Fjern påfyllingstrakten som beskrevet ovenfor.
- ◆ Fjern forsiktig alt materiale fra kompostkvernen.
- ◆ Sett tilbake påfyllingstrakten som beskrevet ovenfor.
- ◆ Plugg inn verktøyet og slå det på.

### MILJØ



Når verktøyet ditt er utslitt, beskytt naturen ved ikke å kaste det sammen med annet vanlig avfall. Lever det til kildesortering eller til et Black & Decker serviceverksted.

### Tekniske data

	G51400	
Spenning	V	230
Ut-effekt	W	1.400
Vekt	kg	15

### GARANTI

Black & Decker (Norge) A/S garanterer at maskinen er uten material- og/eller fabrikkasjonsfeil ved levering kjøperen. Garantitiden er spesifisert på maskinens forpakning og i gjeldende kataloger. Garantitiden kan være ett alternativt to år avhengig av produktslag. Garantien omfatter ikke detaljer av forbrukskarakter, normalt vedlikehold, slitasje eller forandring som er en følge av normalt bruk, innstillingsjustering eller annen justering som normalt håndteres av kjøperen, vedlikehold eller bruk av maskinen i strid med bruksanvisningen, mislighold, overbelastning, unormalt intensivt bruk eller annet unormalt bruk, ombygging, endring eller annen forandring eller lignende forhold fra kjøperens side.

- ◆ For å påberope feil som omfattes av garanti skal kjøperen underrette nærmeste autoriserte Black & Decker serviceverksted om feilen innen fjorten dager etter at feilen oppdages.
- ◆ Kjøperen skal kunne fremvise kvittering, faktura eller annet kjøpsbevis som viser hvor og når verktøyet ble kjøpt.
- ◆ Kjøperen skal for egen bekostning levere verktøyet udemontert til autoriserte serviceverksted eller til kjøpsstedet.

Black & Decker (Norge) A/S har ansvar for at maskiner som er beheftet med feil som omfattes av garantien, og reparere eller bytte ut disse kostnadsfritt etter Black & Decker (Norge) A/S valg. Utover ansvar for reparasjoner eller bytte har Black & Decker (Norge) A/S ingen ansvar. Garantien gir dermed f.eks. ikke rett til skadeerstatning. For konsumentkjøp gjelder dessuten Kjøpsloven som regulerer forholdet mellom forhandler og kunde.

### SERVICE

Skulle det oppstå feil på maskinen, lever den alltid inn til et autorisert Black & Decker serviceverksted eller der hvor du kjøpte den. Se aktuell katalog for mer informasjon eller kontakt Black & Decker (Norge) A/S. Oversikt over våre autoriserte serviceverksteder finnes også på Internett, vår hjemmeside [www.blackdecker.no](http://www.blackdecker.no) samt [www.2helpU.com](http://www.2helpU.com). Du kan også kontakte Black & Decker (Norge) A/S (adressen finner du bakpå bruksanvisningen).

Skulle ditt verktøy trenge reparasjon, leveres

verktøyet til et Black & Decker autorisert serviceverksted eller kjøpstedet.

På grunn av forskning og utvikling kan spesifikasjonene endres, noe som ikke meddeles separat.

#### RÅD FOR OPTIMALT RESULTAT

Materiale	Anbefalte forhold for skjæring	Bemerkninger
Kvister og hageavfall	Som kuttet	Mates uten overbelastning.
Greiner < 25 mm	Som kuttet	Klipp av sidevekster. Mates uten overbelastning. Hold tykke grener i et fast grep.
Vekster, ugress, buskas	Som kuttet, passe tørt	Slå vekk jord og steiner fra røttene. Ikke kutt ugress som bærer frø.
Nyklippet løv, hekkavfall, vegetabilsk avfall	Som kuttet, ikke overflate fuktighet	Når du skjærer materialer med stor fuktighet, mater du jevnlig med tørt materiale for å rengjøre kvernen.
Papir og papp	Veldig tørt, forsiktig rullet	Kvern ikke disse materialene fuktige.
Fiberaktig løv, strå gress plantestengler	Veldig tørt	Kuttes i korte lengder før det skjæres.

De materielene som følger er passende for kompost uten at de trenger grovkusing:

- Klippet gress
- Mykt plantevekst, spesielt når det er vått eller hvis naturlig dekompostering har begynt.
- Fuktig papir eller papp

#### ANDRE HAGEVERKTØY

Black & Decker har et bredt sortiment av verktøy for utendørsbruk som gjør arbeidet i hagen enklere. Kontakt nærmeste Black & Decker forhandler for ytterligere informasjon eller besøk vår hjemmeside: [www.blackdecker.no](http://www.blackdecker.no).

Mosefjerner  
Gressklippere  
Hekksakser  
Kjedesager  
Gresstrimmere  
Løvfjerner  
Kompostkverner

Ikke alle produkter er tilgjengelige i alle land.

## KOMPOSTKVÆRN GS1400

Tak fordi du valgte Black & Decker. Vi håber at du får glæde af dette værktøj i mange år fremover.

### EU-OVERENSSTEMMELSESERKLÆRING



GS1400

Black & Decker erklærer at disse værktøjer er konstrueret i henhold til: 98/37/EØF, 89/336/EØF, 73/23/EØF, DIN VDE 0730, DIN 11004

Lydniveauet målt i henhold til DIN 11004:

			GS1400
L <sub>pA</sub>	(lydniveau)	dB(A)	88,1
L <sub>WA</sub>	(akustisk styrke)	dB(A)	109,4



Anvend høreværn, hvis lydniveauet overstiger 85 dB(A).

Den vægtede geometriske middelværdi af accelerationsfrekvensen i henhold til DIN 11004:

		GS1400
		4.6 m/s <sup>2</sup>

Brian Cooke  
 Director of Engineering  
 Spennymoor, County Durham DL16 6JG,  
 United Kingdom

### ANVENDELSESOMRÅDE

Deres Black & Decker have kompostkvarn GS1400 er blevet designet til kværning af haveaffald, inklusive beskårede træer og buske, affald efter hækkлипning, grene og andet organisk haveaffald, såvel som papir og karton.

Det kværmede affald er ideelt til kompost eller til at opnå en mindre mængde affald, som er lettere at bortskaffe.

Denne kompostkvarn er kun beregnet til forbrugerbrug. Den anbefalede materiale tilførselstid er 40% af kompostkvarnens totale driftstid. Udvælgelse og opsamling af materialet giver normalt den nødvendige tomgangstid.

### SIKKERHEDSINSTRUKTIONER

#### Piktogrammer

Følgende piktogrammer anvendes i denne brugsanvisning:



Angiver risiko for personskade, livsfare eller ødelæggelse af værktøjet, hvis brugsanvisningens instruktioner ikke følges.



Angiver risiko for elektrisk stød.



Læs brugsanvisningen igennem, inden værktøjet tages i brug.

#### Lær værktøjet at kende



- ♦ **Advarsel!** Ved brugen af elværktøj skal de grundlæggende sikkerhedsforanstaltninger altid følges, således at risikoen for brand, elektrisk stød, person- og materialeskader begrænses.
- ♦ Læs brugsanvisningen igennem, inden værktøjet tages i brug.

- Du skal sikre dig, at du ved, hvordan værktøjet slukkes, inden det tages i brug.
- Opbevar brugsanvisningen let tilgængeligt.

### Generelt

#### 1. Tænk på arbejdsmiljøets indflydelse

Udsæt ikke værktøjet for regn. Anvend ikke værktøjet på fugtige eller våde pladser. Sørg for en god belysning over arbejdsområdet. Anvend ikke værktøjet hvor der eksisterer risiko for at brand kan opstå eller eksplosioner forekomme, som følge af brug af værktøjet. F. eks. aldrig i nærheden af let antændelige væsker eller gasser. Arbejdsområdet skal holdes fri for affald og forstyrrende genstande.

#### 2. Hold børnene på afstand

Børn, besøgende eller dyr må ikke nærme sig arbejdsområdet eller røre ved værktøjet eller netkablet.

#### 3. Klæd dig rigtigt på

Bær ikke løst hængende tøj eller smykker. De kan sidde fast i bevægelige dele. Gummihandsker og skridsikre sko anbefales ved udendørs arbejde. Brug hårnet, hvis du har langt hår.

#### 4. Personlig beskyttelse

Brug beskyttelsesbriller. Brug ansigts- eller støvmaske, når brug af værktøjet kan medføre støv eller flyvende partikler. Brug høreværn, når lydniveauet virker generende.

#### 5. Beskyttelse mod elektrisk stød

Undgå kropskontakt med jordede overflader (f.eks. metalgelændere, lygtepæle osv.). Den elektriske sikkerhed kan forbedres yderligere ved brug af højfølsomhed (30 mA/30 mS) fejlstrømsafbryder.

#### 6. Stræk dig ikke for meget

Sørg for, at du altid har sikkert fodfæste og balance.

#### 7. Vær opmærksom

Se på det, du gør. Brug din sunde fornuft. Brug ikke værktøjet, når du er træt.

#### 8. Sæt arbejdsområdet fast

Brug skruetvinger eller en skruestik til at spænde arbejdsområdet fast, når det er relevant.

#### 9. Fjern nøglerne

Kontroller at nøgler og justerværktøj er fjernet fra værktøjet, inden det startes.

#### 10. Forlængerkabler

Før brugen skal forlængerkablet efterses og udskiftes, hvis det er skadet. Brug kun specielle forlængerkabler til udendørs brug.

#### 11. Brug det rigtige værktøj

Brug ikke værktøjet til formål, det ikke er beregnet til. Tving ikke elværktøj til at udføre arbejde, som er beregnet til kraftigere værktøj. Brug kun tilbehør og dele, der er anbefalet i brugsanvisningen og katalogerne. Værktøjet må ikke forceres.

**Advarsel!** Anvendelsen af andet tilbehør kan medføre risiko for personskader.

#### 12. Kontroller værktøjet for skader

Kontrollér omhyggeligt værktøjet og netkablet for beskadigelser, før det tages i brug.

Check de bevægelige dele for skæv indstilling og sammenbrændinger, kontrollér for brud på dele, skader på skærme og kontakter samt alt andet, der kan påvirke værktøjets funktion. Kontrollér at værktøjet vil fungere rigtigt og udføre det arbejde, det er beregnet til. Værktøjet må ikke benyttes, hvis en del er beskadiget.

Brug ikke værktøjet, hvis det ikke kan tændes og slukkes ved afbryderen. Defekte dele skal repareres eller udskiftes af en autoriseret tekniker.

Man må aldrig forsøge selv at reparere værktøjet. Hvis netkablet er skadet, skal det udskiftes af en autoriseret reparatør for at undgå ulykker.

#### 13. Afbryd værktøjet

Afbryd værktøjet når det er ude af brug og før udskiftning af enhver værktøjsdel, tilbehør eller andet udstyr.

#### 14. Undgå utilsigtet start af værktøjet

Man må ikke bære værktøjet med en finger på tænd/sluk knappen. Sørg for, at værktøjet er slukket, når ledningen tilsluttes strømmen.

#### 15. Vær forsigtig med ledningen

Man må aldrig bære værktøjet i ledningen eller tage det ud af stikkontakten ved at rive i ledningen. Ledningen skal holdes på afstand fra varme, olie og skarpe kanter.

## DANSK

### 16. Opbevar værktøjet sikkert

Når værktøjet ikke er i brug, skal det opbevares på et tørt sted, aflåst eller anbragt højt udenfor børns rækkevidde.

### 17. Vedligehold værktøjet omhyggeligt

Skærende værktøj skal holdes skarpe og rene, for på denne måde at opnå et bedre og mere sikkert brug.

Følg vedligeholdelsesvejledningen samt vejledningen til udskiftning af tilbehør. Hold håndtagene og knapperne tørre, rene og fri for olie og fedt.

### 18. Reparationer

Dette værktøj opfylder de relevante sikkerhedskrav. Reparationer må kun foretages af dertil kvalificerede personer, som bruger originale reservedele; ellers kan der opstå betydelig fare for brugeren.

### Ekstra sikkerhedsanvisninger til kompostkværne



Læs brugsanvisningen igennem, inden værktøjet tages i brug.



Fare - roterende tråde. Hold hænder og fødder væk fra åbningerne.



Kompostkværnen må kun betjenes, når tragten er placeret og sikkert fastspændt.



Udsæt ikke værktøjet for regn.



Man må aldrig stikke hænderne ind i skæreamrådet mens skærerne er i drift eller kompostkværnen er tilsluttet strømmen. Skærerne kører rundt nogle få sekunder, efter at kompostkværnen er blevet slukket.



Før udførelse af vedligeholdelsesarbejde, skal værktøjet slukkes og tages ud af stikkontakten.



Det anbefales at bære sikkerhedsbriller, når man arbejder med dette værktøj.



Man skal benytte høreværn, når man arbejder med dette værktøj.



Man skal bruge handsker, når man arbejder med dette værktøj.

- ♦ Før brugen skal man sikre sig, at værktøjet er placeret på en fast og lige overflade.
- ♦ Man må aldrig kigge direkte ned i indløbet, når kompostkværnen er i drift, idet løst affald kan blive udstødt.
- ♦ Man må aldrig kværne ben, sten, glas, metal, plastik eller tøjstykker.
- ♦ Tillad ikke børn eller andre personer, der ikke har læst denne instruktionsvejledning, eller som ikke er fortrolige med værktøjet, at arbejde med det.
- ♦ Husk, at brugeren kan gøres ansvarlig for ulykker eller skader, der påføres andre mennesker eller deres ejendom.

### ELEKTRISK SIKKERHED

Elmotoren er kun beregnet til én spænding. Kontroller, at strømforsyningen svarer til spændingen på typeskiltet.



Maskinen skal tilsluttes til jordet stikkontakt.

### Anvendelse af forlængerledning

Der skal bruges et treleder-forlængerledning svarende til maskinens strømforbrug (se de tekniske specifikationer). Der må kun anvendes forlængerledninger, der er godkendt til udendørs brug og mærkede til dette. Den mindste lederstørrelse er 1,5 mm<sup>2</sup>. Ved anvendelse af en kabeltromle, skal kablet altid vindes helt ud.

### KASSENS INDHOLD

Kassen indeholder følgende:

- 1 Kompostkværn med indløb
- 3 Ben
- 3 Fastholdelseskruer til ben
- 1 Unbrakonøgle
- 1 Brugsvejledning

- ♦ Pak forsigtigt alle dele ud.

**OVERSICHT (fig. A)**

1. Tænd/sluk knap
2. Krop
3. Indløb
4. Bagben
5. Forben
6. Fastholdsesskrue til ben
7. Vingemøtrik

**MONTERING**

Før montering skal man sikre sig, at værktøjet er slukket og taget ud af stikkontakten.

**Montering af benene (fig. B, D1 & D2)**

- ◆ Løsn vingemøtrikken (7) og fjern indløbet (3) (fig. D1 & D2).
- ◆ Drej kompostkværnen, så den vender omvendt, og anbring den på jorden.
- ◆ Sæt bagbenet (4) ind i den på kroppen (2) tilsvarende åbning som vist. Justér skruehullet (11) med bunden af rillen (12).
- ◆ Fastgør benet med en fastholdsesskrue (6).
- ◆ Sæt begge forben (5) ind i de på kroppen (2) dertil hørende åbninger som vist. Justér skruehullet (11) med bunden af rillen (12).
- ◆ Fastgør hvert af benene med en fastholdsesskrue (6).
- ◆ Drej kompostkværnen op i oprejst position og tilpas indløbet. Stram vingemøtrikken sikkert.

**BRUG**

- ◆ Lad værktøjet arbejde i dets eget tempo. Man må ikke overbelaste det.
- ◆ Kompostkværnen må ikke slukkes, før den er fuldstændig tom, idet den ville kunne blive tilstoppet og derved være svær at genstarte.
- ◆ Fjern jord og sten fra planterødder før kværning.
- ◆ Hold grene godt fast, når de bliver ført ind i kompostkværnen.

**Tænding og slukning (fig. C)**

- ◆ For at tænde værktøjet, sættes tænd/sluk knappen (1) på I position.

- ◆ For at slukke værktøjet, sættes tænd/sluk knappen på O position.

**Gode råd til optimalt brug**

- ◆ Kværn tørt materiale til sidst, idet dette hjælper til, at fjerne fugtigt materiale fra kompostkværnen.
- ◆ Man må ikke lade materiale ligge gennem længere tid før kværning.
- ◆ Man kan kværne allerede kværnet materiale i kompostkværnen for yderligere at formindske størrelsen af materialet.
- ◆ Se tabel sidst i denne tekst.

**VEDLIGEHOLDELSE**

Deres Black & Decker værktøj er blevet designet til at være i drift gennem en længere periode med en minimal vedligeholdelse. Fortsat tilfredsstillende drift afhænger af en korrekt behandling af værktøjet samt regelmæssig rengøring.



Før udførelse af vedligeholdelsesarbejde, skal værktøjet slukkes og tages ud af stikkontakten.

- ◆ Efter brug åbnes indløbet, som beskrevet nedenfor. Rengør og tør kassen samt skærområdet. Undgå skærene.
- ◆ Efterse regelmæssigt at skærene stadig er skarpe. Nye skær til udskiftning kan fås fra Black & Decker reparatører. Til udskiftning af skær følges den nedenfor beskrevne vejledning.

**Demontering af indløbet (fig. D1 & D2)**

Indløbet skal demonteres for at få tilgang til skærerområdet.



Man skal sikre sig, at værktøjet er slukket og taget ud af stikkontakten.

- ◆ Løsn vingemøtrikken (7).
- ◆ Vælt indløbet (3) bagover (A), glid det fremad (B) og løft det opad (C).
- ◆ For at montere indløbet, følges vejledningen startende bagfra.

## DANSK

### Udskiftning af skærerne (fig. D1 - D4)

Skærerne kan benyttes på begge sider. Når en side er blevet sløv, kan den anden benyttes.



- ♦ Man skal sikre sig, at værktøjet er slukket og taget ud af stikkontakten.
- ♦ Man skal passe på ikke at skære sig selv. Hvis muligt bør man bruge handsker.

### Demontering

- ♦ Demontér indløbet som ovenfor beskrevet.
- ♦ Fastlås skærerskiven ved hjælp af en træklods (8) som vist (fig. D3).
- ♦ Demontér skærerne (9) ved at løsne unbrakoskruerne (10) ved hjælp af unbrakonøglen, som leveres med værktøjet (fig. D4).

### Tilpasning

For at tilpasse skærerne, skal man gå frem på følgende måde:

- ♦ Anbring skærerne på skiven med grundkanten nedad. Hullerne i skærerne skal passe sammen med hullerne i skiven.
- ♦ Skærerne (9) skal fastspændes sikkert ved hjælp af unbrakoskruerne (10).
- ♦ Fjern træklodsen (8).
- ♦ Montér indløbet (3) og stram vingemøtrikken (7) (fig. D1 & D2).

### Genstart af en tilstoppet kompostkværn

Hvis motoren er overbelastet, slukker værktøjet automatisk.

- ♦ Lad motoren køle af i et par minutter.

Hvis motoren stadig ikke starter:



- ♦ Man skal sikre sig, at værktøjet er slukket og taget ud af stikkontakten.
- ♦ Man skal passe på ikke at skære sig selv. Hvis muligt bør man bruge handsker.
- ♦ Demontér indløbet som ovenfor beskrevet.
- ♦ Fjern forsigtigt alt materiale, som befinder sig i kompostkværnen.
- ♦ Montér indløbet som ovenfor beskrevet.
- ♦ Stik stikket i stikkontakten igen og tænd værktøjet.

### OPSLIDT VÆRKTØJ OG MILJØET



Når dit værktøj er slidt op, beskyt da naturen ved ikke at kaste det bort sammen med almindeligt affald. Aflever det til et opsamlingssted i din kommune eller til et Black & Decker serviceværksted.

### Tekniske data

	GS1400	
Spænding	V	230
Afgiven effekt	W	1.400
Vægt	kg	15

### GARANTI

Black & Decker yder garanti i henhold til specifikke garantivilkår som til enhver tid kan fås hos Black & Decker Danmark.

Disse indebærer bl.a.: Black & Decker garanterer at værktøjet er frit for materiale- eller fabriktionsfejl ved leveringen. Garantien gælder 24 måneder fra leveringen. Black & Decker påtager sig omkostningsfrit at reparere eller udskifte værktøjet, efter eget valg.

- ♦ For at kunne påberåbe sig, at en fejl omfattes af garantien skal køberen underrette nærmeste autoriserede Black & Decker værksted om fejlen inden fjorten dage efter at fejlen er konstateret.
- ♦ Køberen skal kunne fremvise kvittering, faktura eller anden form for indkøbsbevis, som viser hvor og hvornår værktøjet er indkøbt.
- ♦ Køberen er pligtig til, for egne omkostninger at indlevere værktøjet samlet, til et autoriseret værksted eller der hvor værktøjet er købt.

Vedrørende almindeligt forbrugerkøb gælder desuden den del af forbrugerkøbeloven som regulerer forholdet mellem forhandler og køber.

### EFTERSALGS-SERVICE

De kan finde detaljer om vor eftersalgs-service på Internettet på følgende adresse:

**www.2helpU.com.**

Skulle der opstå fejl på værktøjet, skal det indleveres til et autoriseret værksted eller der hvor værktøjet er købt. Se katalog for yderligere information eller kontakt Black & Decker Danmark.



På grund af forskning og udvikling kan ovenstående specifikationer ændres, hvilket ikke meddeles separat.

#### GODE RÅD TIL OPTIMALT BRUG

Materiale	Anbefalet tilstand før kværning	Bemærkninger
Grene, træer	Som skåret	Tilfør uden at overlæsse.
Grene < 25 mm	Som skåret	Klip sidebevoksning af Tilfør uden at overlæsse. Hold godt fast i grene med en stor diameter.
Bedplanter, ukrudt, buskbevoksning	Som skåret, rimeligt tørt Fjern jord og sten fra rødder.	Man må ikke kværne kornet ukrudt.
Friskklippet bevoksning, hækkaffald, planteaffald	Som skåret, ingen overflade fugt	Når materialer med et højt fugtindhold kværnes, skal man regelmæssigt tilføre tørt materiale for at rense kompostkværnen.
Papir og karton	Meget tørt, let sammenrullet	Man må ikke kværne følgende fugtige materialer.
Fibrøs bevoksning, pampa græsstokke	Meget tørt	Skal skæres i små stykker før kværning.

Følgende materiale er egnet til kompost uden kværning:

- Slået græs
- Blød bevoksning, specielt når den er våd eller når den naturlige nedbrydning er begyndt
- Fugtigt papir eller karton

#### ANDET HAVEVÆRKTØJ

Black & Decker har et stort sortiment af haveværktøj, som gør havearbejdet let. Hvis De ønsker yderligere information omkring vore produkter, bedes De sætte dem i kontakt med vore Service- og informationscentre, eller sæt Dem i forbindelse med Deres lokale Black & Decker forhandler.

Græstrimmere  
Kædesave  
Hækkeklippere  
Beskærersakse  
Plæneklippere  
Løvsugere  
Kompostkværne

Ikke alle produkter findes på markedet i alle lande.

## OKSASILPPURI GS1400

Kiitos, että olet valinnut Black & Decker -koneen. Toivomme, että nautit koneen käytöstä monen vuoden ajan.

**CE-VAATIMUSTENMUKAISUUSVAKUUTUS**


GS1400  
Black & Decker vakuuttaa, että nämä työkalut ovat 98/37/EC, 89/336/EEC, 73/23/EEC, DIN VDE 0730, DIN 11004 mukaiset.

Melutaso, mitattu DIN 11004:n mukaisesti:

			GS1400
L <sub>PA</sub>	(äänenpaine)	dB(A)	88,1
L <sub>WA</sub>	(ääniteho)	dB(A)	109,4



Käytä kuulosuojaimia, jos melutaso ylittää 85 dB(A).

Tärinätaajuuden painotettu geometrinen keskiarvo DIN 11004 mukaisesti:

		GS1400
		4,6 m/s <sup>2</sup>

Brian Cooke  
Director of Engineering  
Spennymoor, County Durham DL16 6JG,  
United Kingdom

**KÄYTTÖTARKOITUS**

Black & Deckerin oksasilppuri GS1400 on hyvä apuväline useimpien keittiö- ja puutarhajätteiden, esim. oksien ja muiden orgaanisten puutarhajätteiden sekä paperin ja kartongin silppuamiseen. Hake on sopivaa kompostoitavaksi; tällöin se vie vähemmän tilaa. Oksasilppuri on tarkoitettu kotikäyttöön. Anna koneen käydä välillä tyhjäkäynnillä. Suositeltu materiaalin syöttöaika on 40% oksasilppurin kokonaiskäyttöajasta. Materiaalin kerääminen ja lajittelu riittää koneen tyhjäkäyntiajaksi.

**TURVALLISUUSOHJEET**
**Merkit**

Tässä käyttöohjeessa käytetään seuraavia merkkejä:



Osoittaa henkilövahingon, hengenmenetyksen tai konevaurion vaaraa, mikäli käyttöohjeen neuvoja ei noudateta.



Osoittaa sähköiskun vaaraa.



Lue käyttöohje huolellisesti ennen koneen käyttöönottoa.

**Tutustu koneeseen**


- ♦ Verkkovirtakäyttöisiä koneita käytettäessä on aina noudatettava mm. seuraavia turvallisuusohjeita, jotta tulipalojen, sähköiskujen, henkilövahinkojen ja materiaalivaurioiden riski olisi mahdollisimman pieni.
- ♦ Varmista, että osaat sammuttaa koneen, ennen kuin käynnistät sen.
- ♦ Säilytä käyttöohje kaikkien koneen käyttäjien ulottuvilla.

**Yleistä****1. Ajattele työskentelyalueen vaikutusta työhösi**

Älä altista sähkötyökaluja sateelle äläkä käytä niitä kosteissa tai märissä paikoissa. Järjestä työskentelyalueelle hyvä valaistus. Älä käytä konetta paikassa, jossa on tulipalo- tai räjähdysvaara, esim. palavien nesteiden tai kaasujen läheisyydessä. Pidä työskentelyalue puhtaana.

**2. Työskentele lasten ulottumattomissa**

Älä anna lasten, vieraiden tai eläinten tulla lähelle työskentelyaluetta tai koskea koneeseen tai sähköjohtoon.

**3. Pukeudu asianmukaisesti**

Älä käytä liian väljiä vaatteita tai koruja. Ne voivat tarttua liikkuviin osiin. Käytä ulkona työskennellessäsi kumihansikkaita ja liukumattomia kenkiä. Jos sinulla on pitkät hiukset, käytä hiusverkkoa.

**4. Suojavaatetus**

Käytä suojalaseja. Käytä kasvosuojaa, jos työskennellessä syntyy pölyä tai hiukkasia. Käytä kuulosuojaimia, jos melutaso tuntuu epämukavalta.

**5. Suojaudu sähköiskuilta**

Vältä kosketusta maadoitettuihin pintoihin (esim. metallikaiteisiin, lyhtypylväisiin jne.). Sähköistä turvallisuutta voidaan parantaa käyttämällä erittäin herkkää (30 mA/30 mS) vikavirtasuojaa.

**6. Älä kurottele**

Seiso aina tukevasti ja tasapainossa.

**7. Ole tarkkaavainen**

Keskity työhösi. Käytä tervettä järkeä. Älä käytä sähkötyökalua, kun olet väsynyt.

**8. Kiinnitä työstökappale kunnolla**

Käytä tarvittaessa ruuvipuristinta tai -kappaletta, jotta työstökappale pysyy kunnolla kiinni. Näin saat molemmat kädet vapaaksi työhön.

**9. Poista avaimet**

Poista säätöavaimet ja asennustyökalut koneesta ennen kuin käynnistät sen.

**10. Jatkojohdot**

Tarkista jatkojohto ennen käyttöä, ja vaihda vaurioitunut johto uuteen. Käytä vain ulkokäyttöön tarkoitettuja jatkojohtoja.

**11. Käytä oikeaa työkalua**

Käytä työkalua ainoastaan sellaiseen työhön, johon se on tarkoitettu. Käytä vain käyttöohjeessa ja tuotekuvastossa suositeltuja tarvikkeita ja lisälaitteita. Jonkin muun laitteen käyttö voi aiheuttaa onnettomuuden. Älä ylikuormita konetta.

**12. Tarkista, että työkalu on kunnossa**

Tarkista ennen käyttöä, ettei kone tai sähköjohto ole vaurioitunut. Tarkista, että liikkuvat ja muut osat sekä suoja eivät ole viallisia, ja että kaikki muut käyttöön mahdollisesti vaikuttavat tekijät ovat kunnossa. Varmista, että työkalu toimii oikein ja täyttää tehtävänsä. Älä käytä konetta, jos jokin sen osista on viallinen tai se ei käynnisty ja pysähdy virrankatkaisijasta. Viallinen osa tulee korjata tai vaihtaa valtuutetussa Black & Deckerin huoltoliikkeessä. Älä koskaan yritä korjata konetta itse.

**13. Irrota kone virtalähteestä**

Irrota kone virtalähteestä, kun konetta ei käytetä, ennen minkään koneen osan, tarvikkeen tai lisävarusteen vaihtamista, sekä ennen huoltoa.

**14. Vältä tahatonta käynnistämistä**

Älä koskaan kanno konetta sormet kiinni virrankatkaisijassa. Varmista, että kone on pois päältä, ennen kuin kytket sen virtalähteeseen.

**15. Huolehdi johdon kunnosta**

Älä koskaan kanno konetta johdosta äläkä irrota pistoketta virtalähteestä vetämällä johdosta. Suojaa johto kuumuudelta, öljyltä ja teräviltä reunoilta.

**16. Säilytä työkalua oikein**

Kun konetta ei käytetä, säilytä sitä kuivassa, lukitussa paikassa tai korkealla lasten ulottumattomissa.

**17. Hoida työkalua huolellisesti**

Pidä työkalu puhtaana ja käytä teräviä teriä tehokasta ja turvallista työskentelyä varten. Noudata huollosta ja tarvikkeiden vaihdosta annettuja ohjeita. Pidä virrankatkaisija ja kädensijat kuivina ja puhtaina öljystä ja rasvasta.

**18. Korjaukset**

Tämä työkalu täyttää asianomaiset turvallisuusvaatimukset.

## SUOMI

Korjauksia saa tehdä vain valtuutettu Black & Deckerin huoltoliike, joka käyttää alkuperäisiä varaosia. Muussa tapauksessa käyttäjä saattaa joutua vaaratilanteisiin.

### Oksasilppurin lisäturvaohjeet



Lue käyttöohje huolellisesti ennen koneen käyttöönottoa.



Vaara – pyöriviä teriä. Pidä kädet ja jalat poissa aukoista.



Käytettäessä oksasilppuria tulee suppilon olla kunnolla kiinnitetty.



Älä altista konetta sateelle äläkä käytä sitä kosteissa tai märissä paikoissa.



Pidä kädet poissa teristä niiden pyöriessä tai kun kone on kiinni virtalähteessä. Koneen sulkemisen jälkeen terät jatkavat pyörimistään vähän aikaa.



Ennen huoltoa ja puhdistusta tulee koneen olla pois päältä ja irti virtalähteestä.



Käytä suojalaseja konetta käyttäessäsi.



Käytä kuulosuojaimia konetta käyttäessäsi.



Käytä työhansikkaita konetta käyttäessäsi.

- ♦ Varmista ennen käyttöä, että kone on tukevalla ja tasaisella alustalla.
- ♦ Älä koskaan katso suoraan suppilon tai ulostuloaukkoon koneen käydessä, sillä niistä voi lentää pieniä hakkeen palasia.
- ♦ Älä koskaan silpu luita, kiviä, lasia, metalleja, muovia tai riepuja.

- ♦ Älä anna lasten tai kenenkään, joka ei ole lukenut tätä käyttöohjetta tai tutustunut koneeseen, käyttää konetta.
- ♦ Muista, että käyttäjä on vastuussa muille ihmisille tai heidän omaisuudelleen aiheutuvista onnettomuuksista tai vaaratilanteista.

### SÄHKÖINEN TURVALLISUUS

Sähkömoottori on suunniteltu käytettäväksi vain yhdellä jännitteellä. Tarkista aina, että virtalähde vastaa arvokilvessä ilmoitettua jännitettä.



Koneen saa kytkeä ainoastaan maadoitettuun pistokkeeseen.

### Jatkojohdon käyttö

Käytä hyväksyttyä, maadoitettua jatkojohtoa, joka sopii työkalun virran käyttöön (katso tekniset tiedot). Ulkona työskennellessä tulee aina käyttää ulkokäyttöön valmistettuja ja siten merkittyjä jatkojohtoja. Jos käytät jatkojohtokelaa, kelaa johto aina täysin auki.

### PAKKAUKSEN SISÄLTÖ

Pakkaus sisältää:

- 1 Oksasilppurin ja suppilon
- 3 Jalkaa
- 3 Jalkojen kiinnitysruuvit
- 1 Kuusiokoloavain
- 1 Käyttöohje

- ♦ Pura kaikki osat pakkauksesta varovaisesti.

### YLEISKUVAUS (kuva A)

1. Virrankatkaisija
2. Silppurin runko
3. Suppilo
4. Takajalka
5. Etujalat
6. Jalan kiinnitysruuvit
7. Lukitusmutteri

### KOKOAMINEN



Ennen kokoamista varmista, että kone on pois päältä eikä sitä ole liitetty virtalähteeseen.

**Jalkojen kiinnittäminen (kuva B, D1 & D2)**

- ◆ Löysää lukitusmutteri (7) ja poista suppilo (3) (kuva D1 & D2).
- ◆ Käännä oksasilppuri ylösalaisin ja aseta se lattialle.
- ◆ Työnnä takajalka (4) sille kuuluvaan aukkoon rungossa (2) kuvan osoittamalla tavalla. Kohdista ruuvin reikä (11) uran (12) alaosaan.
- ◆ Kiinnitä jalka ruuvilla (6).
- ◆ Työnnä molemmat etujalat (5) niille kuuluviin aukkoihin rungossa (2) kuvan osoittamalla tavalla. Kohdista ruuvin reikä (11) uran (12) alaosaan.
- ◆ Kiinnitä molemmat jalat ruuveilla (6).
- ◆ Käännä oksasilppuri takaisin oikeaan asentoon ja aseta suppilo takaisin paikoilleen. Kiristä lukitusmutteri tiukasti.

**KÄYTTÖ**

- ◆ Anna koneen käydä omaan tahtiinsa. Älä ylikuormita sitä.
- ◆ Älä pysäytä oksasilppuria ennen kuin se on täysin tyhjä, muussa tapauksessa se saattaa tukkeutua ja sen uudelleen käynnistäminen voi olla vaikeaa.
- ◆ Poista multa ja kivet kasvien juurista ennen niiden silppuamista.
- ◆ Pidä oksista tukevasti kiinni syöttäessäsi niitä silppuriin.

**Käynnistys ja pysäytys (kuva C)**

- ◆ Käynnistä kone painamalla virrankatkaisija (1) asentoon **I**.
- ◆ Sammuta kone painamalla virrankatkaisija (1) asentoon **O**.

**Vinkkejä parhaimman tuloksen saamiseksi**

- ◆ Silppua kuiva materiaali viimeiseksi, tämä puhdistaa koneen kosteasta materiaalista.
- ◆ Älä anna silputtavan materiaalin seistä ja kompostoitua ennen silppuamista.
- ◆ Silputut materiaalit voidaan syöttää oksasilppuriin toiseen kertaan niiden kokonaisvolyymien pienentämiseksi edelleen.
- ◆ Katso käyttöohjeen lopussa olevaa taulukkoa.

**HUOLTO**

Black & Deckerin kone on suunniteltu toimimaan mahdollisimman pitkän aikaa mahdollisimman vähällä huollolla. Oikealla huollolla ja säännöllisellä puhdistuksella kone säilyttää suorituskykynsä.



Ennen huoltoa ja puhdistusta tulee koneen olla pois päältä ja irti virtalähteestä.

- ◆ Käytön jälkeen avaa suppilo alla esitetyllä tavalla. Puhdista ja kuivaa runko sekä leikkuuterien alue. Vältä koskettamista teriä.
- ◆ Tarkista säännöllisesti, että terät ovat teräviä. Uusia teriä on saatavilla Black & Deckerin huoltoliikkeistä. Teriä vaihdettaessa toimi alla olevien ohjeiden mukaisesti.

**Suppilon poistaminen (kuva D1 & D2)**

Nähdäksesi terät on suppilo poistettava.



Varmista, että kone on pois päältä ja irti virtalähteestä.

- ◆ Löysää lukitusmutteri (7).
- ◆ Kallista suppiloa (3) taaksepäin (A), vedä sitä eteenpäin (B) ja nosta ylöspäin (C).
- ◆ Laittaaksesi suppilon takaisin toimi päinvastaisessa järjestyksessä.

**Terien vaihtaminen (kuva D1 - D4)**

Terät voidaan käyttää molemmin puolin.

Kun toinen puoli on tylsistynyt, voit käyttää toista puolta.



- ◆ Varmista, että kone on pois päältä ja irti virtalähteestä.
- ◆ Varo teriä. Käytä suojahansikkaita.

**Terien poisto**

- ◆ Poista suppilo yllä kuvatulla tavalla.
- ◆ Lukitse leikkuulevy käyttämällä puupalaa (8) kuvan D3 osoittamalla tavalla.
- ◆ Poista terät (9) löysäämällä kuusiokantaruuvit (10) koneen mukana toimitetulla kuusiokoloavaimella (kuva D4).

**Terien asennus**

## SUOMI

Uusien terien asentaminen:

- ◆ Aseta terät leikkuulevyyn pohjapuoli alaspäin. Terissä olevien reikien tulee olla samassa kohdassa leikkuulevyssä olevien reikien kanssa.
- ◆ Kiinnitä terät (9) lujasti kiristämällä ruuvit (10).
- ◆ Poista puupala (8).
- ◆ Laita suppilo (3) takaisin paikoilleen ja kiristä lukitusmutteri (7) (kuva D1 & D2).

### Tukkeutuneen oksasilppurin käynnistäminen

Mikäli moottori ylikuormittuu, kytkeytyy kone automaattisesti pois päältä.

- ◆ Anna moottorin jäähtyä muutaman minuutin ajan.

Mikäli moottori ei vielääkään käynnisty:



- ◆ Varmista, että kone on pois päältä ja irti virtalähteestä.
- ◆ Varo teriä. Käytä suojahansikkaita.
- ◆ Poista suppilo yllä kuvatulla tavalla.
- ◆ Poista varovasti kaikki materiaali koneesta.
- ◆ Aseta suppilo takaisin paikoilleen yllä kuvatulla tavalla.
- ◆ Kytke kone virtalähteeseen ja käynnistä se.

### YMPÄRISTÖ



Kun koneesi on käytetty loppuun, älä heitä sitä tavallisten roskien mukana pois, vaan vie se paikkakuntasi kierrätyskeskukseen tai jätä valtuutettuun Black & Deckerin huoltopisteeseen.

### Tekniset tiedot

	GS1400	
Jännite	V	230
Antoteho	W	1.400
Paino	kg	15

### TAKUU

Black & Decker Oy takaa, ettei laitteessa ollut materiaali- tai valmistusvikaa silloin, kun laite toimitettiin ostajalle.

- ◆ Takuu ei kata ostajan tavallisesti hoitamia

asennus- tai säätötoimenpiteitä, laitteen tavanomaisesta käytöstä johtuvaa kulumista tai muutosta, normaalia huoltoa tai käyttöohjeiden vastaisesta laitteiden hoidosta tai käytöstä, laitteen hoitamatta jättämisestä, ylikuormituksesta, tavanomaista intensiivisemmästä käytöstä tai muusta epätavallisesta käyttämisestä, uudelleen rakentamisesta, muuttamisesta tai muusta asiattomasta toimenpiteestä taikka muusta sellaisesta ostajan toimenpiteestä johtuvaa virhettä.

- ◆ Edellytyksenä takuuetujen saamiselle on, että ostaja ilmoittaa virheestä lähimmälle Black & Decker Oy:n valtuuttamalle huoltoliikkeelle 14 päivän kuluessa virheen ilmenemisestä tai siitä, kun ostajan olisi pitänyt huomata laitteessa olevan virheen.
- ◆ Ostajan on tällöin esitettävä laitteen ostoajankohtaa ja -paikkaa osoittava kuitti, lasku tai muu ostotodistus.
- ◆ Ostaja on velvollinen omalla kustannuksellaan toimittamaan laite purkamattomana sanottuun korjaamoon.

Kulutuskaupan osalta noudatetaan lisäksi jälleenmyyjän ja kuluttajan välillä kuluttajasuojalain säännöksiä.

### Ohjeet vian sattuessa

Toimita kone mahdollisimman pian Black & Deckerin valtuuttamaan huoltoliikkeeseen. Mikäli laitteessasi on vielä takuu voimassa (24kk ostopäivästä), toimita ostokuitti tai takuutodistus koneen mukana huoltoon.

- ◆ Black & Decker Oy vastaa siitä, että laite, jossa on takuun kattama virhe korjataan ilman kustannuksia ostajalle tai vaihdetaan uuteen laitteeseen Black & Decker Oy:n valinnan mukaan.
- ◆ Laitteen korjauksen tai vaihtoehtoisesti vaihdon lisäksi Black & Decker Oy:llä ei ole muuta laitteeseen liittyvää vastuuta lukuunottamatta vastuuta tahallisesti tai törkeästä huolimattomuudesta aiheutetusta vahingosta. Black & Decker Oy ei kuitenkaan missään olosuhteissa vastaa seurannais- tai välillisistä vahingoista.

Mikäli kulloinkin voimassa olevan lain tai

vallitsevan oikeuskäytännön nojalla katsottaisiin, että Black & Decker Oy:n vastuu olisi näissä takuuehdoissa tarkoitettua laajempi, on näihin takuuehtoihin sisältyvät vastuunrajoitukset lain tai oikeuskäytännön sallimissa rajoissa kuitenkin otettava huomioon mahdollista korvausvelvollisuutta tai korvauksen määrää rajoittavina ehtoina.

## HUOLTO

Mikäli koneeseen tulee vikaa, jätä se aina Black & Deckerin valtuuttamaan huoltoliikkeeseen korjattavaksi (tietoja saat uusimmasta tuoteluettelostamme/hinnastostamme tai ottamalla yhteyttä Black & Decker Oy:hyn). Täydelliset huoltotiedot löydät internetistä osoitteesta [www.2helpU.com](http://www.2helpU.com) tai kotisivuiltamme [www.blackdecker.fi](http://www.blackdecker.fi). Tiedot huolloista löytyvät myös käyttöohjeen lopusta.

Jatkuvan tuotekehittelyn seurauksena nämä tiedot saattavat muuttua. Niistä emme ilmoita erikseen.

## PARHAIMMAN TULOKSEN SAAMISEKSI

Materiaali	Materiaalin kunto silputtaessa	Ohjeita silputtaessa eri materiaaleja
Ohuet oksat ja puutarhajätteet	Kuten juuri leikattu	Syötä kuormittamatta silppuria.
Paksut oksat < 25 mm	Kuten juuri leikattu	Poista sivuoksat ja syötä kuormittamatta silppuria. Pidä paksummista oksista tukevasti kiinni.
Kukat, rikkaruohot ja pensaskasvit	Kuten juuri leikattu, suhteellisen kuiva	Poista maa ja kivet juurista. Älä jauha rikkaruohoja, joissa on siemeniä.
Juurileikatut lehtikasvit, pensasaidat, kasvisjätteet	Kuten juuri leikattu, ei kostea	Silputtaessa erittäin kosteaa materiaalia tulee kuivaa materiaalia silputa säännöllisin väliajoin väliin. Tämä puhdistaa silppuria.
Paperi ja kartonki	Täysin kuiva, löysästi rullattuna	Älä silppua tätä materiaalia heti sen jälkeen, kun olet silpunut kosteaa materiaalia.
Kuituiset lehdet	Täysin kuiva	Leikkaa pienempiin paloihin ennen silppuamista.

Seuraavat materiaalit sopivat kompostoimiseen ilman silppuamista:

- Leikattu ruoho
- Pehmeä kasvillisuus, erityisesti, jos se on märkää tai luonnollinen kompostoituminen on jo alkanut
- Kosteaa paperiä tai kartonkia

## MUITA PUUTARHATYÖKALUJA

Black & Deckerillä on laaja valikoima puutarhakoneita, jotka tekevät puutarhan hoidon helpoksi. Lisätietoja alla olevista tuotteista saat Black & Deckerin jälleenmyyjältä tai kotisivuiltamme [www.blackdecker.fi](http://www.blackdecker.fi).

Sammaleenpoistajat

Pensasleikkurit  
Ketjusahat  
Puutarhanpuhdistaja  
Nurmikonviimeistelijät  
Ruohonleikkurit  
Oksasilppurit

## ΜΗΧΑΝΗ ΤΕΜΑΧΙΣΜΟΥ GS1400

### ΣΥΓΧΑΡΗΤΗΡΙΑ!

Εχετε επιλέξει ένα εργαλείο της Black & Decker. Στόχος μας είναι να σας προσφέρουμε εργαλεία ποιότητας σε προσιτές τιμές. Ευελπιστούμε ότι θα απολαύσετε τη χρήση αυτού του εργαλείου για πολλά χρόνια.

### ΔΗΛΩΣΗ ΣΥΜΜΟΡΦΩΣΗΣ ΕΚ



GS1400

Black & Decker δηλώνει ότι αυτά τα ηλεκτρικά εργαλεία σχεδιάστηκαν σύμφωνα με: 98/37ΕΟΚ, 89/336ΕΟΚ, 73/23ΕΟΚ, DIN VDE 0730, DIN 11004

Ανώτατο όριο ηχητικής πίεσης, μέτρηση κατά DIN 11004:

GS1400		
$L_{pA}$ (ηχητική πίεση)	dB(A)	88,1
$L_{WA}$ (ακουστική δύναμη)	dB(A)	109,4



Λάβετε τα ενδεικμένα μέτρα προστασίας σε περίπτωση που η ακουστική πίεση υπερβαίνει τα 85 dB(A).

Ο σταθμισμένος τετραγωνικός μέσος όρος επιτάχυνσης κατά DIN 11004:

GS1400	
	4,6 m/s <sup>2</sup>

Brian Cooke  
Διευθυντής μηχανολογίας  
Spennymoor, County Durham DL16 6JG,  
United Kingdom

### ΕΝΔΕΔΕΙΓΜΕΝΗ ΧΡΗΣΗ

Η μηχανή τεμαχισμού για τον κήπο GS1400 της Black & Decker έχει σχεδιαστεί για τον τεμαχισμό των περισσότερων απορριμμάτων κουζίνας και κήπου, συμπεριλαμβανομένων των υπολειμμάτων του κλαδέματος δέντρων και φρακτών από φυτά, μικρών κλαδιών και άλλων οργανικών απορριμμάτων της περιποίησης του κήπου, καθώς και χαρτιών ή χαρτονιών.

Τα κατατεμαχισμένα απορρίμματα είναι ιδανικά για λιπασματοποίηση και καταλαμβάνουν μικρότερο όγκο, διευκολύντας έτσι την απόρριψή τους. Αυτή η μηχανή τεμαχισμού για τον κήπο προορίζεται μόνο για ερασιτεχνική και οικιακή χρήση: ο συνιστώμενος χρόνος τροφοδοσίας με υλικό είναι το 40% του συνολικού χρόνου λειτουργίας της μηχανής τεμαχισμού. Η επιλογή και συγκέντρωση του υλικού παρέχει, σε συνηθισμένες συνθήκες, αρκετό ανενεργό χρόνο για τη μηχανή.

### ΟΔΗΓΙΕΣ ΑΣΦΑΛΕΙΑΣ

#### Σύμβολα ασφαλείας

Στις παρούσες οδηγίες χρησιμοποιούνται τα ακόλουθα σύμβολα:



Συμβολίζει κίνδυνο τραυματισμού ή θανάτου ή βλάβης του εργαλείου σε περίπτωση που δεν τηρηθούν οι οδηγίες χρήσεως.



Συμβολίζει ηλεκτρική τάση.



Πριν χρησιμοποιήσετε το εργαλείο διαβάστε το παρόν εγχειρίδιο προσεκτικά.



**Γνωρίζετε το εργαλείο**

- ♦ **Προσοχή!** Κατά τη χρήση εργαλείων που τροφοδοτούνται με ηλεκτρικό ρεύμα, θα πρέπει πάντα να λαμβάνονται οι βασικές προφυλάξεις ασφαλείας, για τον περιορισμό του κινδύνου πυρκαγιάς, ηλεκτροπληξίας, σωματικών βλαβών και υλικών ζημιών.
- ♦ Πριν χρησιμοποιήσετε το εργαλείο διαβάστε προσεκτικά τις παρακάτω οδηγίες.
- ♦ Πριν χρησιμοποιήσετε το εργαλείο αυτό, βεβαιωθείτε ότι γνωρίζετε πώς να σβήσετε το εργαλείο σε περίπτωση έκτακτης ανάγκης.
- ♦ Φυλάξτε τις οδηγίες καλά.

**Γενικά****1. Λάβετε υπ' όψη τις επιδράσεις του περιβάλλοντος**

Μην εκθέτετε ηλεκτρικά εργαλεία σε υγρασία. Φροντίστε η περιοχή εργασίας να είναι καλά φωτισμένη. Μη χρησιμοποιείτε το εργαλείο αν υπάρχει κίνδυνος να προκληθεί πυρκαγιά ή έκρηξη, π.χ. κοντά σε εύφλεκτα υγρά και αέρια. Φροντίστε στο χώρο εργασίας να μην υπάρχουν υπολείμματα και εμπόδια.

**2. Κρατάτε τα παιδιά σε απόσταση**

Μην επιτρέπετε σε παιδιά, επισκέπτες ή ζώα να πλησιάζουν στο χώρο εργασίας ή να αγγίζουν το εργαλείο ή το καλώδιο τροφοδοσίας.

**3. Φοράτε τα κατάλληλα ρούχα εργασίας**

Μη φοράτε φαρδιά ρούχα ή κοσμήματα. Υπάρχει πιθανότητα να πιαστούν σε κινούμενα μέρη μηχανών. Για υπαίθριες εργασίες συνιστώνται λαστιχένια γάντια και υποδήματα που δε γλιστρούν. Εάν έχετε μακριά μαλλιά φοράτε προστατευτικό διχτάκι.

**4. Ατομική προστασία**

Φορέστε προστατευτικά γυαλιά. Φορέστε μάσκα προσώπου ή προστασίας από τη σκόνη, στις περιπτώσεις που η εργασία ενδέχεται να προκαλέσει την παραγωγή σκόνης ή αωρούμενων σωματιδίων. Φοράτε ωτασπίδες σε περιπτώσεις που η στάθμη του θορύβου σας προκαλεί δυσφορία.

**5. Λάβετε τις κατάλληλες προφυλάξεις για το ενδεχόμενο ηλεκτροπληξίας**

Αποφύγετε τη σωματική επαφή με γειωμένες ή συνδεδεμένες με το έδαφος επιφάνειες (π.χ. μεταλλικά κιγκλιδώματα, λάμπες κ.λπ.). Η ηλεκτρική ασφάλεια μπορεί να βελτιωθεί αν χρησιμοποιηθεί συσκευή παραμένουτος ρεύματος (RCD) υψηλής ευαισθησίας (30 mA/30 mS).

**6. Μη σκύβετε πάρα πολύ**

Φροντίστε πάντοτε να έχετε την κατάλληλη στάση και να διατηρείτε την ισορροπία σας.

**7. Να είστε πάντα προσεκτικοί**

Παρακολουθείτε την εργασία σας. Ενεργείτε λογικά. Μη χρησιμοποιείτε το εργαλείο όταν είστε κουρασμένος.

**8. Στηρίξτε με ασφαλή τρόπο το αντικείμενο στο οποίο εργάζεστε**

Όπου χρειάζεται, χρησιμοποιήστε σφιγκτήρες ή μέγγενη για συγκράτηση του τεμαχίου εργασίας.

Η μέθοδος αυτή είναι ασφαλέστερη και ελευθερώνει και τα δύο σας χέρια για το χειρισμό του εργαλείου.

**9. Απομακρύνετε από το μηχάνημα τα κλειδιά που χρησιμοποιείτε για τη ρύθμισή του**

Πριν βάλετε σε λειτουργία το εργαλείο, βεβαιωθείτε πάντα ότι έχετε βγάλει από αυτό τα κλειδιά για τη ρύθμισή του.

**10. Καλώδια επιμήκυνσης**

Πριν τη χρήση, επιθεωρήστε το καλώδιο επιμήκυνσης και αντικαταστήστε το, αν έχει φθαρεί. Χρησιμοποιείτε μόνο καλώδια επιμήκυνσης που προορίζονται για χρήση σε εξωτερικό χώρο.

**11. Χρησιμοποιείτε το σωστό εργαλείο**

Η ενδεδειγμένη χρησιμοποίηση αναφέρεται σε αυτές τις οδηγίες χρήσεως.

Μη χρησιμοποιείτε εργαλεία χαμηλής ισχύος ή προσθήκες για βαριές εργασίες.

Το εργαλείο σας θα λειτουργήσει επιτυχέστερα και ασφαλέστερα εάν χρησιμοποιηθεί σύμφωνα με της προδιαγραφές του. Μη ζορίζετε το εργαλείο.

**Προσοχή!** Τόσο η χρήση εξαρτημάτων ή προσθηκών όσο και η πραγματοποίηση εργασιών που δεν συνιστώνται στις οδηγίες αυτές εγκυμονεί κίνδυνο τραυματισμού.

**12. Ελέγχετε εάν το εργαλείο σας έχει θλάβες**

Πριν από τη χρήση, ελέγξτε προσεκτικά το εργαλείο και το καλώδιο τροφοδοσίας για τυχόν ζημιές. Ελέγξτε για τυχόν κακή ευθυγράμμιση και εμπλοκή των κινούμενων μερών, για μέρη που έχουν σπάσει, για τυχόν ζημιές στους προφυλακτήρες και τους διακόπτες, και γενικά κάθε είδους συνθήκες οι οποίες ενδέχεται να επηρεάσουν τη λειτουργία του εργαλείου. Βεβαιωθείτε ότι το εργαλείο λειτουργεί κανονικά και χρησιμοποιείται για το σκοπό για τον οποίο προορίζεται.

Μη χρησιμοποιείτε το εργαλείο αν κάποιο εξάρτημά του παρουσιάζει ελάττωμα.

Μη χρησιμοποιείτε το εργαλείο, εάν ο διακόπτης δεν μπορεί να το θέσει ενός ή εκτός λειτουργίας. Φροντίστε για την επισκευή ή αντικατάσταση τυχόν ελαττωματικών εξαρτημάτων από εξουσιοδοτημένο κέντρο επισκευών. Ποτέ μην επιχειρήσετε να επισκευάσετε οι ίδιοι το εργαλείο. Εάν το καλώδιο τροφοδοσίας είναι κατεστραμμένο, πρέπει να αντικατασταθεί από εξουσιοδοτημένο κέντρο επισκευής, ώστε να μην προκύψει κίνδυνος.

**13. Βγάλτε το εργαλείο από την πρίζα**

Βγάλτε το εργαλείο από την πρίζα όταν το εργαλείο δεν χρησιμοποιείται, προτού αλλάξετε οποιοδήποτε ανταλλακτικό, παρελκόμενο ή εξάρτημα του εργαλείου, και πριν από τη συντήρησή του.

**14. Αποφύγετε την τυχαία εκκίνηση του εργαλείου**

Μη μεταφέρετε το εργαλείο έχοντας το δάκτυλό σας πάνω στο διακόπτη εκκίνησης. Όταν βάζετε την πρίζα, βεβαιωθείτε ότι ο διακόπτης του εργαλείου είναι κλειστός.

**15. Μην κακομεταχειρίζεστε το καλώδιο**

Ποτέ μη μεταφέρετε το εργαλείο κρατώντας το από το καλώδιο και μην το τραβάτε από το καλώδιο για να το βγάλετε από την πρίζα. Φροντίστε το καλώδιο να παραμένει μακριά από τη θερμότητα, τα λάδια και από αιχμηρές ακμές.

**16. Φυλάγετε τα εργαλεία σας σε ασφαλές μέρος**

Ηλεκτρικά εργαλεία που δεν χρησιμοποιούνται πρέπει να φυλάσσονται σε στεγνούς, κλειστούς χώρους ή σε μεγάλο ύψος, μακριά από παιδιά.

**17. Συντηρήστε προσεκτικά τα εργαλεία**

Φροντίστε τα εργαλεία σας να είναι κοφτερά και καθαρά, ώστε να προσφέρουν υψηλή απόδοση και ασφάλεια κατά τη χρήση τους. Ακολουθήστε τις σχετικές οδηγίες σε ότι αφορά τη συντήρηση και την αλλαγή των εξαρτημάτων. Φροντίστε οι λαβές και οι διακόπτες να είναι στεγνοί, καθαροί και χωρίς λάδια ή γράσα.

**18. Επισκευές**

Το εργαλείο αυτό συμμορφώνεται με τις σχετικές προϋποθέσεις ασφαλείας.

Οι επισκευές θα πρέπει να γίνονται μόνο από ειδικευμένους τεχνικούς και με τη χρήση αποκλειστικά γνήσιων ανταλλακτικών, διαφορετικά υπάρχει το ενδεχόμενο σοβαρού κινδύνου για το χρήστη.

**Συμπληρωματικές οδηγίες ασφαλείας για τις μηχανές τεμαχισμού**

Διαβάστε το εγχειρίδιο πριν το χειρισμό.



Κίνδυνος - περιστρεφόμενες λεπίδες. Διατηρείτε τα χέρια και τα πόδια σας μακριά από τα ανοίγματα.



Μη λειτουργείτε ποτέ τη μηχανή τεμαχισμού, παρά μόνο εφόσον η χοάνη της είναι τοποθετημένη και γερά στερεωμένη.



Μην εκθέτετε ηλεκτρικά εργαλεία σε υγρασία.



Μη βάζετε ποτέ τα χέρια σας στην περιοχή κοπής, όταν οι λεπίδες είναι σε λειτουργία ή όταν η μηχανή τεμαχισμού είναι στην πρίζα. Οι λεπίδες συνεχίζουν να περιστρέφονται για μερικά δευτερόλεπτα ακόμα από τη στιγμή που θα κλείσετε τη μηχανή τεμαχισμού.



Πριν από την εκτέλεση εργασιών συντήρησης στο εργαλείο, θα πρέπει να το σβήσετε και να το βγάλετε από την πρίζα.



Κατά τη χρήση αυτού του εργαλείου, να φοράτε προστατευτικά γυαλιά.



Κατά τη χρήση αυτού του εργαλείου, να φοράτε ωτοασπίδες.



Κατά τη χρήση αυτού του εργαλείου, να φοράτε γάντια.

- ◆ Πριν τη χρήση, βεβαιωθείτε ότι το εργαλείο είναι τοποθετημένο σε σταθερή και επίπεδη επιφάνεια.
- ◆ Μην κοιτάζετε ποτέ απευθείας στο στόμιο εξόδου όταν η μηχανή τεμαχισμού είναι σε λειτουργία γιατί μπορεί να εκτοξευτούν μικρά τεμάχια.
- ◆ Μην επιχειρήσετε ποτέ να τεμαχίσετε κόκκαλα, πέτρες, γυαλιά, μέταλλα, πλαστικά ή υφάσματα.
- ◆ Μην επιτρέπετε σε μικρά παιδιά ή σε άτομα που δεν έχουν διαβάσει το εγχειρίδιο οδηγιών ή που δεν έχουν εξοικειωθεί με το εργαλείο να το χειριστούν.
- ◆ Να έχετε υπόψη σας η ευθύνη για ατυχήματα ή κινδύνους για τρίτους ή την παρουσία τρίτων μπορεί να καταλογιστεί στο χειριστή.

#### ΗΛΕΚΤΡΙΚΗ ΑΣΦΑΛΕΙΑ

Το ηλεκτρικό μοτέρ είναι σχεδιασμένο να λειτουργεί σε μια και μόνο τάση. Ελέγχετε πάντοτε αν η τάση τροφοδοσίας αντιστοιχεί σε αυτήν που αναγράφεται στην πλακέτα του εργαλείου.



Χρειάζεται καλώδιο γείωσης για το εργαλείο.

#### Χρήση καλωδίου επέκτασης

Χρησιμοποιήστε εγκεκριμένο τρίκλωνο καλώδιο επέκτασης κατάλληλο για την απορροφούμενη ηλεκτρική ισχύ αυτού του εργαλείου (δείτε τα τεχνικά στοιχεία). Σε εξωτερικούς χώρους, χρησιμοποιείτε καλώδια που είναι κατάλληλα για το σκοπό αυτό και φέρουν σχετική σήμανση. Η ελάχιστη διατομή του αγωγού είναι 1,5 mm<sup>2</sup>. Όταν χρησιμοποιείτε καρούλι καλωδίου, πάντα ξετυλίγετε τελείως το καλώδιο.

#### ΠΕΡΙΕΧΟΜΕΝΑ ΣΥΣΚΕΥΑΣΙΑΣ

Η συσκευασία περιέχει:

- 1 Σώμα της μηχανής τεμαχισμού με τη χοάνη
- 3 Πόδια
- 3 Βίδες στερέωσης των ποδιών
- 1 Κλειδί Allen
- 1 Οδηγίες χρήσης

- ◆ Αφαιρέστε προσεκτικά από τη συσκευασία όλα τα κομμάτια.

#### ΓΕΝΙΚΗ ΠΕΡΙΓΡΑΦΗ (εικ. Α)

1. Διακόπτης λειτουργίας (On/off)
2. Σώμα
3. Χοάνη
4. Πίσω πόδι
5. Μπροστίνα πόδια
6. Βίδα στερέωσης ποδιού
7. Σφιγκτήρας χοάνης

#### ΣΥΝΑΡΜΟΛΟΓΗΣΗ



Πριν από τη συναρμολόγηση, βεβαιωθείτε ότι το εργαλείο είναι σβηστό και ότι το φως του δεν είναι στην πρίζα.

#### Τοποθέτηση των ποδιών (εικ. Β, D1 & D2)

- ◆ Ξεβιδώστε το σφιγκτήρα της χοάνης (7) και αφαιρέστε τη χοάνη (3) (εικ. D1 & D2).
- ◆ Αναποδογυρίστε τη μηχανή τεμαχισμού και ακουμπήστε την στο δάπεδο.
- ◆ Τοποθετήστε το πίσω πόδι (4) στο αντίστοιχο άνοιγμα που υπάρχει στο σώμα της μηχανής (2) όπως απεικονίζεται. Ευθυγραμμίστε την οπή της βίδας (11) με το κάτω μέρος της σχισμής (12).
- ◆ Στερεώστε το πόδι με μία βίδα στερέωσης (6).
- ◆ Τοποθετήστε και τα δύο μπροστίνα πόδια (5) στα αντίστοιχα ανοίγματα στο σώμα της μηχανής (2) όπως απεικονίζεται. Ευθυγραμμίστε την οπή της βίδας (11) με το κάτω μέρος της σχισμής (12).
- ◆ Στερεώστε το κάθε πόδι με μια βίδα στερέωσης (6).
- ◆ Γυρίστε όρθια τη μηχανή τεμαχισμού ώστε να στηρίζεται στα πόδια της και τοποθετήστε ξανά τη χοάνη στη θέση της. Σφίξτε καλά το σφιγκτήρα της χοάνης.

## ΕΛΛΗΝΙΚΑ

### ΧΡΗΣΗ



- ♦ Αφήστε το εργαλείο να λειτουργήσει στο δικό του ρυθμό και μην το υπερφορτώνετε.
- ♦ Μη σβήνετε τη μηχανή τεμαχισμού προτού αυτή αδειάσει εντελώς, γιατί επανεκκίνησή της θα είναι δύσκολη.
- ♦ Αφαιρέστε το χώμα και τις πέτρες από τις ρίζες των φυτών, πριν τις τεμαχίσετε.
- ♦ Κρατάτε γερά τα κλαδιά όταν τα τροφοδοτείτε στη μηχανή τεμαχισμού.

#### Θέση εντός και εκτός λειτουργίας (εικ. C)

- ♦ Για να ανάψετε το εργαλείο, βάλτε το διακόπτη on/off (1) στη θέση I.
- ♦ Για να σβήσετε το εργαλείο, βάλτε το διακόπτη on/off στη θέση O.

#### Συμβουλές για άριστη χρήση

- ♦ Τεμαχίστε τα στεγνά υλικά τελευταία, γιατί με αυτό τον τρόπο τα υγρά υλικά θα απομακρυνθούν από τη μηχανή τεμαχισμού.
- ♦ Μην αφήνετε τα υλικά να συσσωρεύονται και να λιπασματοποιούνται πριν τα τεμαχίσετε.
- ♦ Μπορείτε να τροφοδοτήσετε τα τεμαχισμένα υλικά για δεύτερη φορά στη μηχανή τεμαχισμού, για να ελαχιστοποιήσετε ακόμη περισσότερο τον όγκο τους.
- ♦ Ανατρέξτε στον πίνακα στο τέλος αυτού του κειμένου.

### ΣΥΝΤΗΡΗΣΗ

Αυτό το εργαλείο της Black & Decker έχει σχεδιαστεί έτσι ώστε να λειτουργεί για μεγάλο χρονικό διάστημα με την ελάχιστη δυνατή φροντίδα. Η αδιάλειπτη και κανονική λειτουργία του εξαρτάται από τη φροντίδα του εργαλείου και τον τακτικό καθαρισμό του.



Πριν από την εκτέλεση εργασιών συντήρησης στο εργαλείο, θα πρέπει να το σβήσετε και να το βγάλετε από την πρίζα.

- ♦ Μετά από τη χρήση, ανοίξτε τη χοάνη όπως περιγράφεται παρακάτω. Καθαρίστε και στεγνώστε το κάλυμμα και την περιοχή όπου υπάρχουν οι λεπίδες. Αποφύγετε την επαφή με τις λεπίδες.
- ♦ Ελέγχετε τακτικά ότι οι λεπίδες είναι κοφτερές. Ανταλλακτικές λεπίδες διατίθενται από τα εξουσιοδοτημένα κέντρα σέρβις της Black & Decker.  
Για να αντικαταστήσετε τις λεπίδες, ακολουθήστε τις παρακάτω οδηγίες.

#### Αφαίρεση της χοάνης (εικ. D1 & D2)

Για να έχετε πρόσβαση στο σημείο όπου βρίσκονται οι λεπίδες, θα πρέπει να αφαιρέσετε τη χοάνη.



Βεβαιωθείτε ότι το εργαλείο είναι σβηστό και ότι το φως του δεν είναι στην πρίζα.

- ♦ Ξεβιδώστε το σφιγκτήρα της χοάνης (7).
- ♦ Γείρετε τη χοάνη (3) προς τα πίσω (A), σπρώξτε την προς τα εμπρός (B) και ανασηκώστε την (C).
- ♦ Για να επανατοποθετήσετε τη χοάνη, ακολουθήστε τα παραπάνω βήματα με την αντίθετη σειρά.

#### Αντικατάσταση των λεπίδων (εικ. D1 - D4)

Οι λεπίδες μπορούν να χρησιμοποιηθούν κι από τις δύο πλευρές. Όταν η μία τους πλευρά στομώσει, μπορείτε να χρησιμοποιήσετε την άλλη πλευρά.



- ♦ Βεβαιωθείτε ότι το εργαλείο είναι σβηστό και ότι το φως του δεν είναι στην πρίζα.
- ♦ Προσέξτε να μην κοπείτε.  
Είναι προτιμότερο να φοράτε προστατευτικά γάντια.

#### Αφαίρεση

- ♦ Αφαιρέστε τη χοάνη όπως περιγράφεται παραπάνω.
- ♦ Κρατήστε σταθερό το δίσκο της λεπίδας με ένα κομμάτι ξύλο (8) όπως απεικονίζεται (εικ. D3).
- ♦ Αφαιρέστε τις λεπίδες (9) ξεβιδώνοντας τις βίδες Allen (10) χρησιμοποιώντας το κλειδί Allen που σας παρέχεται (εικ. D4).

**Επανατοποθέτηση**

Για να επανατοποθετήσετε τις λεπίδες:

- ♦ Τοποθετήστε τις λεπίδες πάνω στο δίσκο με την άγρια πλευρά τους να βλέπει προς τα πάνω. Οι οπές των λεπίδων θα πρέπει να έρθουν στην ίδια ευθεία με εκείνες του δίσκου.
- ♦ Στερεώστε καλά τις λεπίδες (9) σφίγγοντας τις βίδες Allen (10).
- ♦ Αφαιρέστε το κομμάτι του ξύλου (8).
- ♦ Βάλτε ξανά στη θέση της τη χοάνη (3) και σφίξτε το σφιγκτήρα της χοάνης (7) (εικ. D1 & D2).

**Επανεκκίνηση μιας μηχανής τεμαχισμού που έχει φράξει**

Σε περίπτωση υπερφόρτωσης του μοτέρ, το εργαλείο θα σβήσει αυτόματα.

- ♦ Αφήστε το μοτέρ να κρυώσει για μερικά λεπτά.

Αν το μοτέρ δεν επανεκκινείται:



- ♦ Βεβαιωθείτε ότι το εργαλείο είναι σβηστό και ότι το φως του δεν είναι στην πρίζα.
- ♦ Προσέξτε να μην κοπείτε. Είναι προτιμότερο να φοράτε προστατευτικά γάντια.
- ♦ Αφαιρέστε τη χοάνη όπως περιγράφεται παραπάνω.
- ♦ Αφαιρέστε με προσοχή όλα τα υλικά από τη μηχανή τεμαχισμού.
- ♦ Βάλτε ξανά στη θέση της τη χοάνη, όπως περιγράφεται παραπάνω.
- ♦ Βάλτε το εργαλείο στην πρίζα και ανάψτε το.

**ΔΙΑΘΕΣΗ ΕΡΓΑΛΕΙΩΝ ΚΑΙ ΠΕΡΙΒΑΛΛΟΝ**

Παραδώστε το εργαλείο σας σε ένα εξουσιοδοτημένο σταθμό συντήρησης. Οι τεχνικοί του θα μεριμνήσουν για την διάθεσή του κατά τρόπο που δεν βλάπτει το περιβάλλον.

**Τεχνικά χαρακτηριστικά**

	GS1400	
Τάση	V	230
Απορροφούμενη ισχύς	W	1.400
Βάρος	kg	15

**ΕΓΓΥΗΣΗ**

Όλα τα προϊόντα κήπου της Black & Decker έχουν εγγύηση ενός έτους, η οποία καλύπτει όλα τα εξαρτήματα και τον κινητήρα καθώς και τα εργατικά. Εάν το εργαλείο της Black & Decker αποβεί ελαττωματικό λόγω ελαττωματικών υλικών ή εργασίας εντός 12 μηνών από την ημερομηνία αγοράς, εγγυόμαστε να αντικαταστήσουμε δωρεάν όλα τα ελαττωματικά μέρη, δεδομένου ότι:

- ♦ Το εργαλείο επιστραφεί στο κέντρο σέρβις της Black & Decker με απόδειξη την ημερομηνία αγοράς.
- ♦ Το εργαλείο έχει αγοραστεί για να χρησιμοποιείται από τον χρήστη και όχι για σκοπούς ενοικίασης.
- ♦ Το εργαλείο δεν έχει χρησιμοποιηθεί αντικανονικά ή χειριστεί απρόσεκτα.
- ♦ Δεν έχουν επιχειρηθεί επισκευές από πρόσωπα άλλα από το προσωπικό της υπηρεσίας μας. Η βλάβη είναι αποτέλεσμα φυσικής φθοράς.

Η εγγύηση προσφέρεται ως πρόσθετο πλεονέκτημα και δεν επηρεάζει τα νομοθετημένα δικαιώματά σας.

**Η πολιτική εγγύησης**

Βλάβες που οφείλονται στις ακόλουθες περιπτώσεις δεν καλύπτονται:

- ♦ Η αντικατάσταση χαλασμένων ή σπασμένων λεπίδων, γραμμών νάυλων και αλυσίδων, ή καλωδίων που έπαθαν βλάβη κατά τη διάρκεια αποθήκευσης ή χρήσης. Αυτές οι περιπτώσεις θεωρούνται ειδή αντικατάστασης που φθείρονται λόγω κανονικής χρήσης.
- ♦ Βλάβες λόγω αιφνίδιου τραντάγματος ή προφανούς κακομεταχείρισης.
- ♦ Βλάβες λόγω χρήσης που δεν συμμορφώνεται με τις οδηγίες και τις συστάσεις που περιέχονται στο βιβλίο οδηγιών.

## ΕΛΛΗΝΙΚΑ

**Η χρήση άλλων εξαρτημάτων και ανταλλακτικών εκτός των αυθεντικών της Black & Decker, μπορεί να προκαλέσει θλάξη ή να μειώσει την απόδοση του εργαλείου της Black & Decker και να επιφέρει την ακύρωση της εγγύησης.**

### ΥΠΗΡΕΣΙΑ ΜΕΤΑ ΑΠΟ ΤΗΝ ΠΩΛΗΣΗ

Πολλές λεπτομέρειες σχετικά με την υπηρεσία μετά από την πώληση είναι διαθέσιμες στο Internet στη διεύθυνση [www.2helpU.com](http://www.2helpU.com). Εναλλακτικά, επικοινωνήστε με το Κέντρο Εξυπηρέτησης και Πληροφόρησης, στη διεύθυνση που αναφέρεται στο οπισθόφυλλο αυτών των οδηγιών χρήσης.

Η Black & Decker αποσκοπεί στην πλήρη ικανοποίηση των πελατών της με τα προϊόντα της και με την παροχή τεχνικής εξυπηρέτησης μετά την πώληση. Αν χρειάζεστε κάποια βοήθεια ή συμβουλή, παρακαλώ επικοινωνήστε με τον τοπικό αντιπρόσωπο της Black & Decker.

Αμα το προϊόν σας χρειάζεται επισκευή, παρακαλώ πηγαίστε το ή στείλτε το σ'ένα απο τα εξουσιοδοτημένα service της Black & Decker, παρέχοντας την απόδειξη αγοράς σας. Η Black & Decker προσφέρει ένα εθνικό δίκτυο Τεχνικής Εξυπηρέτησης.

Αν θέλετε να μάθετε περισσότερες λεπτομέρειες για τις προστιθέμενες υπηρεσίες που προσφέρονται από την Black & Decker, παρακαλώ απευθυνθείτε σε ένα απο τα εξουσιοδοτημένα service της Black & Decker.

## ΣΥΜΒΟΥΛΕΩ ΓΙΑ ΑΡΙΣΤΗ ΧΡΗΣΗ

Υλικά	Συνιστώμενες συνθήκες τεμαχισμού	Παρατηρήσεις
Κλαδάκια και υπολείμματα	Όπως έχουν κοπεί	Τροφοδοσία χωρίς υπερφόρτωση κλαδέματος
Κλαδιά < 25 mm	Όπως έχουν κοπεί	Κόψτε τα παρακλάδια Τροφοδοσία χωρίς υπερφόρτωση. Κρατήστε σταθερά τα κλαδιά με μεγάλη διάμετρο.
Αναρριχητικά φυτά, ζιζάνια, συστάδες χόρτου	Όπως έχουν κοπεί, αρκετά στεγνά	Βγάλτε το χώμα και τις πέτρες από τις ρίζες. Μην τεμαχίζετε χορτάρια που έχουν βγάλει σπόρους.
Φρεσκοκομμένα φύλλα, υπολείμματα κλαδέματος θάμνων, υπολείμματα λαχανικών	Όπως έχουν κοπεί, χωρίς να έχουν επιφανειακή υγρασία	Κατά τον τεμαχισμό υλικών με μεγάλο ποσοστό υγρασίας, να τροφοδοτείτε τακτικά τη μηχανή και με ξηρό υλικό για να καθαρίζει.
Χαρτί και χαρτόνι	Πολύ στεγνά, τυλιγμένα χαλαρά σε ρολό	Μην τεμαχίζετε αυτά τα υλικά μετά από υγρά υλικά.
Ινώδη φύλλα, μίσχοι από αγριόχορτα	Πολύ στεγνά	Κόψτε τα σε κομμάτια μικρότερου μήκους πριν τον τεμαχισμό.

Τα ακόλουθα υλικά είναι κατάλληλα για λιπασματοποίηση χωρίς να τεμαχιστούν:

- Υπολείμματα κοπής γκαζόν
- Χαλαρή βλάστηση, ειδικά όταν είναι νωπή ή όταν έχει αρχίσει η αποσύνθεσή της
- Υγρό χαρτί ή χαρτόνι

## ΑΛΛΑ ΕΡΓΑΛΕΙΑ ΚΗΠΟΥ

Η Black & Decker διαθέτει μία πλήρη σειρά εργαλείων κήπου, τα οποία διευκολύνουν την εργασία σας στον κήπο. Για περισσότερες πληροφορίες σχετικά με τα προϊόντα που αναφέρονται παρακάτω, επικοινωνήστε με το Κέντρο Εξυπηρέτησης και Πληροφόρησης (στη διεύθυνση που αναφέρεται προς το τέλος αυτών των οδηγιών χρήσης) ή με το πλησιέστερο εξουσιοδοτημένο κατάστημα της Black & Decker.

Μηχανές φινιρίσματος χόρτου  
 Αλυσοπρίονα  
 Φορτιζόμενα ψαλίδια  
 Χλοοκοπτικές μηχανές  
 Απορροφητήρας/Φυσητήρας φύλλων  
 Σπαστήρας φύλλων/κλαδιών

Δεν είναι όλα τα προϊόντα διαθέσιμα σε όλες τις χώρες.







<b>Australia</b>	DeWALT Industrial Power Tool Company 7 Clarice Road, Box Hill, Victoria 3128	Tel. 03 9895 9200 Fax 03 9899 7465
<b>Belgique/België</b>	Black & Decker (Belgium) N.V. Weihoek 1, 1930 Zaventem	Tel. 02/719.07.11 Fax 02/719.08.10
<b>Danmark</b>	Black & Decker Hejrevang 26B, 3450 Allerød Internet: www.blackdecker.dk	Tel. 70 20 15 10 Fax 48 14 13 99
<b>Deutschland</b>	Black & Decker GmbH Black & Decker Str. 40, D - 65510 Idstein	Tel. 06126/21 24 83 Fax 06126/21 26 01
<b>Ελλάς</b>	Black & Decker (Ελλάς) A.E. Στράβωνος 7 & Βουλιαγμένης 159 Γλυφάδα 16674, Ελλάδα	Τηλ. (01) 8981-616 Φαξ (01) 8983-570 Service (01) 8982-630
<b>España</b>	Black & Decker Spain Parque de Negocios "Mas Blau" Edificio Muntadas, c/Bergadá, 1, Of. A6 08820 El Prat de Llobregat (Barcelona)	Tel. 934 797 400 Fax 934 797 419
<b>France</b>	Black & Decker (France) S.A.S. B.P. 21, 69571 Dardilly Cédex	Tel. 04 72 20 39 20 Fax 04 72 20 39 00
<b>Helvetia</b>	Eduard Luggen Black & Decker-Service Schweiz Industriestrasse 1 / Postfach 323 8157 Dielsdorf	Tel. 01/854 01 01 Fax 01/854 02 02
<b>Italia</b>	Black & Decker Italia SpA Viale Elvezia 2 20052 Monza (MI)	Tel. 039-23871 Fax 039-2387592/2387594 Numero verde 800-213935
<b>Nederland</b>	Black & Decker (Nederland) BV Florijnstraat 10, 4879 AH Etten-Leur	Tel. 076-5082000 Fax 076-5038184
<b>New Zealand</b>	Black & Decker 81 Hugo Johnson Drive Penrose, Auckland, New Zealand	Tel. 09 579 7600 Fax 09 579 8200
<b>Norge</b>	Black & Decker (Norge) A/S Postboks 248, Leirdal, 1011 Oslo Internet: www.blackdecker.no	Tlf. 22 90 99 00 Fax 22 90 99 01
<b>Österreich</b>	Black & Decker Vertriebsges.m.b.H Erlaaerstraße 165, 1231 Wien	Tel. 01 66116-0 Fax 01 66116-14
<b>Portugal</b>	Black & Decker Rua Egas Moniz 173, 2766-651 S. João do Estoril	Tel. 214667500 Fax 214667575
<b>South Africa</b>	Black & Decker South Africa (Pty) Ltd Physical address: 146 Lechwe Street, Corporate park Randjiesfontein, Midrand Postal address: Postnet Suite 107, Private Bag X65 Halfway House 1685	Tel. (011) 653-1400 Fax (011) 653-1499
<b>Suomi</b>	Black & Decker Oy Palotie 3, 01610 Vantaa Black & Decker Oy, Brandvägen 3, 01610 Vanda	Puh: (09) 825 4540 Fax: (09) 825 45 444 Tel: (09) 825 4540 Fax: (09) 825 45 444
<b>Sverige</b>	Black & Decker AB Box 603, 421 26 Västra Frölunda, Besöksadr. Ekonomivägen 11	Tel: 031-68 60 00 Fax: 031-68 60 08
<b>Türkiye</b>	Black & Decker Merkez Servis Dudullu Cad. Kerembey Sok. No. 1 Küçükbakkalköy/Istanbul	Tel. 0216 455 89 73 Faks 0216 455 20 52
<b>United Kingdom</b>	Black & Decker 210 Bath Road Slough, Berkshire SL1 3YD	Tel. 01753 511234 Fax 01753 551155 Helpline 01753 574277

Dealer address  
 Händleradresse  
 Cachet du revendeur  
 Indirizzo del rivenditore  
 Adres van de dealer  
 Dirección del detallista  
 Morada do revendedor  
 Återförsäljarens adress  
 Forhandlens adresse  
 Forhandler adresse  
 Jälleenmyyjän osoite  
 Διεύθυνση αντιπροσώπου

Date of purchase  
 Kaufdatum  
 Date d'achat  
 Data d'acquisto  
 Aankoopdatum  
 Fecha de compra  
 Data de compra  
 Inköpsdatum  
 Innkjøpsdato  
 Indkøbsdato  
 Ostopäivä  
 Ημερομηνία αγοράς

.....

- ◆ Name ◆ Nom ◆ Nome
- ◆ Naam ◆ Nombre ◆ Nome ◆ Namn
- ◆ Navn ◆ Navn ◆ Nimi ◆ Oνομα:

- ◆ Is this tool a gift? ◆ Ist dieses Gerät ein Geschenk? ◆ S'agit-il d'un cadeau? ◆ Si tratta di un regalo? ◆ Kreeg u de machine als cadeau? ◆ ¿Ha recibido usted esta herramienta como regalo? ◆ Recebeu esta ferramenta como presente? ◆ Är verktyget en gåva? ◆ Er verkøyet en gave? ◆ Er verkjøpet en gave? ◆ Onko kone lahja? ◆ Το εργαλείο είναι δωρό?

- ◆ Address ◆ Adresse ◆ Adresse ◆ Indirizzo ◆ Adres ◆ Dirección ◆ Morada ◆ Address ◆ Adresse ◆ Adresse ◆ Osoite ◆ Διεύθυνση:

- ◆ Town ◆ Ort ◆ Ville ◆ Città ◆ Plaats ◆ Ciudad ◆ Localidade ◆ Ort ◆ By ◆ By ◆ Paikkakunta ◆ Πόλη:

- ◆ Postal code ◆ Postleitzahl ◆ Code postal ◆ Codice postale ◆ Postcode ◆ Código ◆ Código postal ◆ Postnr. ◆ Postnr. ◆ Postnr. ◆ Postnummero ◆ Κωδικός

- verkjøy? ◆ Onko tämä ensimmäinen B&D-koneesi? ◆ Είναι το εργαλείο αυτό η πρώτη σας αγορά?

- ◆ Yes ◆ Ja ◆ Oui ◆ Si ◆ Ja ◆ Si ◆ Sim ◆ Ja ◆ Ja ◆ Ja ◆ Kyllä ◆ Nat

- ◆ No ◆ Nein ◆ Non ◆ No ◆ Nee ◆ No ◆ Não ◆ Nej ◆ Nei ◆ Nej ◆ Ei ◆ OXt

- ◆ Dealer address ◆ Händleradresse ◆ Cachet du revendeur ◆ Indirizzo del rivenditore ◆ Adres van de dealer ◆ Dirección del detallista ◆ Morada do revendedor ◆ Återförsäljarens adress ◆ Forhandlens adresse ◆ Forhandler adresse ◆ Jälleenmyyjän osoite ◆ Διεύθυνση αντιπροσώπου

Cat. no.: 

- ◆ Data protection act: Tick the box if you prefer not to receive further information. ◆ Bitte ankreuzen, falls Sie keine weiteren Informationen erhalten möchten. ◆ Si vous ne souhaitez pas recevoir d'informations, cochez cette case. ◆ Barrate la casella se non desiderate ricevere informazioni. ◆ A.u.b., dit vakje aankruisen indien u geen informatie wenst te ontvangen. ◆ Señale en la casilla sino quiere recibir información. ◆ Por favor, assinala com uma cruz se não desejar receber informação. ◆ Vänligen kryssa för i rutan om Ni inte vill ha information. ◆ Vennligst kryss av dersom du ikke ønsker informasjon. ◆ Venligst sæt kryds i ruden såfremt De ikke måtte ønske at modtage information. ◆ Merkitkää rasti ruutuun, mikäli ette halua vastaanottaa informaatiota. ◆ Παρακαλείστε να σημειώσετε εάν δεν θέλετε να λάβετε πληροφορίες.

- ◆ GUARANTEE CARD
- ◆ GARANTIEKART
- ◆ GARANTI KORT
- ◆ GARANTIEKARTE
- ◆ TARJETA DE GARANTÍA
- ◆ GARANTI KORT
- ◆ CARTE DE GARANTIE
- ◆ CARTÃO DE GARANTIA
- ◆ TAKUKORTTI
- ◆ TAGLIANDO DI GARANZIA
- ◆ GARANTIBEVIS
- ◆ KAPTA EΓΓΥΗΣΗΣ



<b>English</b>	Please complete this section immediately after the purchase of your tool and send it to Black & Decker in your country. If you live in Australia or New Zealand, please register by using the alternative guarantee card supplied.	<b>Español</b>	Después de haber comprado su herramienta envíe usted, por favor, esta tarjeta a la central de Black & Decker en su país.
<b>Deutsch</b>	Bitte schneiden Sie diesen Abschnitt ab, stecken ihn in einen frankierten Umschlag und schicken ihn an die Black & Decker Adresse Ihres Landes.	<b>Português</b>	Por favor, recorte esta parte, coloque-a num envelope selado e endereçado e envie-o logo após a compra do seu produto para o endereço da Black & Decker do seu país.
<b>Français</b>	Découpez cette partie et envoyez-la sous enveloppe timbrée à l'adresse de Black & Decker dans votre pays, ceci immédiatement après votre achat.	<b>Svenska</b>	Var vänlig klipp ur denna del och sänd den i ett frankerat kuvert till Black & Deckers adress i Ditt land.
<b>Italiano</b>	Per favore ritagliate questa parte, inseritela in una busta con francobollo e spedite-la subito dopo l'acquisto del prodotto all'indirizzo della Black & Decker nella vostra nazione.	<b>Norsk</b>	Vennligst klipp ut denne delen umiddelbart etter du har pakket ut ditt produkt og legg det i en adressert konvolutt til Black & Decker (Norge) A/S.
<b>Nederlands</b>	Knip dit gedeelte uit en zend het direct na aankoop in een gefrankeerde, geaddresserde envelop naar het adres van Black & Decker in uw land.	<b>Dansk</b>	Venligst klip denne del ud og send frankeret til Black & Decker i dit land.
		<b>Suomi</b>	Leikkaa irti tämä osa, laita se kuoreen ja postita kuori paikalliseen Black & Decker osoitteeseen.
		<b>Ελληνικά</b>	Ταπακάλω κόψτε αυτό το κομμάτι και ταχυδρομηστε το αμέσως μετά την αγορά του προϊόντος σας στην διεύθυνση της Black & Decker στην Ελλάδα.