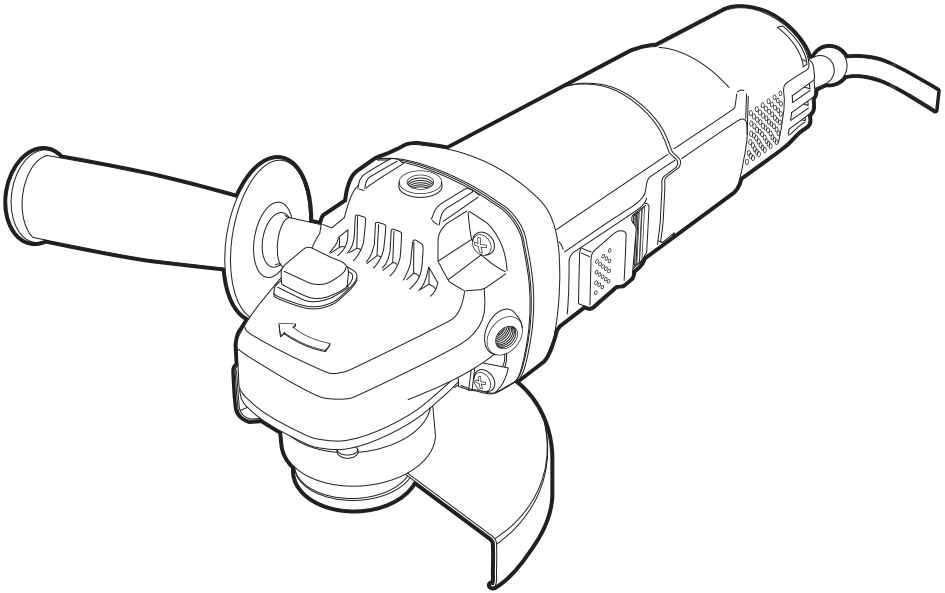
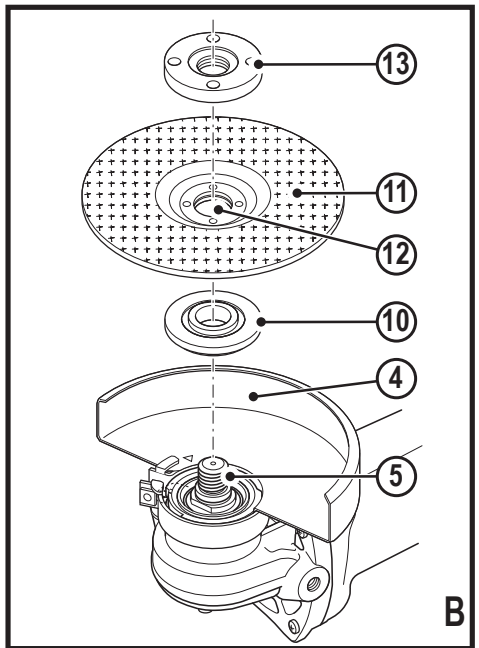
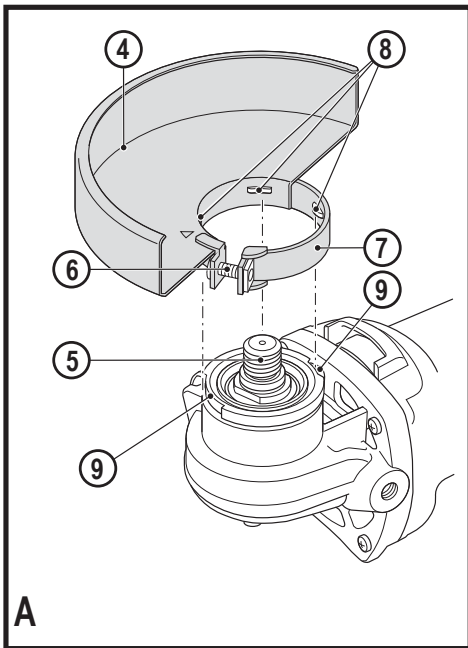
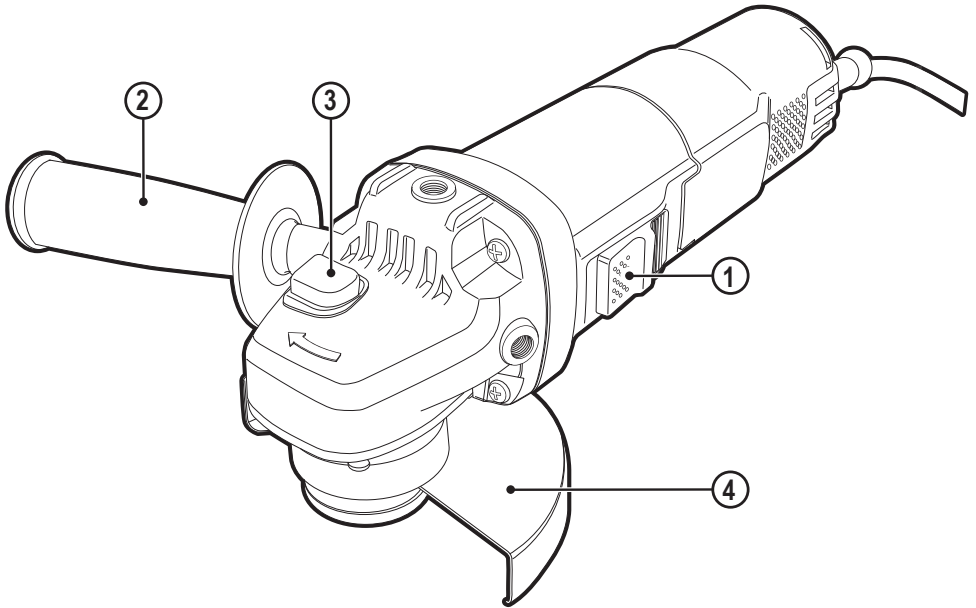


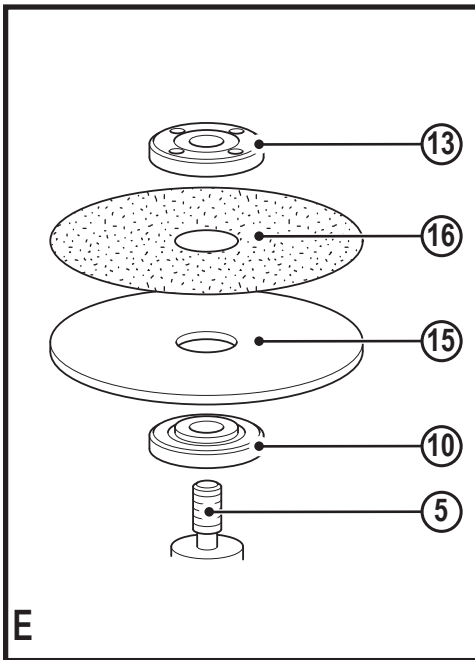
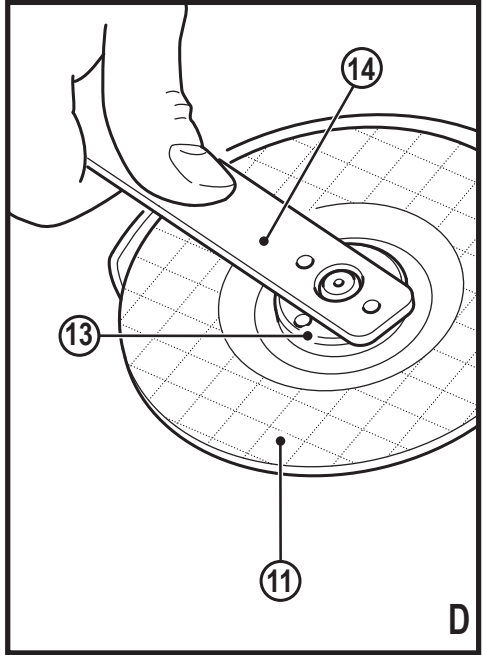
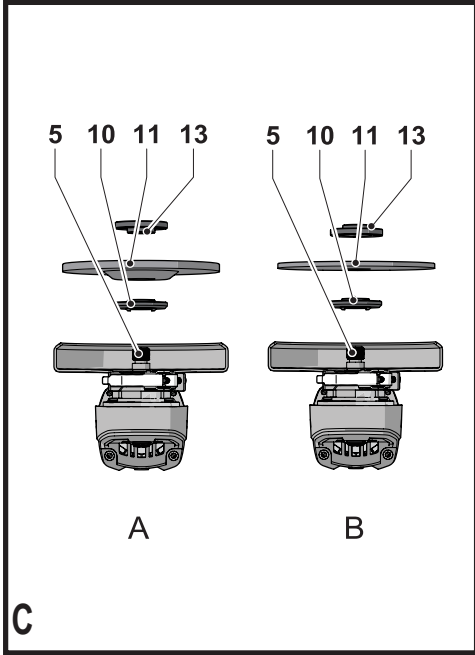
**BLACK+**  
**DECKER**

TM



**KG711**  
**KG911**  
**KG912**  
**KG752**





## Intended use

Your BLACK+DECKER™ KG711, KG911, KG912, KG752 Angle Grinder has been designed for grinding and cutting metal and masonry using the appropriate type of cutting or grinding disc. When fitted with the appropriate guard, this tool is intended for consumer use only.

## Safety instructions

### General power tool safety warnings



**Warning! Read all safety warnings and all instructions.** Failure to follow the warnings and instructions listed below may result in electric shock, fire and/or serious injury.

### Save all warnings and instructions for future reference.

The term “power tool” in all of the warnings listed below refers to your mains operated (corded) power tool or battery operated (cordless) power tool.

#### 1. Work area safety

- a. **Keep work area clean and well lit.** Cluttered or dark areas invite accidents.
- b. **Do not operate power tools in explosive atmospheres, such as in the presence of flammable liquids, gases or dust.** Power tools create sparks which may ignite the dust or fumes.
- c. **Keep children and bystanders away while operating a power tool.** Distractions can cause you to lose control.

#### 2. Electrical safety

- a. **Power tool plugs must match the outlet. Never modify the plug in any way. Do not use any adapter plugs with earthed (grounded) power tools.** Unmodified plugs and matching outlets will reduce risk of electric shock.
- b. **Avoid body contact with earthed or grounded surfaces such as pipes, radiators, ranges and refrigerators.** There is an increased risk of electric shock if your body is earthed or

grounded.

- c. **Do not expose power tools to rain or wet conditions.** Water entering a power tool will increase the risk of electric shock.
  - d. **Do not abuse the cord. Never use the cord for carrying, pulling or unplugging the power tool. Keep cord away from heat, oil, sharp edges or moving parts.** Damaged or entangled cords increase the risk of electric shock.
  - e. **When operating a power tool outdoors, use an extension cord suitable for outdoor use.** Use of a cord suitable for outdoor use reduces the risk of electric shock.
  - f. **If operating a power tool in a damp location is unavoidable, use a residual current device (RCD) protected supply.** Use of an RCD reduces the risk of electric shock.
- ### 3. Personal safety
- a. **Stay alert, watch what you are doing and use common sense when operating a power tool. Do not use a power tool while you are tired or under the influence of drugs, alcohol or medication.** A moment of inattention while operating power tools may result in serious personal injury.
  - b. **Use personal protective equipment. Always wear eye protection.** Protective equipment such as dust mask, non-skid safety shoes, hard hat, or hearing protection used for appropriate conditions will reduce personal injuries.
  - c. **Prevent unintentional starting. Ensure the switch is in the off-position before connecting to power source and/or battery pack, picking up or carrying the tool.** Carrying power tools with your finger on the switch or energising power tools that have the switch on invites accidents.
  - d. **Remove any adjusting key or wrench before turning the power tool on.** A wrench or a key left attached to a rotating part of the power tool may result in personal injury.

- e. **Do not overreach. Keep proper footing and balance at all times.** This enables better control of the power tool in unexpected situations.
- f. **Dress properly. Do not wear loose clothing or jewellery. Keep your hair, clothing and gloves away from moving parts.** Loose clothes, jewellery or long hair can be caught in moving parts.
- g. **If devices are provided for the connection of dust extraction and collection facilities, ensure these are connected and properly used.** Use of dust collection can reduce dust-related hazards.

#### 4. Power tool use and care

- a. **Do not force the power tool. Use the correct power tool for your application.** The correct power tool will do the job better and safer at the rate for which it was designed.
- b. **Do not use the power tool if the switch does not turn it on and off.** Any power tool that cannot be controlled with the switch is dangerous and must be repaired.
- c. **Disconnect the plug from the power source and/or the battery pack from the power tool before making any adjustments, changing accessories, or storing power tools.** Such preventive safety measures reduce the risk of starting the power tool accidentally.
- d. **Store idle power tools out of the reach of children and do not allow persons unfamiliar with the power tool or these instructions to operate the power tool.** Power tools are dangerous in the hands of untrained users.
- e. **Maintain power tools. Check for misalignment or binding of moving parts, breakage of parts and any other condition that may affect the power tools operation. If damaged, have the power tool repaired before use.** Many accidents are caused by poorly maintained power tools.
- f. **Keep cutting tools sharp and clean.** Properly maintained cutting tools with

sharp cutting edges are less likely to bind and are easier to control.

- g. **Use the power tool, accessories and tool bits etc., in accordance with these instructions, taking into account the working conditions and the work to be performed.** Use of the power tool for operations different from those intended could result in a hazardous situation.

#### 5. Service

- a. **Have your power tool serviced by a qualified repair person using only identical replacement parts.** This will ensure that the safety of the power tool is maintained.

#### Additional power tool safety warnings



**Warning!** Additional safety warnings for grinding, sanding, wire brushing, polishing or abrasive cutting-off operations

- **This power tool is intended to function as a grinder, sander, polisher or cut-off tool. Read all safety warnings, instructions, illustrations and specifications provided with this power tool.** Failure to follow all instructions listed below may result in electric shock, fire and/or serious injury.
- **Operations for which the power tool was not designed may create a hazard and cause personal injury.**
- **Do not use accessories which are not specifically designed and recommended by the tool manufacturer.** Just because the accessory can be attached to your power tool, it does not assure safe operation.
- **The rated speed of the accessory must be at least equal to the maximum speed marked on the power tool.** Accessories running faster than their rated speed can break and fly apart.
- **The outside diameter and the thickness of your accessory must be within the capacity rating of your power tool.** Incorrectly sized accessories cannot be adequately guarded or controlled.

- **The arbour size of wheels, flanges, backing pads or any other accessory must properly fit the spindle of the power tool.** Accessories with arbour holes that do not match the mounting hardware of the power tool will run out of balance, vibrate excessively and may cause loss of control.
- **Do not use a damaged accessory. Before each use inspect the accessory such as abrasive wheels for chips and cracks, backing pad for cracks, tear or excess wear, wire brush for loose or cracked wires. If power tool or accessory is dropped, inspect for damage or install an undamaged accessory. After inspecting and installing an accessory and run the power tool at maximum no-load speed for one minute.** Damaged accessories will normally break apart during this test time.
- **Wear personal protective equipment. Depending on application, use face shield, safety goggles or safety glasses. As appropriate, wear dust mask, hearing protectors, gloves and workshop apron capable of stopping small abrasive or workpiece fragments.** The eye protection must be capable of stopping flying debris generated by various operations. The dust mask or respirator must be capable of filtering particles generated by your operation. Prolonged exposure to high intensity noise may cause hearing loss.
- **Keep bystanders a safe distance away from work area. Anyone entering the work area must wear personal protective equipment.** Fragments of workpiece or of a broken accessory may fly away and cause injury beyond immediate area of operation.
- **Hold power tool by insulated gripping surfaces only, when performing an operation where the cutting accessory may contact hidden wiring or its own cord.** Cutting accessory contacting a "live" wire may make exposed metal parts of the power tool "live" and shock the operator.
- **Position the cord clear of the spinning accessory.** If you lose control, the cord may be cut or snagged and your hand or arm may be pulled into the spinning

accessory.

- **Never lay the power tool down until the accessory has come to a complete stop.** The spinning accessory may grab the surface and pull the power tool out of your control.
- **Do not run the power tool while carrying it at your side.** Accidental contact with the spinning accessory could snag your clothing, pulling the accessory into your body.
- **Regularly clean the power tool's air vents.** The motor's fan will draw the dust inside the housing and excessive accumulation of powdered metal may cause electrical hazards.
- **Do not operate the power tool near flammable materials.** Sparks could ignite these materials.
- **Do not use accessories that require liquid coolants.** Using water or other liquid coolants may result in electrocution or shock.

**Note:** The above warning does not apply for power tools specifically designed for use with a liquid system.

## Kickback and related warnings

Kickback is a sudden reaction to a pinched or snagged rotating wheel, backing pad, brush or any other accessory. Pinching or snagging causes rapid stalling of the rotating accessory which in turn causes the uncontrolled power tool to be forced in the direction opposite of the accessory's rotation at the point of the binding.

For example, if an abrasive wheel is snagged or pinched by the workpiece, the edge of the wheel that is entering into the pinch point can dig into the surface of the material causing the wheel to climb out or kick out. The wheel may either jump toward or away from the operator, depending on direction of the wheel's movement at the point of pinching. Abrasive wheels may also break under these conditions.

Kickback is the result of power tool misuse and/or incorrect operating procedures or conditions and can be avoided by taking proper precautions as given below.

- **Maintain a firm grip on the power tool and position your body and arm to allow you to resist kickback forces. Always use auxiliary handle, if provided, for maximum control over kickback or torque reaction during start-up.** The operator can control torque reactions or kickback forces, if proper precautions are taken.
- **Never place your hand near the rotating accessory.** Accessory may kickback over your hand.
- **Do not position your body in the area where power tool will move if kickback occurs.** Kickback will propel the tool in direction opposite to the wheel's movement at the point of snagging.
- **Use special care when working corners, sharp edges etc. Avoid bouncing and snagging the accessory.** Corners, sharp edges or bouncing have a tendency to snag the rotating accessory and cause loss of control or kickback.
- **Do not attach a saw chain woodcarving blade or toothed saw blade.** Such blades create frequent kickback and loss of control.

### **Safety warnings specific for grinding and abrasive cutting-off operations**

- **Use only wheel types that are recommended for your power tool and the specific guard designed for the selected wheel.** Wheels for which the power tool was not designed cannot be adequately guarded and are unsafe.
- **The grinding surface of centre depressed wheels must be mounted below the plane of the guard lip.** An improperly mounted wheel that projects through the plane of the guard lip cannot be adequately protected.
- **The guard must be securely attached to the power tool and positioned for maximum safety, so the least amount of wheel is exposed towards the operator.** The guard helps to protect operator from broken wheel fragments and accidental contact with wheel.
- **Wheels must be used only for recommended applications. For example: do not grind with the side of cut-off wheel.** Abrasive cut-off wheels are intended for peripheral grinding, side forces applied to these wheels may cause them to shatter.
- **Always use undamaged wheel flanges that are of correct size and shape for your selected wheel.** Proper wheel flanges support the wheel thus reducing the possibility of wheel breakage. Flanges for cut-off wheels may be different from grinding wheel flanges.
- **Do not use worn down wheels from larger power tools.** Wheel intended for larger power tool is not suitable for the higher speed of a smaller tool and may burst.

### **Additional safety warnings specific for abrasive cutting-off operations**

- **Do not "jam" the cut-off wheel or apply excessive pressure. Do not attempt to make an excessive depth of cut.** Over stressing the wheel increases the loading and susceptibility to twisting or binding of the wheel in the cut and the possibility of kickback or wheel breakage.
- **Do not position your body in line with and behind the rotating wheel. When the wheel, at the point of operation, is moving away from your body, the possible kickback may propel the spinning wheel and the power tool directly at you.**
- **When wheel is binding or when interrupting a cut for any reason, switch off the power tool and hold the power tool motionless until the wheel comes to a complete stop. Never attempt to remove the cut-off wheel from the cut while the wheel is in motion otherwise kickback may occur.** Investigate and take corrective action to eliminate the cause of wheel binding.
- **Do not restart the cutting operation in the workpiece. Let the wheel reach full speed and carefully re-enter the cut.** The wheel may bind, walk up or kickback if the power tool is restarted in the workpiece

- **Support panels or any oversized workpiece to minimize the risk of wheel pinching and kickback.** Large workpieces tend to sag under their own weight. Supports must be placed under the workpiece near the line of cut and near the edge of the workpiece on both sides of the wheel..
- **Use extra caution when making a "pocket cut" into existing walls or other blind areas.** The protruding wheel may cut gas or water pipes, electrical wiring or objects that can cause kickback.

### Safety warnings specific for sanding operations

- **Do not use excessively oversized sanding disc paper. Follow manufacturers recommendations, when selecting sanding paper.** Larger sanding paper extending beyond the sanding pad presents a laceration hazard and may cause snagging, tearing of the disc or kickback.

### Safety warnings specific for polishing operations

- **Do not allow any loose portion of the polishing bonnet or its attachment strings to spin freely. Tuck away or trim any loose attachment strings.** Loose and spinning attachment strings can entangle your fingers or snag on the workpiece.

### Safety of others

- This appliance is not intended for use by persons (including children) with reduced physical, sensory or mental capabilities, or lack of experience and knowledge, unless they have been given supervision or instruction concerning use of the appliance by a person responsible for their safety.
- Children should be supervised to ensure that they do not play with the appliance.

### Residual risks.

Additional residual risks may arise when

using the tool which may not be included in the enclosed safety warnings. These risks can arise from misuse, prolonged use etc.

Even with the application of the relevant safety regulations and the implementation of safety devices, certain residual risks can not be avoided. These include:

- **Injuries caused by touching any rotating/ moving parts.**
- **Injuries caused when changing any parts, blades or accessories.**
- **Injuries caused by prolonged use of a tool. When using any tool for prolonged periods ensure you take regular breaks.**
- **Impairment of hearing.**
- **Health hazards caused by breathing dust developed when using your tool (example:- working with wood, especially oak, beech and MDF.)**

### Vibration

The declared vibration emission values stated in the technical data and the declaration of conformity have been measured in accordance with a standard test method provided by EN 60745 and may be used for comparing one tool with another. The declared vibration emission value may also be used in a preliminary assessment of exposure.

Warning! The vibration emission value during actual use of the power tool can differ from the declared value depending on the ways in which the tool is used. The vibration level may increase above the level stated.

When assessing vibration exposure to determine safety measures required by 2002/44/EC to protect persons regularly using power tools in employment, an estimation of vibration exposure should consider, the actual conditions of use and the way the tool is used, including taking account of all parts of the operating cycle such as the times when the tool is switched off and when it is running idle in addition to the trigger time.



When assessing vibration exposure to determine safety measures required by 2002/44/EC to protect persons regularly using power tools in employment, an estimation of vibration exposure should consider, the actual conditions of use and the way the tool is used, including taking account of all parts of the operating cycle such as the times when the tool is switched off and when it is running idle in addition to the trigger time.

## Labels on tool

The following pictograms are shown on the tool:



**Warning!** To reduce the risk of injury, the user must read the instruction manual.



Wear safety glasses or goggles when operating this tool.



Wear ear protection when operating this tool.

## Electrical safety



This tool is double insulated; therefore no earth wire is required. Always check that the power supply corresponds to the voltage on the rating plate.

- If the supply cord is damaged, it must be replaced by the manufacturer or an authorised BLACK+DECKER Service Centre in order to avoid a hazard.

## Features

This tool includes some or all of the following features.

1. On/off switch
2. Side handle
3. Spindle lock
4. Guard

## Assembly

**Warning!** Before assembly, make sure that the tool is switched off and unplugged.

## Fitting and removing the guard (fig. A)

The tool is supplied with a guard intended for grinding purposes only. If the unit is intended to perform cutting operations, a guard specific for this operation must be fitted. A suitable guard for cutting operations part numbers 1004702-27 and 1004702-28 for KG711/KG911 and KG912/KG752 is available and can be obtained from BLACK+DECKER service centres.

## Fitting and removing the guard (fig. A) KG912 Only

The tool is supplied with a guard intended for cutting off purposes only. If the unit is intended to perform grinding operations, a guard specific for this operation must be fitted. A suitable guard for grinding operations part number 1004702-36 is available and can be obtained from BLACK+DECKER service centres.

## Fitting

- Place the angle grinder on a table, spindle (5) up.
- Align the lugs (8) with the notches (9).
- Press the guard (4) down and rotate it to the required position.
- Securely tighten the screw (6).
- To remove the guard, slacken the screw

**Warning!** Never use the tool without the guard.

## Fitting the side handle

- Screw the side handle (2) into one of the mounting holes in the tool.

**Warning!** Always use the side handle.

## Fitting and removing grinding or cutting discs (fig. B - D)

Always use the correct type of disc for your application. Always use discs with the correct diameter and bore size (see technical data).

## Fitting

- Fit the guard as described above.
- Place the inner flange (10) onto the spindle (5) as shown (fig. B). Make sure that the flange is correctly located on the flat sides of the spindle.
- Place the disc (11) onto the spindle (5) as shown (fig. B). If the disc has a raised centre (12), make sure that the raised centre faces the inner flange.
- Make sure that the disc locates correctly on the inner flange.
- Place the outer flange (13) onto the spindle. When fitting a grinding disc, the raised centre on the outer flange must face towards the disc (A in fig. C). When fitting a cutting disc, the raised centre on the outer flange must face away from the disc (B in fig. C).
- Keep the spindle lock (3) depressed and tighten the outer flange using the two-pin spanner (14) (fig. D).

## Removing

- Keep the spindle lock (3) depressed and loosen the outer flange (13) using the two-pin spanner (14) (fig. D).
- Remove the outer flange (13) and the disc (11). Fitting and removing sanding discs (fig. D & E) For sanding, a backing pad is required. The backing pad is available from your BLACK+DECKER dealer as an accessory.

## Fitting

- Place the inner flange (10) onto the spindle (5) as shown (fig. E). Make sure that the flange is correctly located on the flat sides of the spindle.
- Place the backing pad (15) onto the spindle.
- Place the sanding disc (16) onto the backing pad.
- Place the outer flange (13) onto the spindle with the raised centre facing away from the disc.
- Keep the spindle lock (3) depressed and tighten the outer flange using the two-pin spanner (14) (fig. D). Make sure

that the outer flange is fitted correctly and that the disc is clamped tightly.

## Removing

- Keep the spindle lock (3) depressed and loosen the outer flange (13) using the two-pin spanner (14) (fig. D).
- Remove the outer flange (13), the sanding disc (16) and the backing pad (15).

## Use

**Warning!** Let the tool work at its own pace. Do not overload.

- Carefully guide the cable in order to avoid accidentally cutting it.
- Be prepared for a stream of sparks when the grinding or cutting disc touches the workpiece.
- Always position the tool in such a way that the guard provides optimum protection from the grinding or cutting disc.

## Switching on and off

- To switch on, slide the on/off switch (1) forward. Note that the tool will continue running when you release the switch.
- To switch off, press the rear part of the on/off switch.

**Warning!** Do not switch the tool off while under load.

## Soft Start Feature

The soft start feature allows a slow speed build-up to avoid an initial jerk when starting. This feature is particularly useful when working in confined spaces.

## No-Volt

The No-volt function stops the grinder restarting without the switch being cycled if there is a break in the power supply.

## Hints for optimum use

- Firmly hold the tool with one hand around the side handle and the other hand around the main handle.
- When grinding, always maintain an angle of approx. 15° between the disc and the workpiece surface.


## Maintenance

Your BLACK+DECKER corded/cordless appliance/tool has been designed to operate over a long period of time with a minimum of maintenance. Continuous satisfactory operation depends upon proper tool care and regular cleaning.


**Warning!** Before performing any maintenance on corded/cordless power tools:

- Switch off and unplug the appliance/tool.
- Or switch off and remove the battery from the appliance/tool if the appliance/tool has a separate battery pack.
- Or run the battery down completely if it is integral and then switch off.
- Unplug the charger before cleaning it. Your charger does not require any maintenance apart from regular cleaning.
- Regularly clean the ventilation slots in your appliance/tool/charger using a soft brush or dry cloth.
- Regularly clean the motor housing using a damp cloth. Do not use any abrasive or solvent-based cleaner.
- Regularly open the chuck and tap it to remove any dust from the interior (when fitted).

## Protecting the environment

 Separate collection. This product must not be disposed of with normal household waste.

Should you find one day that your BLACK+DECKER product needs replacement, or if it is of no further use to you, do not dispose of it with household waste. Make this product available for separate collection.

 Separate collection of used products and packaging allows materials to be recycled and used again. Reuse of recycled materials helps prevent environ-

mental pollution and reduces the demand for raw materials.

Local regulations may provide for separate collection of electrical products from the household, at municipal waste sites or by the retailer when you purchase a new product.

BLACK+DECKER provides a facility for the collection and recycling of BLACK+DECKER products once they have reached the end of their working life. To take advantage of this service please return your product to any authorised repair agent who will collect them on our behalf.

You can check the location of your nearest authorised repair agent by contacting your local BLACK+DECKER office at the address indicated in this manual. Alternatively, a list of authorised BLACK+DECKER repair agents and full details of our after-sales service and contacts are available on the Internet at: [www.2helpU.com](http://www.2helpU.com).

## TECHNICAL DATA

KG711		
Input voltage	V <sub>AC</sub>	220-240
Power input	W	750
Rated speed	min <sup>-1</sup>	12,000
Disc diameter	mm	115
Disc bore	mm	22
Max disc thickness		
grinding discs	mm	6
cutting discs	mm	3.5
Spindle	size	M14
Weight	kg	2

<b>KG911-KG912-KG752</b>		
Input voltage	V <sub>AC</sub>	220-240
Power input	W	KG911 = 900W KG912 = 900W KG752 = 800W
Rated speed	min <sup>-1</sup>	12,000
Disc diameter	mm	KG711, KG911 = 115 KG912, KG752 = 125
Disc bore	mm	22
<b>Max disc thickness</b>		
grinding discs	mm	6
cutting discs	mm	3.5
Spindle	size	M14
Weight	kg	KG711, KG911 = 2.1 KG752 = 2.1 KG912 = 2.2

<b>KG752</b>
L <sub>pA</sub> (sound pressure) 94.5 dB(A), Uncertainty (K) 3 dB(A)
L <sub>WA</sub> (sound power) 105.5 dB(A), Uncertainty (K) 3 dB(A)
Vibration total values (triax vector sum) according to EN60745:
Surface grinding (a <sub>h,SG</sub> ) 9.9 m/s <sup>2</sup> , uncertainty (K) 1.5 m/s <sup>2</sup>
Cutting-off (a <sub>h</sub> ) 9.1 m/s <sup>2</sup> , uncertainty (K) 1.5 m/s <sup>2</sup>
Polishing (a <sub>h,P</sub> ) 5.0 m/s <sup>2</sup> , uncertainty (K) 1.5 m/s <sup>2</sup>
Disc sanding (a <sub>h,DS</sub> ) 3.3 m/s <sup>2</sup> , uncertainty (K) 1.5 m/s <sup>2</sup>

<b>KG711,KG911,KG912</b>
L <sub>pA</sub> (sound pressure) 92.6 dB(A), Uncertainty (K) 3 dB(A)
L <sub>WA</sub> (sound power) 103.6 dB(A), Uncertainty (K) 3 dB(A)
Vibration total values (triax vector sum) according to EN60745:
Surface grinding (a <sub>h,SG</sub> ) 9.9 m/s <sup>2</sup> , uncertainty (K) 1.5 m/s <sup>2</sup>
Cutting-off (a <sub>h</sub> ) 4.6 m/s <sup>2</sup> , uncertainty (K) 1.5 m/s <sup>2</sup>
Polishing (a <sub>h,P</sub> ) 4.5 m/s <sup>2</sup> , uncertainty (K) 1.5 m/s <sup>2</sup>
Disc sanding (a <sub>h,DS</sub> ) 9.6 m/s <sup>2</sup> , uncertainty (K) 1.5 m/s <sup>2</sup>

## EC declaration of conformity

### MACHINERY DIRECTIVE



#### KG711, KG911, KG912, KG752

BLACK+DECKER declares that these products described under "Technical data" are in compliance with: 2006/42/EC, EN60745-1:2009 +A11:2010; EN60745-2-3:2011 +A2:2013 +A11:2014 +A12:2014

These products also comply with Directive 2004/108/EC (until 19.04.2016), 2014/30/EU (from 20.04.2016) and 2011/65/EU.

For more information, please contact BLACK+DECKER at the following address or refer to the back of the manual.

The undersigned is responsible for compilation of the technical file and makes this declaration on behalf of BLACK+DECKER.

#### R. Laverick

Engineering Manager  
BLACK+DECKER Europe, 210 Bath Road,  
Slough,  
Berkshire, SL1 3YD  
United Kingdom  
01.2017

## Guarantee

Black + Decker is confident of the quality of its products and offers an outstanding guarantee. This guarantee statement is in addition to and in no way prejudices your statutory rights.

If a Black + Decker product becomes defective due to faulty materials, workmanship or lack of conformity, within 24 months from the date of purchase, BLACK+DECKER guarantees to replace defective parts, repair products subjected to fair wear and tear or replace such products to make sure of the minimum inconvenience to the customer unless:

- The product has been used for trade, professional or hire purposes.
- The product has been subjected to misuse or neglect.
- The product has sustained damage through foreign objects, substances or accidents.
- Repairs have been attempted by persons other than authorised repair agents or Black + Decker service staff.

To claim on the guarantee, you will need to submit proof of purchase to the seller or an authorised repair agent. You can check the location of your nearest authorised repair agent by contacting your local BLACK+DECKER office at the address indicated in this manual. Alternatively, a list of authorised BLACK+DECKER repair agents and full details of our aftersales service and contacts are available on the Internet at: [www.2helpU.com](http://www.2helpU.com)

## Kullanım amacı

BLACK+DECKER™ KG711, KG911, KG912, KG752 avuç taşlama makineniz uygun tipte kesme ve taşlama diskini kullanarak metal ve taşların taşlanması ve kesilmesi için tasarlanmıştır. Bu alet sadece hafif hizmet ve hobi kullanımı içindir.

## Güvenlik talimatları

### Genel elektrikli alet güvenlik uyarıları



**Uyarı!** Bütün güvenlik uyarılarını ve talimatlarını mutlaka okuyun. Aşağıda yer alan uyarılar ve talimatların herhangi birisine uyulmaması elektrik çarpması, yangın ve/veya ciddi yaralanma riskine neden olabilir.

**Bütün uyarı ve güvenlik talimatlarını ileride bakmak üzere saklayın.** Aşağıda yer alan uyarılardaki «elektrikli alet» terimi şebeke elektriğiyle (kablolu) veya akü/pille (şarjlı) çalışan elektrikli aletinizi ifade etmektedir.

### 1. Çalışma alanının güvenliği

- Çalışma alanını temiz ve aydınlık tutun.** Karışık veya karanlık alanlar kazaya davetiye çıkarır.
- Elektrikli aletleri, yanıcı sıvılar, gazlar ve tozların bulunduğu yerler gibi yanıcı ortamlarda çalıştırmayın.** Elektrikli aletler, toz veya dumanları ateşleyebilecek kıvılcımlar çıkarır.
- Bir elektrikli aleti çalıştırırken çocuklardan ve etraftaki kişilerden uzak tutun.** Dikkatinizi dağıtıcı şeyler kontrolü kaybetmenize neden olabilir.

### 2. Elektrik güvenliği

- Elektrikli aletlerin fişleri prizlere uygun olmalıdır. Fiş üzerinde kesinlikle hiçbir değişiklik yapmayın. Topraklı elektrikli aletlerde hiçbir adaptör fişi kullanmayın.** Değiştirilmemiş fişler ve uygun prizler elektrik çarpması riskini azaltacaktır.
- Borular, radyatörler, ocaklar ve buzdolapları gibi topraklanmamış yüzeylerle vücut temasından kaçının.** Vücudunuzun topraklanması halinde yüksek bir elektrik çarpması riski vardır.
- Elektrikli aletleri yağmura maruz bırakmayın veya ıslatmayın.** Elektrikli

alete su girmesi elektrik çarpması riskini arttıracaktır.

- Elektrik kablosunu uygun olmayan amaçlarla kullanmayın. Elektrikli aleti kesinlikle kablosundan tutarak taşımayın, çekmeyin veya prizden çıkartmayın. Kabloyu sıcağın, yağdan, keskin kenarlardan veya hareketli parçalardan uzak tutun.** Hasarlı veya dolaşmış kablolar elektrik çarpması riskini artırır.
- Elektrikli bir aleti açık havada çalıştırıyorsanız, açık havada kullanıma uygun bir uzatma kablosu kullanın.** Açık havada kullanıma uygun bir kablolu kullanılması elektrik çarpması riskini azaltır.
- Eğer bir elektrikli aletin nemli bir bölgede çalıştırılması zorunluysa, bir anlık akım aygıtı (RCD) korumalı bir kaynak kullanın.** Bir RCD kullanılması elektrik şoku riskini azaltır.

### 3. Kişisel güvenlik

- Elektrikli bir aleti kullanırken her zaman dikkatli olun, yaptığınız işe yoğunlaşın ve sağduyulu davranın. Elektrikli bir aleti yorgunken veya ilaç ya da alkolün etkisi altındayken kullanmayın.** Elektrikli aletleri kullanırken bir anlık dikkatsizlik ciddi kişisel yaralanmayla sonuçlanabilir.
- Kişisel koruyucu ekipmanları mutlaka kullanın.** Daima koruyucu gözlük takın. Koşullara uygun toz maskesi, kaymayan güvenlik ayakkabıları, baret veya kulaklık gibi koruyucu donanımların kullanılması kişisel yaralanmaları azaltacaktır.
- İstem dışı çalıştırılmasını önleyin. Aleti güç kaynağına ve/veya aküye bağlamadan, yerden kaldırmadan veya taşımadan önce açma/kapama düğmesinin kapalı konumda olduğundan emin olun.** Aleti, parmağınız düğme üzerinde bulunacak şekilde taşımak veya açık konumdaki elektrikli aletleri elektrik şebekesine bağlamak kazaya davetiye çıkarır.
- Elektrikli aleti açmadan önce tüm ayarlama anahtarlarını çıkartın.** Elektrikli aletin hareketli bir parçasına takılı kalmış bir anahtar kişisel yaralanmaya neden olabilir.

- e. Ulaşmakta zorlandığınız yerlerde kullanmayın.** Daima sağlam ve dengeli basın. Bu, beklenmedik durumlarda elektrikli aletin daha iyi kontrol edilmesine olanak tanır.
- f. Uygun şekilde giyinin. Bol elbiseler giymeyin ve takı takmayın. Saçınızı, elbiselerinizi ve eldivenlerinizi hareketli parçalardan uzak tutun.** Bol elbiseler ve takılar veya uzun saç hareketli parçalara takılabilir.
- g. Eğer kullandığınız üründe toz emme ve toplama özellikleri olan ataşmanlar varsa bunların bağlı olduğundan emin olun.** Bu toz toplama ataşmanların kullanılması tozla ilgili tehlikeleri azaltabilir.

#### 4. Elektrikli aletlerin kullanımı ve bakımı

- a. Elektrikli aleti zorlamayın. Uygulamaları için doğru elektrikli aleti kullanın.** Doğru elektrikli alet, belirlendiği kapasite ayarında kullanıldığında daha iyi ve güvenli çalışacaktır.
- b. Düğme açmıyor ve kapatmıyorsa elektrikli aleti kullanmayın.** Düğmeyle kontrol edilemeyen tüm elektrikli aletler tehlikelidir ve tamir edilmesi gerekmektedir.
- c. Herhangi bir ayarlama, aksesuar değişimi veya elektrikli aletlerin saklanması öncesinde fişi güç kaynağından çekin ve/veya aküyü elektrikli aletten ayırın.** Bu tür önleyici güvenlik tedbirleri aletin istem dışı olarak çalıştırılması riskini azaltacaktır.
- d. Elektrikli aleti, çocukların ulaşamayacağı yerlerde saklayın ve elektrikli aleti tanımayan veya bu talimatları bilmeyen kişilerin elektrikli aleti kullanımına izin vermeyin.** Elektrikli aletler, eğitimsiz kullanıcıların elinde tehlikelidir.
- e. Elektrikli aletleri iyi durumda muhafaza edin. Hareketli parçalardaki hizalama hatalarını ve tutuklukları, parçalardaki kırılmalar ve elektrikli aletin çalışmasını etkileyebilecek tüm diğer koşulları kontrol edin.** Hasarlı ise, elektrikli aleti kullanmadan önce tamir ettirin. Kazalarin çoğu, elektrikli aletlerin bakımının yeterli şekilde yapılmamasından kaynaklanır.

- f. Kesim aletlerini keskin ve temiz tutun.** Bakımı uygun şekilde yapılmış keskin kesim uçlu kesim aletlerinin sıkışma ihtimali daha düşüktür ve kontrol edilmesi daha kolaydır.

- g. Elektrikli aleti, aksesuarlarını ve aletin diğer parçalarını kullanırken bu talimatlara mutlaka uyun ve çalışma ortamının koşullarını ve yapılacak işin ne olduğunu göz önünde bulundurun.** Elektrikli aletin öngörülen işlemler dışındaki işlemler için kullanılması tehlikeli durumlara neden olabilir.

#### 5. Servis

- a. Elektrikli aletinizi, sadece orijinal yedek parçaların kullanıldığı yetkili servise tamir ettirin.** Bu, elektrikli aletin güvenliğinin muhafaza edilmesini sağlayacaktır.

#### Elektrikli el aletleri için ek güvenlik talimatları



**Uyarı!** Taşlama, zımparalama, fırçalama, polisaj veya aşındırıcı diskle kesme işleri için ek güvenlik talimatları.

- Bu elektrikli alet bir taşlama, zımparalama, fırçalama, polisaj veya kesme makinesi olarak kullanılmak üzere tasarlanmıştır. Bu elektrikli alet ile verilen tüm güvenlik uyarıları, talimatlar, resimli açıklamalar ve teknik özellikleri okuyun.** Aşağıda belirtilen tüm talimatların herhangi birisine uyulmaması elektrik çarpması, yangın ve/veya ciddi yaralanma riskine neden olabilir.
- Elektrikli aletin tasarlanma amacı dışındaki işlemler tehlike ve kişisel yaralanmalara neden olabilir.**
- Üretici firma tarafından özel olarak tasarlanmamış ve tavsiye edilmemiş aksesuarları kullanmayın.** Aksesuarın elektrikli aletinize takılabilir olması güvenli bir çalışma temin edeceği anlamına gelmemektedir.
- Aksesuarın nominal hızı en az elektrikli alet üzerinde yazan maksimum hıza eşit olmalıdır.** Nominal hızından daha hızlı çalışan aksesuarlar kırılabilir ve etrafa saçılabilir.

- **Aksesuarınızın dış çapı ve kalınlığı elektrikli aletinizin kapasite oranı içinde olmalıdır.** Yanlış ebatlı aksesuarlar yeterli kadar korunamaz ve kontrol edilemez.
- **Disk, flanş, taban ya da diğer aksesuarların mil çapı elektrikli aletin miline tam olarak uymalıdır.** Elektrikli aletin montaj donanımına uymayan mil çapına sahip aksesuarlar dengesiz çalışır, aşırı titreşim yapar ve kontrolü kaybetmeye neden olabilir.
- **Hasar görmüş olan bir aksesuarı kullanmayın. Her kullanımdan önce aksesuarları inceleyin, örneğin disk talaş ve çatlaklara karşı, tabanı çatlak, kopma ya da aşırı kullanıma karşı, tel fırçayı gevşek ya da kırık tellere karşı kontrol edin. Elektrikli alet ya da aksesuar düşürülürse, hasar olup olmadığını kontrol edin ya da sağlam aksesuar takın. Aksesuarın incelenmesi ve monte edilmesinden sonra bir dakika boyunca elektrikli aleti boşa ve maksimum hızda çalıştırın.** Bu test süresince hasarlı aksesuarlar normal olarak kırılarak dağılacaktır.
- **Kişisel koruyucu ekipmanları mutlaka kullanın. Uygulamaya bağlı olarak yüz kalkanı, koruyucu gözlük ya da güvenlik gözlükleri kullanın. Yeri geldiğinde küçük aşındırıcı maddeleri ya da işleme tabi tutulan parçaları durdurabilen toz maskesi, kulaklık, eldiven ve iş önlüğü giyin. Göz koruması, çeşitli işlemler sonucu açığa çıkan uçan parçacıkları durdurabilmelidir.** Toz maskesi ya da gaz maskesi yaptığınız işlem sonucu açığa çıkan parçacıkları filtreleyebilmelidir. Uzun süreli yüksek şiddetli gürültüye maruz kalınması işitme kaybına neden olabilir.
- **Çevrede bulunan şahısları çalışma alanından uzakta güvenli bir mesafede tutun. Çalışma alanına giren şahıslar kişisel koruyucu ekipman giymelidir.** İşleme tabi tutulan parçanın ya da kırık bir aksesuarın parçacıkları fırlatabilir ve çalışma alanının yakın çevresinde yaralanmalara neden olabilir.
- **Kesme aksesuarının gizli kabloları veya kendi kablosuna temas edebileceği yerlerde çalışma yaparken elektrikli aleti yalıtımlı kavrama yüzeylerinden tutun.**

Kesme aksesuarının «akım taşıyan» bir kabloya temas etmesi durumunda elektrikli aletin metal kısımları da «akım taşıyor» hale gelecek ve kullanıcının çarpılmasına neden olabilir.

- **Kabloyu dönen aksesuardan uzak tutun.** Kontrolü kaybederseniz kablo kesilebilir ya da kopabilir ve eliniz ya da kolunuz dönen aksesuar içine çekilebilir.
- **Aksesuar tamamen durmadıkça elektrikli aleti asla yere koymayın.** Dönen aksesuar yüzeyi yakalayabilir ve elektrikli aleti kontrolünüzden çıkarabilir.
- **Elektrikli aleti yanınızda taşırken çalıştırmayın.** Kaza ile temas halinde, dönen aksesuar giysinize takılabilir, aksesuarı vücudunuza doğru çekebilir.
- **Elektrikli aletin hava çıkışlarını düzenli olarak temizleyin.** Motor fanı, tozu muhafaza içine çeker ve aşırı metal toplanması elektriksel tehlike yaratabilir.
- **Elektrikli aleti yanıcı malzemelerin yakınında çalıştırmayın.** Kıvılcım bu malzemeleri tutuşturabilir.
- **Sıvı soğutucu gerektiren aksesuarlar kullanmayın.** Su ya da diğer sıvı soğutucuların kullanılması elektrik çarpması ya da şok ile sonuçlanabilir.

Not: Yukarıdaki uyarı sıvı sistemle çalışmak üzere tasarlanmış elektrikli el aletleri için geçerli değildir.

## Geri tepme ve ilgili uyarılar

Geri tepme, sıkışmış veya takılmış bir disk, taban, fırça veya diğer aksesuarlara verilen ani tepkidir. Sıkışma veya takılma dönen aksesuarın aniden durmasına neden olur, bu daha sonra temas noktasında elektrikli aletin kontrolsüzce, aksesuarın dönme yönünün tersine doğru zorlanmasına yol açar.

Örneğin, bir aşındırıcı disk, işleme tabi tutulan parçaya takılır ya da sıkışır; sıkışma noktasına giren disk kenarı malzemenin yüzeyine saplanarak, diskin geri tepmesine ya da fırlamasına neden olabilir. Disk, sıkışma noktasındaki hareket yönüne bağlı olarak ya kullanıcıya doğru ya da kullanıcıdan uzağa fırlatabilir. Aşındırıcı diskler bu koşullar altında kırılabilir.



Geri tepme, elektrik aletin yanlış kullanılmasından ve/veya yanlış çalıştırma işlemleri veya koşullarından kaynaklanır ve aşağıda da belirtilen uygun tedbirler alınarak önlenebilir:

- **Elektrikli aleti sıkıca tutun, vücudunuzu ve kolunuzu geri tepme gücüne karşı koyacak şekilde konumlandırın. Geri tepmeye ya da çalıştırma sırasındaki döndürme momenti tepkisine karşı maksimum kontrol sağlamak için eğer varsa yan tutma kolunu kullanın.** Doğru önlemler alınırsa döndürme momenti tepkileri ya da geri tepmeler kullanıcı tarafından kontrol edilebilir.
- **Döner aksesuar civarına asla elinizi sokmayın.** Aksesuar elinizde geri tepme etkisi yapabilir.
- **Geri tepmenin meydana gelmesi durumunda vücudunuzu elektrikli aletin hareket edeceği alanda bulundurmayın.** Geri tepme hareketi aleti takılma noktasında disk hareketine ters yönde itecektir.
- **Köşe, keskin kenarlar vb. yerlerle çalışırken özellikle dikkatli olun. Aksesuarın sekmesinden ve takılmasından kaçının.** Köşeler, keskin kenarlar ya da sektirme hareketi döner aksesuarı engelleme eğilimindedir ve kontrolün kaybedilmesine ya da geri tepmeye neden olabilir
- **Zincirli testere zinciri, ahşap oyma bıçağı ya da dişli daire/gönye testere bıçağı takmayın.** Bu tür bıçaklar sık sık geri tepme ve kontrol kaybı oluşturur.

### **Taşlama ve aşındırıcı kesme uygulamaları için özel güvenlik uyarıları**

- **Sadece elektrikli aletiniz için tavsiye edilen disk türlerini ve seçilen disk için tasarlanmış özel muhafazayı kullanın.** Elektrikli aletin birlikte kullanılmak için tasarlanmadığı diskler yeterli kadar korunamazlar ve güvenli değildir.
- **Basık merkezli disklerin taşlama yüzeyi muhafaza çıkıntısı düzeyinden aşağıda monte edilmelidir.** Muhafaza çıkıntısı düzeyinden dışarı doğru çıkan yanlış monte edilmiş diskler gerektiği gibi korunamazlar.

- **Muhafazanın elektrikli alete güvenli bir şekilde bağlanması ve maksimum güvenlik için konumlandırılması gerekir, böylece diskin çok az bir kısmı kullanıcıya açık olacaktır.**
- **Muhafaza, kullanıcının kırılan disk parçacıklarından ve disk ile istenmeyen temaslardan korunmasına yardımcı olur.**
- **Diskler sadece önerilen uygulamalar için kullanılmalıdır. Örneğin: kesme diskinin kenarı ile taşlama yapmayın.** Aşındırıcı kesici diskler çevresel aşındırma için tasarlanmıştır, bu disklere uygulanan yan kuvvetler diskleri parçalayabilir.
- **Her zaman seçilen disk için doğru ebat ve şekilde, hasarsız flanşları kullanın. Uygun flanşlar, diski destekler ve disk kırılması olasılığını azaltır.** Kesme diski flanşları taşlama diski flanşlarından farklı olabilir.
- **Daha büyük çaplı taşlamaların yıpranmış disklerini kullanmayın.** Daha büyük elektrikli aletler için tasarlanmış disk daha küçük bir aletin yüksek hızları için uygun değildir ve parçalanabilir.

### **Aşındırıcı kesme uygulamalarına özel ilave güvenlik uyarıları**

- **Kesme diskini sıkıştırmayın veya aşırı basınç uygulamayın. Çok derin kesmeye çalışmayın.** Diske aşırı yük uygulamak yüklemeyi, diskin kesim sırasında bükülme veya engellenme hassasiyetini ve geri tepme veya disk kırılması olasılığını artırır.
- **Vücudunuzu döner diskle aynı hizaya veya döner diskin arkasına konumlandırmayın.** Disk işlem sırasında sizden uzaklaşıyorsa, olası geri tepme, dönen diski ve elektrikli aleti doğrudan size doğru itebilir.
- **Disk herhangi bir nedenle kesimi engelliyor veya yarıda kesiyorsa, elektrikli aleti düğmesinden kapatın ve disk tamamen durana kadar elektrikli aleti hareket ettirmeden tutun. Disk hareket halindeyken, kesme diskinin kesimden uzaklaştırmayı asla denemeyin, aksi takdirde geri tepme meydana gelebilir.** Diskin engellenme nedenlerini ortadan kaldırmak için inceleme yapın ve düzeltici önlemler alın.

- **İşleme tabi tutulan parça üzerinde kesme işlemine tekrar başlamayın. Diskin son hıza ulaşmasını sağlayın ve kesim yerine dikkatle tekrar girin.** Elektrikli alet işleme tabi tutulan parça içinde yeniden çalıştırılırsa disk engellenebilir, ilerleyebilir veya geri tepebilir
- **Disk sıkışması ve geri tepmesi riskini en aza indirmek için, panelleri veya işleme tabi tutulan herhangi bir büyük boy işi destekleyin.** İşleme tabi tutulan büyük parçalar kendi ağırlıkları altında bükülme eğilimindedir. Destekler, kesme çizgisi yakınındaki işleme tabi tutulan parçanın altına ve diskin her iki yanında işleme tabi tutulan parçanın yakınına yerleştirilmelidir.
- **Var olan duvarların veya diğer kör alanların içine bir «cep kesim» yaparken aşırı özen gösterin.** Kesilen malzemeden çıkan disk, gaz veya su borularını, elektrik tesisatını veya geri tepmeye neden olabilecek nesnelere kesebilir.

### Zımparalama uygulamalarına özel ilave güvenlik uyarıları

- **Çok büyük zımpara diski kullanmayın. Zımpara diski seçerken üreticinin tavsiyelerine uyun.** Zımpara tabanından taşan zımpara diski paralanma tehlikesi yaratır ve takılmaya, diskin yırtılmasına ya da geri tepmeye yol açabilir.

### Polisaj uygulamalarına özel ilave güvenlik uyarıları

- **Polisaj bonesinin sarkan kısımlarının ya da bağlantı iplerinin serbestçe dönmesine izin vermeyin. Sarkan bağlantı iplerini bonenin içine sokun ya da kesin.** Sarkan veya dönen bağlantı ipleri parmaklarınıza dolanabilir veya çalışma malzemesine takılabilir.

### Diğer kişilerin güvenliği

- Bu alet fiziksel ve zihinsel kapasitesinin yanı sıra algılama gücü azalmış olan veya yeterince deneyim ve bilgisi bulunmayan kişiler (çocuklar dahil) tarafından kullanılmak üzere üretilmemiştir. Bu tür kişiler aleti ancak güvenliklerinden sorumlu bir kişi tarafından aletin kullanımıyla ilgili talimatların verilmesi veya sürekli kontrol altında tutulması

durumunda kullanılabilir.

- Çocuklar, aletle oynamalarını önlemek amacıyla kontrol altında tutulmalıdır.

### Diğer tehlikeler

Aletin kullanımıyla ilgili ekte sunulan güvenlik uyarılarına dahil olmayan ilave kalıcı riskler ortaya çıkabilir. Bu riskler, hatalı, uzun süreli kullanım vb. dolayısıyla ortaya çıkabilir. Emniyet tedbirlerini düzenleyen yönetmeliğin uygulanmasına ve emniyet sağlayıcı aygıtların kullanılmasına rağmen, başka belirli risklerden kaçınılamaz. Bunlar:

- **Aletin dönen ve hareket eden parçalarına dokunma sonucu ortaya çıkan yaralanmalar.**
- **Herhangi bir parçayı, disk veya aksesuarı değiştirirken ortaya çıkan yaralanmalar.**
- **Aletin uzun süreli kullanılması sonucu ortaya çıkan yaralanmalar. Herhangi bir aleti uzun sürelerle kullanacaksanız düzenli olarak çalışmanıza ara verin.**
- **Duyuma bozukluğu.**
- **Aleti kullanırken ortaya çıkan tozun solunması sonucu ortaya çıkan sağlık sorunları (örnek: ahşapta çalışırken, özellikle meşe, akgürgen ve MDF).**

### Titreşim

Teknik veriler ve uygunluk beyanati içerisinde belirtilen titreşim emisyon değerleri EN60745 tarafından belirlenen standart bir test yöntemine uygun olarak ölçülmektedir ve diğer bir aletle karşılaştırma yaparken kullanılabilir.

Beyan edilen titreşim emisyon değeri aynı zamanda maruz kalmanın önceden değerlendirilmesinde de kullanılabilir.

Uyarı! Elektrikli aletin mevcut kullanımı sırasındaki titreşim emisyon değeri, aletin kullanım yöntemine bağlı olarak, beyan edilen değere göre farklılık sergileyebilir. Titreşim düzeyi belirlenen seviyenin üzerinde artış gösterebilir. İşyerinde düzenli olarak elektrikli alet kullanan çalışanları korumak amacıyla 2002/44/EC tarafından getirilen elektrik güvenliği önlemlerini belirlemek üzere titreşime maruz kalmayı değerlendiren, çalışma döngüsü içerisinde örneğin

aletin kapalı olduğu ve aktif durumda olmasının yanı sıra boşta çalıştığı zamanlar gibi, bütün zaman dilimleri dahil olmak üzere mevcut kullanım durumu ve aletin kullanım şekli göz önünde bulundurulacak değerlendirilmelidir.

## Alet üzerindeki etiketler

Alet üzerinde, aşağıdaki uyarı sembolleri bulunmaktadır:



**Uyarı!** Yaralanma riskini en aza indirmek için kullanıcı kullanım talimatlarını mutlaka okumalıdır.



Bu aleti kullanırken koruyucu gözlük kullanın.



Aletle çalışırken kulaklık takın

## Elektrik güvenliği

Bu alet çift yalıtımlıdır. Bu yüzden hiçbir topraklama kablosuna gerek yoktur. Her zaman şebeke geriliminin aletin üretim etiketinde belirlenmiş değerlere uyup uymadığını kontrol edin.

- Elektrik kablosu hasarlı ise, bir tehlike oluşmasını önlemek için üretici ya da yetkili Black & Decker Servis Merkezi tarafından değiştirilmelidir.

## Özellikler

Bu alet, aşağıdaki özelliklerin bir kısmını veya tümünü içermektedir.

1. Açma/kapama düğmesi
2. Yan kol
3. Mil kilidi
4. Muhafaza

## Montaj

**Uyarı!** Montajdan önce aletin kapalı ve fişinin çekilmiş olduğundan emin olun.

## Muhafazanın takılması ve çıkartılması (Şekil A)

Alet sadece taşlama amaçlı muhafaza ile donatılmıştır. Eğer alet kesme işleri için kullanılacaksa, kesmeye özel muhafaza takılmalıdır. Kesme işlerine uygun muhafaza1004702-27 parça numarası ve 1004702-28 parça numarası (KG711/KG911

ve KG912/KG752 için) ile mevcut olup, BLACK+DECKER servisinden temin edilebilir.

## Muhafazanın takılması ve çıkartılması (Şekil A) Sadece KG912

Alet sadece kesme amaçlı muhafaza ile donatılmıştır. Eğer alet taşlama işleri için kullanılacaksa, taşlamaya özel muhafaza takılmalıdır. Taşlama işlerine uygun muhafaza1004702-36 parça numarası ile mevcut olup ve BLACK+DECKER servisinden temin edilebilir.

### Takılması

- Taşlama makinesini, mili (5) yukarı bakacak şekilde bir masaya yatırın.
- Çıkıntıları (8) oyuklarla (9) hizalayın.
- Muhafazayı (4) aşağı doğru bastırın ve gerekli konuma döndürün.
- Muhafazayı çıkartmak için vidayı gevşetin.

**Uyarı!** Aleti, kesinlikle muhafazası olmadan kullanmayın.

## Yan kolun takılması

Yan kolu (2) alettaki montaj deliklerinden birine takın.

**Uyarı!** Daima yan kolu kullanın.

## Taşlama veya kesme disklerinin takılması ve çıkartılması (Şekil B - D)

Daima uygulamanız için doğru tipte disk kullanın. Daima doğru çap ve mil bağlantı ölçüsüne sahip diskleri kullanın (Teknik özelliklerine bakın).

### Takılması

- Muhafazayı, yukarıda belirtildiği gibi takın.
- flanş (10) gösterildiği gibi milin (5) üzerine yerleştirin (Şekil B). Flanşın, milin düz tarafının üzerine doğru bir şekilde yerleştirildiğinden emin olun.
- Disk (11) gösterildiği gibi milin (5) üzerine yerleştirin (Şekil B). Disk çıkıntılı bir göbeğe sahipse (12), çıkıntılı göbeğin iç flanşa baktığından emin olun.
- Diskin iç flanşın üzerine doğru yerleştirildiğinden emin olun.

- Dış flanşı (13) milin üzerine yerleştirin. Taşlama diskini takarken dış flanştaki yüksek merkez diske bakmalıdır (Şekilde C, A kısmı). Kesme diskini takarken dış flanştaki yüksek merkez diskin aksi yöne bakmalıdır (Şekilde C, B kısmı).
- Mil kilidini (3) basılı tutun ve dış flanşı çift pimli anahtarı (14) kullanarak sabitletin (Şekil D).
- Kaza ile kablonun kesilmesini önlemek için çalışırken kabloya dikkat edin.
- Taşlama veya kesme diski, üzerinde çalışılan parçaya temas ettiğinde bir kıvılcım akımına hazırlıklı olun.
- Aleti daima, muhafazanın, taşlama veya kesme diskinden en uygun korunmayı sağlamasına olanak tanıyacak şekilde tutun.

## Çıkartılması

- Mil kilidini (3) basılı tutun ve dış flanşı (13) çift pimli anahtarı (14) kullanarak gevşetin (Şekil D).
- Dış flanşı (13) ve diski (11) çıkartın. Zımparalama disklerinin takılması ve çıkartılması (Şekil D ve E). Zımparalama için taban gerekmektedir. Tabanı BLACK+DECKER yetkili servisinden temin edebilirsiniz.

## Takılması

- flanşı (10) gösterildiği gibi milin (5) üzerine yerleştirin (Şekil E). Flanşın, milin düz tarafının üzerine doğru bir şekilde yerleştirildiğinden emin olun.
- Tabanı (15) milin üzerine yerleştirin.
- Zımparalama diski (16) taban üzerine yerleştirin.
- Dış flanşı (13), yüksek merkez diskten ters tarafa bakacak şekilde milin üzerine yerleştirin.
- Mil kilidini (3) basılı tutun ve dış flanşı çift pimli anahtarı (14) kullanarak sabitletin (Şekil D). Dış flanşın doğru takıldığından ve diskin sıkıca bağlandığından emin olun.

## Çıkartılması

- Mil kilidini (3) basılı tutun ve dış flanşı (13) çift pimli anahtarı (14) kullanarak gevşetin (Şekil D).
- Dış flanşı (13), zımparalama diski (16) ve tabanı (15) çıkartın.

## Kullanım

**Uyarı!** Aletin kendi hızında çalışmasına izin verin. Aşırı yüklenmeyin.

## Açılması ve kapatılması

- Aleti çalıştırmak için, açma/kapama düğmesini (1) ileriye kaydırın. Düğmeyi bıraktığınızda aletin çalışmaya devam etmesine dikkat edin.
- Aleti kapatmak için açma/kapama düğmesinin arka tarafına basın.

**Uyarı!** Aleti yük altındayken kapatmayın.

## Yumuşak ilk hareket özelliği

Yumuşak ilk hareket özelliği, başlarken başlangıç sarsıntısını önlemek için yavaşça hızlanmayı sağlar. Bu özellik, kısıtlı alanlarda çalışırken kullanışlıdır.

## Akım korumalı tetik

Akım korumalı tetik, güç kaynağında bir arıza olduğunda, açma/kapama düğmesi devreye sokulmadan taşlama makinesinin yanlışlıkla çalıştırılmasını önler.

## En uygun kullanım için yararlı tavsiyeler

- Aleti tek elinizle yan kolun etrafından diğer elinizle ise ana koldan sıkı bir şekilde tutun.
- Taşlama yaparken, daima disk ile üzerinde çalıştığınız parçanın yüzeyi arasında yaklaşık 15°'lik bir açı bırakın.

## Bakım

BLACK+DECKER elektrikli/şarjlı aletiniz minimum bakımla uzun bir süre çalışacak şekilde tasarlanmıştır. Kesintisiz olarak memnuniyet verici bir şekilde çalışması gerekli özenin gösterilmesine ve düzenli temizliğe bağlıdır.

**Uyarı!** Elektrikli/şarjlı alet üzerinde herhangi bir bakım işlemi gerçekleştirilmeden önce:

Aleti kapatın ve fişten çekin.

- Ya da aletin çıkartılabilir aküsü varsa; aleti kapatın ve aküyü aletten çıkartın.
- Veya aletin dahili aküsü varsa, bitene kadar çalıştırın ve sonra kapatın.
- Şarj cihazını temizlemeden önce fişten çekin. Şarj cihazınız, düzenli temizlik dışında herhangi bir bakım gerektirmemektedir.
- Aletinizdeki ve şarj cihazındaki havalandırma deliklerini yumuşak bir fırça veya kuru bir bezle düzenli olarak temizleyin.
- Motor muhafazasını düzenli olarak nemli bir bezle silin. Aşındırıcı veya çözücü bazlı temizleyiciler kullanmayın.
- Mandreni düzenli olarak tamamen açın ve içindeki tozu dökmek için hafifçe vurun (mandren alete takılıysa).

## Çevrenin korunması



Ayrı olarak atın. Bu ürün, normal evsel atıklarla birlikte atılmamalıdır.

BLACK+DECKER ürününüzün değiştirilmesi gerektiğini düşünmeniz veya artık kullanılamaz durumda olması halinde onu, evsel atıklarla birlikte atmayın. Bu ürünü, ayrı olarak toplanacak şekilde atın.



Kullanılmış ürünlerin ve ambalajların ayrı olarak toplanması bu maddelerin geri dönüşüme sokularak yeniden kullanılmasına olanak tanır. Geri dönüşümlü maddelerin tekrar kullanılması çevre kirliliğinin önlenmesine yardımcı olur ve ham madde ihtiyacını azaltır.

Yerel yönetmelikler, elektrikli ürünlerin evlerden toplanıp belediye atık tesislerine aktarılması veya yeni bir ürün satın alırken perakende satıcı tarafından toplanması yönünde hükümler içerebilir.

BLACK+DECKER, hizmet ömrünün sonuna ulaşan BLACK+DECKER ürünlerinin toplanması ve geri dönüşme sokulması için bir imkan sunmaktadır. Bu hizmetin

avantajlarından faydalanmak için, lütfen, ürününüzü bizim adımıza teslim alacak herhangi bir yetkili servise iade edin.

Bu kılavuzda belirtilen listeden size en yakın BLACK+DECKER yetkili tamir servisinin yerini öğrenebilirsiniz. Ya da, alternatif olarak internet'ten BLACK+DECKER yetkili tamir servislerinin listesini ve satış sonrası hizmetlerimizle ilgili tüm bilgiler ve temas bilgilerine aşağıdaki siteden ulaşabilirsiniz. [www.2helpU.com](http://www.2helpU.com)

## Teknik özellikleri

		KG711
Giriş voltajı	V <sub>AC</sub>	220-240
Giriş gücü	W	750
Nominal hız	dev/dak.	12,000
Disk çapı	mm	115
Disk göbek deliği çapı	mm	22
<b>Maks. disk gövde kalınlığı</b>		
taşlama diski	mm	6
kesme diski	mm	3,5
Mil	boyutu	M14
Ağırlık	kg	2

KG911-KG912-KG752		
Giriş voltajı	$V_{AC}$	220-240
Giriş gücü	W	KG911 = 900W KG912 = 900W KG752 = 800W
Nominal hız	dev/dak	12,000
Disk çapı	mm	KG711, KG911 = 115 KG912, KG752 = 125
Disk göbek deliği çapı	mm	22
<b>Maks. disk gövde kalınlığı</b>		
taşlama diski	mm	6
kesme diski	mm	3.5
Mil	boyutu	M14
Ağırlık	kg	KG711, KG911 = 2.1 KG752 = 2.1 KG912 = 2.2

KG752
$L_{pA}$ (ses basıncı) 94,5 dB(A), Belirsizlik (K) 3 dB(A)
$L_{wA}$ (akustik güç) 105,5 dB(A), Belirsizlik (K) 3 dB(A)
EN 60745'e göre tespit edilen toplam titreşim değerleri (üç yönün vektör toplamı):
Yüzey taşlama (ah,SG) 9,9 m/s <sup>2</sup> , belirsizlik (K) 1,5 m/s <sup>2</sup>
Kesme (ah) 9,1 m/s <sup>2</sup> , belirsizlik (K) 1,5 m/s <sup>2</sup>
Polisaj (ah,P) 5,0 m/s <sup>2</sup> , belirsizlik (K) 1,5 m/s <sup>2</sup>
Zımparalama (ah,DS) 3,3 m/s <sup>2</sup> , belirsizlik (K) 1,5 m/s <sup>2</sup>

KG711,KG911,KG912
$L_{pA}$ (ses basıncı) 92,6 dB(A), Belirsizlik (K) 3 dB(A)
$L_{wA}$ (akustik güç) 103,6 dB(A), Belirsizlik (K) 3 dB(A)
EN 60745'e göre tespit edilen toplam titreşim değerleri (üç yönün vektör toplamı):
Yüzey taşlama (ah,SG) 9,9 m/s <sup>2</sup> , belirsizlik (K) 1,5 m/s <sup>2</sup>
Kesme (ah) 4,6 m/s <sup>2</sup> , belirsizlik (K) 1,5 m/s <sup>2</sup>
Polisaj (ah,P) 4,5 m/s <sup>2</sup> , belirsizlik (K) 1,5 m/s <sup>2</sup>
Zımparalama (ah,DS) 9,6 m/s <sup>2</sup> , belirsizlik (K) 1,5 m/s <sup>2</sup>

**AT Uygunluk Beyanatı**  
MAKİNE DİREKTİFİ**KG711, KG911, KG912, KG752**

BLACK+DECKER, «Teknik özellikleri» bölümünde açıklanan bu ürünlerin aşağıda belirtilen yönergelere uygun olduğunu beyan eder: 2006/42/EC, EN60745-1:2009 +A11:2010; EN60745-2-3:2011 +A2:2013 +A11:2014 +A12:2014

Bu ürünler ayrıca 2004/108/EC (19.04.2016), 2014/30/EU (20.04.2016) ve 2011/65/EU.Direktiflerine de uygundur.

Daha fazla bilgi için, lütfen aşağıdaki adresten BLACK+DECKER ile irtibata geçin veya kılavuzun arkasına bakın.

Bu belge altında imzası bulunan yetkili, teknik dosyanın derlenmesinden sorumludur ve bu beyanı BLACK+DECKER adına vermiştir.

**R. Laverick**

Mühendislik Bölümü Müdürü  
BLACK+DECKER Europe, 210 Bath Road,  
Slough,  
Berkshire, SL1 3YD  
İngiltere

01.2017

**Garanti**

BLACK+DECKER, ürünün kalitesinden emindir ve bu yüzden kanunlarda belirtilen taleplerin üstünde bir garanti verir. Ayrıca bu garanti hiçbir şekilde garanti ile ilgili kanuni haklarınızı ihlal etmez ve haklarınızı hiç bir şekilde kısıtlamaz.

Eğer bir BLACK+DECKER ürünü, satın alma tarihinden itibaren 24 ay içinde hatalı malzeme, işçilik ya da uygunsuzluk nedeniyle bozulursa, müşteriye mümkün olabilecek en az sorunu yaşatarak BLACK+DECKER hatalı kısımları değiştirmeyi, adil bir şekilde aşınmış ve yıpranmış ürünleri tamir etmeyi veya değiştirmeyi garanti eder. Ancak bu belirtilenler şu durumlar dışında geçerlidir:

- Ürün ticari veya profesyonel amaçlarla kullanılmışsa veya kiraya verilmişse;
- Ürün yanlış veya amaç dışı kullanılmışsa;
- Ürün yabancı nesnelere, maddelere veya kaza sırasında zarar görmüşse;
- Yetkili tamir servisleri veya Black + Decker servis ekibinden başkası tarafından tamir edilmeye çalışılmışsa.

Garanti talebinde bulunmak için, satıcıya veya yetkili tamir servisine satın aldığınızın dair ispat sunmalısınız. Fatura ve garanti kartı gerekmektedir. Bu kılavuzda belirtilen listeden size en yakın BLACK+DECKER yetkili tamir servisinin yerini öğrenebilirsiniz. Ya da, alternatif olarak internet'ten BLACK+DECKER yetkili tamir servislerinin listesini ve satış sonrası hizmetlerimizle ilgili tüm bilgiler ve temas bilgilerine aşağıdaki siteden ulaşabilirsiniz. [www.2helpU.com](http://www.2helpU.com)

