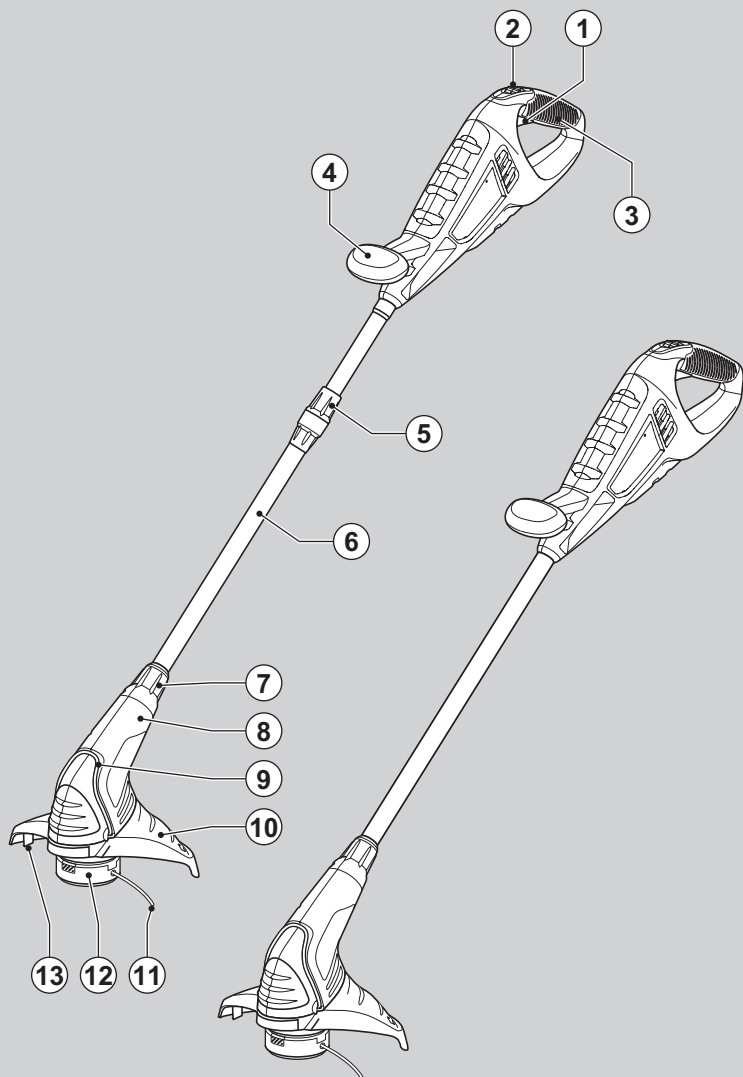
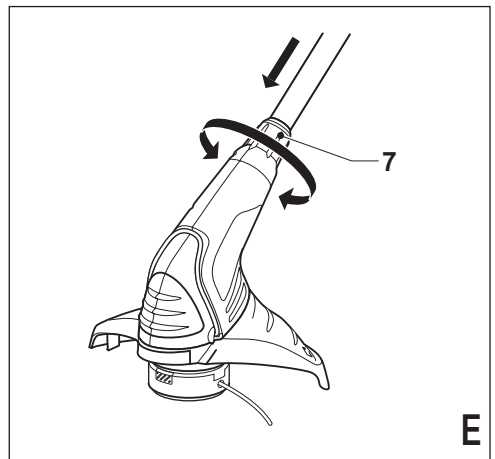
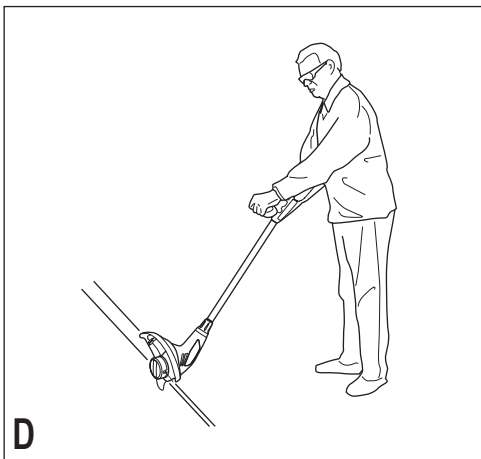
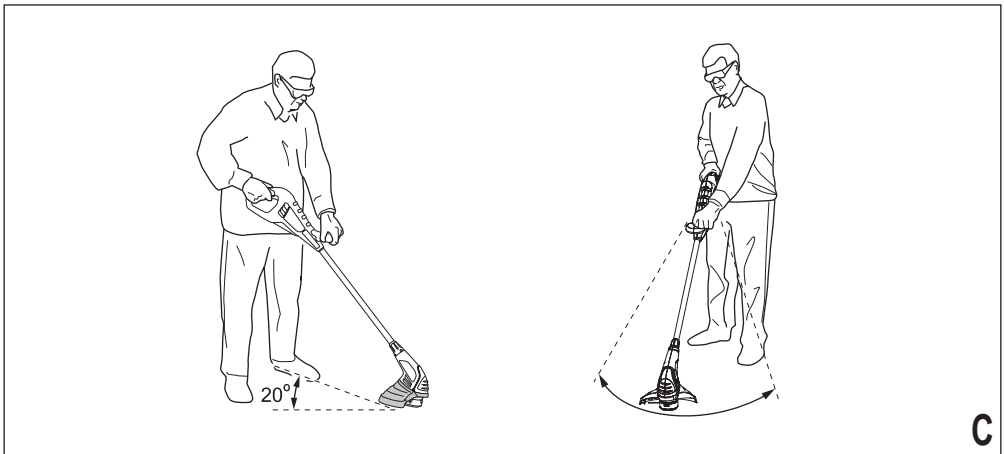
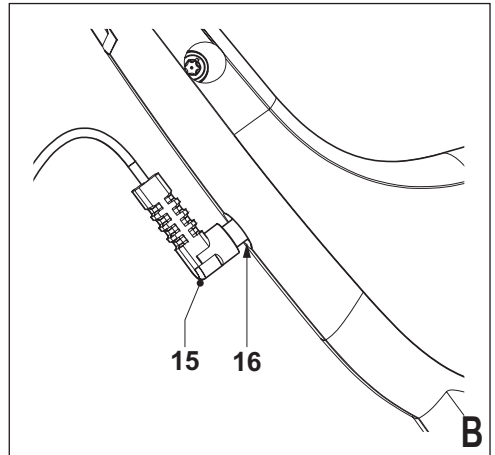
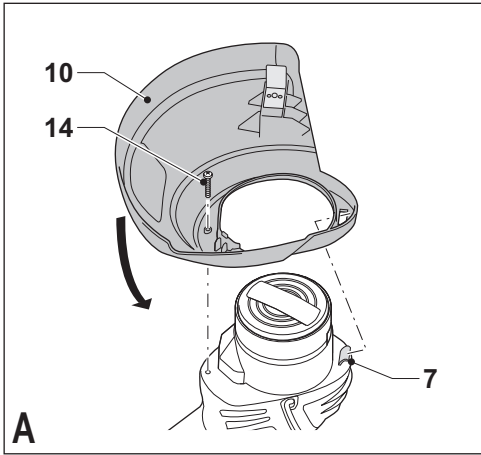
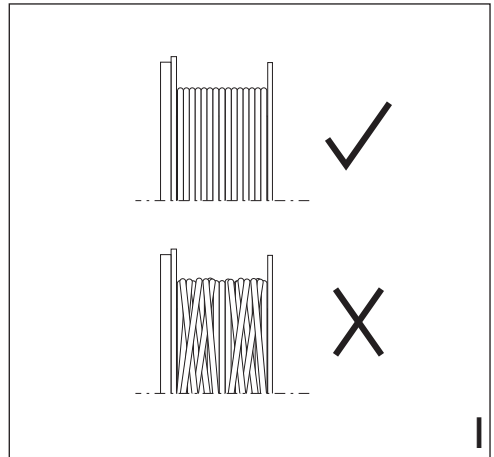
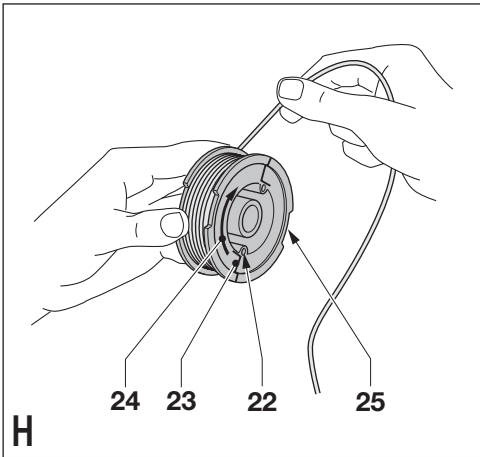
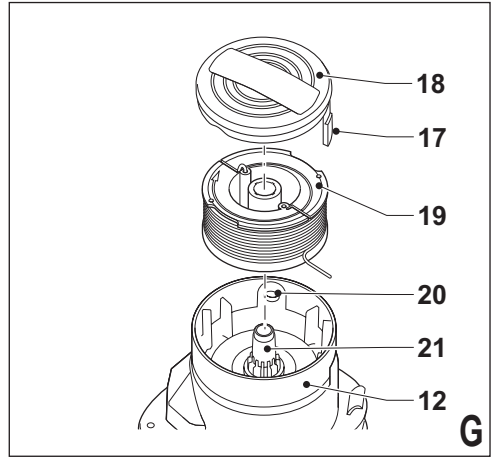
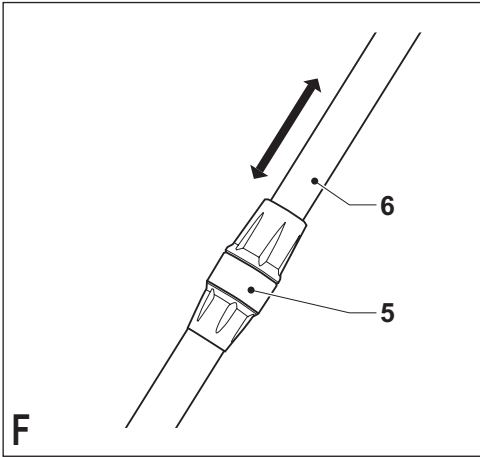


## Powerful Solutions™



<b>English</b>	<b>(Original instructions)</b>	<b>5</b>
<b>Deutsch</b>	<b>(Übersetzung der Originalanleitung)</b>	<b>12</b>
<b>Français</b>	<b>(Traduction des instructions d'origine)</b>	<b>20</b>
<b>Italiano</b>	<b>(Traduzione delle istruzioni originali)</b>	<b>28</b>
<b>Nederlands</b>	<b>(Vertaling van de originele instructies)</b>	<b>36</b>
<b>Español</b>	<b>(Traducción de las instrucciones originales)</b>	<b>44</b>
<b>Português</b>	<b>(Tradução das instruções originais)</b>	<b>52</b>
<b>Svenska</b>	<b>(Översättning av de ursprungliga anvisningarna)</b>	<b>60</b>
<b>Norsk</b>	<b>(Oversettelse av de opprinnelige instruksjonene)</b>	<b>67</b>
<b>Dansk</b>	<b>(Oversættelse af de originale instruktioner)</b>	<b>74</b>
<b>Suomi</b>	<b>(Alkuperäisten ohjeiden käännös)</b>	<b>81</b>
<b>Ελληνικά</b>	<b>(Μετάφραση των αρχικών οδηγιών)</b>	<b>88</b>





## Intended use

Your Black & Decker trimmer has been designed for trimming and finishing lawn edges and to cut grass in confined spaces. This appliance is intended for consumer use only.

Your Black & Decker charger has been designed for charging the battery in the tool with which it was supplied.

## Safety instructions

### General appliance safety warnings



**Warning!** When using mains-powered/cordless appliances, basic safety precautions, including the following, should always be followed to reduce the risk of fire, electric shock, personal injury and material damage.

- ◆ Read all of this manual carefully before using the appliance.
- ◆ The intended use is described in this manual. The use of any accessory or attachment or the performance of any operation with this appliance other than those recommended in this instruction manual may present a risk of personal injury.

### Save all warnings and instructions for future reference.

The term "appliance" in the warnings refers to your mains-operated (corded) appliance or battery-operated (cordless) appliance.

### Using your appliance

Always take care when using the appliance.

- ◆ Keep work area clean and well lit. Cluttered or dark areas invite accidents.
- ◆ Only use the appliance in daylight or good artificial light.
- ◆ Do not operate your appliance in explosive atmospheres, such as in the presence of flammable liquids, gases or dust.
- ◆ Never allow children or people unfamiliar with the instructions to use the appliance.
- ◆ Do not allow children or animals to come near the work area or touch the appliance supply cord.
- ◆ Keep children, bystanders and animals away while operating an appliance. Distractions can cause you to lose control.
- ◆ The appliance is not to be used as a toy.
- ◆ Do not immerse the appliance in water.
- ◆ Do not open body casing. There are no user-serviceable parts inside.

### Personal safety

- ◆ Stay alert, watch what you are doing and use common sense when operating an appliance. Do not use an appliance while you are tired or under the influence of drugs, alcohol or medication.

A moment of inattention while operating an appliance may result in serious personal injury.

- ◆ Where required, use personal protective equipment. Protective equipment such as eye protection, dust mask, non-skid safety shoes, hard hat, or hearing protection used for appropriate conditions will reduce personal injuries.
- ◆ Prevent unintentional starting. Ensure the switch is in the off-position before connecting to power source and/or battery pack, picking up or carrying the appliance. Carrying appliances with your finger on the switch or energising appliances that have the switch on invites accidents.
- ◆ Do not overreach. Keep proper footing and balance at all times. This enables better control of the appliance in unexpected situations.
- ◆ Dress properly. Do not wear loose clothing or jewellery. Keep your hair, clothing and gloves away from moving parts. Loose clothes, jewellery or long hair can be caught in moving parts.

### Appliance use and care

- ◆ Before use, check the appliance for damaged or defective parts. Check for breakage of parts, damage to switches and any other conditions that may affect its operation.
- ◆ Do not use the appliance if the switch does not turn it on and off. Any appliance that cannot be controlled with the switch is dangerous and must be repaired.
- ◆ Disconnect the plug from the power source and/or the battery pack from the appliance before making any adjustments, changing accessories, or storing appliances. Such preventive safety measures reduce the risk of starting the appliance accidentally.
- ◆ Where applicable, keep cutting tools sharp and clean. Properly maintained cutting tools with sharp cutting edges are less likely to bind and are easier to control.
- ◆ Do not use the appliance if any part is damaged or defective.
- ◆ Have any damaged or defective parts repaired or replaced by an authorised repair agent.
- ◆ Never attempt to remove or replace any parts other than those specified in this manual.

### Electrical safety

- ◆ Appliance plugs must match the outlet. Never modify the plug in any way. Do not use any adapter plugs with earthed (grounded) appliance. Unmodified plugs and matching outlets will reduce risk of electric shock.
- ◆ Do not expose appliance to rain or wet conditions. Water entering a appliance will increase the risk of electric shock.
- ◆ Do not abuse the cord. Never use the cord for carrying, pulling or unplugging the appliance. Keep cord away from heat, oil, sharp edges or moving parts.

Damaged or entangled cords increase the risk of electric shock.

- ◆ Where appropriate. When operating an appliance outdoors, use an extension cord suitable for outdoor use. Use of a cord suitable for outdoor use reduces the risk of electric shock.
- ◆ If operating an appliance in a damp location is unavoidable, use a residual current device (RCD) protected supply. Use of an RCD reduces the risk of electric shock.

## Battery tool use and care (cordless appliance only)

- ◆ Recharge only with the charger specified by the manufacturer. A charger that is suitable for one type of battery pack may create a risk of fire when used with another battery pack.
- ◆ Use appliances only with specifically designated battery packs. Use of any other battery packs may create a risk of injury and fire.
- ◆ When battery pack is not in use, keep it away from other metal objects, like paper clips, coins, keys, nails, screws or other small metal objects that can make a connection from one terminal to another. Shorting the battery terminals together may cause burns or a fire.
- ◆ Under abusive conditions, liquid may be ejected from the battery; avoid contact. If contact accidentally occurs, flush with water. If liquid contacts eyes, additionally seek medical help. Liquid ejected from the battery may cause irritation or burns.

## After use

- ◆ When not in use, the appliance should be stored in a dry, well ventilated place out of the reach of children.
- ◆ Children should not have access to stored appliances.
- ◆ When the appliance is stored or transported in a vehicle it should be placed in the boot or restrained to prevent movement following sudden changes in speed or direction.

## Service

- ◆ Have your appliance serviced by a qualified repair person using only identical replacement parts. This will ensure that the safety of the appliance is maintained.

## Additional safety instructions for grass trimmers

The following warning symbols are found on the tool:



Read the manual prior to operation.



Wear safety glasses or goggles when operating this tool.



Keep people and animals at least 6 m away from the cutting area.



Do not expose the tool to rain or high humidity.

- ◆ Be familiar with the controls and the proper use of the tool.
- ◆ Only use the tool in daylight or good artificial light.
- ◆ Before use, check the power supply cord and extension cord for signs of damage, ageing and wear. If a cord becomes damaged during use, disconnect the cord from the mains supply immediately. **DO NOT TOUCH THE CORD BEFORE DISCONNECTING THE SUPPLY.**
- ◆ Do not use the tool if the cords are damaged or worn.
- ◆ Wear stout shoes or boots to protect your feet.
- ◆ Wear long trousers to protect your legs.
- ◆ Before using the tool, check that your cutting path is free from sticks, stones, wire and any other obstacles.
- ◆ Only use the tool in the upright position, with the cutting line near the ground. Never switch the tool on in any other position.
- ◆ Move slowly when using the tool. Be aware that freshly cut grass is damp and slippery.
- ◆ Do not work on steep slopes. Work across the face of slopes, not up and down.
- ◆ Never cross gravel paths or roads while the tool is running.
- ◆ Never touch the cutting line while the tool is running.
- ◆ Do not put the tool down until the cutting line has come to a complete standstill.
- ◆ Use only the appropriate type of cutting line. Never use metal cutting line or fishing line.
- ◆ Be careful not to touch the line trimming blade.
- ◆ Take care to keep the mains cable away from the cutting line. Always be aware of the position of the cable.
- ◆ Keep hands and feet away from the cutting line at all times, especially when switching on the motor.
- ◆ **Warning!** The cutting elements continue to rotate after the tool is switched off.
- ◆ Never operate the tool with damaged guards or without guards in place.
- ◆ Always ensure that the ventilation slots are kept clear of debris.
- ◆ Before using the appliance and after any impact, check for signs of wear or damage and repair as necessary.
- ◆ Take care against injury from any device fitted for trimming the filament line length. After extending new cutter line always return the machine to its normal operating position before switching on.
- ◆ Do not use the lawn trimmer (edge trimmer), if the cords are damaged or worn.
- ◆ Keep extension cords away from cutting elements.

## Safety of others

- ◆ This appliance is not intended for use by persons (including children) with reduced physical, sensory or mental capabilities, or lack of experience and knowledge, unless they have been given supervision or instruction concerning use of the appliance by a person responsible for their safety.
- ◆ Children should be supervised to ensure that they do not play with the appliance.

## Additional safety instructions for batteries and chargers

### Batteries

- ◆ Never attempt to open for any reason.
- ◆ Do not expose the battery to water.
- ◆ Do not store in locations where the temperature may exceed 40 °C.
- ◆ Charge only at ambient temperatures between 10 °C and 40 °C.
- ◆ Charge only using the charger provided with the appliance/tool. Using the wrong charger could result in an electric shock or overheating of the battery.
- ◆ When disposing of batteries, follow the instructions given in the section "Protecting the environment".
- ◆ Do not damage/deform the battery either by puncture or impact, as this may create a risk of injury and fire.
- ◆ Do not charge damaged batteries.
- ◆ Under extreme conditions, battery leakage may occur. When you notice liquid on the batteries carefully wipe the liquid off using a cloth. Avoid skin contact.
- ◆ In case of skin or eye contact, follow the instructions below.

**Warning!** The battery fluid may cause personal injury or damage to property. In case of skin contact, immediately rinse with water. If redness, pain or irritation occurs seek medical attention. In case of eye contact, rinse immediately with clean water and seek medical attention.

### Chargers

Your charger has been designed for a specific voltage. Always check that the mains voltage corresponds to the voltage on the rating plate.

**Warning!** Never attempt to replace the charger unit with a regular mains plug.

- ◆ Use your Black & Decker charger only to charge the battery in the tool with which it was supplied. Other batteries could burst, causing personal injury and damage.
- ◆ Never attempt to charge non-rechargeable batteries.
- ◆ If the supply cord is damaged, it must be replaced by the manufacturer or an authorised Black & Decker Service Centre in order to avoid a hazard.

- ◆ Do not expose the charger to water.
- ◆ Do not open the charger.
- ◆ Do not probe the charger.
- ◆ The appliance/tool/battery must be placed in a well ventilated area when charging.

The following symbols are found on the battery:



Fire hazard! Avoid short-circuiting the contacts of a detached battery (e.g. when storing the battery in a toolbox).



Do not incinerate the battery.

The following symbols are found on your charger:



The charger is intended for indoor use only.

### Labels on appliance

The following warning symbols are found on the appliance:



Read the manual prior to operation.



Wear safety glasses or goggles when operating this appliance.



Keep people and animals at least 6 m away from the cutting area.



Do not expose the appliance to rain or high humidity.

### Electrical safety



Your charger is double insulated; therefore no earth wire is required. Always check that the mains voltage corresponds to the voltage on the rating plate.

- ◆ If the supply cord is damaged, it must be replaced by the manufacturer or an authorised Black & Decker Service Centre in order to avoid a hazard.
- ◆ **Warning!** Never attempt to replace the charger unit with a regular mains plug.

### Features

This tool includes some or all of the following features.

1. On/off switch
2. Lock-off button
3. Handle

4. Secondary handle
5. Height adjustment collar
6. Tube
7. Mode adjustment collar
8. Head
9. Edge guide
10. Guard
11. Cutting line
12. Spool housing
13. Line trimming blade

## Assembly

**Warning!** Avoid accidentally switching the tool on during assembly.

### Fitting the guard (fig. A)

- ◆ Place the guard (10) onto the tool as shown.
- ◆ Firmly press the guard until it snaps into place.
- ◆ Secure the guard with the screw (14).

**Warning!** Never use the tool unless the guard is properly fitted.

### Releasing the cutting line

In transit, the cutting line is taped to the spool housing.

- ◆ Remove the tape holding the cutting line (11) to the spool housing (12).

## Use

**Warning!** Let the tool work at its own pace. Do not overload.

### Charging the battery (fig. B)

The battery needs to be charged before first use and whenever it fails to produce sufficient power on jobs that were easily done before. When charging the battery for the first time, or after prolonged storage, it will only accept an 80% charge. After several charge and discharge cycles, the battery will attain full capacity. The battery may become warm while charging; this is normal and does not indicate a problem.

- ◆ Insert the charger plug (15) into the charger connector (16) at the rear of the tool.
- ◆ Plug the charger into a mains outlet.
- ◆ Switch on at the mains.

The battery can be left connected to the charger indefinitely.

- ◆ When you want to use the tool, take the charger connector from the tool and unplug the charger.

To maximise the lifetime of the battery, it is recommended to keep the battery connected to the charger whenever the tool is not in use. When the battery is full, the power consumption of the charger is negligible.

### Setting the tool to trimming or edging mode (fig. C - E)

The tool can be used in trimming mode as shown in fig. C or in edging mode to trim overhanging grass along lawn edges and flower beds as shown in fig. D.

#### Trimming mode (fig. C & E)

For trimming, the trimmer head should be in the position shown in fig. C. If it is not:

- ◆ While holding the secondary handle (4) with one hand, take the collar (7) in the other hand.
- ◆ Push the collar in the direction of the trimmer head and rotate it counterclockwise until the trimmer head engages in the trimming position.
- ◆ Release the collar.
- ◆ Set the edge guide (9) to the retracted position.

#### Edging mode (fig. D & E)

For edging, the trimmer head should be in the position shown in fig. D. If it is not:

- ◆ While holding the secondary handle (4) with one hand, take the collar (7) in the other hand.
- ◆ Push the collar in the direction of the trimmer head and rotate it clockwise until the trimmer head engages in the trimming position.
- ◆ Release the collar.
- ◆ Set the edge guide (9) to the extended position.

### Adjusting the height of the tool (fig. F)

The telescopic tube (6) allows you to set the tool to a comfortable height.

- ◆ Loosen the collar (5).
- ◆ To increase the height, slide the tube out.
- ◆ To reduce the height, slide the tube in.
- ◆ Tighten the collar.

### Switching on and off

For your safety, this tool is equipped with a double switching system. This system prevents starting the tool inadvertently.

#### Switching on

- ◆ Push the lock-off button (2) backward using your thumb and at the same time squeeze the on/off switch (1).
- ◆ Release the lock-off button.

#### Switching off

- ◆ Release the on/off switch (1).

**Warning!** Never attempt to lock the trigger lever in the on position.



## Hints for optimum use

### General

- ◆ In order to achieve optimum cutting results, only cut dry grass.

### Trimming

- ◆ Hold the tool as shown in fig. C.
- ◆ Gently swing the trimmer from side to side.
- ◆ When cutting long grass, work in stages from the top. Take small cuts.
- ◆ Keep the tool away from hard objects and delicate plants.
- ◆ If the tool starts running slowly, reduce the load.

### Edging

Optimum cutting results are achieved on edges deeper than 50 mm.

- ◆ Do not use the tool to create edges. To create edges, use an edging spade.
- ◆ Guide the tool as shown in fig. D.
- ◆ To make a closer cut, slightly tilt the tool.

### Fitting a new spool of cutting line (fig. G)

Replacement spools of cutting line are available from your Black & Decker dealer (catalogue number: A6481).

- ◆ Keep the tabs (17) depressed and remove the spool cover (18) from the housing (12).
- ◆ Remove the empty spool (19) from the spool housing.
- ◆ Remove any dirt and grass from the spool cover and housing.
- ◆ Take the new spool and unwind approximately 9 cm of cutting line.
- ◆ Feed the cutting line through the eyelet (20).
- ◆ Push the spool onto the drive shaft (21) and rotate it slightly until it is seated. Make sure that the cutting line is not trapped under the spool and that 9 cm of cutting line protrudes from the housing.
- ◆ Align the tabs on the spool cover with the holes in the housing.
- ◆ Push the cover onto the housing until it snaps securely into place.

**Warning!** If the cutting lines protrude beyond the trimming blade (13), cut them off so that they just reach the blade.

### Winding new line onto an empty spool (fig. H & I)

Replacement packs of cutting line are available from your Black & Decker dealer (catalogue number: A6170 (25 m) & A6171 (40 m)).

- ◆ Remove the empty spool from the tool as described above.
- ◆ Remove any remaining cutting line from the spool.
- ◆ Feed 2 cm of cutting line into one of the holes (22) in the spool as shown.

- ◆ Bend the cutting line and anchor it in the L-shaped slot (23).
- ◆ Wind the cutting line onto the spool in the direction of the arrow (24). Make sure to wind the line on neatly and in layers. Do not criss-cross.
- ◆ When the wound cutting line reaches the recesses (25), cut the line. Let the line protrude approximately 9 cm from the spool and hold a finger on the line to keep it in place.
- ◆ Proceed as described above to fit the spool on the tool.

**Warning!** Only use the appropriate type of Black & Decker cutting line. Ensure that cutting line is present in both sections of the spool.

### Storage

When the tool will not be used for several months, ideally leave the battery connected to the charger. Otherwise proceed as follows:

- ◆ Fully charge the battery.
- ◆ Store the tool in a secure and dry location. The storage temperature must always remain in the range of +5 °C to +40 °C.
- ◆ Before using the tool after prolonged storage, fully charge the battery again.

### Troubleshooting

If your tool seems not to operate properly, follow the instructions below. If this does not solve the problem, please contact your local Black & Decker repair agent.

**Warning!** Avoid accidentally switching the tool on.

#### Tool runs slowly

- ◆ Check that the spool housing can rotate freely. Carefully clean it if necessary.
- ◆ Check that the cutting line does not protrude more than 11 cm from the spool housing. If it does, cut it off so that it just reaches the line trimming blade.

#### Automatic line feed does not work

- ◆ Keep the tabs depressed and remove the spool cover from the housing.
- ◆ Pull the cutting line until it protrudes 11 cm from the housing. If insufficient cutting line is left on the spool, install a new spool of cutting line as instructed above.
- ◆ Align the tabs on the spool cover with the cut outs in the housing.
- ◆ Push the cover onto the housing until it snaps securely into place.
- ◆ If the cutting line protrudes beyond the trimming blade, cut it off so that it just reaches the blade.

If the automatic line feed still does not work or the spool is jammed, try the following suggestions:

- ◆ Carefully clean the spool cover and housing.

- ◆ Remove the spool and check if the lever can move freely.
- ◆ Remove the spool and unwind the cutting line, then wind it on neatly again as described above. Replace the spool as instructed.

## Maintenance

Your Black & Decker corded/cordless appliance/tool has been designed to operate over a long period of time with a minimum of maintenance. Continuous satisfactory operation depends upon proper tool care and regular cleaning.

**Warning!** Before performing any maintenance on corded/cordless power tools:

- ◆ Switch off and unplug the appliance/tool.
- ◆ Or switch off and remove the battery from the appliance/tool if the appliance/tool has a separate battery pack.
- ◆ Or run the battery down completely if it is integral and then switch off.
- ◆ Unplug the charger before cleaning it. Your charger does not require any maintenance apart from regular cleaning.
- ◆ Regularly clean the ventilation slots in your appliance/tool/charger using a soft brush or dry cloth.
- ◆ Regularly clean the motor housing using a damp cloth. Do not use any abrasive or solvent-based cleaner.
- ◆ Regularly open the chuck and tap it to remove any dust from the interior (when fitted).

## Protecting the environment



Separate collection. This product must not be disposed of with normal household waste.

Should you find one day that your Black & Decker product needs replacement, or if it is of no further use to you, do not dispose of it with household waste. Make this product available for separate collection.



Separate collection of used products and packaging allows materials to be recycled and used again. Re-use of recycled materials helps prevent environmental pollution and reduces the demand for raw materials.

Local regulations may provide for separate collection of electrical products from the household, at municipal waste sites or by the retailer when you purchase a new product.

Black & Decker provides a facility for the collection and recycling of Black & Decker products once they have reached the end of their working life. To take advantage of this service please return your product to any authorised repair agent who will collect them on our behalf.

You can check the location of your nearest authorised repair agent by contacting your local Black & Decker office at the address indicated in this manual. Alternatively, a list of authorised Black & Decker repair agents and full details of our after-sales service and contacts are available on the Internet at: [www.2helpU.com](http://www.2helpU.com)

## Batteries



At the end of their useful life, discard batteries with due care for our environment.

- ◆ Do not short-circuit the battery terminals.
- ◆ Do not dispose of the battery(s) in a fire as this may result in a risk of personal injury or an explosion.
- ◆ Run the battery down completely, then remove it from the tool.
- ◆ Batteries are recyclable. Place the battery(s) in a suitable packaging to ensure that the terminals cannot be short-circuited. Take them to any authorised repair agent or a local recycling station.

## Technical data

	GLC13 H2
Voltage	V <sub>DC</sub> 12
No-load speed	min <sup>-1</sup> 7,500
Weight	kg 3.2

Hand/arm weighted vibration value according to EN 786: < 2.5

**EC declaration of conformity**MACHINERY DIRECTIVE  
OUTDOOR NOISE DIRECTIVE

GLC13

Black & Decker declares that these products described under "technical data" are in compliance with:  
98/37/EC (until Dec. 28, 2009), 2006/42/EC  
(from Dec. 29, 2009), 2004/108/EC, EN 60335-1,  
EN 60335-2-91

2000/14/EC, Lawn Mower, L ≤ 50 cm, Annex VIII

KEMA Quality B.V., Utrechtseweg 310, 6802 ED Arnhem,  
The Netherlands  
Notified Body ID No.: 0344

Level of acoustic power according to 2000/14/EC  
(Article 12, Annex VIII, L ≤ 50 cm):

$L_{WA}$  (measured sound power) 92 dB(A)

$L_{WA}$  (guaranteed sound power) 94 dB(A)

For more information, please contact Black & Decker at the following address or refer to the back of the manual.

The undersigned is responsible for compilation of the technical file and makes this declaration on behalf of Black & Decker.

Kevin Hewitt  
Vice-President Global Engineering  
Black & Decker Europe, 210 Bath Road, Slough,  
Berkshire, SL1 3YD  
United Kingdom  
10-12-2009

If a Black & Decker product becomes defective due to faulty materials, workmanship or lack of conformity, within 24 months from the date of purchase, Black & Decker guarantees to replace defective parts, repair products subjected to fair wear and tear or replace such products to ensure minimum inconvenience to the customer unless:

- ◆ The product has been used for trade, professional or hire purposes;
- ◆ The product has been subjected to misuse or neglect;
- ◆ The product has sustained damage through foreign objects, substances or accidents;
- ◆ Repairs have been attempted by persons other than authorised repair agents or Black & Decker service staff.

To claim on the guarantee, you will need to submit proof of purchase to the seller or an authorised repair agent. You can check the location of your nearest authorised repair agent by contacting your local Black & Decker office at the address indicated in this manual. Alternatively, a list of authorised Black & Decker repair agents and full details of our after-sales service and contacts are available on the Internet at: [www.2helpU.com](http://www.2helpU.com)

Please visit our website [www.blackanddecker.co.uk](http://www.blackanddecker.co.uk) to register your new Black & Decker product and to be kept up to date on new products and special offers. Further information on the Black & Decker brand and our range of products is available at [www.blackanddecker.co.uk](http://www.blackanddecker.co.uk)

**Guarantee**

Black & Decker is confident of the quality of its products and offers an outstanding guarantee. This guarantee statement is in addition to and in no way prejudices your statutory rights. The guarantee is valid within the territories of the Member States of the European Union and the European Free Trade Area.

## Bestimmungsgemäße Verwendung

Ihr Black & Decker Strimmer wurde zum Trimmen und Beschneiden von Rasenkanten sowie zum Schneiden von Gras an schwer zugänglichen Stellen entwickelt. Dieses Gerät ist nicht für den gewerblichen Einsatz vorgesehen.

Ihr Black & Decker Ladegerät dient zum Aufladen des im Werkzeug befindlichen, mitgelieferten Akkus.

## Sicherheitshinweise

### Allgemeine Sicherheitshinweise für Geräte



**Achtung!** Bei der Verwendung netzbetriebener/schnurloser Geräte sind zum Schutz vor Feuergefahr, elektrischen Schlägen sowie Körperverletzungen und Sachschäden grundlegende Sicherheitsmaßnahmen einschließlich der folgenden Vorschriften zu beachten.

- ◆ Lesen Sie diese Anleitung genau durch, bevor Sie das Gerät verwenden.
- ◆ Die bestimmungsgemäße Verwendung ist in dieser Bedienungsanleitung beschrieben. Das Verwenden anderer als der in dieser Anleitung empfohlenen Vorsatzgeräte und Zubehörteile oder die Ausführung von Arbeiten mit diesem Gerät, die nicht der bestimmungsgemäßen Verwendung entsprechen, kann zu Unfallgefahren führen.

### Bewahren Sie alle Warnhinweise und sonstigen Anweisungen zur künftigen Bezugnahme auf.

Der Begriff "Gerät" in den Warnhinweisen bezieht sich auf Ihr netzbetriebenes Gerät (mit Netzkabel) oder Ihr akkubetriebenes Gerät (schnurlos).

### Gebrauch des Gerätes

Gehen Sie beim Gebrauch des Geräts stets vorsichtig vor.

- ◆ Halten Sie Ihren Arbeitsbereich sauber und gut ausgeleuchtet. Unordnung und dunkle Arbeitsbereiche fordern Unfälle geradezu heraus.
- ◆ Verwenden Sie das Gerät nur bei Tageslicht oder guter künstlicher Beleuchtung.
- ◆ Betreiben Sie Ihr Gerät nicht in explosionsgefährdeter Umgebung, in der sich brennbare Flüssigkeiten, Gase oder Stäube befinden.
- ◆ Untersagen Sie Kindern sowie Personen, die sich mit dem Inhalt dieser Anleitung nicht auskennen, die Verwendung dieses Geräts.
- ◆ Halten Sie Kinder und Tiere vom Arbeitsbereich fern, und sorgen Sie dafür, daß Gerät und Netzkabel nicht berührt werden.

- ◆ Halten Sie Kinder, Unbeteiligte und Tiere bei der Arbeit mit dem Gerät stets fern. Bei Ablenkung können Sie die Kontrolle verlieren.
- ◆ Das Gerät darf nicht als Spielzeug verwendet werden.
- ◆ Tauchen Sie das Gerät nicht in Wasser ein.
- ◆ Öffnen Sie nicht das Gehäuse. Das Gerät enthält keine vom Benutzer zu wartenden Teile.

### Sicherheit von Personen

- ◆ Seien Sie aufmerksam, achten Sie darauf, was Sie tun, und gehen Sie vernünftig mit einem Gerät um. Benutzen Sie das Gerät nicht, wenn Sie müde sind oder unter dem Einfluß von Drogen, Alkohol oder Medikamenten stehen. Ein Moment der Unachtsamkeit beim Gebrauch eines Geräts kann zu ernsthaften Verletzungen führen.
- ◆ Verwenden Sie gegebenenfalls Personenschutz-ausrüstung. Das Tragen von Schutzausrüstung wie Augenschutz, Staubmaske, rutschfesten Sicherheitsschuhen, Schutzhelm oder Gehörschutz - je nach Art und Einsatz des Elektrowerkzeuges - verringert das Risiko von Verletzungen.
- ◆ Vermeiden Sie eine unbeabsichtigte Inbetriebnahme. Vergewissern Sie sich, daß der Schalter auf Stellung AUS steht, bevor Sie den Stecker in die Steckdose stecken und/oder den Akku anschließen, das Gerät aufnehmen oder tragen. Wenn Sie beim Tragen des Geräts den Finger am Schalter haben oder das Gerät eingeschaltet an die Stromversorgung anschließen, fordert dies Unfälle geradezu heraus.
- ◆ Nicht zu weit nach vorne strecken. Achten Sie auf einen sicheren Stand, um in jeder Arbeitsposition das Gleichgewicht zu halten. Dadurch können Sie das Gerät in unerwarteten Situationen besser unter Kontrolle halten.
- ◆ Tragen Sie geeignete Kleidung. Tragen Sie keine weite Kleidung oder Schmuck. Halten Sie Haare, Kleidung und Handschuhe fern von sich bewegenden Teilen. Lockere Kleidung, Schmuck oder lange Haare können von sich bewegenden Teilen erfaßt werden.

### Gebrauch und Pflege des Geräts

- ◆ Überprüfen Sie das Gerät vor dem Gebrauch auf beschädigte oder defekte Teile. Prüfen Sie, ob Teile gebrochen, Schalter beschädigt oder andere Zustände eingetreten sind, die die Funktion des Gerätes beeinträchtigen.
- ◆ Verwenden Sie das Gerät nicht, wenn der Ein-/Ausschalter nicht funktioniert. Ein Gerät, das sich nicht mehr ein- oder ausschalten läßt, ist gefährlich und muß repariert werden.
- ◆ Trennen Sie den Stecker von der Stromquelle und/oder den Akku vom Gerät, bevor Einstellungen vorgenommen, Zubehör gewechselt oder Geräte verstaut werden. Diese Vorsichtsmaßnahmen verhindern den unbeabsichtigten Start des Gerätes.

- ◆ Falls zutreffend, halten Sie Schneidwerkzeuge scharf und sauber. Sorgfältig gepflegte Schneidwerkzeuge mit scharfen Schneidkanten verkleben sich weniger und sind leichter zu führen.
- ◆ Benutzen Sie das Gerät nicht, wenn irgendein Teil defekt ist.
- ◆ Lassen Sie defekte Teile immer von einer unserer Kundendienstwerkstätten reparieren oder austauschen.
- ◆ Versuchen Sie nie, irgendwelche Teile zu entfernen oder auszutauschen, die nicht in dieser Anleitung beschrieben werden.

### Elektrische Sicherheit

- ◆ Die Gerätestecker müssen in die Steckdose passen. Der Stecker darf in keiner Weise verändert werden. Verwenden Sie keine Adapterstecker gemeinsam mit schutzgeerdeten Geräten. Unveränderte Stecker und passende Steckdosen verringern das Risiko eines elektrischen Schlages.
- ◆ Halten Sie das Gerät von Regen und Nässe fern. Das Eindringen von Wasser in ein Gerät erhöht das Risiko eines elektrischen Schlages.
- ◆ Mißbrauchen Sie nicht das Kabel. Verwenden Sie das Kabel niemals zum Tragen, Ziehen oder Trennen des Gerätes vom Netz. Halten Sie das Kabel fern von Hitze, Öl, scharfen Kanten oder sich bewegenden Teilen. Beschädigte oder verwickelte Kabel erhöhen das Risiko eines elektrischen Schlages.
- ◆ Falls zutreffend. Wenn Sie mit einem Gerät im Freien arbeiten, verwenden Sie nur Verlängerungskabel, die auch für den Außenbereich zugelassen sind. Die Verwendung eines für den Außenbereich geeigneten Verlängerungskabels verringert das Risiko eines elektrischen Schlages.
- ◆ Falls der Betrieb eines Gerätes in einer feuchten Umgebung unvermeidbar ist, verwenden Sie einen mit einem Fehlerstromschutzschalter (FI-Schutzschalter) abgesicherten Stromkreis. Durch die Verwendung eines FI-Schutzschalters wird das Risiko eines Stromschlags verringert.

### Gebrauch und Pflege von Akkuwerkzeugen (nur schnurlose Geräte)

- ◆ Laden Sie die Akkus nur in Ladegeräten auf, die vom Hersteller angegeben wurden. Für ein Ladegerät, das nur für eine bestimmte Akkuart geeignet ist, besteht Brandgefahr, wenn es mit anderen Akkus verwendet wird.
- ◆ Verwenden Sie nur die für die Geräte vorgesehenen Akkus. Der Gebrauch anderer Akkus kann zu Verletzungen und Brandgefahr führen.
- ◆ Halten Sie den nicht benutzten Akku fern von Büroklammern, Münzen, Schlüsseln, Nägeln, Schrauben oder anderen kleinen Metallgegenständen, die eine Überbrückung der Kontakte verursachen könnten.

Ein Kurzschluss zwischen den Akkukontakten kann Verbrennungen oder Feuer zur Folge haben.

- ◆ Bei falscher Anwendung kann Flüssigkeit aus dem Akku austreten. Vermeiden Sie den Kontakt damit. Bei unbeabsichtigtem Kontakt mit Wasser abspülen. Gelangt die Flüssigkeit in die Augen, ziehen Sie außerdem ärztliche Hilfe hinzu. Austretende Akkufflüssigkeit kann zu Hautreizungen oder Verbrennungen führen.

### Nach der Verwendung

- ◆ Das unbenutzte Gerät ist an einem trockenen, gut belüfteten und für Kinder nicht erreichbaren Ort aufzubewahren.
- ◆ Kinder sollten keinen Zugang zu aufbewahrten Geräten haben.
- ◆ Wird das Gerät in einem Fahrzeug aufbewahrt oder transportiert, so sollte es in den Kofferraum gelegt oder gesichert werden, um eine Bewegung durch plötzliche Geschwindigkeits- oder Fahrtrichtungsänderungen zu vermeiden.

### Service

- ◆ Lassen Sie Ihr Gerät nur von qualifiziertem Fachpersonal und nur mit Original-Ersatzteilen reparieren. Damit wird gewährleistet, daß die Sicherheit des Geräts erhalten bleibt.

### Zusätzliche Sicherheitsanweisungen für Rasentrimmer

Das Gerät ist mit folgenden Warnsymbolen versehen:



Lesen Sie vor der Inbetriebnahme die Anleitung.



Tragen Sie bei der Verwendung dieses Geräts eine Schutzbrille!



Halten Sie Umstehende und Tiere mindestens 6 m vom Arbeitsbereich fern.



Setzen Sie das Gerät keinem Regen oder hoher Feuchtigkeit aus.

- ◆ Machen Sie sich mit den Bedienelementen und dem richtigen Gebrauch des Geräts vertraut.
- ◆ Verwenden Sie das Gerät nur bei Tageslicht oder guter künstlicher Beleuchtung.
- ◆ Überprüfen Sie vor dem Gebrauch das Netz- und Verlängerungskabel auf Beschädigung, Alterung und Verschleiß. Falls ein Kabel beim Gebrauch beschädigt wird, trennen Sie das Kabel sofort vom Netz. **BERÜHREN SIE DAS KABEL NICHT, SOLANGE ES NOCH NICHT VOM NETZ GETRENNT IST.**
- ◆ Verwenden Sie das Gerät nicht, wenn die Kabel beschädigt oder verschlissen sind.

- ◆ Tragen Sie zum Schutz Ihrer Füße feste Schuhe oder Stiefel.
- ◆ Tragen Sie zum Schutz Ihrer Beine eine lange Hose.
- ◆ Bevor Sie das Gerät verwenden, vergewissern Sie sich, daß der Arbeitsbereich frei von Stöcken, Steinen, Draht und anderen Hindernissen ist.
- ◆ Verwenden Sie das Gerät nur in aufrechter Position, mit dem Schneidfaden nahe am Boden. Schalten Sie das Gerät niemals ein, wenn es sich in einer anderen Position befindet.
- ◆ Bewegen Sie sich während der Arbeit mit dem Gerät nur langsam. Beachten Sie, daß frisch geschnittener Rasen feucht und rutschig ist.
- ◆ Arbeiten Sie nicht auf steilen Hängen. Schneiden Sie entlang der Böschung, nie von oben nach unten.
- ◆ Überqueren Sie keine Kieselwege oder -wege, während das Gerät läuft.
- ◆ Berühren Sie nie den Schneidfaden, während das Gerät läuft.
- ◆ Legen Sie das Gerät erst ab, wenn der Schneidfaden vollkommen zum Stillstand gekommen ist.
- ◆ Verwenden Sie ausschließlich Schneidfäden des richtigen Typs. Verwenden Sie nie Schneidfäden aus Metall oder Angelschnur.
- ◆ Achten Sie darauf, daß Sie das Faden-Kappmesser nicht berühren.
- ◆ Halten Sie das Netzkabel vom Schneidfaden fern. Achten Sie immer auf die Lage des Kabels.
- ◆ Halten Sie stets die Hände und Füße vom Schneidfaden fern, besonders beim Einschalten des Motors.
- ◆ **Achtung!** Wird das Gerät ausgeschaltet, so laufen die Schneidelemente nach.
- ◆ Betreiben Sie das Gerät niemals mit beschädigten oder nicht angebrachten Schutzvorrichtungen.
- ◆ Vergewissern Sie sich stets, daß die Ventilationsschlitze frei von Unrat sind.
- ◆ Vor der Verwendung des Geräts und nach jeder Stoßeinwirkung prüfen Sie das Gerät auf Anzeichen von Verschleiß und Beschädigungen und führen Sie gegebenenfalls Reparaturen aus.
- ◆ Schützen Sie sich vor Verletzungen durch Einrichtungen, die zum Kürzen des Fadens angebracht sind. Nach dem Verlängern des neuen Schneidfadens bringen Sie das Gerät wieder in seine normale Betriebsposition, bevor Sie es einschalten.
- ◆ Verwenden Sie den Rasentrimmer (Kantentrimmer) nicht, wenn die Leitungen beschädigt oder verschlissen sind.
- ◆ Halten Sie Verlängerungsleitungen immer von den Schneidelementen fern.

## Sicherheit anderer Personen

- ◆ Dieses Gerät darf nicht von Personen (einschließlich Kindern) mit eingeschränkten körperlichen, sensorischen oder geistigen Fähigkeiten verwendet werden. Auch darf es nicht von Personen verwendet werden, die keine Erfahrung mit dem Gerät oder Kenntnis darüber haben, es sei denn, sie stehen beim Gebrauch unter der Aufsicht und Anleitung einer für deren Sicherheit verantwortlichen Person.
- ◆ Kinder müssen beaufsichtigt werden, um sicherzustellen, daß sie nicht mit dem Gerät spielen.

## Zusätzliche Sicherheitsanweisungen für Akkus und Ladegeräte

### Akkus

- ◆ Versuchen Sie auf keinen Fall, einen Akku zu öffnen.
- ◆ Setzen Sie den Akku keiner Feuchtigkeit aus.
- ◆ Lagern Sie den Akku nicht an einem Ort, an dem die Temperatur 40 °C überschreiten kann.
- ◆ Nur bei Umgebungstemperaturen zwischen 10 °C und 40 °C aufladen.
- ◆ Laden Sie den Akku nur mit dem im Lieferumfang enthaltenen Ladegerät. Durch die Verwendung des falschen Ladegeräts besteht das Risiko eines Stromschlags oder die Gefahr der Überhitzung des Akkus.
- ◆ Befolgen Sie bei der Entsorgung von Akkus die Anweisungen im Abschnitt "Umweltschutz".
- ◆ Beschädigen und deformieren Sie den Akku nicht - weder durch Einstiche noch durch Schläge, da Sie sich hierdurch verletzen können und ein Brand entstehen kann.
- ◆ Laden Sie keine beschädigten Akkus.
- ◆ Unter extremen Einsatzbedingungen kann Akkufflüssigkeit austreten. Wenn Sie Flüssigkeit auf den Akkus feststellen, wischen Sie diese vorsichtig mit einem Lappen weg. Vermeiden Sie eine Berührung mit der Haut.
- ◆ Falls die Flüssigkeit doch mit der Haut oder den Augen in Berührung kommen sollte, befolgen Sie die folgenden Hinweise.

**Achtung!** Die Akkufflüssigkeit kann zu Personenverletzungen oder Sachschäden führen. Bei einem Hautkontakt spülen Sie sofort mit reichlich Wasser. Treten Rötungen, Schmerzen oder Reizungen auf, suchen Sie einen Arzt auf. Bei Augenkontakt spülen Sie die Augen sofort mit sauberem Wasser aus und suchen Sie einen Arzt auf.

### Ladegeräte

Ihr Ladegerät wurde für eine bestimmte Spannung konstruiert. Überprüfen Sie immer, ob die Netzspannung mit der Spannung auf der Datenplakette übereinstimmt.

**Achtung!** Tauschen Sie das Ladegerät auf keinen Fall gegen einen Netzstecker aus.

- ◆ Verwenden Sie Ihr Black & Decker Ladegerät nur zum Laden von Akkus des im Lieferumfang enthaltenen Typs. Andere Akkus könnten platzen und Sach- und Personenschäden verursachen.
- ◆ Versuchen Sie nie, nicht aufladbare Akkus zu laden.
- ◆ Falls das Netzkabel beschädigt ist, so ist es vom Hersteller oder einem autorisierten Black & Decker Service Center auszutauschen, um Gefahren vorzubeugen.
- ◆ Setzen Sie das Ladegerät niemals Feuchtigkeit aus.
- ◆ Öffnen Sie das Ladegerät nicht.
- ◆ Manipulieren Sie das Ladegerät nicht.
- ◆ Gerät/Werkzeug/Akku müssen sich beim Aufladen an einem gut belüfteten Ort befinden.

Der Akku ist mit folgenden Symbolen versehen:



Feuergefahr! Vermeiden Sie, daß Metallteile die Anschlüsse eines nicht am Gerät befindlichen Akkus kurzschließen (z.B. wenn Sie einen Akku im Werkzeugkasten aufbewahren).



Verbrennen Sie den Akku nicht.

Das Ladegerät ist mit folgenden Symbolen versehen:



Das Ladegerät ist ausschließlich für den Gebrauch in geschlossenen Räumen vorgesehen.

### Schilder auf dem Gerät

Das Gerät ist mit folgenden Warnsymbolen versehen:



Lesen Sie vor der Inbetriebnahme die Anleitung.



Tragen Sie bei der Verwendung dieses Geräts eine Schutzbrille!



Halten Sie Umstehende und Tiere mindestens 6 m vom Arbeitsbereich fern.



Setzen Sie das Gerät keinem Regen oder hoher Feuchtigkeit aus.

### Elektrische Sicherheit



Ihr Ladegerät ist schutzisoliert, daher ist keine Erdleitung erforderlich. Überprüfen Sie immer, ob die Netzspannung mit der Spannung auf der Datenplakette übereinstimmt.

- ◆ Falls das Netzkabel beschädigt ist, so ist es vom Hersteller oder einem autorisierten Black & Decker Service Center auszutauschen, um Gefahren vorzubeugen.
- ◆ **Achtung!** Tauschen Sie das Ladegerät auf keinen Fall gegen einen Netzstecker aus.

### Merkmale

Dieses Gerät weist einige oder alle der folgenden Merkmale auf.

1. Ein-/Aus-Schalter
2. Einschaltperre
3. Handgriff
4. Zweithandgriff
5. Höheneinstellung
6. Rohr
7. Betriebsart-Einstellung
8. Kopf
9. Kantenführung
10. Schutzvorrichtung
11. Schneidfaden
12. Spulengehäuse
13. Faden-Kappmesser

### Montage

**Achtung!** Vermeiden Sie bei der Montage ein versehentliches Einschalten des Werkzeuges.

### Anbringen der Schutzvorrichtung (Abb. A)

- ◆ Bringen Sie die Schutzvorrichtung (10) gemäß der Abbildung am Werkzeug an.
- ◆ Drücken Sie die Schutzvorrichtung fest bis sie einrastet.
- ◆ Befestigen Sie die Schutzvorrichtung mit Hilfe der Schraube (14).

**Achtung!** Verwenden Sie das Werkzeug nur, wenn die Schutzvorrichtung ordnungsgemäß montiert ist.

### Lösen des Schneidfadens

Ab Werk ist der Schneidfaden mit Kleband am Spulengehäuse befestigt.

- ◆ Entfernen Sie das Kleband, mit dem der Schneidfaden (11) am Spulengehäuse (12) befestigt ist.

### Gebrauch

**Achtung!** Beschleunigen Sie den Arbeitsvorgang nicht mit Gewalt. Vermeiden Sie eine Überlastung des Gerätes.

### Laden des Akkus (Abb. B)

Der Akku ist zu laden vor dem ersten Gebrauch und wenn die Leistung des Akku-Geräts spürbar nachläßt. Wenn der Akku zum ersten Mal oder nach längerer Lagerung geladen wird, wird er nur 80% der Nennkapazität erreichen. Erst nach mehreren Lade- und Entladezyklen wird der Akku die volle Kapazität erreichen. Während des Ladens kann sich der Akku erwärmen. Dies deutet jedoch nicht auf irgendein Problem hin.

- ◆ Stecken Sie den Ladegerätstecker (15) in die Ladegerätebuchse (16) hinten am Gerät.
- ◆ Stecken Sie das Ladegerät in eine Steckdose.
- ◆ Schalten Sie es am Hauptschalter ein.

Der Akku kann beliebig lange am Ladegerät angeschlossen bleiben.

- ◆ Wenn Sie das Werkzeug verwenden wollen, trennen Sie den Ladegerätstecker vom Werkzeug und ziehen Sie das Ladegerät aus der Steckdose.

Um die Lebensdauer des Akkus zu verlängern, empfiehlt es sich, den Akku immer an das Ladegerät anzuschließen, wenn das Werkzeug nicht verwendet wird. Wenn der Akku voll ist, ist die Stromaufnahme des Ladegerätes zu vernachlässigen.

## Einstellen des Werkzeuges auf Trimmen oder Kantenschneiden (Abb. C - E)

Dieses Werkzeug kann sowohl zum Trimmen wie in Abb. C als auch zum Kantenschneiden (Beschneiden von überhängendem Gras entlang von Rasenkanten und Blumenbeeten) wie in Abb. D verwendet werden.

### Trimm-Modus (Abb. C & E)

Zum Trimmen sollte sich der Trimmerkopf in der in Abb. C gezeigten Position befinden. Falls nicht:

- ◆ Während Sie das Werkzeug mit einer Hand am Zweithandgriff (4) halten, halten Sie den Ring (7) mit der anderen.
- ◆ Drücken Sie den Ring in Richtung des Trimmerkopfes und drehen Sie ihn gegen den Uhrzeigersinn, bis der Trimmerkopf in der Trimm-Position einrastet.
- ◆ Lassen Sie den Ring los.
- ◆ Fahren Sie die Kantenführung (9) ein.

### Kantenschneidemodus (Abb. D & E)

Zum Kantenschneiden sollte sich der Trimmerkopf in der in Abb. D gezeigten Position befinden. Falls nicht:

- ◆ Während Sie das Werkzeug mit einer Hand am Zweithandgriff (4) halten, halten Sie den Ring (7) mit der anderen.
- ◆ Drücken Sie den Ring in Richtung des Trimmerkopfes und drehen Sie ihn im Uhrzeigersinn, bis der Trimmerkopf in der Trimm-Position einrastet.
- ◆ Lassen Sie den Ring los.
- ◆ Fahren Sie die Kantenführung (9) aus.

## Einstellen der Werkzeughöhe (Abb. F)

Mit dem Teleskoprohr (6) können Sie das Werkzeug auf eine komfortable Höhe einstellen.

- ◆ Lösen Sie den Ring (5).
- ◆ Um die Höhe zu vergrößern, ziehen Sie das Rohr heraus.
- ◆ Um die Höhe zu verringern, schieben Sie das Rohr hinein.
- ◆ Ziehen Sie den Ring an.

## Ein- und Ausschalten

Aus Sicherheitsgründen ist dieses Werkzeug mit einem Doppelschaltersystem ausgestattet. Dieses System verhindert ein unbeabsichtigtes Einschalten des Werkzeugs.

### Einschalten

- ◆ Drücken Sie die Einschaltsperrleiste (2) mit dem Daumen nach hinten und drücken Sie gleichzeitig auf den Ein-/Ausschalter (1).
- ◆ Lassen Sie die Einschaltsperrleiste los.

### Ausschalten

- ◆ Lassen Sie den Ein-/Ausschalter (1) los.

**Achtung!** Versuchen Sie niemals, den Einschalthebel in eingeschalteten Zustand zu verriegeln.

## Hinweise für optimale Arbeitsergebnisse

### Allgemeines

- ◆ Um optimale Schnittergebnisse zu erzielen, schneiden Sie nur trockenes Gras.

### Trimmen

- ◆ Halten Sie das Werkzeug gemäß Abb. C.
- ◆ Schwenken Sie den Trimmer gleichmäßig von einer Seite zur anderen.
- ◆ Bei langem Gras arbeiten Sie stufenweise in kleinen Schritten von oben nach unten. Führen Sie kleine Schnitte aus.
- ◆ Halten Sie das Werkzeug von harten Gegenständen und empfindlichen Pflanzen fern.
- ◆ Falls das Werkzeug beginnt, langsam zu laufen, verringern Sie die Belastung.

### Kantenschneiden

Optimale Schnittergebnisse erhalten Sie bei Kanten mit einer Tiefe von mindestens 50 mm.

- ◆ Verwenden Sie das Werkzeug nicht zum Bilden neuer Kanten. Verwenden Sie zum Bilden von Kanten einen Kantenspaten.
- ◆ Führen Sie das Werkzeug gemäß Abb. D.
- ◆ Um einen kürzeren Schnitt zu erzielen, neigen Sie das Werkzeug ein wenig.

## Anbringen einer neuen Fadenspule (Abb. G)

Neue Spulen mit Schneidfaden sind bei Ihrem Black & Decker Händler erhältlich (Katalognummer: A6481).

- ◆ Halten Sie die Zungen (17) gedrückt und entfernen Sie den Spulendeckel (18) vom Gehäuse (12).
- ◆ Entfernen Sie die leere Spule (19) aus dem Spulengehäuse.
- ◆ Entfernen Sie Schmutzreste und Gras vom Spulendeckel und aus dem Gehäuse.



- ◆ Nehmen Sie die neue Spule und wickeln Sie zirka 9 cm Schneidfaden von der Spule ab.
- ◆ Führen Sie den Schneidfaden durch die Öse (20).
- ◆ Drücken Sie die Spule auf die Antriebswelle (21) und drehen Sie die Spule etwas, bis sie richtig sitzt. Vergewissern Sie sich, daß der Schneidfaden sich nicht unter der Spule verfängt, und daß 9 cm Schneidfaden aus dem Spulengehäuse hervorstehen.
- ◆ Richten Sie die Zungen am Spulendeckel mit den entsprechenden Löchern im Gehäuse aus.
- ◆ Drücken Sie den Deckel auf das Gehäuse, bis er sicher einrastet.

**Achtung!** Falls die Schneidfäden aus dem Faden-Kappmesser (13) herausragen, schneiden Sie die Fäden ab, so daß sie gerade bis zum Faden-Kappmesser reichen.

### Aufwickeln eines neuen Fadens auf eine leere Spule (Abb. H & I)

Neue Spulen mit Schneidfaden sind bei Ihrem Black & Decker Händler erhältlich (Katalognummer: A6170 (25 m) & A6171 (40 m)).

- ◆ Entfernen Sie die leere Spule gemäß Beschreibung oben.
- ◆ Entfernen Sie etwaige Fadenreste von der Spule.
- ◆ Führen Sie 2 cm Schneidfaden wie abgebildet in eines der Löcher (22) in der Spule.
- ◆ Knicken Sie den Schneidfaden um und befestigen ihn im L-förmigen Schlitz (23).
- ◆ Wickeln Sie den Schneidfaden in Pfeilrichtung (24) auf die Spule auf. Achten Sie darauf, daß Sie den Faden sauber und in Schichten aufwickeln. Vermeiden Sie ein kreuzweises Aufwickeln.
- ◆ Wenn der aufgewickelte Faden die Aussparungen (25) erreicht, schneiden Sie ihn ab. Wickeln Sie zirka 9 cm Faden von der Spule ab und halten Sie einen Finger auf den Faden, um ihn in seiner Lage zu halten.
- ◆ Um die Spule am Werkzeug anzubringen, gehen Sie wie oben beschrieben vor.

**Achtung!** Verwenden Sie ausschließlich Black & Decker Schneidfaden des richtigen Typs. Achten Sie darauf, daß auf beiden Teilen der Spule Schneidfaden vorhanden ist.

### Aufbewahrung

Auch wenn das Werkzeug mehrere Monate lang nicht verwendet wird, lassen Sie es am besten am Ladegerät angeschlossen. Falls dies nicht möglich ist, gehen Sie folgendermaßen vor:

- ◆ Laden Sie den Akku vollständig.
- ◆ Verstauen Sie das Werkzeug an einem sicheren und trockenen Ort. Die Lagertemperatur muß immer im Bereich zwischen +5 °C bis +40 °C liegen.
- ◆ Bevor Sie das Werkzeug nach längerer Aufbewahrung wieder verwenden, laden Sie den Akku wieder vollständig auf.

### Störungsbehebung

Falls Ihr Werkzeug nicht ordnungsgemäß funktioniert, befolgen Sie folgende Hinweise. Falls die Störung damit nicht behoben wird, wenden Sie sich bitte an den Black & Decker Kundendienst.

**Achtung!** Vermeiden Sie ein versehentliches Einschalten des Werkzeugs.

### Das Werkzeug läuft nur langsam.

- ◆ Überprüfen Sie, ob sich das Spulengehäuse frei drehen kann. Reinigen Sie es gegebenenfalls sorgfältig.
- ◆ Vergewissern Sie sich, daß die Länge des aus dem Spulengehäuse hervorstehenden Schneidfadens 11 cm nicht überschreitet. Falls doch, dann schneiden Sie den Faden ab, so daß er gerade das Faden-Kappmesser erreicht.

### Die automatische Fadenzufuhr funktioniert nicht.

- ◆ Halten Sie die Zungen gedrückt und nehmen Sie den Spulendeckel vom Gehäuse.
- ◆ Ziehen Sie am Schneidfaden, bis er 11 cm aus dem Spulengehäuse hervorsteht. Falls der Schneidfaden auf der Spule nicht mehr ausreicht, setzen Sie wie oben beschrieben eine neue Fadenspule ein.
- ◆ Richten Sie die Zungen am Spulendeckel mit den Aussparungen im Gehäuse aus.
- ◆ Drücken Sie den Deckel auf das Gehäuse, bis er sicher einrastet.
- ◆ Falls der Schneidfaden über das Faden-Kappmesser hinaus hervorsteht, schneiden Sie den Faden ab, so daß er gerade bis zum Faden-Kappmesser reicht.

Falls die automatische Fadenzufuhr immer noch nicht funktioniert oder die Spule klemmt, versuchen Sie folgendes:

- ◆ Reinigen Sie sorgfältig den Spulendeckel und das Spulengehäuse.
- ◆ Entfernen Sie die Spule und überprüfen Sie, ob sich der Hebel frei bewegen kann.
- ◆ Entfernen Sie die Spule und wickeln Sie den Faden ab. Wickeln Sie den Faden dann wie oben beschrieben wieder sauber auf. Bringen Sie die Spule wieder wie beschrieben an.

### Wartung

Ihr netz- oder akkubetriebenes Black & Decker Gerät/ Werkzeug wurde im Hinblick auf eine lange Lebensdauer und einen möglichst geringen Wartungsaufwand entwickelt. Ein dauerhafter, einwandfreier Betrieb setzt eine regelmäßige Pflege und Reinigung voraus.

**Achtung!** Vor der Durchführung von Wartungsarbeiten an Elektrogeräten/-werkzeugen mit oder ohne Netzleitung:

- ◆ Schalten Sie das Gerät/Werkzeug aus und ziehen Sie den Netzstecker.

- ◆ Oder schalten Sie das Gerät aus und entfernen Sie den Akku aus dem Gerät/Werkzeug, falls das Gerät/Werkzeug einen eigenen Akku hat.
- ◆ Oder lassen Sie den Akku vollkommen leerlaufen, falls dieser im Gerät eingebaut ist. Schalten Sie das Gerät dann aus.
- ◆ Ziehen Sie den Netzstecker des Ladegeräts aus der Steckdose, bevor Sie es reinigen. Ihr Ladegerät bedarf keinerlei Wartung außer einer regelmäßigen Reinigung.
- ◆ Reinigen Sie regelmäßig die Lüftungsschlitze im Gerät/Werkzeug/Ladegerät mit Hilfe einer weichen Bürste oder eines trockenen Lappens.
- ◆ Reinigen Sie regelmäßig das Motorgehäuse mit Hilfe eines feuchten Lappens. Verwenden Sie keine scheuernden Reinigungsmittel oder Reinigungsmittel auf Lösungsmittelbasis.
- ◆ Reinigen Sie regelmäßig das Spannfutter (falls angebracht), indem Sie es öffnen und durch leichtes Klopfen den Staub aus dem Inneren entfernen.

Die Adresse der zuständigen Black & Decker Vertretung steht in diesem Handbuch, darüber läßt sich die nächstgelegene Vertragswerkstatt ermitteln. Außerdem ist eine Liste der Vertragswerkstätten und aller Kundendienststellen von Black & Decker sowie der zuständigen Ansprechpartner im Internet zu finden unter: [www.2helpU.com](http://www.2helpU.com)

## Akkus



Entsorgen Sie verbrauchte Akkus auf umweltgerechte Weise.

- ◆ Vermeiden Sie ein Kurzschließen der Akkuanschlüsse.
- ◆ Werfen Sie den Akku (die Akkus) nicht ins Feuer, da dies zu Personenverletzungen oder einer Explosion führen kann.
- ◆ Entladen Sie den Akku vollständig und entfernen Sie ihn anschließend aus dem Werkzeug.
- ◆ Akkus sind recycelbar. Legen Sie den Akku (die Akkus) in eine geeignete Verpackung, um sicherzustellen, daß die Anschlüsse nicht kurzgeschlossen werden können. Bringen Sie Akkus zu einer Vertragswerkstatt oder einer Recycling-Station in Ihrer Nähe.

## Umweltschutz



Getrennte Entsorgung. Dieses Produkt darf nicht über den normalen Hausmüll entsorgt werden.

Sollte Ihr Black & Decker Produkt eines Tages erneuert werden müssen, oder falls Sie es nicht weiter verwenden wollen, so darf es nicht über den Hausmüll entsorgt werden. Stellen Sie dieses Produkt zur getrennten Entsorgung bereit.



Durch die getrennte Entsorgung gebrauchter Produkte und Verpackungen können die Materialien recycelt und wiederverwertet werden.

Die Wiederverwertung recycelter Materialien schont die Umwelt und verringert die Nachfrage nach Rohstoffen.

Die regionalen Bestimmungen schreiben unter Umständen die getrennte Entsorgung elektrischer Produkte aus dem Haushalt an Sammelstellen oder seitens des Händlers vor, bei dem Sie das neue Produkt erworben haben.

Black & Decker nimmt Ihre ausgedienten Black & Decker Geräte gern zurück und sorgt für eine umweltfreundliche Entsorgung und Wiederverwertung. Um diesen Dienst zu nutzen, schicken Sie bitte Ihr Produkt zu einer Vertragswerkstatt. Hier wird es dann auf unsere Kosten gesammelt.

## Technische Daten

GLC13 H2	
Spannung	V <sub>DC</sub> 12
Leerlaufdrehzahl	min <sup>-1</sup> 7.500
Gewicht	kg 3,2
Gewichteter Hand-/Arm-Vibrationswert nach EN 786: < 2,5	

**EG-Konformitätserklärung**

MASCHINENRICHTLINIE  
 AUSSENLÄRM-RICHTLINIE



GLC13

Black & Decker erklärt, daß diese unter "Technische Daten" beschriebenen Produkte folgende Richtlinien erfüllen:

98/37/EG (bis 28. Dez. 2009), 2006/42/EG  
 (ab 29. Dez. 2009), 2004/108/EG, EN 60335-1, EN  
 60335-2-91

2000/14/EG, Rasenmäher, L ≤ 50 cm, Anhang VIII

KEMA Quality B.V., Utrechtseweg 310, 6802 ED Arnhem,  
 Niederlande  
 Notified Body ID No.: 0344

Schalleistungsstärke gemäß 2000/14/EG (Artikel 12,  
 Anhang VIII, L ≤ 50 cm):

$L_{WA}$  (gemessene Schalleistung) 92 dB(A)

$L_{WA}$  (garantierte Schalleistung) 94 dB(A)

Wenden Sie sich für weitere Informationen bitte an folgende  
 Black & Decker Anschrift bzw. an die hinten im Handbuch  
 angegebene Anschrift.

Der Unterzeichnete ist für die Zusammenstellung der  
 technischen Datei verantwortlich und gibt diese Erklärung im  
 Namen von Black & Decker ab.

Kevin Hewitt  
 Vice-President Global Engineering  
 Black & Decker Europe, 210 Bath Road, Slough,  
 Berkshire, SL1 3YD  
 Vereinigtes Königreich  
 10-12-2009

Tritt innerhalb von 24 Monaten ab Kaufdatum an einem Gerät von Black & Decker ein auf Material- oder Verarbeitungsfehler zurückzuführender Mangel auf, garantiert Black & Decker den Austausch defekter Teile, die Reparatur von Geräten mit üblichem Verschleiß bzw. den Austausch eines mangelhaften Geräts, ohne den Kunden dabei mehr als unbedingt nötig in Anspruch zu nehmen, allerdings vorbehaltlich folgender Ausnahmen:

- ◆ wenn das Gerät gewerblich, beruflich oder im Verleihgeschäft benutzt wurde;
- ◆ wenn das Gerät mißbräuchlich verwendet oder mit mangelnder Sorgfalt behandelt wurde;
- ◆ wenn das Gerät durch irgendwelche Fremdeinwirkung beschädigt wurde;
- ◆ wenn ein unbefugter Reparaturversuch durch anderes Personal als das einer Vertragswerkstatt oder des Black & Decker-Kundendienstes unternommen wurde.

Zur Inanspruchnahme dieser Garantie ist dem Verkäufer bzw. der Vertragswerkstatt ein Kaufnachweis vorzulegen. Der Kaufnachweis muß Kaufdatum und Gerätetyp bescheinigen. Die Adresse des zuständigen Büros von Black & Decker steht in dieser Anleitung, darüber läßt sich die nächstgelegene Vertragswerkstatt ermitteln. Außerdem ist eine Liste der Vertragswerkstätten und aller Kundendienststellen von Black & Decker sowie der zuständigen Ansprechpartner im Internet zu finden unter: **www.2helpU.com**

Bitte besuchen Sie unsere Webseite **www.blackanddecker.de**, um Ihr neues Black & Decker Produkt zu registrieren und über neue Produkte und Sonderangebote aktuell informiert zu werden. Weitere Informationen über die Marke Black & Decker und unsere Produkte finden Sie unter **www.blackanddecker.de**

**Garantie**

Black & Decker vertraut auf die Qualität der eigenen Geräte und bietet dem Käufer eine außergewöhnliche Garantie. Diese Garantiezusage versteht sich unbeschadet der gesetzlichen Gewährleistungsansprüche und schränkt diese keinesfalls ein. Sie gilt in sämtlichen Mitgliedsstaaten der Europäischen Union und der Europäischen Freihandelszone EFTA.

## Utilisation prévue

Votre coupe bordures Black & Decker a été conçu pour tailler et arranger les bordures de pelouse et pour couper l'herbe dans des espaces réduits. Cet appareil est réservé à un usage domestique.

Votre chargeur Black & Decker a été conçu pour recharger la batterie de l'outil avec lequel il vous a été fourni.

## Instructions de sécurité

### Avertissements généraux de sécurité pour les appareils



**Attention !** Lors de l'utilisation d'appareils électriques/sans fil, observez les consignes de sécurité fondamentales, y compris celles qui suivent, afin de réduire les risques d'incendie, de décharges électriques, de blessures et de dommages matériels.

- ◆ Lisez attentivement ce manuel avant d'utiliser l'appareil.
- ◆ Ce manuel décrit l'utilisation prévue. Une utilisation de l'appareil autre que celles prévues dans le présent manuel ou l'utilisation d'accessoires autres que ceux recommandés dans le présent manuel peut présenter un risque de blessure.

**Conservez tous les avertissements et instructions pour référence future.** Le terme "appareil" dans les avertissements fait référence à votre appareil alimenté par le secteur (avec cordon d'alimentation) ou votre appareil fonctionnant sur batterie (sans cordon d'alimentation).

### Utilisation de votre appareil

Utilisez toujours cet appareil avec précaution.

- ◆ Maintenez la zone de travail propre et bien éclairée. Un lieu de travail en désordre ou mal éclairé augmente le risque d'accidents.
- ◆ Utilisez l'appareil uniquement à la lumière du jour ou sous un éclairage artificiel efficace.
- ◆ N'utilisez pas votre appareil dans un environnement explosible, ainsi en présence de gaz, poussières ou liquides inflammables.
- ◆ Ne laissez jamais aucun enfant ou aucune personne non familiarisée avec les instructions utiliser cet appareil.
- ◆ Ne laissez pas les enfants ou les animaux s'approcher de l'aire de travail voire toucher le cordon d'alimentation de l'appareil.
- ◆ Maintenez les enfants, les passants et les animaux à l'écart lorsque vous utilisez l'appareil. Une distraction peut vous faire perdre le contrôle.
- ◆ L'appareil ne saurait être utilisé comme un jouet.
- ◆ N'immergez pas l'appareil dans l'eau.

- ◆ N'ouvrez pas le boîtier principal. Il ne contient aucune pièce susceptible d'être réparée.

### Sécurité personnelle

- ◆ Restez vigilant et soyez conscient de vos actions. Faites preuve de bon sens pour utiliser l'appareil. N'utilisez pas l'appareil lorsque vous êtes fatigué ou après avoir consommé de l'alcool, des drogues voire des médicaments. Un moment d'inattention lors de l'utilisation de l'appareil peut entraîner de graves blessures.
- ◆ S'il s'avère nécessaire, utilisez un équipement de protection personnelle. Les équipements de protection personnelle tels que les protections oculaires, masques anti-poussières, chaussures de sécurité antidérapantes, casques ou protections auditives utilisés dans des conditions appropriées réduisent les risques de blessure.
- ◆ Évitez toute mise en marche involontaire. Vérifiez que l'interrupteur est en position arrêt avant de brancher l'appareil au secteur ou au pack-batterie, de le prendre ou de le porter. Transporter les appareils avec le doigt sur l'interrupteur ou les brancher avec l'interrupteur en position de marche est une source d'accidents.
- ◆ Ne vous penchez pas trop. Adoptez une position stable et gardez votre équilibre à tout moment. Vous contrôlerez mieux l'appareil dans des situations inattendues.
- ◆ Portez des vêtements appropriés. Ne portez pas de vêtements flottants ou de bijoux. N'approchez pas les cheveux, vêtements ou gants des pièces mobiles. Les vêtements amples, bijoux ou cheveux longs peuvent être attrapés dans les pièces mobiles.

### Utilisation et entretien de l'appareil

- ◆ Avant d'utiliser l'appareil, vérifiez qu'il n'est pas endommagé et qu'aucune pièce n'est défectueuse. Assurez-vous que les pièces et les boutons ne sont pas endommagés et recherchez tout autre facteur qui pourrait nuire à son fonctionnement.
- ◆ N'utilisez pas l'appareil si le bouton de marche/arrêt ne fonctionne pas. Un appareil qui ne peut plus être contrôlé avec le bouton de marche/arrêt est dangereux et doit être réparé.
- ◆ Déconnectez la prise de la source d'alimentation ou le pack-batterie de l'appareil avant tout réglage, changement d'accessoire voire rangement de l'appareil. Ces mesures de précaution empêchent une mise en marche par mégarde.
- ◆ Le cas échéant, maintenez les outils de coupe aiguisés et propres. Des outils soigneusement entretenus avec des bords tranchants bien aiguisés se coincent moins souvent et peuvent être guidés plus facilement.
- ◆ N'utilisez pas l'appareil si une pièce est endommagée ou défectueuse.
- ◆ Faites réparer ou remplacer toute pièce endommagée par un réparateur agréé.

- ◆ N'essayez jamais d'enlever ou de changer des pièces autres que celles spécifiées dans ce manuel.

### Sécurité électrique

- ◆ La fiche secteur de l'appareil doit s'adapter à la prise de courant. Ne modifiez en aucun cas la fiche. N'utilisez pas de fiches d'adaptateur avec un appareil nécessitant une prise de terre. Les fiches non modifiées et les prises de courant appropriées réduisent le risque d'électrocution.
- ◆ N'exposez pas l'appareil à la pluie ni à l'humidité. L'infiltration d'eau dans un appareil augmente le risque d'électrocution.
- ◆ Préservez le cordon d'alimentation. N'utilisez pas le cordon pour porter l'appareil, le tirer voire le débrancher de la prise de courant. Maintenez le cordon éloigné des sources de chaleur, de l'huile, des bords tranchants et des parties mobiles de l'appareil. Un cordon endommagé ou enchevêtré augmente le risque d'électrocution.
- ◆ Le cas échéant. Si vous utilisez l'appareil à l'extérieur, utilisez une rallonge homologuée pour une utilisation à l'air libre. L'utilisation d'une rallonge électrique homologuée pour les applications extérieures réduit le risque d'électrocution.
- ◆ Si l'usage d'un appareil dans un emplacement humide est inévitable, utilisez une alimentation protégée par un dispositif à courant différentiel résiduel (RCD). L'usage d'un RCD réduit le risque de choc électrique.

### Utilisation et entretien d'un outil sur batterie (appareil sans cordon uniquement)

- ◆ Rechargez uniquement avec le chargeur spécifié par le fabricant. Un chargeur prévu pour un type précis de pack-batterie présente un risque d'incendie s'il est utilisé avec un autre type.
- ◆ Utilisez les appareils uniquement avec les pack-batteries spécifiquement conçus pour eux. L'utilisation d'autres pack-batteries peut comporter un risque de blessures ou d'incendie.
- ◆ Quand vous ne l'utilisez pas, rangez le pack-batterie à l'écart des autres objets métalliques tels que trombones, pièces, clés, clous, vis ou autres pouvant établir une connexion entre deux bornes. Court-circuiter les bornes d'une batterie peut provoquer des brûlures ou un incendie.
- ◆ Dans des conditions inappropriées, la batterie peut rejeter du liquide. Évitez tout contact. En cas de contact accidentel, rincez à l'eau. Si le liquide entre en contact avec les yeux, consultez un médecin. Le liquide rejeté par la batterie peut occasionner une irritation cutanée ou des brûlures.

### Après utilisation

- ◆ S'il n'est pas utilisé, rangez l'appareil dans un endroit sec, bien ventilé et hors de la portée des enfants.
- ◆ Les enfants ne doivent pas pouvoir accéder aux appareils, même rangés.

- ◆ Si l'appareil est rangé ou transporté dans un véhicule, il doit être placé dans le coffre ou fixé afin d'éviter tout mouvement inopiné en cas de changement brusque de direction ou de vitesse.

### Réparations

- ◆ Confiez les réparations de votre appareil uniquement à un personnel qualifié et seulement avec des pièces de rechange d'origine. Vous garantissez ainsi la préservation de la sécurité de votre appareil.

### Instructions de sécurité supplémentaires pour les coupe bordures

Les symboles de prévention suivants se trouvent sur l'outil :



Lisez le manuel avant l'emploi.



Portez des lunettes de sécurité lorsque vous utilisez cet outil.



Les personnes et les animaux doivent se tenir à une distance d'au moins 6 m de la zone de coupe.



N'exposez pas l'outil à la pluie ou à l'humidité.

- ◆ Familiarisez-vous avec les commandes et l'utilisation de cet outil.
- ◆ N'utilisez l'outil qu'à la lumière du jour ou sous un éclairage artificiel efficace.
- ◆ Avant toute utilisation, vérifiez que le câble électrique et sa rallonge ne sont ni endommagés, ni usés. Si un câble est endommagé pendant le travail, débranchez-le immédiatement du secteur. **NE TOUCHEZ PAS LE CÂBLE AVANT D'AVOIR DÉBRANCHÉ LA MACHINE.**
- ◆ N'utilisez pas l'outil lorsque les câbles sont usés ou endommagés.
- ◆ Portez des chaussures ou des bottes renforcées pour protéger vos pieds.
- ◆ Portez un pantalon pour protéger vos jambes.
- ◆ Avant d'utiliser l'outil, vérifiez qu'aucun bâton, fil de fer, pierre ou tout autre obstacle n'obstrue la zone de coupe.
- ◆ Utilisez seulement l'outil en position droite, en tenant le fil de coupe près du sol. N'allumez jamais l'outil dans une autre position.
- ◆ Déplacez-vous lentement lorsque vous utilisez l'outil. Faites attention car l'herbe fraîchement coupée est humide et glissante.
- ◆ Ne travaillez pas sur un sol très pentu. Travaillez de façon perpendiculaire aux pentes et non en montant ou en descendant.

- ◆ Ne traversez jamais de chemins ou de routes en gravier lorsque l'outil fonctionne.
- ◆ Ne touchez jamais le fil de coupe lorsque l'outil fonctionne.
- ◆ Ne posez pas l'outil avant que le fil de coupe ne se soit complètement arrêté.
- ◆ Utilisez uniquement le bon type de fil de coupe. N'utilisez jamais de fil de coupe métallique ni de fil de pêche.
- ◆ Veillez à ne pas toucher la lame coupe-fil.
- ◆ Veillez à ne pas laisser le câble à proximité du fil de coupe. Surveillez toujours la position du câble.
- ◆ Tenez vos mains et vos pieds à distance du fil de coupe à tout moment, et plus particulièrement lorsque vous faites démarrer le moteur.
- ◆ Attention ! Les éléments de coupe continuent de tourner une fois l'outil arrêté.
- ◆ N'utilisez jamais l'outil avec des protections endommagées ou manquantes.
- ◆ Vérifiez toujours que les orifices de ventilation sont bien débarrassés de tous débris.
- ◆ Avant d'utiliser l'appareil et après tout impact, vérifiez qu'il n'est pas endommagé ou usé. Réparez-le au besoin.
- ◆ Attention aux blessures occasionnées par tout dispositif installé pour couper la longueur du fil de coupe. Après avoir tiré sur le fil de coupe, remplacez toujours la machine sur sa position de fonctionnement normale avant de l'allumer.
- ◆ N'utilisez pas le coupe-bordures (débroussaileuse) si les câbles sont usés ou endommagés.
- ◆ Maintenez les rallonges à l'écart des éléments de coupe.
- ◆ Pour la mise au rebut des batteries, suivez les instructions de la section "Protection de l'environnement".
- ◆ N'endommagez et ne déformez pas la batterie (piqûre ou impact). Vous pourriez créer un risque de blessure ou d'incendie.
- ◆ Ne chargez pas les batteries endommagées.
- ◆ Dans des conditions extrêmes, une batterie peut fuir. Si vous remarquez du liquide sur les batteries, essuyez-le soigneusement à l'aide d'un chiffon. Évitez le contact avec la peau.
- ◆ En cas de contact avec la peau ou les yeux, suivez les instructions ci-dessous.

**Attention !** Le liquide de batterie peut causer des blessures ou des dégâts. En cas de contact avec la peau, rincez abondamment à l'eau. En présence de rougeurs, douleurs ou irritations, consultez un médecin. En cas de contact avec les yeux, rincez-les immédiatement à l'eau claire et consultez un médecin.

## Chargeurs

Votre chargeur a été conçu pour une tension spécifique. Vérifiez toujours que la tension du secteur correspond à celle indiquée sur la plaque d'identification.

**Attention !** Ne tentez jamais de remplacer le chargeur par une prise secteur normale.

- ◆ Utilisez uniquement votre chargeur Black & Decker pour charger la batterie fournie avec votre outil ou de même type et modèle. D'autres batteries pourraient exploser et causer des dommages ou blessures.
- ◆ Ne tentez jamais de charger des batteries non rechargeables.
- ◆ Si le câble d'alimentation est endommagé, il doit être remplacé par le fabricant ou par un centre de réparation agréé Black & Decker afin d'éviter tout accident.
- ◆ Ne mettez pas le chargeur en contact avec de l'eau.
- ◆ N'ouvrez pas le chargeur.
- ◆ Ne testez pas le chargeur.
- ◆ Pendant la charge, l'appareil/outil/batterie doit être placé dans une zone bien ventilée.

Les symboles suivants se trouvent sur la batterie :



Risque d'incendie! Évitez tout court-circuit sur les contacts d'une batterie détachée (par ex. en la rangeant dans une boîte à outils).



N'incinerez pas la batterie.

Les symboles suivants se trouvent sur votre chargeur :



Le chargeur a été conçu pour être utilisé uniquement à l'intérieur.

## Sécurité des tiers

- ◆ Cet appareil n'est pas destiné à être utilisé par des personnes (notamment des enfants) présentant des capacités physiques, sensorielles ou mentales limitées voire dépourvues de connaissance et d'expérience, sauf si elles sont supervisées ou ont reçu des instructions pour l'usage de l'appareil par une personne responsable de leur sécurité.
- ◆ Les enfants ne doivent pas jouer avec l'appareil.

## Instructions de sécurité supplémentaires pour les batteries et chargeurs

### Batteries

- ◆ Ne tentez jamais d'ouvrir pour quelque raison que ce soit.
- ◆ N'exposez pas la batterie à l'humidité.
- ◆ Ne rangez pas dans des endroits dont la température peut dépasser 40 °C.
- ◆ Chargez uniquement à une température ambiante entre 10 °C et 40 °C.
- ◆ Chargez uniquement avec le chargeur fourni avec l'outil/appareil. L'utilisation d'un chargeur incorrect peut générer un choc électrique voire une surchauffe de la batterie.

## Étiquettes sur l'appareil

Les symboles de prévention suivants sont indiqués sur l'appareil :



Lisez le manuel avant l'emploi.



Portez des lunettes de sécurité lorsque vous utilisez cet appareil.



Personnes et animaux doivent se trouver à plus de 6 m de la zone de coupe.



N'exposez pas l'appareil à la pluie ou une humidité élevée.

## Sécurité électrique



Votre chargeur est doublement isolé ; par conséquent, aucun câble de masse n'est nécessaire. Vérifiez toujours que la tension du secteur correspond à la tension indiquée sur la plaque d'identification.

- ◆ Si le câble d'alimentation est endommagé, il doit être remplacé par le fabricant ou par un centre de réparation agréé Black & Decker afin d'éviter tout accident.
- ◆ **Attention !** Ne tentez jamais de remplacer le chargeur par une prise au secteur normale.

## Caractéristiques

Cet outil comprend toutes ou certaines des caractéristiques suivantes.

1. Interrupteur marche/arrêt
2. Bouton de blocage
3. Poignée
4. Poignée secondaire
5. Collier de réglage de hauteur
6. Tube
7. Collier de sélection de mode.
8. Tête
9. Guide-bordures
10. Carter de protection
11. Fil de coupe
12. Logement de bobine
13. Lame coupe-fil

## Montage

**Attention !** Faites attention de ne pas démarrer l'outil de façon accidentelle pendant l'assemblage.

## Mise en place du carter de protection (fig. A)

- ◆ Placez le carter de protection (10) sur l'outil selon le schéma.
- ◆ Appuyez fermement sur le carter pour l'enclencher.

- ◆ Fixez le carter de protection avec la vis (14).

**Attention !** N'utilisez jamais l'outil si le carter de protection n'est pas correctement installé.

## Déroulement du fil de coupe.

Durant le travail, le fil de coupe est caché par le logement de bobine.

- ◆ Enlevez le ruban fixant le fil de coupe (11) sur le logement de bobine (12).

## Utilisation

**Attention !** Laissez l'outil fonctionner à sa propre vitesse.

Ne le surchargez pas.

## Charge de la batterie (fig. B)

La batterie a besoin d'être chargée avant la première utilisation et à chaque fois qu'elle ne produit pas une puissance suffisante pour des travaux facilement effectués auparavant. Lorsque vous chargez la batterie pour la première fois ou suite à une inutilisation prolongée, la charge ne dépasse pas 80 %. Après plusieurs cycles de charge et de décharge, la batterie atteindra sa capacité totale. La batterie peut chauffer pendant la charge ; cela est normal et n'indique pas de problème particulier.

- ◆ Insérez la prise du chargeur (15) dans le connecteur du chargeur (16) à l'arrière de l'outil.
- ◆ Branchez le chargeur sur une prise secteur.
- ◆ Mettez sous tension.

La batterie peut rester connectée indéfiniment au chargeur.

- ◆ Lorsque vous voulez utiliser l'outil, prenez le connecteur du chargeur de l'outil et débranchez-le.

Pour maximiser la durée de vie de la batterie, il est recommandé de la maintenir connectée au chargeur dès lors que l'outil n'est pas utilisé. Lorsque la batterie est chargée, la consommation électrique du chargeur est négligeable.

## Réglage de l'outil en mode de taille ou de coupe (fig. C - E)

L'outil peut être utilisé en mode de taille comme indiqué à la fig. C ou en en mode coupe pour tailler de l'herbe en surplomb dans les bordures de pelouse et les parterres de fleurs comme indiqué à la fig. D.

## Mode de taille (fig. C & E)

Pour tailler, la tête du coupe bordures devra être dans la position indiquée à la fig. C. Si ce n'est pas le cas :

- ◆ Tout en tenant la poignée secondaire (4) d'une main, prenez le collier (7) dans l'autre.
- ◆ Poussez le collier en direction de la tête du coupe bordures et faites-le tourner dans le sens antihoraire jusqu'à ce que la tête se trouve en position de taille.
- ◆ Relâchez le collier.
- ◆ Placez le sabot de guidage (9) en position rétractée.

## Mode de coupe (fig. D & E)

Pour couper, la tête du coupe bordures devra être dans la position indiquée à la fig. D. Si ce n'est pas le cas :

- ◆ Tout en tenant la poignée secondaire (4) d'une main, prenez le collier (7) dans l'autre.
- ◆ Poussez le collier en direction de la tête du coupe bordures et faites-le tourner dans le sens horaire jusqu'à ce que la tête se trouve en position de taille.
- ◆ Relâchez le collier.
- ◆ Placez le sabot de guidage (9) en position étendue.

## Réglage de la hauteur de l'outil (fig. F).

Le tube télescopique (6) vous permet de régler l'outil à la hauteur la plus confortable.

- ◆ Dévissez le collier (5).
- ◆ Pour augmenter la hauteur sortez le tube en le faisant glisser.
- ◆ Pour réduire la hauteur, rentrez le tube en le faisant glisser.
- ◆ Serrez le collier.

## Démarrage et arrêt

Pour des raisons de sécurité, cet outil est équipé d'un système d'interrupteur double. Ce système empêche un démarrage involontaire de l'outil.

## Mise sous tension

- ◆ Tirez sur le bouton de déblocage (2) avec le pouce et appuyez en même temps sur le bouton de marche/arrêt (1).
- ◆ Relâchez le bouton de déblocage.

## Mise hors tension

- ◆ Relâchez le bouton de marche/arrêt (1).

**Attention !** N'essayez jamais de bloquer la gâchette en position de marche.

## Conseils pour une utilisation optimale

### Généralités

- ◆ Pour des résultats de coupe optimaux, coupez uniquement de l'herbe sèche.

### Taille

- ◆ Tenez l'outil comme indiqué sur la fig. C.
- ◆ Balancez doucement votre coupe-bordures d'un côté à l'autre.
- ◆ Lorsque vous coupez des herbes hautes, travaillez par étapes en commençant par le haut. Procédez par petites coupes.
- ◆ Veillez à ne pas approcher l'outil des objets durs et des plantes délicates.
- ◆ Si l'outil commence à fonctionner lentement, réduisez la charge.

## Coupe

Pour des résultats de coupe optimaux, les bordures doivent être supérieures à 50 mm.

- ◆ N'utilisez pas l'outil pour créer des bordures. Pour créer des bordures, utilisez une bêche.
- ◆ Tenez l'outil comme indiqué sur la fig. D.
- ◆ Pour une coupe plus nette, inclinez légèrement l'outil.

## Mise en place d'une nouvelle bobine de fil de coupe (fig. G)

Des bobines de fil de coupe de rechange sont disponibles chez votre revendeur Black & Decker (numéro du catalogue: A6481).

- ◆ Maintenez les languettes (17) enfoncées et retirez le couvercle de la bobine (18) du logement (12).
- ◆ Retirez la bobine vide (19) du logement de bobine.
- ◆ Enlevez toute trace de saleté ou d'herbe du couvercle de la bobine et du logement.
- ◆ Prenez la nouvelle bobine et déroulez env. 9 cm de fil de coupe.
- ◆ Faites entrer le fil de coupe dans l'œillet (20).
- ◆ Poussez la bobine sur l'axe d'entraînement (21) et faites-la tourner légèrement jusqu'à ce qu'elle soit bien installée. Assurez-vous que le fil de coupe n'est pas coincé sous la bobine et que 9 cm de fil de coupe dépassent du logement.
- ◆ Alignez les languettes sur le couvercle de la bobine avec les trous du logement.
- ◆ Enfoncez le couvercle sur le logement jusqu'à l'enclencher.

**Attention !** Si les fils de coupe dépassent de la lame de coupe (13), coupez-les afin qu'ils atteignent juste la lame.

## Enroulement d'un nouveau fil sur une bobine vide (fig. H & I)

Des paquets de fil de coupe de rechange sont disponibles chez votre revendeur Black & Decker (numéro du catalogue: A6170 (25 m) & A6171 (40 m)).

- ◆ Retirez la bobine vide de l'outil comme expliqué ci-dessus.
- ◆ Retirez tout fil de coupe restant de la bobine.
- ◆ Faites entrer 2 cm de fil de coupe dans l'un des trous (22) de la bobine comme indiqué.
- ◆ Pliez le fil de coupe et coincez-le dans la fente en forme de L (23).
- ◆ Enroulez le fil de coupe sur la bobine dans le sens de la flèche (24). Veillez à enrouler le fil proprement et en couches successives. Ne l'entrecroisez pas.
- ◆ Lorsque le fil de coupe enroulé est encastré (25), coupez-le. Laissez le fil sortir d'env. 9 cm de la bobine et mettez un doigt dessus pour le maintenir en place.
- ◆ Procédez comme expliqué ci-dessus pour installer la bobine dans l'outil.



**Attention !** Utilisez uniquement le type correct de fil de coupe de Black & Decker. Assurez-vous que le fil de coupe se trouve dans les deux sections de la bobine.

### Rangement

Si l'outil ne doit pas être utilisé pendant plusieurs mois, l'idéal serait de laisser la batterie connectée au chargeur.

Sinon, procédez comme suit :

- ◆ Chargez complètement la batterie.
- ◆ Rangez l'outil dans un endroit sûr et sec. La température dans l'endroit de stockage devra être maintenue entre +5 °C et +40 °C.
- ◆ Avant d'utiliser l'outil après une inutilisation prolongée, rechargez complètement la batterie.

### Dépannage

Si votre outil ne semble pas fonctionner correctement, suivez les instructions ci-dessous. Si vous ne pouvez pas résoudre ainsi le problème, contactez votre service de réparation local Black & Decker.

**Attention !** Faites attention de ne pas démarrer l'outil de façon accidentelle.

### L'outil fonctionne lentement

- ◆ Assurez-vous que le logement de bobine tourne librement. Nettoyez soigneusement si cela est nécessaire.
- ◆ Vérifiez que le fil de coupe ne dépasse pas de plus de 11 cm du logement de bobine. Si c'est le cas, coupez-le pour qu'il atteigne juste la lame coupe-fil.

### L'alimentation automatique du fil ne fonctionne pas

- ◆ Maintenez les languettes enfoncées et retirez le couvercle de bobine hors du logement.
- ◆ Tirez le fil de coupe pour qu'il dépasse de 11 cm du logement. S'il reste peu de fil de coupe sur la bobine, installez une nouvelle bobine de fil de coupe comme expliqué ci-dessus.
- ◆ Alignez les languettes sur le couvercle de la bobine avec les échancrures dans le logement.
- ◆ Enfoncez le couvercle sur le logement jusqu'à l'endecher.
- ◆ Si le fil de coupe dépasse la lame coupe-fil, coupez-le afin qu'il atteigne juste la lame.

Si l'alimentation automatique de fil ne fonctionne toujours pas ou si la bobine est bloquée, essayez les suggestions suivantes :

- ◆ Nettoyez soigneusement le couvercle de la bobine et le logement.
- ◆ Retirez la bobine et vérifiez que la gâchette bouge librement.
- ◆ Retirez la bobine et déroulez le fil de coupe, puis enroulez-le à nouveau proprement comme expliqué ci-dessus. Remplacez la bobine comme indiqué.

### Entretien

Votre appareil/outil Black & Decker avec/sans fil a été conçu pour fonctionner pendant longtemps avec un minimum d'entretien. Un fonctionnement continu satisfaisant dépend d'un nettoyage régulier et d'un entretien approprié de l'outil.

**Attention !** Avant toute activité d'entretien sur les outils électriques avec/sans fil :

- ◆ Eteignez et débranchez l'appareil/l'outil.
- ◆ Ou coupez et retirez la batterie de l'appareil/outil s'il comporte un pack-batterie séparé.
- ◆ Voir épuisez complètement la batterie si elle est intégrée puis mettez hors tension.
- ◆ Débranchez le chargeur avant de le nettoyer. Votre chargeur ne nécessite aucun autre entretien qu'un nettoyage régulier.
- ◆ Nettoyez régulièrement les fentes de ventilation de votre outil/appareil/chargeur à l'aide d'une brosse douce ou d'un chiffon sec.
- ◆ Nettoyez régulièrement le carter moteur à l'aide d'un chiffon humide. N'utilisez pas de produit abrasif ou à base de solvant.
- ◆ Ouvrez régulièrement le mandrin (le cas échéant) et tapotez dessus pour retirer toute poussière à l'intérieur.

### Protection de l'environnement



Collecte séparée. Ce produit ne doit pas être jeté avec les déchets domestiques normaux.

Si vous décidez de remplacer ce produit Black & Decker, ou si vous n'en avez plus l'utilité, ne le jetez pas avec vos déchets domestiques. Rendez-le disponible pour une collecte séparée.



La collecte séparée des produits et emballages usés permet le recyclage des articles afin de les utiliser à nouveau. Le fait d'utiliser à nouveau des produits recyclés permet d'éviter la pollution environnementale et de réduire la demande de matières premières.

Les réglementations locales peuvent permettre la collecte séparée des produits électriques du foyer, dans des déchetteries municipales ou auprès du revendeur vous ayant vendu votre nouveau produit.

Black & Decker fournit un dispositif permettant de collecter et de recycler les produits Black & Decker lorsqu'ils ont atteint la fin de leur cycle de vie. Pour pouvoir profiter de ce service, veuillez retourner votre produit à un réparateur agréé qui se chargera de le collecter pour nous.

Pour connaître l'adresse du réparateur agréé le plus proche de chez vous, contactez le bureau Black & Decker à l'adresse indiquée dans ce manuel. Vous pourrez aussi trouver une liste des réparateurs agréés de Black & Decker et de plus amples détails sur notre service après-vente sur le site Internet à l'adresse suivante : [www.2helpU.com](http://www.2helpU.com)

## Batteries



A la fin de leur durée de vie technique, mettez les batteries au rebut en respectant l'environnement.

- ◆ Évitez de provoquer un court-circuit entre les bornes de batterie.
- ◆ Ne jetez pas la ou les batteries au feu au risque de blessures voire d'explosion.
- ◆ Videz complètement la batterie puis retirez-la de l'outil.
- ◆ Les batteries sont recyclables. Placez la ou les batteries dans un emballage adapté pour éviter toute possibilité d'un court-circuit entre les bornes. Apportez-les à votre réparateur agréé ou à un centre de recyclage local.

## Caractéristiques techniques

	GLC13 H2	
Voltage	V <sub>DC</sub>	12
Vitesse à vide	min <sup>-1</sup>	7.500
Poids	kg	3,2

Vibration pondérée sur main/bras selon la norme EN 786: < 2,5

## Déclaration de conformité CE

DIRECTIVE MACHINES  
DIRECTIVE BRUIT DANS L'ENVIRONNEMENT



GLC13

Black & Decker déclare que ces produits décrits sous les "caractéristiques techniques" sont conformes avec : 98/37/CE (jusqu'au 28 déc. 2009), 2006/42/CE (à compter du 29 déc. 2009), 2004/108/CE, EN 60335-1, EN 60335-2-91

2000/14/CE, Tondeuse à gazon, L ≤ 50 cm, Annexe VIII

KEMA Quality B.V., Utrechtseweg 310, 6802 ED Arnhem,  
Pays-Bas  
Notified Body ID No.: 0344

Niveau de pression acoustique conforme à la norme 2000/14/CE (Article 12, Annexe VIII, L ≤ 50 cm) :

L<sub>WA</sub> (pression sonore mesurée) 92 dB(A)

L<sub>WA</sub> (pression sonore garantie) 94 dB(A)

Pour en savoir plus, veuillez contacter Black & Decker à l'adresse suivante ou consultez le dos du manuel.

Le soussigné est responsable de la compilation du fichier technique et effectue cette déclaration au nom de Black & Decker.

Kevin Hewitt  
Vice-président Ingénierie globale  
Black & Decker Europe, 210 Bath Road, Slough,  
Berkshire, SL1 3YD  
Royaume Uni  
10-12-2009

## Garantie

Black & Decker est confiant dans la qualité de ses produits et vous offre une garantie très étendue. Ce certificat de garantie est un document supplémentaire et ne peut en aucun cas se substituer à vos droits légaux. La garantie est valable sur tout le territoire des Etats Membres de l'Union Européenne et de la Zone de Libre Echange Européenne.

Si un produit Black & Decker s'avère défectueux en raison de matériaux en mauvaises conditions, d'une erreur humaine, ou d'un manque de conformité dans les 24 mois suivant la date d'achat, Black & Decker garantit le remplacement des pièces défectueuses, la réparation des produits usés ou cassés ou remplace ces produits à la convenance du client, sauf dans les circonstances suivantes :

- ◆ Le produit a été utilisé dans un but commercial, professionnel, ou a été loué.
- ◆ Le produit a été mal utilisé ou avec négligence.
- ◆ Le produit a subi des dommages à cause d'objets étrangers, de substances ou à cause d'accidents.
- ◆ Des réparations ont été tentées par des techniciens ne faisant pas partie du service technique de Black & Decker.

Pour avoir recours à la garantie, il est nécessaire de fournir une preuve d'achat au vendeur ou à un réparateur agréé.

Pour connaître l'adresse du réparateur agréé le plus proche de chez vous, contactez le bureau Black & Decker à l'adresse indiquée dans ce manuel. Vous pourrez aussi trouver une liste des réparateurs agréés de Black & Decker et de plus amples détails sur notre service après-vente sur le site Internet à l'adresse suivante : **[www.2helpU.com](http://www.2helpU.com)**

Visitez notre site Web **[www.blackanddecker.fr](http://www.blackanddecker.fr)** pour enregistrer votre nouveau produit Black & Decker et être informé des nouveaux produits et des offres spéciales. Pour plus d'informations concernant la marque Black & Decker et notre gamme de produits, consultez notre site **[www.blackanddecker.fr](http://www.blackanddecker.fr)**

## Uso previsto

Il tosaerba Black & Decker è stato progettato per tosare e rifinire i cigli dei prati e per tagliare l'erba in spazi ristretti. Questo elettroutensile è destinato esclusivamente all'uso non professionale.

Il caricabatterie Black & Decker è stato progettato per caricare la batteria dell'utensile con il quale viene fornito in dotazione.

## Precauzioni di sicurezza

### Avvisi generali di sicurezza per l'elettroutensile



**Attenzione!** Quando si utilizzano elettroutensili con filo o a batteria, per ridurre il rischio di incendio, scosse elettriche, infortuni alle persone e danni materiali è necessario seguire sempre delle precauzioni di sicurezza basilari, incluso le seguenti.

- ◆ Prima di adoperare l'elettroutensile, leggere attentamente le istruzioni fornite nel presente manuale.
- ◆ L'utilizzo previsto è quello descritto in questo manuale. L'uso di accessori o attrezzature diversi o l'uso di questo elettroutensile per scopi diversi da quelli indicati nel presente manuale comportano il rischio di infortuni.

**Conservare tutte gli avvisi e le istruzioni per consultazioni future.** Il termine "elettroutensile" che ricorre negli avvisi si riferisce a elettroutensili alimentati dalla rete elettrica (con cavo) o a batteria (senza cavo).

### Uso dell'elettroutensile

Fare sempre attenzione durante l'utilizzo dell'elettroutensile.

- ◆ Mantenere pulita e bene illuminata l'area di lavoro. Il disordine o la scarsa illuminazione possono causare incidenti.
- ◆ Usare l'elettroutensile solo alla luce naturale oppure con una buona illuminazione artificiale.
- ◆ Evitare di utilizzare l'elettroutensile in ambienti esposti al rischio di esplosione, ad esempio in presenza di liquidi, gas o polveri infiammabili.
- ◆ Vietare l'uso dell'elettroutensile ai bambini e agli adulti che non abbiano letto il presente manuale d'istruzioni.
- ◆ Vietare a bambini o ad animali di avvicinarsi all'area di lavoro o di toccare il cavo di alimentazione.
- ◆ Durante l'uso dell'elettroutensile tenere bambini, astanti e animali a distanza. Eventuali distrazioni possono comportare la perdita di controllo dell'elettroutensile.
- ◆ Non utilizzare l'elettroutensile come giocattolo.
- ◆ Non immergere l'elettroutensile in acqua.
- ◆ Non aprire l'involucro del corpo. All'interno non sono presenti componenti riparabili.

### Sicurezza delle persone

- ◆ È importante porre attenzione, concentrarsi su ciò che si sta facendo e maneggiare con giudizio l'elettroutensile. Non adoperare l'elettroutensile se si è stanchi o sotto l'effetto di stupefacenti, alcol o medicinali. Un attimo di distrazione durante l'uso dell'elettroutensile può causare gravi infortuni personali.
- ◆ Laddove necessario, utilizzare l'equipaggiamento protettivo. Indossando un equipaggiamento protettivo, ad esempio: protezione per gli occhi, maschera antipolvere, calzature di sicurezza con suola antiscivolo, casco e protezioni per l'udito, in condizioni adeguate, si riduce il rischio di lesioni personali.
- ◆ Evitare l'accensione involontaria dell'elettroutensile. Verificare che l'interruttore di accensione sia posizionato su off prima di collegare il cavo di alimentazione o la batteria, di sollevare o trasportare l'elettroutensile. Trasportare gli elettroutensili con il dito sull'interruttore di accensione o collegare all'alimentazione elettroutensili con l'interruttore posizionato su on, favorisce il verificarsi di incidenti.
- ◆ Non sporgersi. Mantenere sempre un buon equilibrio evitando posizioni malsicure. In questo modo è possibile controllare meglio l'elettroutensile in situazioni inaspettate.
- ◆ Vestirsi adeguatamente. Evitare di indossare indumenti larghi o gioielli. Tenere capelli, vestiti e guanti lontani dalle parti in movimento. Vestiti larghi, gioielli o capelli lunghi possono impigliarsi nei componenti in movimento.

### Uso e cura dell'elettroutensile

- ◆ Prima dell'uso, verificare che non vi siano componenti danneggiati o difettosi. Verificare anche che non vi siano parti rotte, che gli interruttori non siano danneggiati e che non vi sia nulla che comprometta il funzionamento.
- ◆ Non usare l'elettroutensile se non è possibile accenderlo e spegnerlo mediante l'interruttore. Un elettroutensile non controllabile mediante l'interruttore è pericoloso e deve essere riparato.
- ◆ Scollegare la spina dalla presa e/o estrarre la batteria dagli elettroutensili prima di eseguire regolazioni, di sostituire gli accessori o di riporre gli elettroutensili. Queste misure di sicurezza preventive riducono il rischio che l'elettroutensile venga messo in funzione accidentalmente.
- ◆ Laddove applicabile, mantenere affilati e puliti gli utensili da taglio. Se sottoposti alla corretta manutenzione, gli utensili da taglio con taglienti affilati s'inceppano meno frequentemente e sono più facili da manovrare.
- ◆ Non usare l'elettroutensile se sono presenti elementi danneggiati o difettosi.
- ◆ Eventuali componenti difettosi o danneggiati devono essere sostituiti o riparati da un tecnico autorizzato.
- ◆ Non tentare mai di smontare o sostituire componenti diversi da quelli indicati nel presente manuale.

## Sicurezza elettrica

- ◆ La spina di alimentazione dell'elettrotensile deve essere adatta alla presa. Evitare assolutamente di alterare la spina. Non impiegare spine adattatrici con elettrotensili provvisti di messa a terra. L'uso di spine inalterate e corrispondenti alle prese della rete domestica riduce il rischio di scosse elettriche.
- ◆ Non esporre l'elettrotensile all'azione della pioggia o dell'umidità. L'eventuale infiltrazione di acqua nell'elettrotensile aumenta il rischio di scosse elettriche.
- ◆ Non esporre il cavo a sollecitazioni. Non usare mai il cavo per trasportare o trainare l'elettrotensile e non tirarlo per estrarre la spina dalla presa di corrente. Mantenere il cavo a distanza da fonti di calore, olio, bordi taglienti e/o parti in movimento. I cavi elettrici danneggiati o aggrovigliati aumentano il rischio di scosse elettriche.
- ◆ Laddove appropriato. Se l'elettrotensile viene adoperato all'aperto, usare esclusivamente prolunghie omologate per l'impiego all'esterno. Un cavo adatto per impieghi all'esterno riduce il rischio di scosse elettriche.
- ◆ Se l'uso di un elettrotensile in un ambiente umido è inevitabile, utilizzare una fonte di alimentazione dotata di un dispositivo di protezione da correnti residue (RCD). L'uso di un RCD riduce il rischio di scosse elettriche.

## Uso e cura degli utensili a batteria (solo utensili senza cavo)

- ◆ Ricaricare la batteria esclusivamente con il caricabatterie specificato dal fabbricante. Un caricabatterie adatto per un tipo di batteria può esporre al rischio d'incendio se usato con una batteria diversa.
- ◆ Utilizzare gli elettrotensili solo con le batterie indicate. L'uso di batterie diverse può esporre al rischio di infortuni e incendi.
- ◆ Quando non è in uso, la batteria deve essere conservata lontana da oggetti metallici come graffette, monete, chiavi, chiodi, viti o altre minuterie in metallo che possono creare contatto tra i poli. Il cortocircuito dei poli di una batteria può causare ustioni o incendi.
- ◆ In condizioni di sovraccarico, le batterie possono perdere liquido: evitare di toccarlo. In caso di contatto accidentale, sciacquare con acqua. Se il liquido entra a contatto con gli occhi, rivolgersi ad un medico. Il liquido che fuoriesce dalle batterie può causare irritazioni o ustioni.

## Dopo l'uso

- ◆ Quando non è in uso, l'elettrotensile deve essere riposto in un luogo asciutto e ben ventilato, fuori dalla portata dei bambini.
- ◆ I bambini non devono avere accesso agli elettrotensili riposti.

- ◆ Quando l'elettrotensile è riposto o trasportato su un veicolo, deve essere appoggiato sulla scarpa o fissato in modo da evitare spostamenti dovuti agli improvvisi cambi di velocità o direzione.

## Riparazioni

- ◆ Fare riparare l'elettrotensile solo da personale specializzato e solo impiegando parti di ricambio originali. Ciò permetterà di conservare le condizioni di sicurezza dell'elettrotensile.

## Istruzioni supplementari di sicurezza per il tosaerba

I seguenti simboli di avvertenza si trovano sull'elettrotensile:



Prima dell'uso leggere il presente manuale.



Indossare sempre occhiali di protezione quando si utilizza questo elettrotensile.



Non consentire a persone o animali di avvicinarsi a meno di 6 m dall'area di taglio.



Non esporre l'elettrotensile a pioggia o a condizioni di alta umidità.

- ◆ Familiarizzarsi con i comandi e l'uso corretto dell'elettrotensile.
- ◆ Adoperarlo solo alla luce naturale oppure con una buona illuminazione artificiale.
- ◆ Prima dell'uso, controllare che il cavo di alimentazione e la prolunga non presentino segni di danni, invecchiamento e usura. Se un cavo si danneggia durante l'uso, disinserire immediatamente la spina dell'apparecchio dalla presa di corrente. **NON TOCCARE IL CAVO PRIMA DI SCOLLEGARE L'ALIMENTAZIONE.**
- ◆ Non usare l'elettrotensile se il cavo di alimentazione è usurato o danneggiato.
- ◆ Indossare scarpe robuste o scarponi per proteggere i piedi.
- ◆ Indossare pantaloni a gamba lunga per proteggere le gambe.
- ◆ Prima di usare l'elettrotensile, verificare che il percorso da tosaerba sia sgombro da pezzi di legno, pietre, fili e qualsiasi altro ostacolo.
- ◆ Usate l'elettrotensile soltanto in posizione verticale, con il filo di taglio vicino al suolo. Non avviare mai l'elettrotensile in nessun'altra posizione.
- ◆ Procedere lentamente quando si adopera l'elettrotensile. Ricordare sempre che l'erba appena tagliata è umida e scivolosa.
- ◆ Non lavorare su pendenze ripide. Quando si lavora in pendio, spostare l'elettrotensile da lato a lato, mai da dall'alto in basso.

- ◆ Non attraversare mai percorsi di ghiaia o asfaltati con l'elettrotensile in funzione.
- ◆ Non toccare mai il filo di taglio mentre l'elettrotensile è acceso.
- ◆ Non poggiare l'elettrotensile a terra fino a che il filo di taglio non si è arrestato del tutto.
- ◆ Impiegare unicamente il filo di taglio adeguato. Non utilizzare fili di taglio metallici o fili da pesca.
- ◆ Fate attenzione a non toccare la lama del filo tosaerba.
- ◆ Attenzione a tenere il cavo dell'alimentazione lontano dal filo di taglio. Tenere sempre sotto controllo la posizione del cavo.
- ◆ Tenere sempre mani e piedi lontani dal filo di taglio, soprattutto quando si accende il motore.
- ◆ Attenzione! Gli elementi da taglio continuano a ruotare dopo lo spegnimento dell'elettrotensile.
- ◆ Non utilizzare mai l'elettrotensile con le protezioni danneggiate o non inserite.
- ◆ Controllare sempre che le prese di ventilazione siano sgombre da detriti.
- ◆ Prima di usare l'elettrotensile e/o se questo ha subito urti, controllare l'eventuale presenza di segni di usura o danni e riparare come necessario.
- ◆ Porre attenzione ad evitare lesioni causate da eventuali dispositivi utilizzati per tagliare la lunghezza del filo. Dopo avere esteso il nuovo filo di taglio, riportare sempre l'elettrotensile nella posizione operativa normale prima di accenderlo.
- ◆ Non usare il tosaerba (tagliabordi) se il cavo di alimentazione è usurato o danneggiato.
- ◆ Mantenere il cavo di prolunga distante dagli elementi da taglio.

## Sicurezza altrui

- ◆ Questo elettrotensile non è destinato ad essere utilizzato da persone (bambini inclusi) con ridotte capacità fisiche, sensoriali o mentali, senza esperienza o non in possesso delle dovute conoscenze, senza la supervisione o l'addestramento da parte di una persona responsabile per la loro sicurezza.
- ◆ Controllare i bambini per evitare che giochino con l'elettrotensile.

## Istruzioni supplementari sulla sicurezza per batterie e caricabatterie

### Batterie

- ◆ Non tentare mai di aprire le batterie, per nessuna ragione.
- ◆ Non esporre la batteria all'acqua.
- ◆ Non riparla in luoghi in cui la temperatura può superare 40 °C.
- ◆ Caricare le batterie solo a temperatura ambiente compresa tra 10 °C e 40 °C.

- ◆ Caricare la batteria solo usando il caricabatterie fornito con l'utensile. L'uso di un caricabatterie errato potrebbe causare scosse elettriche o il surriscaldamento della batteria.
- ◆ Per smaltire le batterie seguire le istruzioni riportate nel capitolo "Protezione dell'ambiente".
- ◆ Non danneggiare o deformare la batteria forandola o colpendola, in quanto ciò può esporre al rischio di infortuni e incendi.
- ◆ Non ricaricare batterie danneggiate.
- ◆ In condizioni estreme, la batteria può perdere liquido. Se si osserva del liquido sulle batterie asciugarlo con attenzione utilizzando un panno. Evitare il contatto con l'epidermide.
- ◆ In caso di contatto con l'epidermide o gli occhi, osservare le seguenti istruzioni.

**Attenzione!** Il fluido delle batterie può causare lesioni o danni agli oggetti. In caso di contatto con l'epidermide, sciacquare immediatamente con acqua. Se si verificano arrossamenti, dolore o irritazioni rivolgersi a un medico. In caso di contatto con gli occhi, sciacquare immediatamente con acqua pulita e rivolgersi a un medico.

### Caricabatterie

Il caricabatterie è predisposto per essere alimentato con una specifica tensione. Controllare che la tensione di alimentazione corrisponda a quella indicata sulla targhetta con i dati caratteristici.

**Attenzione!** Non cercare di utilizzare una normale presa di corrente al posto del caricabatterie.

- ◆ Usare il caricabatterie Black & Decker soltanto per caricare le batterie fornite con l'utensile. Batterie di altro tipo possono esplodere, provocando danni a persone e cose.
- ◆ Non tentare mai di ricaricare una batteria non ricaricabile.
- ◆ Se il cavo elettrico in dotazione risulta danneggiato, deve essere sostituito dal produttore o da un Centro di assistenza autorizzato Black & Decker, onde evitare rischi.
- ◆ Non esporre il caricabatterie all'acqua.
- ◆ Non aprire il caricabatterie.
- ◆ Non applicare i puntali di un multimetro sul caricabatterie.
- ◆ Durante la ricarica, l'apparecchio/utensile/batteria devono essere collocati in un'area ben ventilata.

I seguenti simboli si trovano sulla batteria:



Pericolo d'incendio! Evitare di mettere in cortocircuito i contatti della batteria rimossa (ad es. riponendo la batteria in uno scomparto con altri oggetti metallici).



Non bruciare la batteria.

Sul caricabatterie sono apposti i seguenti simboli:



Il caricabatterie è destinato ad essere usato esclusivamente in ambienti interni.

### Etichette sull'elettrotensile.

Sull'elettrotensile sono visibili i seguenti simboli di avvertenza:



Prima dell'uso leggere il presente manuale.



Indossare sempre occhiali di protezione quando si utilizza questo elettrotensile.



Non consentire a persone o animali di avvicinarsi a meno di 6 m dall'area di taglio.



Non esporre l'elettrotensile alla pioggia o a condizioni di elevata umidità.

### Sicurezza elettrica



Il caricabatterie è provvisto di doppio isolamento che rende superflua la messa a terra. Controllare che la tensione di alimentazione corrisponda a quella indicata sulla targhetta con i dati caratteristici.

- ◆ Se il cavo elettrico in dotazione risulta danneggiato, deve essere sostituito dal produttore o da un Centro di assistenza autorizzato Black & Decker, onde evitare rischi.
- ◆ **Attenzione!** Non cercare di utilizzare una normale presa di corrente al posto del caricabatterie.

### Funzioni

Questo utensile è dotato di tutte le caratteristiche elencate di seguito, o di alcune di esse.

1. Interruttore acceso/spento
2. Pulsante di sblocco
3. Maniglia
4. Impugnatura secondaria
5. Collare di regolazione dell'altezza
6. Tubo
7. Collare di regolazione della modalità
8. Testa
9. Guida per bordo
10. Protezione
11. Filo di taglio
12. Alloggiamento bobina
13. Lama del filo tosaerba

### Montaggio

**Attenzione!** Evitare di accendere involontariamente l'utensile durante il montaggio.

#### Installazione della protezione (fig. A)

- ◆ Collocare la protezione (10) sull'utensile, come illustrato.
- ◆ Premere con decisione la protezione fino a farla scattare in posizione.
- ◆ Bloccare la protezione con la vite (14).

**Attenzione!** Non usare mai l'utensile se la protezione non è installata correttamente.

#### Sblocco del filo di taglio

Durante il trasporto, il filo di taglio è fissato all'alloggiamento della bobina.

- ◆ Rimuovere il nastro che ferma il filo di taglio (11) all'alloggiamento della bobina (12).

### Uso

**Attenzione!** Lasciare che l'utensile lavori al suo ritmo, senza sovraccaricarlo.

#### Carica della batteria (fig. B)

La batteria deve essere caricata prima di usarla per la prima volta e poi ogni volta che non riesce a produrre l'energia sufficiente ad eseguire lavori che prima venivano svolti con facilità. La prima volta che viene caricata, o se è rimasta inutilizzata a lungo, la batteria arriva a caricarsi solo fino all'80% della capacità. Dopo diversi cicli di carica e scarica la batteria raggiunge la piena capacità. L'eventuale surriscaldamento della batteria durante il processo di carica è normale e non è indicativo di nessun problema.

- ◆ Inserire la spina del caricabatterie (15) nel connettore del caricabatterie (16) sul retro dell'utensile.
- ◆ Collegare il caricabatterie ad una presa di corrente.
- ◆ Accenderlo.

La batteria può rimanere attaccata al caricabatterie indefinitamente.

- ◆ Quando si desidera usare l'utensile, estrarre il connettore del caricabatterie dall'utensile e scollegare il caricabatterie dalla presa.

Per ottimizzare la durata della batteria si consiglia di mantenere la batteria collegata al caricabatterie quando l'utensile non è in uso. Quando la batteria è carica, il consumo del caricabatterie è praticamente nullo.

#### Impostazione dell'utensile sulla modalità di tosatura o rifinitura dei bordi (fig. C - E)

L'utensile può essere impiegato per tosare l'erba, come mostra la fig. C, oppure per pareggiare l'erba che fuoriesce dai bordi di prati e fioriere, come mostra la fig. D.

**Modalità di tosatura (fig. C & E)**

Per tosare l'erba, la testa tosatrice deve trovarsi sulla posizione indicata nella fig. C. In caso contrario:

- ◆ Impugnando la maniglia secondaria (4) con una mano, prendere il collare (7) con l'altra mano.
- ◆ Spingere l'anello nella direzione della testa tosatrice e girarlo in senso antiorario finché la testa tosatrice non si aggancia nella posizione di tosatura.
- ◆ Rilasciare l'anello.
- ◆ Collocare la guida dei bordi (9) in posizione arretrata.

**Modalità di rifinitura dei bordi (fig. D & E)**

Per la rifinitura dei bordi, la testa tosatrice deve trovarsi nella posizione raffigurata nella fig. D. In caso contrario:

- ◆ Impugnando la maniglia secondaria (4) con una mano, prendere il collare (7) con l'altra mano.
- ◆ Spingere l'anello nella direzione della testa tosatrice e girarlo in senso orario finché la testa tosatrice non si aggancia nella posizione di tosatura.
- ◆ Rilasciare l'anello.
- ◆ Collocare la guida dei bordi (9) in posizione di totale estensione.

**Regolazione dell'altezza dell'utensile (fig. F)**

Il tubo telescopico (6) consente di regolare l'altezza dell'utensile per ottenere il massimo comfort.

- ◆ Allentare il collare (5).
- ◆ Per aumentare l'altezza, fare scivolare il tubo in fuori.
- ◆ Per ridurre l'altezza, fare scivolare il tubo in dentro.
- ◆ Serrare il collare.

**Avviamento e spegnimento**

Per ragioni di sicurezza, questo utensile viene fornito con un sistema di doppi interruttori. Il sistema impedisce l'avviamento indesiderato.

**Accensione**

- ◆ Spingere indietro il pulsante di sblocco (2) con il pollice e, contemporaneamente, premere l'interruttore acceso/spento (1).
- ◆ Rilasciare il pulsante di sblocco.

**Spegnimento**

- ◆ Rilasciare l'interruttore acceso/spento (1).

**Attenzione!** Non tentare mai di bloccare l'interruttore a grilletto in posizione di accensione.

**Consigli per un'ottima utilizzazione****Informazioni generali**

- ◆ Per ottenere un taglio ottimale, tosare soltanto erba asciutta.

**Tosatura**

- ◆ Sostenere l'utensile come mostrato nella fig. C.
- ◆ Fare oscillare con delicatezza il tagliabordi, da un lato all'altro.
- ◆ Quando si tosa erba alta, procedere per gradi, partendo dalla cima. Fare piccoli tagli.
- ◆ Tenere l'utensile lontano da oggetti duri e piante delicate.
- ◆ Se la velocità dell'utensile diminuisce, ridurre il carico.

**Rifinitura dei bordi**

Per ottenere risultati ottimali, intervenire su bordi con profondità superiore a 50 mm.

- ◆ Non adoperare l'utensile per creare dei bordi; in questo caso è opportuno adoperare un'apposita vanga.
- ◆ Guidare l'utensile come illustrato nella fig. D.
- ◆ Per eseguire un taglio più accurato, inclinare lievemente l'utensile.

**Installazione di una nuova bobina di filo di taglio (fig. G)**

I ricambi delle bobine per il filo di taglio sono disponibili presso il concessionario Black & Decker (numero di catalogo: A6481).

- ◆ Mantenere le linguette (17) premute e togliere il coperchio della bobina (18) dall'alloggiamento (12).
- ◆ Estrarre la bobina vuota (19) dall'alloggiamento.
- ◆ Rimuovere ogni traccia di sporcizia ed erba dal coperchio della bobina e dall'alloggiamento.
- ◆ Svolgere circa 9 cm di filo di taglio dalla nuova bobina.
- ◆ Infilare il filo di taglio nell'occhiello (20).
- ◆ Spingere la bobina nell'albero (21) e ruotarla di poco finché non si assesta. Verificare che il filo di taglio non si sia inceppato sotto la bobina e che dall'alloggiamento ne fuoriescano 9 cm.
- ◆ Allineare le linguette sul coperchio della bobina con i fori dell'alloggiamento.
- ◆ Spingere il coperchio nell'alloggiamento fino a bloccarlo in posizione.

**Attenzione!** Se i fili di taglio fuoriescono al di là della lama di tosatura (13), tagliarli in modo che raggiungano solo la lama.

**Avvolgimento di filo nuovo su una bobina vuota (fig. H & I)**

Le confezioni di ricambio del filo di taglio sono disponibili presso il concessionario Black & Decker (numero di catalogo: A6170 (25 m) & A6171 (40 m)).

- ◆ Rimuovere la bobina vuota dall'utensile, come descritto in precedenza.
- ◆ Rimuovere dalla bobina eventuali residui di filo di taglio.
- ◆ Infilare 2 cm di filo di taglio in uno dei fori (22) della bobina, come illustrato.
- ◆ Piegarlo il filo di taglio e fermarlo nella feritoia ad L (23).



- ◆ Avvolgere il filo di taglio sulla bobina nel verso della freccia (24). Assicurarsi che il filo si avvolga ordinatamente e a strati successivi, senza seguire percorsi trasversali.
- ◆ Quando il filo di taglio che si sta avvolgendo raggiunge le tacche, (25) tagliarlo. Lasciare fuoriuscire circa 9 cm di filo di taglio e premerlo con un dito per mantenerlo fermo.
- ◆ Per inserire la bobina nell'utensile, procedere come descritto sopra.

**Attenzione!** Usare esclusivamente il filo adeguato della Black & Decker. Verificare che il filo di taglio sia presente in entrambe le sezioni della bobina.

## Stoccaggio

Quando l'utensile non viene usato per diversi mesi, si consiglia di lasciare la batteria collegata al caricabatterie. Altrimenti procedere come segue:

- ◆ Caricare completamente la batteria.
- ◆ Conservare l'utensile in un posto sicuro e asciutto. La temperatura di conservazione deve sempre restare entro i +5 °C e i +40 °C.
- ◆ Prima di usare l'utensile dopo un lungo periodo di conservazione, ricaricare nuovamente la batteria.

## Risoluzione dei problemi

Se l'utensile non sembra funzionare correttamente, procedere come segue. Se il problema persiste, contattare il servizio di assistenza tecnica della Black & Decker.

**Attenzione!** Evitare di accendere involontariamente l'utensile.

### L'utensile funziona lentamente

- ◆ Controllare che l'alloggiamento della bobina ruoti liberamente. Se necessario pulirlo accuratamente.
- ◆ Controllare che il filo di taglio non fuoriesca per più di 11 cm dall'alloggiamento della bobina. In caso contrario, tagliare il filo in modo che raggiunga il perimetro della lama di tosatura.

### L'alimentazione automatica del filo non funziona

- ◆ Tenere premute le linguette e togliere il coperchio della bobina dall'alloggiamento.
- ◆ Tirare il filo di taglio sino a che fuoriesce dall'alloggiamento di 11 cm. Se non c'è sufficiente filo nella bobina, montare una nuova bobina di filo di taglio, come descritto in precedenza.
- ◆ Allineare le linguette del coperchio della bobina con le fessure dell'alloggiamento.
- ◆ Spingere il coperchio nell'alloggiamento fino a bloccarlo in posizione.
- ◆ Se il filo di taglio sporge oltre la lama di tosatura, tagliarlo in modo che non superi il perimetro della lama.

Se l'alimentazione automatica del filo continua a non funzionare, o se la bobina è inceppata, procedere come indicato di seguito:

- ◆ Pulire accuratamente l'alloggiamento e il coperchio della bobina.
- ◆ Estrarre la bobina e controllare se la leva si muove liberamente.
- ◆ Togliere la bobina e srotolare il filo di taglio, poi avvolgere nuovamente il filo, come descritto in precedenza. Sostituire la bobina come indicato.

## Manutenzione

Questo apparecchio/elettrotensile con filo o a batteria Black & Decker è stato progettato per funzionare a lungo con un minimo di manutenzione. Per un funzionamento sempre soddisfacente è necessario avere cura dell'elettrotensile e provvedere alla regolare pulizia.

**Attenzione!** Prima di eseguire qualunque intervento di manutenzione su elettrotensili con filo o a batteria:

- ◆ Spegner l'apparecchio/elettrotensile e disinserire la spina.
- ◆ Oppure spegnere e rimuovere la batteria se l'apparecchio/elettrotensile è dotato di una batteria separata.
- ◆ Oppure, far scaricare completamente la batteria, se è integrata, quindi spegnere l'elettrotensile.
- ◆ Scollegare il caricabatterie dalla presa elettrica prima di pulirlo. Il caricabatterie non richiede alcun tipo di manutenzione oltre a una regolare pulizia.
- ◆ Pulire regolarmente con una spazzola morbida o un panno asciutto le prese di ventilazione dell'elettrotensile/apparecchio e del caricabatterie.
- ◆ Il vano del motore deve essere pulito regolarmente con un panno umido. Non usare materiali abrasivi o detergenti a base di solventi.
- ◆ Aprire regolarmente il mandrino e colpirlo leggermente per togliere tutta la polvere dall'interno (quando è installato).

## Protezione dell'ambiente



Raccolta differenziata. Questo prodotto non deve essere smaltito con i normali rifiuti domestici.

Nel caso in cui si decida di sostituire l'apparecchio oppure di disfarsene in quanto non più necessario, non dovrà essere smaltito con i normali rifiuti domestici. Smaltire il prodotto tramite raccolta differenziata.



La raccolta differenziata di prodotti e imballaggi usati, consente il riciclaggio e il riutilizzo dei materiali. Riutilizzare i materiali riciclati aiuta a prevenire l'inquinamento ambientale e riduce la richiesta di materie prime.

In base alle normative locali, i servizi per la raccolta differenziata di elettrodomestici possono essere disponibili presso i punti di raccolta municipali o presso il rivenditore, al momento dell'acquisto di un nuovo prodotto.

Black & Decker offre ai suoi clienti un servizio per la raccolta differenziata e la possibilità di riciclare i prodotti Black & Decker che hanno esaurito la loro durata in servizio. Per usufruire del servizio, è sufficiente restituire il prodotto a qualsiasi tecnico autorizzato, incaricato della raccolta per conto dell'azienda.

Per individuare il tecnico autorizzato più vicino, rivolgersi alla sede Black & Decker locale, presso il recapito indicato nel presente manuale. Altrimenti un elenco completo di tutti i tecnici autorizzati Black & Decker e i dettagli completi sui contatti e i servizi post-vendita sono disponibili sul sito Internet: [www.2helpU.com](http://www.2helpU.com)

## Batterie



Le batterie esaurite devono essere smaltite nel totale rispetto dell'ambiente.

- ◆ Non cortocircuitare i terminali della batteria.
- ◆ Non smaltire la(le) batteria(e) gettandola(e) nel fuoco, ciò può causare il rischio di lesioni o di un'esplosione.
- ◆ Quando è completamente esaurita, la batteria deve essere estratta dall'utensile.
- ◆ Le batterie sono riciclabili. Le batterie devono essere imballate in modo tale da garantire che i terminali non possano essere cortocircuitati. Portarle a un tecnico autorizzato o presso un impianto di riciclaggio di zona.

## Dati tecnici

	GLC13 H2
Tensione	V <sub>DC</sub> 12
Velocità a vuoto	min <sup>-1</sup> 7.500
Peso	kg 3,2

Livello vibrazioni mani / braccia, dati conformi alla norma EN 786: < 2,5

## Dichiarazione di conformità CE

DIRETTIVA MACCHINE  
DIRETTIVA SULLE EMISSIONI ACUSTICHE ALL'ARIA  
APERTA



GLC13

Black & Decker dichiara che i prodotti descritti nella sezione "dati tecnici" sono conformi con:

98/37/CE (fino al 28 dicembre 2009), 2006/42/CE  
(dal 29 dicembre 2009), 2004/108/CE, EN 60335-1,  
EN 60335-2-91

2000/14/CE, Tosaerba, L ≤ 50 cm, Allegato VIII

KEMA Quality B.V., Utrechtseweg 310, 6802 ED Arnhem,  
Paesi Bassi  
Notified Body ID No.: 0344

Livello di potenza acustica conforme con 2000/14/CE  
(Articolo 12, Allegato VIII, L ≤ 50 cm):  
L<sub>WA</sub> (potenza sonora misurata) 92 dB(A)  
L<sub>WA</sub> (potenza sonora garantita) 94 dB(A)

Per ulteriori informazioni, contattare Black & Decker ai seguenti indirizzi o consultare il retro del manuale.  
Il sottoscritto è responsabile della compilazione del file tecnico e rilascia la presente dichiarazione per conto di Black & Decker.

Kevin Hewitt

Vicepresidente progettazione globale  
Black & Decker Europe, 210 Bath Road, Slough,  
Berkshire, SL1 3YD  
Regno Unito  
10-12-2009

## Garanzia

Certa della qualità dei suoi prodotti, Black & Decker offre una garanzia eccezionale. Il presente certificato di garanzia è complementare ai diritti statutari e non li pregiudica in alcun modo. La garanzia è valida entro il territorio degli Stati membri dell'Unione Europea e dell'EFTA (European Free Trade Area).

Se un prodotto Black & Decker risulta difettoso per qualità del materiale, della costruzione o per mancata conformità entro 24 mesi dalla data di acquisto, Black & Decker garantisce la sostituzione delle parti difettose, provvede alla riparazione dei prodotti se ragionevolmente usurati oppure alla loro sostituzione, in modo da ridurre al minimo il disagio del cliente a meno che:

- ◆ Il prodotto non sia stato destinato ad usi commerciali, professionali o al noleggio;
- ◆ Il prodotto non sia stato usato in modo improprio o scorretto;
- ◆ Il prodotto non abbia subito danni causati da oggetti o sostanze estranee oppure incidenti;
- ◆ Il prodotto non abbia subito tentativi di riparazione non effettuati da tecnici autorizzati né dall'assistenza Black & Decker.

Per attivare la garanzia è necessario esibire la prova comprovante l'acquisto al venditore o al tecnico autorizzato. Per individuare il tecnico autorizzato più vicino, rivolgersi alla sede Black & Decker locale, presso il recapito indicato nel presente manuale. Altrimenti un elenco completo di tutti i tecnici autorizzati Black & Decker e i dettagli completi sui contatti e i servizi post-vendita sono disponibili su Internet presso: **[www.2helpU.com](http://www.2helpU.com)**

I clienti che desiderano registrare il nuovo prodotto Black & Decker e ricevere gli aggiornamenti sui nuovi prodotti e le offerte speciali, sono invitati a visitare il sito Web (**[www.blackanddecker.it](http://www.blackanddecker.it)**). Ulteriori informazioni sul marchio e la gamma di prodotti Black & Decker sono disponibili all'indirizzo **[www.blackanddecker.it](http://www.blackanddecker.it)**

## Gebruik volgens bestemming

Uw Black & Decker strimmer is ontworpen voor het strimmen en afwerken van graskanten alsmede voor het strimmen van gras in besloten ruimtes. Dit apparaat is uitsluitend bedoeld voor consumentengebruik.

Uw Black & Decker oplader is ontworpen om de accu op te laden in het gereedschap waarmee hij geleverd is.

## Veiligheidsvoorschriften

### Algemene veiligheidswaarschuwingen voor apparaten



**Waarschuwing!** Bij het gebruik van elektrische/ snoerloze apparaten dienen ter bescherming tegen brandgevaar, elektrische schok, letsel en materiële schade altijd gepaste veiligheidsmaatregelen in acht te worden genomen, waaronder de volgende veiligheidsvoorschriften.

- ◆ Lees de gehele gebruiksaanwijzing aandachtig door voordat u het apparaat gaat gebruiken.
- ◆ Het bedoelde gebruik wordt in deze handleiding beschreven. Gebruik ter voorkoming van lichamelijk letsel uitsluitend de in deze gebruiksaanwijzing aanbevolen accessoires en hulpstukken. Gebruik het apparaat uitsluitend waarvoor het bedoeld is.

### Bewaar alle waarschuwingen en instructies zorgvuldig.

Het hierna gebruikte begrip "apparaat" heeft betrekking op elektrische apparaten voor gebruik op het stroomnet (met netsnoer) of op een accu (snoerloos).

### Gebruik van het apparaat

Kijk altijd goed uit wanneer u het apparaat gebruikt.

- ◆ Houd uw werkomgeving schoon en opgeruimd. Een rommelige en een onverlichte werkomgeving kan tot ongevallen leiden.
- ◆ Gebruik het apparaat alleen bij daglicht of goed kunstlicht.
- ◆ Werk niet met uw apparaat in een omgeving met explosiegevaar, zoals in aanwezigheid van brandbare vloeistoffen, gassen of stof.
- ◆ Verbied kinderen en personen die niet van de inhoud van de handleiding op de hoogte zijn het gebruik van het apparaat.
- ◆ Houd kinderen en dieren buiten het werkgebied en laat ze het elektriciteits snoer van het apparaat niet aanraken.
- ◆ Houd kinderen en andere personen tijdens het gebruik van het apparaat uit de buurt. Wanneer u wordt afgeleid, kunt u de controle verliezen.
- ◆ Het apparaat dient niet als speelgoed gebruikt te worden.

- ◆ Dompel het apparaat niet in water onder.
- ◆ Open de behuizing niet. Er bevinden zich geen door de gebruiker verwisselbare onderdelen in het apparaat.

### Veiligheid van personen

- ◆ Wees alert, let goed op wat u doet en ga met verstand te werk bij het gebruik van een apparaat. Gebruik een apparaat niet wanneer u moe bent of onder invloed van drugs, alcohol of medicijnen. Een moment van onoplettendheid bij het gebruik van een apparaat kan tot ernstige verwondingen leiden.
- ◆ Waar vereist, gebruik persoonlijke beschermende uitrusting. Persoonlijke beschermende uitrusting zoals een veiligheidsbril, stofmasker, slipvaste werkschoenen, een veiligheidshelm of gehoorbescherming, gebruikt voor geschikte condities, verkleint het risico van verwondingen.
- ◆ Voorkom onbedoeld inschakelen. Zorg ervoor dat de schakelaar in de uit-stand staat voordat u de stekker in het stopcontact steekt, de accu plaatst of het apparaat oppakt of draagt. Het dragen van apparaten met uw vinger aan de schakelaar of het apparaat ingeschakeld op de stroomvoorziening aansluiten kan tot ongelukken leiden.
- ◆ Reik niet te ver. Zorg er altijd voor dat u stevig staat en in evenwicht blijft. Daardoor kunt u het apparaat in onverwachte situaties beter onder controle houden.
- ◆ Draag geschikte kleding. Draag geen loshangende kleding of sieraden. Houd haren, kleding en handschoenen uit de buurt van bewegende delen. Loshangende kleding, sieraden en lange haren kunnen bekneld raken in bewegende delen.

### Gebruik en onderhoud van een apparaat

- ◆ Controleer het apparaat voor gebruik op beschadigde of defecte onderdelen. Controleer op kapotte onderdelen, beschadigingen aan schakelaars en enige andere zaken die de werking nadelig kunnen beïnvloeden.
- ◆ Gebruik het apparaat niet als de aan/uitschakelaar niet werkt. Een apparaat dat niet meer kan worden in- of uitgeschakeld is gevaarlijk en moet worden gerepareerd.
- ◆ Trek de stekker uit het stopcontact en/of de accu uit het apparaat alvorens het apparaat af te stellen, accessoires te verwisselen of apparaten op te bergen. Deze voorzorgsmaatregel voorkomt onbedoeld starten van het apparaat.
- ◆ Waar toepasbaar, houd snijgereedschappen scherp en schoon. Zorgvuldig onderhouden snijgereedschappen met scherpe snijkanten lopen minder snel vast en zijn gemakkelijker te sturen.
- ◆ Gebruik het apparaat niet als een onderdeel beschadigd of defect is.
- ◆ Defecte onderdelen dienen door een erkend servicecentrum te worden gerepareerd of vervangen.

- ◆ Probeer nooit om enig onderdeel anders dan in deze handleiding beschreven te verwijderen of te vervangen.

## Elektrische veiligheid

- ◆ De netstekker van het apparaat moet in het stopcontact passen. De stekker mag in geen geval worden veranderd. Gebruik geen adapterstekkers in combinatie met geaarde apparaten. Onveranderde stekkers en passende stopcontacten verminderen de kans op een elektrische schok.
- ◆ Stel een apparaat niet bloot aan regen en vocht. In een apparaat binnendringend water vergroot de kans op een elektrische schok.
- ◆ Gebruik het snoer niet voor een verkeerd doel. Gebruik het snoer niet om het apparaat te dragen, voor te trekken of om de stekker uit het stopcontact te trekken. Houd het snoer uit de buurt van hitte, olie, scherpe randen of bewegende delen. Beschadigde of in de war geraakte snoeren vergroten de kans op een elektrische schok.
- ◆ Waar nodig. Gebruik wanneer u buitenshuis met een apparaat werkt alleen verlengsnoeren die voor gebruik buitenshuis zijn goedgekeurd. Het gebruik van een voor gebruik buitenshuis geschikt verlengsnoer verkleint de kans op een elektrische schok.
- ◆ Gebruik een netvoeding voorzien van een reststroomvoorziening (RCD) indien het gebruiken van een apparaat op een vochtige locatie onvermijdelijk is. Gebruik van een reststroomvoorziening verkleint het risico van elektrische schok.

## Gebruik en onderhoud van op een accu werkende gereedschappen (alleen snoerloze apparaten)

- ◆ Laad accu's alleen op in door de fabrikant gespecificeerde opladers. Een voor een bepaald type accu geschikte oplader levert brandgevaar op bij gebruik met een andere accu.
- ◆ Gebruik apparaten alleen met de daarvoor bedoelde accu's. Het gebruik van andere accu's kan letsel en brand veroorzaken.
- ◆ Houd accu's die niet in gebruik zijn uit de buurt van metalen voorwerpen zoals paperclips, munten, sleutels, spijkers, schroeven en andere kleine metalen voorwerpen die overbrugging van de contacten kunnen veroorzaken. Kortsluiting tussen de accupolen brandwonden of brand veroorzaken.
- ◆ Bij verkeerd gebruik kan vloeistof uit de accu lekken. Voorkom contact. Spoel in geval van onbedoeld contact met water. Raadpleeg tevens een arts als de vloeistof in contact komt met de ogen. Uit de accu gelekte vloeistof kan huidirritaties of brandwonden veroorzaken.

## Na gebruik

- ◆ Berg het apparaat na gebruik op in een droge, goed geventileerde ruimte, buiten het bereik van kinderen.

- ◆ Kinderen mogen geen toegang hebben tot opgeborgen apparaten.
- ◆ Wanneer het apparaat is opgeborgen of wordt getransporteerd in een voertuig moet het apparaat worden geplaatst in het oplaadstation of worden voorkomen dat het apparaat kan bewegen door plotselinge verandering van snelheid en richting.

## Service

- ◆ Laat het apparaat alleen repareren door een gekwalificeerde reparateur en alleen met gebruik van originele vervangingsonderdelen. Dit garandeert de veiligheid van het apparaat.

## Aanvullende veiligheidsinstructies voor strimmers

De machine is voorzien van de volgende pictogrammen:



Lees de handleiding voordat u met de machine gaat werken.



Draag een veiligheidsbril als u deze machine bedient.



Houd mensen en dieren tenminste 6 m uit de buurt van de snijdraad.



Stel het apparaat niet bloot aan regen.

- ◆ Zorg dat u bekend bent met de bedieningsonderdelen en het juiste gebruik van de machine.
- ◆ Gebruik de machine alleen bij daglicht of goede kunstmatige verlichting.
- ◆ Controleer voor gebruik het elektriciteits snoer en de verlengsnoer op beschadiging, veroudering en slijtage. Indien een snoer tijdens gebruik beschadigd raakt, verwijdert u het netsnoer onmiddellijk uit het stopcontact. **RAAK HET SNOER NIET AAN, VOORDAT DE STROOM IS UITGESCHAKELD.**
- ◆ Gebruik de machine niet als de snoeren beschadigd of versleten zijn.
- ◆ Draag stevige schoenen of laarzen om uw voeten te beschermen.
- ◆ Draag een lange broek om uw benen te beschermen.
- ◆ Controleer voordat u de machine in gebruik neemt of er geen stokjes, steentjes, draad en andere obstakels op het te bewerken oppervlak liggen.
- ◆ Gebruik de machine alleen in rechtopstaande positie, met het snijdraad in de buurt van de grond. Schakel de machine nooit in een andere positie in.
- ◆ Beweeg langzaam wanneer u de machine gebruikt. Houd er rekening mee dat pas gemaaid gras vochtig en glad is.

- ◆ Werk niet op steile hellingen. Bewerk taluds in stroken van links naar rechts, niet van boven naar beneden.
- ◆ Steek nooit grindpaden of -wegen over terwijl de machine is ingeschakeld.
- ◆ Raak nooit de snijdraad aan terwijl de machine is ingeschakeld.
- ◆ Zet de machine niet neer voordat de snijdraad volledig tot stilstand is gekomen.
- ◆ Gebruik uitsluitend het geschikte type snijdraad. Gebruik nooit snijdraad van metaal of vislijn.
- ◆ Voorkom aanraking van het snijmes.
- ◆ Zorg dat het netsnoer uit de buurt van het snijdraad wordt gehouden. Zorg dat u altijd weet waar het snoer zich bevindt.
- ◆ Houd altijd en handen en voeten uit de buurt van de snijdraad, vooral bij het inschakelen van de motor.
- ◆ **Waarschuwing!** Het snijdraad van metaal draait nog door terwijl de machine is uitgeschakeld.
- ◆ Gebruik de machine nooit met beschadigde beschermkappen of zonder dat beschermkappen zijn aangebracht.
- ◆ Zorg er altijd voor dat de ventilatieopeningen vrij zijn van afval.
- ◆ Controleer het apparaat voor gebruik en na harde schokken op slijtage of beschadiging en repareer indien noodzakelijk.
- ◆ Voorkom verwonding door apparaten om de snoeidraad mee af te knippen. Breng na het verlengen van de snijdraad het apparaat altijd weer in de normale stand terug alvorens hem in te schakelen.
- ◆ Gebruik de grastrimmer (kantstrimmer) niet als de snoeren beschadigd of versleten zijn.
- ◆ Houd het verlengsnoer uit de buurt van de snijbladen.

## Veiligheid van anderen

- ◆ Dit apparaat is niet bedoeld voor gebruik door personen (inclusief kinderen) met beperkt lichamelijk, zintuigelijk of geestelijk vermogen, of gebrek aan ervaring en kennis, tenzij ze de supervisie of instructie is gegeven omtrent het gebruik van het apparaat door een persoon die verantwoordelijk is voor hun veiligheid.
- ◆ Houd toezicht op kinderen om te voorkomen dat zij met het apparaat gaan spelen.

## Aanvullende veiligheidsvoorschriften voor accu's en opladers

### Accu's

- ◆ Probeer nooit een accu te openen.
- ◆ Stel de accu niet aan water bloot.
- ◆ Bewaar accu's niet op plaatsen waar de temperatuur hoger kan worden dan 40 °C.
- ◆ Laad accu's uitsluitend op bij een omgevingstemperatuur tussen 10 °C en 40 °C.

- ◆ Laad accu's uitsluitend op met behulp van de meegeleverde oplader. Het gebruik van een verkeerde oplader kan resulteren in een elektrische schok of de accu kan oververhit raken.
- ◆ Volg bij het weggoeien van accu's de instructies in de paragraaf "Milieu" op.
- ◆ Beschadig en vervorm de accu niet door lek prikken of door botsing, omdat dit letsel en brandgevaar kan opleveren.
- ◆ Laad geen beschadigde accu's op.
- ◆ Onder extreme gebruikscondities kan er vloeistof uit de accu vrijkomen. Als u vloeistof op de accu's opmerkt, verwijder dan de vloeistof voorzichtig met behulp van een doekje. Vermijd huidcontact.
- ◆ Als de vloeistof toch in aanraking komt met de huid of de ogen, volgt u de onderstaande instructies op.

**Waarschuwing!** De accuvloeistof kan ernstig letsel of schade aan eigendommen veroorzaken. Indien accuvloeistof met de huid in aanraking is gekomen, spoel dan de huid onmiddellijk met water af. Raadpleeg in geval van rode uitslag, pijn of irritatie onmiddellijk een arts. Indien accuvloeistof met het oog in aanraking is gekomen, spoel dan onmiddellijk het oog met water.

### Opladers

Uw oplader is ontwikkeld voor een bepaalde spanning. Controleer altijd of de netspanning overeenkomt met het voltage op het typeplaatje.

**Waarschuwing!** Vervang de oplader nooit door een netstekker.

- ◆ Gebruik uw Black & Decker oplader uitsluitend voor het opladen van accu's van het meegeleverde type. Andere accu's kunnen scheuren en zo letsel en materiële schade veroorzaken.
- ◆ Probeer nooit niet-oplaadbare accu's op te laden.
- ◆ Laat een beschadigd netsnoer vervangen door de fabrikant of een erkend Black & Decker Servicecentrum om gevaren te voorkomen.
- ◆ Stel de oplader niet aan water bloot.
- ◆ Open de oplader niet.
- ◆ Doorboor de oplader niet.
- ◆ Het apparaat/gereedschap/accu moeten tijdens het opladen in een goed geventileerde ruimte worden geplaatst.

De accu is voorzien van het volgende pictogram:



Brandgevaar! Voorkom kortsluiting tussen de contactpunten van een losse accu (bijv. als u de accu in een gereedschapskist bewaart).



Verbrand de accu nooit.

De oplader is voorzien van de volgende pictogrammen:



De oplader is uitsluitend bedoeld voor gebruik binnenshuis.

### Labels op het apparaat

Het apparaat is voorzien van de volgende pictogrammen:



Lees de handleiding voordat u met het gereedschap gaat werken.



Draag een veiligheidsbril als u dit apparaat bedient.



Houd mensen en dieren tenminste 6 m uit de buurt van de snijdraad.



Stel het apparaat niet bloot aan regen of hoge vochtigheid.

### Elektrische veiligheid



Uw oplader is dubbel geïsoleerd; een aardaansluiting is daarom niet noodzakelijk. Controleer altijd of de netspanning overeenkomt met het voltage op het typeplaatje.

- ◆ Laat een beschadigd netsnoer vervangen door de fabrikant of een erkend Black & Decker Servicecentrum om gevaren te voorkomen.
- ◆ **Waarschuwing!** Vervang de oplader nooit door een netstekker.

### Onderdelen

Al naar gelang de uitvoering beschikt dit gereedschap over de volgende onderdelen.

1. Aan/uit-schakelaar
2. Ontgrendelingsknop
3. Handgreep
4. Extra handgreep
5. Instelkraag voor hoogte
6. Buis
7. Instelkraag voor bedrijfsmodus
8. Kop
9. Kantengeleider
10. Beschermkap
11. Snijdraad
12. Spoelbehuizing
13. Snijmes

### Assemblage

**Waarschuwing!** Voorkom een onbedoeld inschakelen van het gereedschap tijdens de montage.

### Aanbrengen van de beschermkap (fig. A)

- ◆ Plaats de beschermkap (10) op het gereedschap zoals afgebeeld.
- ◆ Duw de beschermkap stevig aan totdat hij op zijn plaats klikt.
- ◆ Bevestig de beschermkap met de schroef (14).

**Waarschuwing!** Gebruik het gereedschap nooit zonder dat de beschermkap naar behoren is aangebracht.

### Losmaken van het snijdraad

Voor transport wordt het snijdraad aan de spoelbehuizing vastgeplakt.

- ◆ Verwijder de tape waarmee het snijdraad (11) aan de spoelbehuizing (12) is vastgeplakt.

### Gebruik

**Waarschuwing!** Laat de machine op haar eigen tempo werken. Niet overbelasten.

### Opladen van de accu (fig. B)

Laad de accu op voor het eerste gebruik en zodra hij niet meer genoeg energie levert voor werkzaamheden die eerder moeiteloos konden worden verricht. Als u de accu voor de eerste keer of na langdurige opslag oplaadt, zal deze slechts voor ca. 80% worden opgeladen. Na een aantal laad- en ontlad-cycli wordt de accu echter compleet opgeladen. Tijdens het opladen kan de accu warm aanvoelen.

Dit is normaal en duidt niet op een defect.

- ◆ Steek de opladerstekker (15) in de opladeraansluiting (16) aan de achterzijde van het gereedschap.
- ◆ Sluit de oplader aan op een stopcontact.
- ◆ Schakel het apparaat in.

De accu kan voor onbepaalde tijd op de oplader aangesloten blijven.

- ◆ Wanneer u het gereedschap wilt gebruiken, neemt u de opladerstekker uit het gereedschap en trekt de oplader uit het stopcontact.

Om de levensduur van de accu te maximaliseren, streekt het tot aanbeveling om de accu op de oplader aangesloten te houden zolang het gereedschap niet wordt gebruikt. Als de accu volledig is opgeladen, is het stroomverbruik van de oplader verwaarloosbaar.

### Instellen van het gereedschap voor strimmen of graskantsnijden (fig. C - E)

Het gereedschap kan worden gebruikt voor strimmen zoals afgebeeld in fig. C, of voor graskantsnijden om overhangend gras langs graskanten en bloembedden te strimmen zoals afgebeeld in fig. D.

## Strimmen (fig. C & E)

Voor strimmen staat de strimkop in de stand zoals afgebeeld in fig. C. Indien dit niet het geval is:

- ◆ Terwijl u de extra handgreep (4) met de ene hand vasthoudt, neemt u de kraag (7) in de andere hand.
- ◆ Duw de kraag in de richting van de strimkop en draai hem linksom totdat de strimkop in de strimstand klikt.
- ◆ Laat de kraag los.
- ◆ Zet de kantengeleider (9) in de teruggetrokken stand.

## Graskantsnijden (fig. D & E)

Voor graskantsnijden staat de strimkop in de stand zoals afgebeeld in fig. D. Indien dit niet het geval is:

- ◆ Terwijl u de extra handgreep (4) met de ene hand vasthoudt, neemt u de kraag (7) in de andere hand.
- ◆ Duw de kraag in de richting van de strimkop en draai hem rechtsom totdat de strimkop in de strimstand klikt.
- ◆ Laat de kraag los.
- ◆ Zet de kantengeleider (9) in de uitgetrokken stand.

## De hoogte van het apparaat instellen (fig. F)

Met de telescopische buis (6) kunt u het gereedschap op een comfortabele hoogte instellen.

- ◆ Draai de kraag (5) los.
- ◆ Schuif de buis uit om de hoogte te vergroten.
- ◆ Schuif de buis in om de hoogte te verkleinen.
- ◆ Draai de kraag vast.

## Aan- en uitschakelen

Voor uw veiligheid is dit gereedschap uitgevoerd met een dubbel schakelsysteem. Dit systeem voorkomt onverwachts inschakelen van het gereedschap.

### Inschakelen

- ◆ Duw de ontgrendelingsknop (2) naar achteren met uw duim en knijp op hetzelfde moment de aan/uit-schakelaar (1) in.
- ◆ Laat de ontgrendelingsknop los.

### Uitschakelen

- ◆ Laat de aan/uit-schakelaar (1) los.

**Waarschuwing!** Probeer nooit om de trekkerhendel in de ingeschakelde stand te vergrendelen.

## Tips voor optimaal gebruik

### Algemeen

- ◆ Voor een optimaal resultaat kunt u het beste alleen droog gras bewerken.

### Strimmen

- ◆ Houd het gereedschap vast zoals afgebeeld in fig. C.
- ◆ Zwaai de strimmer langzaam heen en weer.

- ◆ Ga bij het bewerken van lang gras laag voor laag te werk vanaf de bovenkant. Neem kleine stroken.
- ◆ Houd het gereedschap uit de buurt van harde voorwerpen en fijne beplanting.
- ◆ Verminder de belasting als het gereedschap langzamer begint te draaien.

## Graskantsnijden

De beste resultaten worden bereikt op kanten die dieper zijn dan 50 mm.

- ◆ Gebruik het gereedschap niet voor het maken van kanten. Gebruik een spade om kanten te maken.
- ◆ Geleid het gereedschap zoals afgebeeld in fig. D.
- ◆ Houd het gereedschap een beetje schuin om een nauwkeuriger kant te snijden.

## Aanbrengen van een nieuwe draadspoel (fig. G)

Vervangende draadspoelen zijn verkrijgbaar bij uw Black & Decker-dealer (catalogusnummer: A6481).

- ◆ Houd de lippen (17) ingedrukt en verwijder het spoeldeksel (18) van de behuizing (12).
- ◆ Verwijder de lege spoel (19) uit de behuizing.
- ◆ Verwijder vuil en gras uit het spoeldeksel en de behuizing.
- ◆ Neem de nieuwe spoel en rol ca. 9 cm snijdraad af.
- ◆ Voer het snijdraad door het draadgat (20).
- ◆ Druk de spoel op de aandrijfas (21) en draai hem een beetje totdat hij vastzit. Zorg ervoor dat het snijdraad niet onder de spoel geklemd zit en dat 9 cm snijdraad uit de behuizing steekt.
- ◆ Houd de lippen op de draadspoel voor de gaten in de behuizing.
- ◆ Druk het deksel op de behuizing totdat het netjes op zijn plaats klikt.

**Waarschuwing!** Knip het snijdraad af als het verder dan het snijmes (13) uitsteekt zodat het draad het mes niet raakt.

## Winden van nieuwe draad op een lege spoel (fig. H & I)

Vervangende snijdraad is verkrijgbaar bij uw Black & Decker-dealer (catalogusnummer: A6170 (25 m) & A6171 (40 m)).

- ◆ Verwijder de lege spoel uit de machine zoals hierboven beschreven.
- ◆ Verwijder het oude snijdraad uit de spoel.
- ◆ Voer 2 cm snijdraad in een van de gaten (22) in de spoel zoals afgebeeld.
- ◆ Buig het snijdraad om en veranker het in de L-vormige sleuf (23).
- ◆ Wind het snijdraad op de spoel in de richting van de pijl (24). Zorg ervoor dat de draad netjes in lagen op de spoel wordt gewonden. Niet kriskras opwinden.
- ◆ Knip het snijdraad door zodra het opgewonden draad tot de uitsparingen (25) komt.



Laat de draad vanaf de spoel ca. 9 cm uitsteken en houd een vinger op de draad om hem op zijn plaats te houden.

- ◆ Ga verder te werk zoals hierboven beschreven om de spoel op het gereedschap aan te brengen.

**Waarschuwing!** Gebruik uitsluitend het geschikte type Black & Decker-snijdraad. Zorg ervoor dat op beide gedeelten van de spoel snijdraad zit.

## Berging

Laat bij voorkeur de accu op de oplader aangesloten als het gereedschap een aantal maanden niet wordt gebruikt.

Ga anders als volgt te werk:

- ◆ Laad de accu volledig op.
- ◆ Berg het gereedschap op een veilige en droge plaats op. De opslagtemperatuur moet altijd tussen +5 °C en +40 °C liggen.
- ◆ Laad de accu weer volledig op voordat u het gereedschap na langere periode van berging gaat gebruiken.

## Storingen verhelpen

Indien uw gereedschap niet naar behoren functioneert, volg dan onderstaande instructies. Als hierdoor het probleem niet wordt opgelost, kunt u contact opnemen met uw plaatselijke Black & Decker servicecentrum.

**Waarschuwing!** Voorkom een onbedoeld inschakelen van het gereedschap.

## Gereedschap draait langzaam

- ◆ Controleer of de behuizing van de spoel vrij kan ronddraaien. Maak indien nodig de behuizing schoon.
- ◆ Controleer of het snijdraad niet meer dan 11 cm uitsteekt vanaf de behuizing van de spoel. Knip indien dit wel het geval is de draad af zodat hij net het snijmes raakt.

## Automatische draadvoeding werkt niet

- ◆ Houd de lippen ingedrukt en verwijder het spoeldeksel van de behuizing.
- ◆ Trek aan het snijdraad totdat het 11 cm uitsteekt vanaf de behuizing. Plaats een nieuwe spoel met snijdraad (zie bovenstaande instructies) indien er onvoldoende snijdraad op de spoel is overgebleven.
- ◆ Houd de lippen op de draadspoel voor de uitsnijdingen in de behuizing.
- ◆ Druk het deksel op de behuizing totdat het netjes op zijn plaats klikt.
- ◆ Knip de snijdraad af als hij verder dan het snijmes uitsteekt zodat de draad het mes net raakt.

Indien de automatische draadvoeding nog steeds niet werkt of de spoel vastzit, probeer dan de volgende suggesties:

- ◆ Reinig zorgvuldig het deksel en de behuizing van de spoel.
- ◆ Verwijder de spoel en controleer of de hefboom vrij kan bewegen.

- ◆ Verwijder de spoel en wikkel de snijdraad af, wind het daarna weer netjes op de spoel zoals hierboven beschreven. Plaats de spoel terug volgens instructies.

## Onderhoud

Uw Black & Decker machine met/zonder snoer is ontworpen om gedurende langere periode te functioneren met een minimum aan onderhoud. Voortdurend tevreden gebruik is afhankelijk van correct onderhoud en regelmatig schoonmaken.

**Waarschuwing!** Vóór aanvang van onderhoudswerkzaamheden aan apparaten met/zonder snoer:

- ◆ Schakel het apparaat / de machine uit en haal de stekker uit het stopcontact.
- ◆ Of schakel het apparaat / de machine uit of verwijder de accu van het apparaat / de machine indien het apparaat / de machine een aparte accu heeft.
- ◆ Of laat de accu volledig leeglopen indien de accu geïntegreerd is en schakel vervolgens uit.
- ◆ Haal voor het reinigen van de oplader de stekker uit het stopcontact. Uw oplader behoeft geen ander onderhoud dan een regelmatige reiniging.
- ◆ Reinig regelmatig de ventilatieopeningen van uw apparaat/machine/oplader met behulp van een zachte borstel of een droge doek.
- ◆ Reinig regelmatig de behuizing van de motor met een vochtige doek. Gebruik geen schuur- of oplosmiddel bij het reinigen.
- ◆ Open regelmatig de boorhouder en tik zachtjes om eventueel stof uit de binnenkant te verwijderen (indien aanwezig).

## Milieu



Gescheiden inzameling. Dit product mag niet met het gewone huishoudelijke afval worden weggegooid.

Wanneer uw oude Black & Decker-product aan vervanging toe is of het u niet langer van dienst kan zijn, gooi het dan niet bij het huishoudelijk afval. Zorg ervoor dat het product gescheiden kan worden ingezameld.



Door gebruikte producten en verpakkingen gescheiden in te zamelen, worden de materialen gerecycled en opnieuw gebruikt. Hergebruik van gerecyclede materialen voorkomt milieuvuiling en vermindert de vraag naar grondstoffen.

Inzamelpunten voor gescheiden inzameling van elektrische huishoudproducten bij gemeentelijke vuilnisbergen of bij de verkoper waar u een nieuw product koopt, kunnen aan plaatselijke voorschriften gebonden zijn.

Black & Decker biedt de mogelijkheid tot inzamelen en recyclen van afgedankte Black & Decker producten. Om gebruik van deze service te maken, dient u het product aan een van onze servicecentra te sturen, die voor ons de inzameling verzorgen.

U kunt het adres van het dichtstbijzijnde servicecentrum opvragen via de adressen op de achterzijde van deze handleiding. U kunt ook een lijst van onze servicecentra en meer informatie m.b.t. onze klantenservice vinden op het volgende Internet-adres: [www.2helpU.com](http://www.2helpU.com)

### Accu's



Versleten accu's dienen op milieubewuste wijze te worden verwijderd.

- ◆ Sluit de accupolen niet kort.
- ◆ Gooi de accu('s) niet weg in vuur. Dit kan persoonlijk letsel of een explosie veroorzaken.
- ◆ Gebruik de energie van de accu helemaal op en verwijder hem dan van het gereedschap.
- ◆ Accu's zijn te recyclen. Plaats de accu('s) in een geschikte verpakking, zodat de accucontacten niet kunnen worden kortgesloten. Breng ze naar een servicecentrum of naar een plaatselijk verwerkingscentrum voor klein chemisch afval.

### Technische gegevens

		GLC13 H2
Spanning	$V_{DC}$	12
Onbelast toerental	$min^{-1}$	7.500
Gewicht	kg	3,2

Trilling op hand/arm volgens EN 786: < 2,5

### EG-conformiteitsverklaring

MACHINERICHTLIJN  
RICHTLIJN GELUID BUITENSHUIS



GLC13

Black & Decker verklaart dat deze producten, zoals onder "technische gegevens" beschreven, overeenkomstig zijn met: 98/37/EG (tot 28 dec. 2009), 2006/42/EG (vanaf 29 dec. 2009), 2004/108/EG, EN 60335-1, EN 60335-2-91

2000/14/EG, Grasmaaimachine,  $L \leq 50$  cm, Bijlage VIII

KEMA Quality B.V., Utrechtseweg 310, 6802 ED Arnhem, Nederland  
Notified Body ID No.: 0344

Niveau van het geluidsvermogen volgens 2000/14/EG (Artikel 12, Bijlage VIII,  $L \leq 50$  cm):  
 $L_{WA}$  (gemeten geluidsvermogen) 92 dB(A)  
 $L_{WA}$  (gegarandeerd geluidsvermogen) 94 dB(A)

Neem voor meer informatie contact op met Black & Decker via het volgende adres of zie de achterzijde van de handleiding.

De ondergetekende is verantwoordelijk voor de samenstelling van de technische gegevens en geeft deze verklaring namens Black & Decker.

Kevin Hewitt  
Vice-President Global Engineering  
Black & Decker Europe, 210 Bath Road, Slough,  
Berkshire, SL1 3YD  
Verenigd Koninkrijk  
10-12-2009

### Garantie

Black & Decker heeft vertrouwen in zijn producten en biedt een uitstekende garantie. Deze garantiebepalingen vormen een aanvulling op uw wettelijke rechten en beperken deze niet. De garantie geldt in de lidstaten van de Europese Unie en de Europese Vrijhandelsassociatie.

Mocht uw Black & Decker product binnen 24 maanden na datum van aankoop defect raken tengevolge van materiaal- of constructiefouten, dan garanderen wij de kosteloze vervanging van defecte onderdelen, de reparatie van het product of de vervanging van het product, tenzij:

- ◆ Het product is gebruikt voor handelsdoeleinden, professionele toepassingen of verhuurdoeleinden;
- ◆ Het product onoordeelkundig is gebruikt;
- ◆ Het product is beschadigd door invloeden van buitenaf of door een ongeval;
- ◆ Reparaties zijn uitgevoerd door anderen dan onze servicecentra of Black & Decker personeel.

Om een beroep op de garantie te doen, dient u een aankoopbewijs te overhandigen aan de verkoper of een van onze servicecentra. U kunt het adres van het dichtstbijzijnde servicecentrum opvragen via de adressen op de achterzijde van deze handleiding. U kunt ook een lijst van onze servicecentra en meer informatie m.b.t. onze klantenservice vinden op het volgende Internet-adres: **[www.2helpU.com](http://www.2helpU.com)**

Meld u aan op onze website **[www.blackanddecker.nl](http://www.blackanddecker.nl)** om te worden geïnformeerd over nieuwe producten en speciale aanbiedingen. Verdere informatie over het merk Black & Decker en onze producten vindt u op **[www.blackanddecker.nl](http://www.blackanddecker.nl)**

## Finalidad

El recortabordes Black & Decker se ha diseñado para recortar y rematar bordes de césped y para cortar el césped en espacios reducidos. Este aparato está pensado para su uso doméstico únicamente.

El cargador Black & Decker se ha diseñado para cargar la batería de la herramienta con la que se suministra.

## Instrucciones de seguridad

### Advertencias de seguridad generales del aparato



**¡Atención!** Cuando use aparatos eléctricos con cable/sin cable, debe seguir siempre las precauciones de seguridad básicas, incluidas las siguientes, a fin de reducir el riesgo de incendios, descarga eléctrica, lesiones personales y daños materiales.

- ◆ Lea completamente este manual antes de utilizar el aparato.
- ◆ En este manual se explica el uso previsto para este aparato. El uso de otros accesorios o adaptadores, o la propia utilización de este aparato en cualquier forma diferente de las recomendadas en este manual de instrucciones, puede constituir un riesgo de lesiones a las personas.

**Conserve todas las advertencias e instrucciones para su posterior consulta.** El término "aparato" empleado en las advertencias se refiere a aparatos con alimentación de red (con cable) o alimentados por batería (sin cable).

### Utilización del aparato

Tenga siempre cuidado cuando utilice este aparato.

- ◆ Mantenga limpia y bien iluminada el área de trabajo. El desorden o una iluminación deficiente en las áreas de trabajo pueden provocar accidentes.
- ◆ Utilice el aparato sólo a la luz del día o con una buena iluminación artificial.
- ◆ No utilice el aparato en un entorno con peligro de explosión, en el que se encuentren combustibles líquidos, gases o material en polvo.
- ◆ Nunca deje que el aparato sea utilizado por niños o por personas que no estén familiarizadas con las instrucciones de uso.
- ◆ No permita que niños, otras personas o animales se acerquen al área de trabajo ni toquen el cable eléctrico del aparato.
- ◆ Mantenga alejados a los niños, transeúntes y animales al utilizar el aparato. Una distracción le puede hacer perder el control.

- ◆ El aparato no debe utilizarse como un juguete.
- ◆ No sumerja el aparato en el agua.
- ◆ No abra la carcasa. No hay piezas reparables por el usuario en el interior.

### Seguridad personal

- ◆ Esté atento a lo que hace y emplee el aparato con prudencia. No utilice el aparato si está cansado, ni tampoco después de haber consumido alcohol, drogas o medicamentos. El no estar atento durante el uso de un aparato puede provocarle serias lesiones.
- ◆ Cuando sea necesario, utilice equipos de protección personal. Los equipos de protección tales como la protección ocular, una mascarilla antipolvo, zapatos de seguridad con suela antideslizante, casco o protectores auditivos, utilizados en condiciones adecuadas, contribuyen a reducir las lesiones personales.
- ◆ Evite una puesta en marcha involuntaria. Asegúrese de que el interruptor esté en la posición de apagado antes de conectar a la fuente de alimentación o la batería, coger o transportar el aparato. Si se transportan aparatos con el dedo sobre el interruptor o si se enchufan con el interruptor encendido pueden producirse accidentes.
- ◆ Sea precavido. Mantenga un apoyo firme sobre el suelo y conserve el equilibrio en todo momento. Ello le permitirá controlar mejor el aparato en caso de presentarse una situación inesperada.
- ◆ Lleve una indumentaria de trabajo adecuada. No lleve ropa ancha ni joyas. Mantenga su pelo, vestimenta y guantes alejados de las piezas móviles. La vestimenta suelta, las joyas y el pelo largo se pueden enganchar con las piezas en movimiento.

### Uso y cuidado del aparato

- ◆ Antes del uso, revise el aparato para ver si está dañado o tiene piezas defectuosas. Compruebe si hay alguna pieza rota, algún interruptor dañado o cualquier cosa que pudiera afectar a su funcionamiento.
- ◆ No utilice el aparato si no es posible apagarlo y encenderlo con el interruptor. Los aparatos que no se puedan conectar o desconectar son peligrosos y deben hacerse reparar.
- ◆ Desconecte el enchufe de la fuente eléctrica y/o la batería del aparato antes de realizar ajustes, cambiar accesorios o almacenarlo. Esta medida preventiva reduce el riesgo de conectar accidentalmente el aparato.
- ◆ Cuando corresponda, mantenga las herramientas de corte limpias y afiladas. Las herramientas de corte mantenidas correctamente se dejan guiar y controlar mejor.
- ◆ No utilice el aparato si hay alguna pieza dañada o defectuosa.
- ◆ Encargue al servicio técnico autorizado que repare o sustituya las piezas defectuosas o averiadas.

- ◆ Nunca intente extraer o sustituir ninguna de las piezas que no sean las especificadas en este manual.

### Seguridad eléctrica

- ◆ El enchufe del aparato debe corresponder a la toma de corriente utilizada. No es admisible modificar el enchufe en forma alguna. No emplee adaptadores en aparatos dotados con una toma de tierra. Los enchufes sin modificar adecuados a las respectivas tomas de corriente reducen el riesgo de una descarga eléctrica.
- ◆ No exponga los aparatos a la lluvia y evite que penetren líquidos en su interior. Existe el riesgo de descarga eléctrica si penetran ciertos líquidos en el aparato.
- ◆ Cuide el cable eléctrico. No utilice el cable eléctrico para transportar o colgar el aparato, ni tire de él para sacar el enchufe de la toma de corriente. Mantenga el cable eléctrico alejado del calor, aceite, bordes afilados o piezas móviles. Los cables eléctricos dañados o enredados pueden provocar una descarga eléctrica.
- ◆ Cuando corresponda. Al trabajar con el aparato en la intemperie utilice solamente cables alargadores homologados para su uso en exteriores. La utilización de un cable alargador adecuado para su uso en exteriores reduce el riesgo de una descarga eléctrica.
- ◆ Si fuera inevitable la utilización de un aparato en un lugar húmedo, utilice un suministro protegido con un dispositivo de corriente residual (DCR). La utilización de un dispositivo de corriente residual reduce el riesgo de descarga eléctrica.

### Uso y cuidado de herramientas con batería (sólo aparatos sin cable)

- ◆ Recargue la batería únicamente con el cargador especificado por el fabricante. Un cargador adecuado para un tipo de batería puede provocar un incendio si se utiliza con otra batería.
- ◆ Use los aparatos únicamente con las baterías específicamente designadas. El uso de cualquier otra batería puede provocar lesiones o un incendio.
- ◆ Cuando no utilice la batería, manténgala alejada de objetos metálicos como clips, monedas, llaves, clavos, tornillos, o cualquier otro objeto metálico pequeño que pueda dar lugar a una conexión entre los terminales. El cortocircuito entre los terminales de la batería puede ocasionar quemaduras o un incendio.
- ◆ Un mal uso puede dar lugar a que la batería pierda líquido; evite cualquier contacto con el líquido. Si accidentalmente entra en contacto con el líquido, enjuáguese con agua. Si le entra líquido en los ojos, busque rápidamente asistencia médica. El líquido que pierde la batería puede ocasionar irritación o quemaduras.

### Después del uso

- ◆ Los aparatos que no se utilizan, deben almacenarse en un lugar seco y bien ventilado, fuera del alcance de los niños.
- ◆ Los niños no deben tener acceso a los aparatos guardados.
- ◆ Cuando el aparato se almacene o transporte en un vehículo, éste debe colocarse en el maletero o debe sujetarse para evitar posibles movimientos tras cambios súbitos de velocidad o dirección.

### Servicio técnico

- ◆ Haga reparar su aparato sólo por personal técnico autorizado que emplee exclusivamente piezas de repuesto originales. Solamente así se garantiza la seguridad del aparato.

### Instrucciones de seguridad adicionales para recortabordes

Encontrará los siguientes símbolos de advertencia en la herramienta:



Antes de iniciar las operaciones, lea el manual.



Lleve gafas de cristal inastillable o protectoras cuando utilice esta herramienta.



Mantenga a las personas y animales a una distancia mínima de 6 m del área de corte.



No exponga la herramienta a la lluvia o a una humedad elevada.

- ◆ Familiarícese con los mandos y el uso adecuado de la herramienta.
- ◆ Utilice la herramienta sólo a la luz del día o con una buena iluminación artificial.
- ◆ Antes del uso, compruebe que el cable eléctrico y el alargador no presenten señales de daños, envejecimiento o desgaste. Si un cable resulta dañado durante el uso, desconecte éste de la red eléctrica inmediatamente. **NO TOQUE EL CABLE ANTES DE DESCONECTAR LA CORRIENTE.**
- ◆ No use la herramienta si los cables están desgastados o dañados.
- ◆ Lleve zapatos resistentes o botas para protegerse los pies.
- ◆ Lleve pantalones largos para protegerse las piernas.
- ◆ Antes de usar la herramienta, compruebe que el trayecto de corte está libre de palos, piedras, cables o cualquier otro obstáculo.

- ◆ Use la herramienta únicamente en posición vertical, con el hilo de corte próximo al suelo. Nunca encienda la herramienta en ninguna otra posición.
- ◆ Muévase lentamente mientras use la herramienta. Tenga en cuenta que el césped recién cortado está húmedo y resbaladizo.
- ◆ No trabaje en pendientes empinadas. Trabaje a lo ancho en las pendientes, no hacia arriba y abajo.
- ◆ No cruce nunca caminos de grava o carreteras con la herramienta funcionando.
- ◆ No toque nunca el hilo de corte mientras la herramienta esté funcionando.
- ◆ No suelte la herramienta hasta que el hilo de corte se haya parado totalmente.
- ◆ Use únicamente el tipo adecuado de hilo de corte. Nunca use hilos de corte metálicos ni sedal de pesca.
- ◆ Tenga cuidado de no tocar la hoja ribeteadora.
- ◆ Tenga cuidado para mantener el cable de red alejado del hilo de corte. No pierda de vista el cable en ningún momento.
- ◆ Mantenga en todo momento las manos y los pies alejados del hilo de corte, especialmente al poner en marcha el motor.
- ◆ ¡Atención! Los elementos de corte continúan girando después de desconectar la herramienta.
- ◆ Nunca accione la herramienta con las protecciones dañadas o sin que estén colocadas en su posición.
- ◆ Compruebe siempre que las ranuras de ventilación estén libres de residuos.
- ◆ Antes de utilizar el aparato y después de un golpe, compruebe si presenta indicios de desgaste o daños y haga que lo reparen, si fuera necesario.
- ◆ Tenga cuidado de las posibles lesiones debidas a dispositivos montados para recortar la longitud del hilo. Después de colocar un nuevo hilo de corte, siempre ponga la máquina en su posición de trabajo normal antes de encenderla.
- ◆ No utilice el recortabordes si los cables están desgastados o dañados.
- ◆ Mantenga los cables alargadores lejos de los elementos de corte.

## Seguridad de otras personas

- ◆ Este aparato no está destinado para ser utilizado por personas (niños incluidos) con capacidades físicas, sensoriales o mentales reducidas, o que carezcan de experiencia y conocimiento, a menos que reciban supervisión o instrucción respecto al uso del aparato por una persona responsable de su seguridad.
- ◆ Debe vigilarse a los niños para asegurarse de que no jueguen con el aparato.

## Instrucciones de seguridad adicionales para baterías y cargadores

### Baterías

- ◆ Nunca, por ningún motivo, trate de abrir las baterías.
- ◆ No exponga la batería al agua.
- ◆ No la almacene en lugares donde la temperatura pueda sobrepasar los 40° C.
- ◆ Cargue las baterías únicamente a temperaturas entre 10° y 40° C.
- ◆ Recargue utilizando únicamente el cargador suministrado con el aparato/la herramienta. Si se utiliza un cargador no adecuado podría producirse una descarga eléctrica o un sobrecalentamiento de la batería.
- ◆ Cuando deseche las baterías, siga las instrucciones indicadas en la sección "Protección del medio ambiente".
- ◆ No dañe/deforme la batería mediante perforaciones o impactos, ya que esto puede generar un riesgo de lesiones e incendio.
- ◆ No cargue una batería que haya sufrido daños.
- ◆ Bajo condiciones extremas, las baterías podrían perder líquido. Cuando observe la presencia de líquido en las baterías, limpie éste con cuidado utilizando un paño. Evite el contacto con la piel.
- ◆ En caso de producirse contacto con la piel o los ojos, siga estas instrucciones.

**¡Atención!** El líquido de las baterías puede provocar lesiones personales o daños materiales. En caso de que entre en contacto con la piel, lávese inmediatamente con agua. En caso de producirse enrojecimiento, dolor o irritación, acuda a un médico. En caso de contacto con los ojos, enjuáguelos inmediatamente con agua limpia y acuda al médico.

### Cargadores

El cargador ha sido diseñado para una tensión determinada. Compruebe siempre que la tensión de la red corresponda al valor indicado en la placa de características.

**¡Atención!** Nunca intente sustituir el cargador por un enchufe normal a la red.

- ◆ Use el cargador Black & Decker únicamente para cargar baterías del tipo suministrado. Otras baterías podrían estallar, causando daños y lesiones personales.
- ◆ Nunca intente cargar baterías no recargables.
- ◆ Si el cable eléctrico está estropeado, debe ser sustituido por el fabricante o un servicio técnico autorizado de Black & Decker con el fin de evitar accidentes.
- ◆ No exponga el cargador al agua.
- ◆ No abra el cargador.
- ◆ No manipule el cargador.
- ◆ El aparato/la herramienta/la batería debe colocarse en un lugar bien ventilado durante la carga.

Encontrará los siguientes símbolos en la batería:



¡Peligro de incendio! Evite que se produzcan cortocircuitos entre los terminales de una batería desconectada (por ejemplo, al almacenar la batería en una caja de herramientas).



No arroje la batería al fuego.

Encontrará los siguientes símbolos en el cargador:



El cargador está pensado únicamente para su uso en interiores.

### Etiquetas sobre el aparato

Encontrará los siguientes símbolos de advertencia en el aparato:



Antes de iniciar las operaciones, lea el manual.



Lleve gafas de cristal inastillable o protectoras cuando utilice el aparato.



Mantenga a las personas y animales a una distancia mínima de 6 m del área de corte.



No exponga el aparato a la lluvia o a una humedad elevada.

### Seguridad eléctrica



El cargador lleva un doble aislamiento; por lo tanto no requiere una toma a tierra. Compruebe siempre que la tensión de la red corresponda al valor indicado en la placa de características.

- ◆ Si el cable eléctrico está estropeado, debe ser sustituido por el fabricante o un servicio técnico autorizado de Black & Decker con el fin de evitar accidentes.
- ◆ **¡Atención!** No intente nunca sustituir el cargador por un enchufe normal a la red.

### Características

Esta herramienta incluye alguna o todas las características siguientes.

1. Interruptor de encendido/apagado
2. Botón de desbloqueo
3. Empuñadura
4. Empuñadura secundaria
5. Anillo de ajuste de altura
6. Tubo
7. Anillo de ajuste de modo

8. Cabezal
9. Guía para rebordear
10. Protección
11. Hilo de corte
12. Alojamiento de la bobina
13. Hoja ribeteadora

### Montaje

**¡Atención!** Evite la puesta en marcha accidental de la herramienta durante su montaje.

#### Montaje de la protección (fig. A)

- ◆ Coloque la protección (10) en la herramienta como se muestra.
- ◆ Presione firmemente sobre la protección hasta que encaje en su posición.
- ◆ Fije la protección con el tornillo (14).

**¡Atención!** Nunca utilice la herramienta sin la protección debidamente montada en su sitio.

#### Desbloqueo del hilo de corte

Durante su transporte, el hilo de corte está adherido al alojamiento de la bobina.

- ◆ Retire la cinta que sujeta el hilo de corte (11) al alojamiento de la bobina (12).

### Uso

**¡Atención!** Deje que la herramienta funcione a su ritmo. No lo sobrecargue.

#### Carga de la batería (fig. B)

La batería debe cargarse antes de usar la herramienta por primera vez y siempre que no tenga la suficiente potencia para las tareas que antes se realizaban fácilmente. Cuando cargue la batería por primera vez, o después de un prolongado almacenaje, sólo obtendrá una carga del 80%. Después de varios ciclos de carga y descarga, la batería alcanzará su capacidad máxima. Durante la carga, la batería podría calentarse; esto es normal y no indica ningún problema.

- ◆ Inserte el enchufe del cargador (15) en el conector del cargador (16) de la parte trasera de la herramienta.
- ◆ Enchufe el cargador a una toma de red.
- ◆ Conecte la corriente de red.

La batería puede dejarse conectada al cargador indefinidamente.

- ◆ Cuando desee usar la herramienta, quite el conector del cargador de la herramienta y desenchufe el cargador.

Para prolongar la vida de la batería, se recomienda mantener la batería conectada al cargador cuando no se esté usando la herramienta. Cuando la batería está totalmente cargada, el consumo de energía del cargador es nulo.

## Ajuste de la herramienta en modo de recorte de bordes o de ribeteado (fig. C - E)

La herramienta puede usarse en modo de recorte de bordes como se muestra en la fig. C o en modo de ribeteado para recortar el césped que sobresale de bordes y parterres como se muestra en la fig. D.

### Modo de recorte de bordes (figs. C & E)

Para recortar, el cabezal del recortabordes debe estar en la posición mostrada en la fig. C. Si no lo está:

- ◆ Mientras sujeta la empuñadura secundaria (4) con una mano, coja el anillo (7) con la otra mano.
- ◆ Empuje el anillo en la dirección del cabezal del recortabordes y gírelo en sentido contrario a las agujas del reloj hasta que el cabezal del recortabordes encaje en la posición para recortar bordes.
- ◆ Suelte el anillo.
- ◆ Ajuste la guía para rebordear (9) en la posición retrasada.

### Modo de ribeteado (fig. D & E)

Para ribetear, el cabezal del recortabordes debe estar en la posición indicada en la fig. D. Si no lo está:

- ◆ Mientras sujeta la empuñadura secundaria (4) con una mano, coja el anillo (7) con la otra mano.
- ◆ Empuje el anillo en la dirección del cabezal del recortabordes y gírelo en el sentido de las agujas del reloj hasta que el cabezal del recortabordes encaje en la posición para recortar bordes.
- ◆ Suelte el anillo.
- ◆ Ajuste la guía para rebordear (9) en la posición extendida.

## Ajuste de la altura de la herramienta (fig. F)

El tubo telescópico (6) le permite ajustar la herramienta a una altura cómoda.

- ◆ Afloje el anillo (5).
- ◆ Para aumentar la altura, deslice el tubo hacia fuera.
- ◆ Para reducir la altura, deslice el tubo hacia dentro.
- ◆ Apriete el anillo.

## Encendido y apagado

Para su seguridad, esta herramienta viene equipada con un sistema de doble interruptor. Este sistema evita que la herramienta se ponga en marcha inesperadamente.

### Encendido

- ◆ Empuje el botón de desbloqueo (2) hacia atrás usando el pulgar y al mismo tiempo apriete el interruptor de encendido/apagado (1).
- ◆ Suelte el botón de desbloqueo.

### Apagado

- ◆ Suelte el interruptor de encendido/apagado (1).

**¡Atención!** Nunca intente bloquear la palanca de gatillo en la posición de encendido.

## Consejos para un uso óptimo

### Generalidades

- ◆ Para lograr un corte óptimo, corte únicamente el césped que esté seco.

### Recorte de bordes

- ◆ Sujete la herramienta como se muestra en la fig. C.
- ◆ Bascule suavemente el recortabordes de un lado a otro.
- ◆ Cuando corte un césped alto, realice el trabajo por etapas empezando por la parte superior. Haga cortes pequeños.
- ◆ Mantenga la herramienta alejada de objetos duros y plantas delicadas.
- ◆ Si la herramienta empieza a funcionar lentamente, reduzca la carga.

### Ribeteado

Los mejores resultados de corte se consiguen en bordes de profundidad superior a 50 mm.

- ◆ No use la herramienta para crear bordes. Para crear bordes, use una azada ribeteadora.
- ◆ Guíe la herramienta como se muestra en la fig. D.
- ◆ Para un corte más apurado, incline ligeramente la herramienta.

## Colocación de una nueva bobina de hilo de corte (fig. G)

Su distribuidor Black & Decker dispone de bobinas de repuesto de hilo de corte (número de catálogo: A6481).

- ◆ Mantenga presionadas las pestañas (17) y retire la tapa de la bobina (18) del alojamiento (12).
- ◆ Retire la bobina vacía (19) de su alojamiento.
- ◆ Retire la suciedad o residuos de la tapa de la bobina y de su alojamiento.
- ◆ Tome la nueva bobina y desenrolle unos 9 cm de hilo de corte.
- ◆ Introduzca el hilo de corte a través del ojal (20).
- ◆ Introduzca la bobina en el eje de accionamiento (21) y gírela ligeramente hasta que quede asentada. Asegúrese de que el hilo de corte no quede atrapado bajo la bobina y de que sobresalgan unos 9 cm de hilo de corte del alojamiento.
- ◆ Alinee las pestañas de la tapa de la bobina con los orificios del alojamiento.
- ◆ Ponga la tapa sobre el alojamiento hasta que encaje firmemente en su posición.

**¡Atención!** Si los hilos de corte sobresalen más allá de la hoja ribeteadora (13), córtelos de forma que lleguen justo hasta la hoja.



## Enrollado de un nuevo hilo de corte en una bobina vacía (fig. H & I)

Su distribuidor Black & Decker dispone de paquetes de repuesto de hilo de corte (número de catálogo:

A6170 (25 m) & A6171 (40 m)).

- ◆ Retire la bobina vacía de la herramienta como se ha descrito anteriormente.
- ◆ Extraiga el hilo de corte restante de la bobina.
- ◆ Introduzca unos 2 cm de hilo de corte en uno de los orificios (22) de la bobina como se indica.
- ◆ Doble el hilo de corte y fíjelo en la ranura en forma de L (23).
- ◆ Enrolle el hilo de corte en la bobina de hilo en la dirección de la flecha (24). Asegúrese de enrollar el hilo de corte cuidadosamente, formando capas. Evite que el hilo de corte se entrecruce.
- ◆ Cuando el hilo de corte enrollado alcance las ranuras (25), córtelo. Deje que el hilo de corte sobresalga aprox. unos 9 cm de la bobina y sujételo con un dedo para mantenerlo en su sitio.
- ◆ Proceda como se ha descrito anteriormente para colocar la bobina en la herramienta.

**¡Atención!** Use únicamente el tipo adecuado de hilo de corte Black & Decker. Asegúrese de que haya hilo de corte en ambas secciones de la bobina.

## Almacenamiento

Cuando la herramienta no se usa durante varios meses, resulta muy conveniente dejar la batería conectada al cargador. En caso contrario, proceda del modo siguiente:

- ◆ Cargue totalmente la batería.
- ◆ Guarde la herramienta en un lugar seco y seguro. La temperatura de almacenaje debe permanecer siempre entre +5° y +40° C.
- ◆ Antes de volver a usar la herramienta tras un almacenamiento prolongado, cargue de nuevo totalmente la batería.

## Solución de problemas

Si su herramienta no funciona adecuadamente, siga estas instrucciones. Si esto no soluciona el problema, póngase en contacto con el servicio técnico de Black & Decker de su zona.

**¡Atención!** Evite la puesta en marcha accidental de la herramienta.

## La herramienta funciona lentamente

- ◆ Compruebe que el alojamiento de la bobina pueda girar libremente. Límpiolo con cuidado si fuera necesario.
- ◆ Compruebe que el hilo de corte no sobresalga más de 11 cm del alojamiento de la bobina. Si así fuera, corte lo que sobre para que llegue justo hasta la hoja ribeteadora.

## No funciona el avance automático del hilo de corte.

- ◆ Mantenga presionadas las pestañas y retire la tapa de la bobina del alojamiento.
  - ◆ Saque el hilo de corte hasta que sobresalga 11 cm del alojamiento. Si no queda suficiente hilo de corte en la bobina, instale uno nuevo como se ha indicado anteriormente.
  - ◆ Alinee las pestañas de la tapa de la bobina con los cortes del alojamiento.
  - ◆ Ponga la tapa sobre el alojamiento hasta que encaje firmemente en su posición.
  - ◆ Si el hilo de corte sobresale más allá de la hoja ribeteadora, córtelo para que llegue justo hasta la hoja.
- Si el avance automático del hilo de corte sigue sin funcionar o se ha atascado la bobina, intente las siguientes acciones:
- ◆ Limpie con cuidado la tapa y el alojamiento de la bobina.
  - ◆ Retire la bobina y compruebe si la palanca se mueve libremente.
  - ◆ Retire la bobina y desenrolle el hilo de corte, luego enróllelo nuevamente con cuidado como se ha descrito antes. Sustituya la bobina como se indica.

## Mantenimiento

El aparato/la herramienta Black & Decker con cable/sin cable se ha diseñado para funcionar durante un largo período de tiempo con un mantenimiento mínimo. El funcionamiento satisfactorio continuado depende de un cuidado apropiado y una limpieza periódica de la herramienta.

**¡Atención!** Antes de realizar tareas de mantenimiento en herramientas eléctricas con/sin cable:

- ◆ Apague y desenchufe el aparato/la herramienta.
- ◆ O apague y retire la batería del aparato/la herramienta si el aparato/la herramienta tiene una batería aparte.
- ◆ O agote totalmente la batería si está integrada y, a continuación, apague.
- ◆ Desenchufe el cargador antes de limpiarlo. Su cargador no requiere ningún mantenimiento aparte de una limpieza periódica.
- ◆ Limpie periódicamente las ranuras de ventilación del aparato/la herramienta/el cargador con un cepillo suave o un paño seco.
- ◆ Limpie periódicamente la carcasa del motor con un paño húmedo. No utilice ninguna sustancia limpiadora abrasiva o que contenga disolventes.
- ◆ Abra periódicamente el portabrocas y golpéelo suavemente para extraer el polvo del interior (si está equipado).

## Protección del medio ambiente



Separación de desechos. Este producto no debe desecharse con la basura doméstica normal.

Si llega el momento de reemplazar su producto Black & Decker o éste ha dejado de tener utilidad para usted, no lo deseche con la basura doméstica normal. Asegúrese de que este producto se deseche por separado.



La separación de desechos de productos usados y embalajes permite que los materiales puedan reciclarse y reutilizarse. La reutilización de materiales reciclados ayuda a evitar la contaminación medioambiental y reduce la demanda de materias primas.

La normativa local puede prever la separación de desechos de productos eléctricos de uso doméstico en centros municipales de recogida de desechos o a través del distribuidor cuando adquiere un nuevo producto.

Black & Decker proporciona facilidades para la recogida y el reciclado de los productos Black & Decker que hayan llegado al final de su vida útil. Para hacer uso de este servicio, devuelva su producto a cualquier servicio técnico autorizado, que lo recogerá en nuestro nombre.

Pueden consultar la dirección de su servicio técnico más cercano poniéndose en contacto con la oficina local de Black & Decker en la dirección que se indica en este manual. Como alternativa, puede consultar en Internet la lista de servicios técnicos autorizados e información completa de nuestros servicios de posventa y contactos en la siguiente dirección: [www.2helpU.com](http://www.2helpU.com)

## Baterías



Al final de su vida útil, deseche las baterías con el debido respeto al medio ambiente.

- ◆ No ponga en cortocircuito los terminales de las baterías.
- ◆ No arroje la batería al fuego ya que esto podría suponer un riesgo de lesiones personales o explosión.
- ◆ Utilice la batería hasta que se agote por completo y luego retírela de la herramienta.
- ◆ Las baterías son reciclables. Coloque la batería en un embalaje adecuado para garantizar que sus terminales no puedan entrar en cortocircuito. Llévelas a cualquier servicio técnico autorizado o a un centro de reciclado.

## Características técnicas

	GLC13 H2
Voltaje	V <sub>DC</sub> 12
Velocidad sin carga	min <sup>-1</sup> 7.500
Peso	kg 3,2

Valor de la vibración ponderada en mano/brazo según EN 786: < 2,5

## Declaración de conformidad CE

DIRECTIVA SOBRE MÁQUINAS  
DIRECTIVA SOBRE EMISIONES SONORAS EN EL ENTORNO



GLC13

Black & Decker declara que los productos descritos en "características técnicas" son conformes con: 98/37/CE (hasta el 28 de diciembre de 2009), 2006/42/CE (a partir del 29 de diciembre de 2009), 2004/108/CE, EN 60335-1, EN 60335-2-91

2000/14/CE, Cortacésped, L ≤ 50 cm, Anexo VIII

KEMA Quality B.V., Utrechtseweg 310, 6802 ED Arnhem, Países Bajos

Nº de ID de organismo notificado: 0344

Nivel de potencia acústica de conformidad con 2000/14/CE (Artículo 12, Anexo VIII, L ≤ 50 cm):

L<sub>WA</sub> (potencia acústica medida) 92 dB(A)

L<sub>WA</sub> (potencia acústica garantizada) 94 dB(A)

Si desea información adicional, contacte con Black & Decker en la siguiente dirección o consulte el dorso de este manual.

El abajofirmante es responsable de la compilación del archivo técnico y hace esta declaración en nombre de Black & Decker.

Kevin Hewitt

Vice-President Global Engineering  
Black & Decker Europe, 210 Bath Road, Slough,  
Berkshire, SL1 3YD  
Reino Unido  
10-12-2009

## Garantía

Black & Decker confía plenamente en la calidad de sus productos y ofrece una garantía extraordinaria. Esta declaración de garantía es una añadido, y en ningún caso un perjuicio para sus derechos estatutarios. La garantía es válida dentro de los territorios de los Estados Miembros de la Unión Europea y de los de la Zona Europea de Libre Comercio.

Si un producto Black & Decker resultará defectuoso debido a materiales o mano de obra defectuosos o a la falta de conformidad, Black & Decker garantiza, dentro de los 24 meses de la fecha de compra, la sustitución de las piezas defectuosas, la reparación de los productos sujetos a un desgaste y rotura razonables o la sustitución de tales productos para garantizar al cliente el mínimo de inconvenientes, a menos que:

- ◆ El producto haya sido utilizado con propósitos comerciales, profesionales o de alquiler;
- ◆ El producto haya sido sometido a un uso inadecuado o negligente;
- ◆ El producto haya sufrido daños causados por objetos o sustancias extrañas o accidentes;
- ◆ Se hayan realizado reparaciones por parte de personas que no sean los servicios de reparación autorizados o personal de servicios de Black & Decker.

Para reclamar en garantía, será necesario que presente la prueba de compra al vendedor o al servicio técnico de reparaciones autorizado. Pueden consultar la dirección de su servicio técnico más cercano poniéndose en contacto con la oficina local de Black & Decker en la dirección que se indica en este manual. Como alternativa, se puede consultar en Internet, en la dirección siguiente, la lista de servicios técnicos autorizados e información completa de nuestros servicios de postventa y contactos: **[www.2helpU.com](http://www.2helpU.com)**

Visite nuestro sitio web **[www.blackanddecker.eu](http://www.blackanddecker.eu)** para registrar su nuevo producto Black & Decker y mantenerse al día sobre nuestros productos y ofertas especiales. Encontrará información adicional sobre la marca Black & Decker y nuestra gama de productos en **[www.blackanddecker.eu](http://www.blackanddecker.eu)**

## Utilização

O aparador da Black & Decker foi concebido para aparar e acertar orlas, bem como cortar relva em espaços limitados. Este aparelho destina-se exclusivamente ao uso doméstico.

O carregador Black & Decker foi desenvolvido para carregar a bateria da ferramenta com a qual foi fornecido.

## Instruções de segurança

### Avisos de segurança gerais para aparelhos



**Advertência!** Ao utilizar aparelhos eléctricos/sem fios, é preciso seguir sempre as precauções básicas para a segurança, incluindo as detalhadas a seguir, para diminuir os riscos de incêndio, choque eléctrico, ferimentos pessoais e danos materiais.

- ◆ Leia atentamente este manual antes de utilizar o aparelho.
- ◆ Neste manual indicam-se as utilizações previstas para o aparelho. O uso de qualquer acessório, extensão ou do próprio aparelho em situações diferentes das recomendadas neste manual de instruções pode representar risco de ferimentos pessoais.

### Guarde todos os avisos e instruções para futura referência.

O termo "aparelho", utilizado nos avisos, refere-se a aparelhos com ligação à corrente eléctrica (com fios) ou alimentados a bateria (sem fios).

### Utilização do aparelho

Tenha sempre cuidado ao utilizar o aparelho.

- ◆ Mantenha a sua área de trabalho limpa e bem iluminada. Desordem ou áreas de trabalho com fraca iluminação podem causar acidentes.
- ◆ Utilize o aparelho apenas durante o dia ou com boa iluminação artificial.
- ◆ Não utilize o aparelho em áreas com risco de explosão, nas quais se encontrem líquidos, gases ou pós inflamáveis.
- ◆ Crianças ou qualquer pessoa que não tenha lido este manual de instruções ou não esteja familiarizada com o aparelho não o deverá utilizar.
- ◆ Não permita que crianças ou animais cheguem perto da área de trabalho ou toquem no cabo de alimentação do aparelho.
- ◆ Mantenha crianças, outras pessoas e animais afastados durante a utilização de um aparelho. As distrações podem dar origem a que perca o controlo do aparelho.
- ◆ O aparelho não deve ser utilizado como um brinquedo.
- ◆ Não permita que o aparelho seja imerso em água.
- ◆ Não abra o corpo do aparelho. Não existem quaisquer peças passíveis de manutenção por parte do utilizador no seu interior.

## Segurança pessoal

- ◆ Mantenha-se atento, observe o que está a fazer e seja prudente durante a utilização de um aparelho. Não use o aparelho se estiver cansado ou sob a influência de drogas, álcool ou medicamentos. Um momento de falta de atenção durante a utilização de um aparelho pode causar graves ferimentos pessoais.
- ◆ Onde necessário, use equipamento de protecção pessoal. A utilização de equipamento de protecção pessoal, como por exemplo, protecção ocular, máscara de protecção contra pó, calçado de segurança anti-derrapante, capacete de segurança ou protecção auricular, de acordo com o tipo e aplicação do aparelho, reduz o risco de ferimentos pessoais.
- ◆ Evite o accionamento involuntário. Certifique-se de que o interruptor está na posição desligada antes de ligar o aparelho à corrente eléctrica ou a uma bateria, antes de elevar ou transportar o mesmo. O transporte de aparelhos com o dedo no interruptor ou a ligação dos mesmos à corrente eléctrica com o interruptor ligado pode dar origem a acidentes.
- ◆ Não arrisque. Mantenha-se sempre bem posicionado e em equilíbrio. Desta forma, poderá ser mais fácil controlar o aparelho em situações inesperadas.
- ◆ Utilize vestuário adequado. Não utilize roupas largas nem jóias. Mantenha o cabelo, roupa e luvas afastados de peças em movimento. Roupas largas, jóias ou cabelos longos podem ser ficar presos nas peças em movimento.

## Utilização e manutenção do aparelho

- ◆ Antes de utilizar o aparelho, verifique se existem danos ou defeitos nas peças. Verifique se existem peças partidas, interruptores danificados ou quaisquer outros problemas que possam afectar o funcionamento do mesmo.
- ◆ Não utilize o aparelho se o interruptor não o ligar ou desligar. Qualquer aparelho que não possa ser controlado através do interruptor é perigoso e deve ser reparado.
- ◆ Desligue a ficha da tomada e/ou a bateria do aparelho antes de efectuar quaisquer ajustes, substituir acessórios ou armazenar aparelhos. Esta medida de segurança evita que o aparelho seja ligado acidentalmente.
- ◆ Sempre que aplicável, mantenha as ferramentas de corte afiadas e limpas. As ferramentas de corte, sujeitas a uma manutenção adequada e com extremidades de corte afiadas, emperram com menos frequência e podem ser controladas com maior facilidade.
- ◆ Não utilize o aparelho se houver alguma peça defeituosa ou danificada.
- ◆ Qualquer peça defeituosa ou danificada deverá ser reparada ou substituída por um técnico autorizado.
- ◆ Nunca tente remover nem substituir peças por outras que não as especificadas neste manual.

## Segurança eléctrica

- ◆ As fichas do aparelho devem caber na tomada. A ficha não deve ser modificada de modo algum. Não utilize quaisquer fichas de adaptação com aparelhos ligados à terra. Fichas inalteradas e tomadas adequadas reduzem o risco de choques eléctricos.
- ◆ Os aparelhos não devem ser expostos à chuva nem a humidade. A penetração de água num aparelho aumenta o risco de choques eléctricos.
- ◆ Manuseie o cabo com cuidado. O cabo do aparelho não deve ser utilizado para transportar, puxar o aparelho, nem para retirar a ficha da tomada. Mantenha o cabo afastado de calor, óleo, cantos afiados ou peças em movimento. Cabos danificados ou torcidos aumentam o risco de choques eléctricos.
- ◆ Sempre que apropriado. Ao trabalhar com um aparelho ao ar livre, use um cabo de extensão apropriado para utilização no exterior. O uso de um cabo apropriado para utilização no exterior reduz o risco de choques eléctricos.
- ◆ Quando a utilização de um aparelho num local húmido é inevitável, utilize uma fonte de alimentação protegida com um dispositivo de corrente residual (RCD). A utilização de um RCD reduz o risco de choques eléctricos.

## Utilização e manutenção da bateria (apenas aparelhos sem fios)

- ◆ Recarregue apenas com o carregador especificado pelo fabricante. Um carregador que seja adequado a um tipo de bateria pode causar risco de incêndio quando utilizado com outro tipo de bateria.
- ◆ Utilize os aparelhos apenas com as baterias especificamente designadas. A utilização de outro tipo de bateria pode causar risco de ferimentos e incêndio.
- ◆ Quando a bateria não está a ser utilizada, mantenha-a afastada de quaisquer outros objectos metálicos, como clips de papel, moedas, chaves, pregos, parafusos ou outros objectos metálicos pequenos que possam efectuar a ligação de um terminal a outro. O contacto de ambos os terminais da bateria pode causar queimaduras ou incêndio.
- ◆ Em condições abusivas, o líquido pode ser ejectado da bateria; evite o contacto. Caso isso aconteça, lave com água. Caso o líquido entre em contacto com os olhos, procure ajuda médica. O líquido ejectado da bateria pode causar irritação ou queimaduras.

## Após a utilização

- ◆ Quando não estiver a ser utilizado, o aparelho deve ser armazenado num local seco, bem ventilado, fora do alcance de crianças.
- ◆ Guarde o aparelho fora do alcance das crianças.

- ◆ Sempre que o aparelho for armazenado ou transportado num veículo, deverá ser colocado na mala ou restringido, para evitar deslocações após uma alteração repentina na velocidade ou direcção.

## Reparação

- ◆ O seu aparelho só deve ser reparado por pessoal qualificado e só devem ser colocadas peças sobressalentes originais. Desta forma, é assegurada a segurança do aparelho.

## Instruções adicionais de segurança para aparadores de relva

Os símbolos de advertência a seguir encontram-se na ferramenta:



Leia o manual antes de utilizar o produto.



Utilize óculos de segurança durante o funcionamento da ferramenta.



Mantenha as pessoas a uma distância mínima de 6 m da área de corte.



Não exponha a ferramenta a chuva nem a humidade excessiva.

- ◆ Familiarize-se com os controlos e com a utilização correcta da ferramenta.
- ◆ Utilize a ferramenta apenas durante o dia ou com boa iluminação artificial.
- ◆ Antes de iniciar a utilização, verifique se o cabo de alimentação e extensão apresentam sinais de danos, envelhecimento e desgaste. Caso um cabo fique danificado durante a utilização, desligue imediatamente o cabo da rede eléctrica. **NÃO TOQUE NO CABO ANTES DE DESLIGAR A CORRENTE.**
- ◆ Não utilize a ferramenta se os cabos estiverem gastos ou danificados.
- ◆ Use sapatos ou botas robustos para proteger os pés.
- ◆ Use calças compridas para proteger as pernas.
- ◆ Antes de utilizar a ferramenta, verifique se o percurso de corte está livre de gravetos, pedras, arame e quaisquer outros obstáculos.
- ◆ Utilize a ferramenta apenas na posição vertical, com o fio de nylon próximo ao solo. Nunca a ligue em qualquer outra posição.
- ◆ Mova-se devagar ao utilizá-la. Lembre-se que a relva recém-cortada é húmida e escorregadia.
- ◆ Não trabalhe em declives acentuados. Trabalhe transversalmente, nunca em direcção ascendente e descendente.

- ◆ Nunca atravesse caminhos ou estradas com pedregulhos com a ferramenta em funcionamento.
- ◆ Nunca toque o fio de nylon durante o funcionamento.
- ◆ Não coloque a ferramenta em posição horizontal a menos que o fio de nylon esteja completamente parado.
- ◆ Utilize apenas o tipo adequado de fio de nylon. Nunca utilize fio de metal ou linha de pesca.
- ◆ Cuidado para não tocar na lâmina limitadora do fio de nylon.
- ◆ Cuide para que o cabo de alimentação eléctrica fique longe do fio de nylon. Esteja sempre atento ao posicionamento do cabo.
- ◆ Mantenha sempre as mãos e os pés afastados do fio de nylon, especialmente aquando da ligação do motor.
- ◆ Advertência! Os elementos de corte continuam a rodar depois de a ferramenta ser desligada.
- ◆ Nunca use a ferramenta com resguardos danificados ou sem que os mesmos estejam devidamente colocados.
- ◆ Mantenha sempre as ranhuras de ventilação limpas.
- ◆ Antes de utilizar o aparelho e após qualquer impacto, verifique se apresenta sinais de desgaste ou danos e repare-o se necessário.
- ◆ Cuidado para não se ferir com qualquer dispositivo aplicado para limitação do comprimento do fio. Após estender o fio de nylon novo, coloque sempre a máquina na respectiva posição normal de funcionamento antes de ligá-la.
- ◆ Não utilize o aparador (aparador de orlas), se os cabos estiverem gastos ou danificados.
- ◆ Mantenha os cabos de extensão afastados dos elementos de corte.

## Segurança de outras pessoas

- ◆ Este aparelho não se destina a ser utilizado por pessoas (incluindo crianças) com reduzidas capacidades físicas, sensoriais ou mentais ou falta de experiência e conhecimentos, a menos que tenham recebido instruções ou sejam supervisionadas relativamente à utilização do aparelho por uma pessoa responsável pela sua segurança.
- ◆ As crianças deverão ser vigiadas para que não brinquem no aparelho.

## Instruções de segurança adicionais para baterias e carregadores

### Baterias

- ◆ Nunca tente abrir a bateria seja qual for a razão.
- ◆ Não deixe que a bateria entre em contacto com a água.
- ◆ Não armazene em locais onde a temperatura possa exceder 40 °C.
- ◆ Carregue somente à temperatura ambiente, entre 10 °C e 40 °C.

- ◆ Carregue utilizando apenas o carregador fornecido com o aparelho/ferramenta. A utilização do carregador errado poderá resultar em choque eléctrico ou sobreaquecimento da bateria.
- ◆ Siga as instruções fornecidas na secção "Protecção do meio ambiente" quando desejar desfazer-se das baterias.
- ◆ Não danifique nem deforme a bateria através de perfuração ou impacto pois tal pode causar risco de ferimentos ou incêndio.
- ◆ Não carregue baterias danificadas.
- ◆ Sob condições extremas, é possível que a bateria apresente fugas. Quando notar que há líquido nas baterias, limpe-o cuidadosamente utilizando um pano. Evite o contacto com a pele.
- ◆ Em caso de contacto com a pele ou com os olhos, siga as instruções abaixo.

**Advertência!** O líquido da bateria pode causar ferimentos pessoais ou danos em bens. Em caso de contacto com a pele, lave imediatamente com água. Em caso de vermelhidão, dor ou irritação, consulte um médico. Em caso de contacto com os olhos, enxágue imediatamente com água limpa e consulte um médico.

### Carregadores

O seu carregador foi concebido para uma tensão de rede específica. Verifique sempre se a tensão eléctrica corresponde à indicada na placa de especificações.

**Advertência!** Nunca tente substituir o carregador por uma tomada normal.

- ◆ Utilize o seu carregador Black & Decker apenas para carregar as baterias do tipo fornecido com a sua ferramenta. Outras baterias poderiam explodir, causando ferimentos pessoais e danos.
- ◆ Nunca tente carregar baterias não recarregáveis.
- ◆ Se o cabo de alimentação estiver danificado, deverá ser substituído pelo fabricante ou por um Centro de Assistência autorizado pela Black & Decker, de modo a evitar riscos.
- ◆ Não deixe que o carregador entre em contacto com a água.
- ◆ Não abra o carregador.
- ◆ Não submeta o carregador a testes.
- ◆ O aparelho/ferramenta/bateria deve ser colocado/a numa área bem ventilada enquanto carrega.

Os seguintes símbolos encontram-se na bateria:



Perigo de incêndio! Evite o curto-circuito metálico nos contactos de uma bateria (por ex., chaves de porcas na mesma caixa que a bateria).



Não exponha a bateria a fogo.

Os seguintes símbolos encontram-se no seu carregador:



O carregador destina-se apenas a ser utilizado no interior.

### Etiquetas no aparelho

Os símbolos de advertência a seguir encontram-se no aparelho:



Leia o manual antes de o utilizar.



Utilize óculos de segurança durante o funcionamento deste aparelho.



Mantenha as pessoas a uma distância mínima de 6 m da área de corte.



Não exponha o aparelho à chuva nem humidade excessiva.

### Segurança eléctrica



O seu carregador está duplamente isolado, pelo que não é necessário fio de terra. Verifique sempre se a tensão eléctrica corresponde à indicada na placa de especificações.

- ◆ Se o cabo de alimentação estiver danificado, deverá ser substituído pelo fabricante ou por um Centro de Assistência autorizado pela Black & Decker, de modo a evitar riscos.
- ◆ **Advertência!** Nunca tente substituir o carregador por uma tomada normal.

### Características

Esta ferramenta inclui algumas ou todas as seguintes características.

1. Interruptor de ligar/desligar
2. Botão de travamento
3. Punho
4. Punho secundário
5. Anel de ajuste de altura
6. Tubo
7. Anel de ajuste de modo
8. Cabeça
9. Guia de acerto de orlas
10. Resguardo
11. Fio de nylon
12. Compartimento da bobina
13. Lâmina limitadora do fio de nylon

### Montagem

**Advertência!** Evite ligar a ferramenta acidentalmente durante a montagem.

### Instalação do resguardo (fig. A)

- ◆ Coloque o resguardo (10) na ferramenta, conforme o indicado.
- ◆ Carregue firmemente no resguardo até que encaixe no lugar.
- ◆ Fixe o resguardo com o parafuso (14).

**Advertência!** Nunca utilize a ferramenta se o resguardo não estiver bem instalado.

### Remoção do fio de nylon

Durante o transporte, o fio de nylon é fixo ao compartimento da bobina.

- ◆ Remova a fita que segura o fio de nylon (11) ao compartimento da bobina (12).

### Utilização

**Advertência!** Deixe que a ferramenta funcione à vontade. Não o sobrecarregue.

### Carregamento da bateria (fig. B)

É necessário carregar a bateria antes da primeira utilização e sempre que falte potência durante tarefas que antes eram executadas facilmente. Quando estiver a carregar a bateria pela primeira vez, ou após armazenamento prolongado, ela aceitará somente 80% da carga. Após vários ciclos de carga e descarga, a bateria atingirá sua capacidade total. A bateria pode ficar quente enquanto estiver à carga; isto é normal e não indica qualquer problema.

- ◆ Insira a ficha do carregador (15) no conector do carregador (16) na parte de trás da ferramenta.
- ◆ Ligue o carregador numa tomada eléctrica.
- ◆ Ligue a corrente.

É possível deixar a bateria ligada ao carregador indefinidamente.

- ◆ Quando quiser utilizar a ferramenta, retire a ficha do carregador da ferramenta e desligue o carregador da corrente eléctrica.

Para aumentar a vida útil da bateria, recomenda-se mantê-la ligada ao carregador sempre que a ferramenta não estiver a ser utilizada. Quando a bateria estiver carregada, o consumo de energia do carregador é insignificante.

### Ajuste da ferramenta no modo de apara ou acerto de orlas (fig. C - E)

É possível utilizar a ferramenta no modo de apara conforme a fig. C ou no modo de acerto de orlas para aparar excesso de relva ao longo de orlas e canteiros de flores, conforme demonstrado na fig. D.

### Modo de apara (fig. C & E)

Para aparar, a cabeça do aparador deverá estar na posição demonstrada na fig. C. Caso contrário:

- ◆ Segure o punho secundário (4) com uma das mãos e segure no anel (7) com a outra.

- ◆ Carregue no anel na direcção da cabeça do aparador e gire-o no sentido anti-horário até que a cabeça do aparador se encaixe na posição de apara.
- ◆ Solte o anel.
- ◆ Ajuste a guia de acerto de orlas (9) para a posição retraída.

## Modo de acerto de orlas (fig. D & E)

Para acertar orlas, a cabeça do aparador deverá estar na posição demonstrada na fig. D. Caso contrário:

- ◆ Segure o punho secundário (4) com uma das mãos e segure no anel (7) com a outra.
- ◆ Empurre o anel na direcção da cabeça do aparador e rode-o para a direita até que a cabeça do aparador se encaixe na posição de apara.
- ◆ Solte o anel.
- ◆ Ajuste a guia de acerto de orlas (9) para a posição estendida.

## Ajuste da altura da ferramenta (fig. F)

O tubo telescópico (6) permite-lhe ajustar a ferramenta para uma altura confortável.

- ◆ Desaperte o anel (5).
- ◆ Para aumentar a altura, faça deslizar o tubo para fora.
- ◆ Para diminuir a altura, faça deslizar o tubo para dentro.
- ◆ Aperte o anel.

## Como ligar e desligar a ferramenta

Para sua segurança, esta ferramenta está equipada com um sistema de comutação duplo. Este sistema evita que a ferramenta seja ligada inadvertidamente.

### Activação

- ◆ Empurre o botão de travamento (2) para trás com o dedo polegar e carregue, ao mesmo tempo, no interruptor de ligar/desligar (1).
- ◆ Solte o botão de travamento.

### Desactivação

- ◆ Solte o interruptor de ligar/desligar (1).

**Advertência!** Nunca tente travar a manopla com gatilho na posição ligada.

## Sugestões para uma melhor utilização

### Informações gerais

- ◆ Para obter óptimos resultados, corte apenas relva seca.

### Apara

- ◆ Segure a ferramenta conforme ilustrado na fig. C.
- ◆ Incline o aparador com cuidado de um lado para outro.
- ◆ Ao cortar relva longa, trabalhe em etapas, partindo do topo. Efectue cortes pequenos.

- ◆ Mantenha a ferramenta afastada de objectos rígidos e plantas delicadas.
- ◆ Se a ferramenta começar a funcionar lentamente, reduza a carga.

## Acerto de orlas

É possível alcançar resultados de corte excelentes em orlas com mais de 50 mm de profundidade.

- ◆ Não utilize a ferramenta para criar orlas. Para tal, utilize uma pá de acerto de orlas.
- ◆ Oriente a ferramenta conforme ilustrado na fig. D.
- ◆ Para efectuar um corte mais rente, incline ligeiramente a ferramenta.

## Instalação de uma nova bobina de fio de nylon (fig. G)

É possível obter bobinas de reposição de fio de nylon junto do seu distribuidor Black & Decker (número de catálogo A6481).

- ◆ Mantenha as linguetas (17) premidas e remova a tampa da bobina (18) do compartimento (12).
- ◆ Retire a bobina (19) vazia do compartimento da bobina.
- ◆ Retire toda a sujidade e relva da tampa e do compartimento da bobina.
- ◆ Pegue a bobina nova e desenrole aproximadamente 9 cm do fio de nylon.
- ◆ Passe o fio de nylon através da abertura (20).
- ◆ Empurre a bobina na direcção do eixo de transmissão (21) e rode-a com cuidado até que encaixe. Certifique-se de que o fio de nylon não fica preso sob a bobina e que 9 cm de fio se projectam do compartimento.
- ◆ Alinhe as linguetas da tampa da bobina com os orifícios do compartimento.
- ◆ Empurre a tampa na direcção do compartimento até que encaixe firmemente em posição.

**Advertência!** Se os fios de nylon se projectarem para além da lâmina limitadora (13), corte-os de forma a que apenas a alcancem.

## Colocação de fio de nylon novo numa bobina vazia (fig. H & I)

Poderá obter pacotes de reposição de fio de nylon junto do seu distribuidor Black & Decker (número de catálogo A6170 (25 m) & A6171 (40 m)).

- ◆ Retire a bobina vazia da ferramenta conforme descrito acima.
- ◆ Retire completamente o fio de nylon da bobina.
- ◆ Coloque 2 cm de fio de nylon num dos orifícios (22) da bobina conforme demonstrado.
- ◆ Dobre o fio de nylon e prenda-o na ranhura em forma de L (23).
- ◆ Enrole-o na bobina, na direcção da seta (24). Assegure-se de que enrola devidamente o fio e em camadas. Não o cruze.



- ◆ Quando o fio de nylon enrolado atingir os recessos (25), corte o fio. Deixe que o fio se projecte aproximadamente 9 cm da bobina e coloque um dedo sobre o fio para mantê-lo no local.
- ◆ Proceda da forma descrita acima para instalar a bobina na ferramenta.

**Advertência!** Utilize apenas o tipo adequado de fio de nylon da Black & Decker. Assegure-se de que há fio de nylon nas duas secções da bobina.

### Armazenamento

Caso não vá utilizar a ferramenta por vários meses, o ideal é deixar a bateria ligada ao carregador. Caso contrário, proceda da seguinte forma:

- ◆ Carregue totalmente a bateria.
- ◆ Guarde a ferramenta num local seco e seguro. A temperatura de armazenamento deve permanecer sempre entre +5 °C e +40 °C.
- ◆ Antes de utilizar a ferramenta após um longo período de armazenamento, carregue novamente a bateria.

### Resolução de problemas

Se a sua ferramenta não estiver a funcionar adequadamente, siga as instruções abaixo. Caso o problema não seja resolvido dessa maneira, entre em contacto com um técnico autorizado da Black & Decker.

**Advertência!** Evite ligar a ferramenta acidentalmente.

### Funcionamento lento da ferramenta

- ◆ Verifique se o compartimento da bobina roda livremente. Limpe-o com cuidado, se necessário.
- ◆ Verifique se o fio de nylon não se projecta mais de 11 cm do compartimento da bobina. Neste caso, corte-o de forma que apenas alcance a lâmina limitadora do fio de nylon.

### A alimentação automática de fio não funciona

- ◆ Mantenha as linguetas premidas e retire a tampa da bobina do compartimento.
- ◆ Puxe o fio de nylon até se projectar 11 cm do compartimento. Se não houver fio suficiente na bobina, instale uma nova bobina de fio de nylon conforme as instruções acima.
- ◆ Alinhe as linguetas da tampa da bobina com os recortes do compartimento.
- ◆ Empurre a tampa na direcção do compartimento até que encaixe firmemente em posição.
- ◆ Se o fio de nylon se projectar para além da lâmina limitadora, corte-o de forma a que apenas a alcance.

Se a alimentação automática de fio ainda não funcionar ou a bobina estiver encravada, tente as sugestões a seguir:

- ◆ Limpe com cuidado a tampa e o compartimento da bobina.

- ◆ Retire a bobina e verifique se a alavanca se move livremente.
- ◆ Retire a bobina, desenrole o fio de nylon e enrole-o novamente de forma ordenada, conforme descrito acima. Recoloque a bobina conforme as instruções.

### Manutenção

O aparelho/ferramenta com fios/sem fios da Black & Decker foi desenvolvido/a para funcionar por um longo período de tempo com um mínimo de manutenção. O funcionamento contínuo e satisfatório depende de limpeza regular e de manutenção adequada.

**Advertência!** Antes de realizar qualquer tipo de manutenção em ferramentas eléctricas com fios/sem fios:

- ◆ Desligue o aparelho/ferramenta e retire a ficha da tomada.
- ◆ Ou desligue e retire a bateria do aparelho/ferramenta, caso esta seja fornecida separadamente.
- ◆ Ou descarregue a bateria por completo, caso seja integrada e depois desligue o aparelho/ferramenta.
- ◆ Desligue a ficha do carregador antes de o limpar. O seu carregador não requer qualquer manutenção para além de uma limpeza regular.
- ◆ Limpe regularmente as fendas de ventilação na ferramenta/aparelho/carregador utilizando uma escova macia ou pano seco.
- ◆ Limpe regularmente o compartimento do motor utilizando um pano húmido. Não utilize nenhum detergente abrasivo nem à base de solvente.
- ◆ Abra regularmente o mandril e bata no mesmo para remover qualquer poeira do interior (se equipado).

### Protecção do meio ambiente



Recolha em separado. Não deve deitar este produto fora juntamente com o lixo doméstico normal.

Caso chegue o momento em que um dos seus produtos Black & Decker precise de ser substituído ou decida desfazer-se do mesmo, não o deite fora juntamente com o lixo doméstico. Torne este produto disponível para uma recolha em separado.



A recolha em separado de produtos e embalagens utilizados permite que os materiais sejam reciclados e reutilizados. A reutilização de materiais reciclados ajuda a evitar a poluição ambiental e a reduzir a procura de matérias-primas.

Os regulamentos locais poderão providenciar a recolha em separado de produtos eléctricos junto das casas, em lixeiras municipais ou junto dos fornecedores ao adquirir um novo produto.

A Black & Decker oferece um serviço de recolha e reciclagem de produtos Black & Decker que tenha atingido o fim das suas vidas úteis. Para tirar proveito deste serviço, devolva seu produto a qualquer agente de reparação autorizado, que se encarregará de recolher o equipamento em nosso nome.

Para verificar a localização do agente de reparação mais próximo de si, contacte o escritório local da Black & Decker no endereço indicado neste manual. Se preferir, consulte a lista de agentes autorizados da Black & Decker e os dados completos dos nossos serviços de atendimento pós-venda na Internet no endereço: [www.2helpU.com](http://www.2helpU.com)

### Baterias



No final da respectiva vida útil, deite fora as baterias tendo sempre em mente o cuidado com o meio ambiente.

- ◆ Não submeta os contactos das baterias a curto-circuito.
- ◆ Não queime a(s) bateria(s) pois resultaria em ferimentos pessoais ou explosão.
- ◆ Descarregue completamente a bateria e remova-a da ferramenta.
- ◆ As baterias são recicláveis. Coloque a bateria numa embalagem apropriada para garantir que os terminais não entrem em curto-circuito. Entregue-as em qualquer agente de reparação autorizado ou numa estação de reciclagem local.

### Dados técnicos

GLC13 H2	
Voltagem	V <sub>DC</sub> 12
Velocidade sem carga	min <sup>-1</sup> 7.500
Peso	kg 3,2

Valor de vibração calculado na mão/braço de acordo com a norma EN 786: < 2,5

### Declaração de conformidade CE

DIRECTIVA MÁQUINAS  
DIRECTIVA SOBRE RUIDO AMBIENTE



GLC13

A Black & Decker declara que os produtos descritos na secção "dados técnicos" se encontram em conformidade com: 98/37/CE (até 28 de Dezembro de 2009), 2006/42/CE (a partir de 29 de Dezembro de 2009), 2004/108/CE, EN 60335-1, EN 60335-2-91

2000/14/CE, Cortador de relva, L ≤ 50 cm, Anexo VIII

KEMA Quality B.V., Utrechtseweg 310, 6802 ED Arnhem, Países Baixos  
N.º de ID do organismo notificado: 0344

Nível de potência acústica segundo a directiva 2000/14/CE (Artigo 12, Anexo VIII, L ≤ 50 cm):  
L<sub>WA</sub> (potência acústica medida) 92 dB(A)  
L<sub>WA</sub> (potência acústica garantida) 94 dB(A)

Para obter mais informações, queira contactar a Black & Decker através do endereço que se segue ou indicado no verso do manual.

O signatário é responsável pela compilação do ficheiro técnico e apresenta esta declaração em nome da Black & Decker.

Kevin Hewitt

Vice-presidente do Departamento de Engenharia Global  
Black & Decker Europe, 210 Bath Road, Slough,  
Berkshire, SL1 3YD  
Reino Unido  
10-12-2009

### Garantia

A Black & Decker confia na qualidade de seus produtos e oferece um programa de garantia excelente. Esta declaração de garantia soma-se aos seus direitos legais e não os prejudica em nenhum aspecto. A garantia será válida nos territórios dos Estados Membros da União Europeia e na Área de Livre Comércio da Europa.

Caso algum produto da Black & Decker apresente avarias devido a defeitos de material, mão-de-obra ou ausência de conformidade no prazo de 24 meses a partir da data de compra, a Black & Decker garantirá a substituição das peças defeituosas, a reparação dos produtos que foram submetidos a uso adequado e remoção ou substituição dos mesmos para assegurar o mínimo de inconvenientes ao cliente a menos que:

- ◆ O produto tenha sido utilizado para fins comerciais, profissionais ou aluguer;
- ◆ O produto tenha sido submetido a uso incorrecto ou descuido;
- ◆ O produto tenha sofrido danos causados por objectos estranhos, substâncias ou acidentes;
- ◆ Tenha um histórico de reparações efectuadas por terceiros que não sejam os agentes autorizados ou profissionais de manutenção da Black & Decker.

Para activar a garantia, será necessário enviar a prova de compra ao revendedor ou agente de reparação autorizado.

Para verificar a localização do agente de reparação mais próximo de si contacte o escritório local da Black & Decker no endereço indicado neste manual. Se preferir, consulte a lista de agentes autorizados da Black & Decker e os dados completos de nossos serviços de atendimento pós-venda na Internet no endereço: **[www.2helpU.com](http://www.2helpU.com)**

Visite o nosso website **[www.blackanddecker.eu](http://www.blackanddecker.eu)** para registar o seu novo produto Black & Decker e para se manter actualizado sobre novos produtos e ofertas especiais. Estão disponíveis mais informações sobre a Black & Decker e sobre a nossa gama de produtos em **[www.blackanddecker.eu](http://www.blackanddecker.eu)**

## Användningsområde

Din Black & Decker grästrimmare är avsedd för trimning och kantklippning av gräsmattor och för gräsklippning på svåråtkomliga ställen. Apparaten är inte avsedd för yrkesmässig användning.

Din Black & Decker laddare är avsedd för laddning av batteriet i det medföljande verktyget.

## Säkerhetsanvisningar

### Allmänna säkerhetsvarningar för apparater



**Varning!** När man använder elektriska apparater, med eller utan sladd, är det alltid viktigt att följa säkerhetsanvisningarna, inkl. nedanstående, för att minska risken för brand, elektriska stötar, personskador och materialskador.

- ◆ Läs bruksanvisningen noggrant innan du använder apparaten.
- ◆ Apparaten är avsedd för den användning som beskrivs i denna bruksanvisning. Använd endast apparaten på de sätt och med de tillbehör och tillsatser som rekommenderas i bruksanvisningen. Annan användning kan medföra risk för personskador.

### Spara alla varningar och anvisningar för framtida referens.

Det nedan använda begreppet "apparat" syftar på nåtdrivna apparat (med nätsladd) eller batteridrivna apparat (sladdlösa).

### Användning av apparaten

Var alltid försiktig när du använder apparaten.

- ◆ Håll arbetsplatsen ren och välbelyst. Oordning på arbetsplatsen och dåligt belyst arbetsområde kan leda till olyckor.
- ◆ Använd apparaten endast vid dagsljus eller i god belysning.
- ◆ Använd inte apparaten i explosionsfarlig omgivning med brännbara vätskor, gaser eller damm.
- ◆ Låt aldrig barn eller personer som inte har läst anvisningarna använda apparaten.
- ◆ Låt inte barn eller djur att komma i närheten av arbetsområdet eller vidröra apparaten eller sladden.
- ◆ Håll under arbetet med apparaten barn och intillstående personer och djur på betryggande avstånd. Om du störs av obehöriga personer kan du förlora kontrollen.
- ◆ Apparaten får inte användas som leksak.
- ◆ Doppa aldrig apparaten i vatten.
- ◆ Öppna inte höljet. Den innehåller inga delar som kan servas av användaren.

### Personlig säkerhet

- ◆ Var uppmärksam, se på vad du gör och använd apparaten med förnuft. Använd inte en apparat när du är trött eller om du är påverkad av droger, alkohol eller mediciner. Under användning av apparater kan ett ögonblicks bristande ouppmärksamhet leda till allvarliga kroppsskador.
- ◆ Använd vid behov personlig skyddsutrustning. Den personliga skyddsutrustningen, som t.ex. ögonskydd, dammfiltermask, halkfria skyddsskor, hjälm eller hörselskydd, som bör användas under de gällande omständigheterna minskar risken för kroppsskada.
- ◆ Undvik att startas av misstag. Kontrollera att strömställaren står i läge "off" innan du ansluter till vägguttaget och/eller batteripaketet, lyfter upp eller bär apparaten. Det kan vara mycket farligt att bära en apparat med fingret på strömbrytaren eller koppla det till nätet med strömbrytaren på.
- ◆ Sträck dig inte för långt. Se till att du alltid har säkert fotfäste och balans. På så sätt kan du lättare kontrollera apparaten i oväntade situationer.
- ◆ Bär lämplig klädsel. Bär inte löst hängande kläder eller smycken. Håll hår, kläder och handskar undan från rörliga delar. Löst hängande kläder, smycken och långt hår kan dras in av roterande delar.

### Användning och skötsel av apparat

- ◆ Kontrollera om apparaten är skadad eller defekt, innan den används. Kontrollera att inga delar är trasiga, att strömbrytaren inte är skadad eller att något annat som kan inverka på funktionen.
- ◆ Använd inte apparaten om det inte kan kopplas till och från med strömbrytaren. En apparat som inte kan kopplas till eller från är farligt och måste repareras.
- ◆ Dra ut stickkontakten ur vägguttaget och/eller batteripaketet ur det motordrivna apparaten innan inställningar utförs, tillbehörsdelar byts ut eller det motordrivna apparaten ställs undan. Denna skyddsåtgärd minskar risken för oavsiktlig inkoppling av apparaten.
- ◆ Håll skärverktyg skarpa och rena. Omsorgsfullt skötta skärverktyg med skarpa egg fastnar inte så lätt och går lättare att styra.
- ◆ Använd inte apparaten om någon del är skadad eller defekt.
- ◆ Om fel uppstår skall delarna repareras eller bytas ut av en auktoriserad Black & Decker serviceverkstad.
- ◆ Försök aldrig att ta bort eller byta ut andra delar än dem som nämns i denna bruksanvisning.

### Elsäkerhet

- ◆ Apparatsens stickkontakt måste passa till vägguttaget. Ändra aldrig stickkontakten på något sätt. Använd inte adapterkontakter tillsammans med skyddsjordade apparat. Oförändrade stickkontakter och passande vägguttag minskar risken för elchock.

- ◆ Skydda apparaten mot regn och väta. Tränger vatten in i en apparat ökar risken för elektriska stötar.
- ◆ Misshandla inte nätsladden. Använd inte sladden till att bära eller hänga upp apparaten i, och inte heller till att dra stickproppen ur vägguttaget. Håll nätsladden på avstånd från värme, olja, skarpa kanter och rörliga maskindelar. Skadade eller tilltrasslade sladdar ökar risken för elchock.
- ◆ Om så är lämpligt. Använd endast förlängningsladdar som är godkända för utomhusbruk när du arbetar med en apparat utomhus. Om en förlängningsladd avsedd för utomhusbruk används minskar risken för elchock.
- ◆ Om man måste använda en apparat på en fuktig plats bör man använda ett uttag som skyddats med en jordfelsbrytare. Vid användning av en restströmsanordning (RCD) minskar risken för elektriska stötar.

## Tillkommande säkerhetsanvisningar för grästrimmare

Följande varningssymboler finns på verktyget:



Läs bruksanvisningen innan du använder verktyget.



Använd skyddsglasögon under arbetet med verktyget.



Tillåt inte barn och djur att uppehålla sig närmare arbetsområdet än 6 meter.



Undvik att utsätta verktyget för regn och hög luftfuktighet.

## Bruk och skötsel av batterivelverktyg (bara sladdlösa apparater)

- ◆ Ladda batterierna endast i de laddare som tillverkaren rekommenderat. Om en laddare som är avsedd för en viss typ av batterier används för andra batterityper finns risk för brand.
- ◆ Använd endast verktyg tillsammans med batterier som är avsedda för apparaten. Används andra batterier finns risk för kroppsskada och brand.
- ◆ Håll gem, mynt, nycklar, spikar, skruvar och andra metallföremål på avstånd från reservbatterier för att undvika att kontakterna kortsluts. Kortslutning av batteriets kontakter kan leda till brännskador eller brand.
- ◆ Om batteriet används på felaktigt sätt finns risk för att vätska rinner ur batteriet. Undvik kontakt med vätskan. Vid oavsiktlig kontakt spola med vatten. Om vätska kommer i kontakt med ögonen uppsök dessutom läkare. Batterivätskan kan medföra hudirritation eller brännskada.

## Efter användning

- ◆ När apparaten inte används, ska det förvaras på en torr, väl ventilerad plats utom räckhåll för barn.
- ◆ Se till att barn inte kan få tag på apparater.
- ◆ När apparaten förvaras eller transporteras på ett fordon ska det placeras i bagageutrymmet eller förankrat för att förhindra rörelser vid snabba ändringar av hastighet eller köriktning.

## Service

- ◆ Låt apparaten bara repareras av behöriga personer och med originalreservdelar. Detta garanterar att apparatens säkerhet bibehålls.

- ◆ Bekanta dig med reglagen och hur verktyget ska användas.
- ◆ Använd verktyget endast vid dagsljus eller bra belysning.
- ◆ Kontrollera före användning om sladden eller förlängningsladdsladden är skadad, sliten eller börjar bli gammal. Om en sladd skadas under användning, koppla bort nätsladden från elnätet omedelbart. RÖR INTE SLADDEN INNAN STRÖMMEN KOPPLATS BORT.
- ◆ Använd inte verktyget om sladdarna är utslitna eller skadade.
- ◆ Skydda fötterna genom att bära rejäla skor eller stövlar.
- ◆ Skydda benen genom att bära långbyxor.
- ◆ Innan du börjar arbeta ska du kontrollera att arbetsområdet är fritt från pinnar, stenar, ståltrådar och andra föremål.
- ◆ Verktyget ska hållas lodrätt när det används, med trimtråden nära marken. Starta aldrig verktyget i något annat läge.
- ◆ Rör dig långsamt när du använder verktyget. Tänk på att nyklippt gräs är fuktigt och halt.
- ◆ Arbeta inte i branta sluttningar. Arbeta i sidled i sluttningar - inte uppåt och nedåt.
- ◆ Gå aldrig över en grusgång med verktyget igång.
- ◆ Ta aldrig på trimtråden när verktyget är igång.
- ◆ Lägg inte ner verktyget förrän trimtråden har stannat helt.
- ◆ Använd endast rätt typ av trimtråd. Använd aldrig trimtråd av metall eller fiskelina.
- ◆ Var noga med att inte vidröra skärbladet för trimtråden.
- ◆ Var noga med att hålla undan sladden från trimtråden. Håll alltid reda på var sladden finns.
- ◆ Håll alltid händer och fötter borta från trimtråden, i synnerhet när motorn startas.
- ◆ Varning! Skärelementen fortsätter rotera sedan verktyget har stängts av.
- ◆ Använd aldrig verktyget om ett skydd är skadat eller saknas.
- ◆ Håll alltid ventilationsspringorna fria från smuts och skräp.
- ◆ Om apparaten har utsatts för stötar, får det inte användas förrän det har kontrollerats med avseende på skador och slitage och, om så erfordras, reparerats.

- ◆ Se till att du inte skadar dig på någon utrustning avsedd för trimning trådens längd. När ny trimtråd har dragits fram, måste verktyget alltid återföras till sitt normala driftläge innan det startas.
- ◆ Använd inte grästrimmaren (kanttrimmaren) om sladdarna är nötta eller skadade.
- ◆ Håll förlängningskablar borta från skärelementen.

## Andra personers säkerhet

- ◆ Apparaten är inte avsedd att användas av personer (inklusive barn) med försvagade fysiska, sensoriska eller mentala förmågor, eller som saknar erfarenhet och kunskaper, om de inte får övervakning eller undervisning i användning av apparaten av någon som ansvarar för deras säkerhet.
- ◆ Håll uppsyn så att inga barn leker med apparaten.

## Tillkommande säkerhetsanvisningar för batterier och laddare

### Batterier

- ◆ Försök aldrig öppna.
- ◆ Låt inte batteriet komma i kontakt med vatten.
- ◆ Förvara inte batteriet i utrymmen där temperaturen kan överstiga 40 °C.
- ◆ Ladda endast inom temperaturområdet 10 °C till 40 °C.
- ◆ Ladda endast med laddaren som medföljer. Användning av fel laddare kan medföra risk för elektriska stötar eller överhettning av batteriet.
- ◆ När batterierna kasseras skall instruktionerna i kapitlet "Miljöskydd" följas.
- ◆ Se till att inte skada eller deformera batteriet genom perforering eller stötar, eftersom det kan leda till risk för personskada och brand.
- ◆ Försök aldrig ladda skadade batterier.
- ◆ Under extrema förhållanden kan batteriet läcka. Om du upptäcker vätska på batterierna, torka då noggrant bort den med en trasa. Undvik kontakt med huden.
- ◆ Vid kontakt med huden eller ögonen skall instruktionerna nedan följas.

**Varning!** Batterivätskan kan orsaka personskador eller skador på egendom. Skölj omedelbart med vatten vid kontakt med huden. Den som drabbas av rodnad, smärta eller irritation bör uppsöka läkare. Om syran kommer i kontakt med ögonen, skölj rikligt med rent vatten och kontakta läkare.

### Laddare

Din laddare är avsedd för en specifik nätpänning. Kontrollera alltid att nätpänningen överensstämmer med typskylten.

**Varning!** Försök aldrig att ersätta laddningsenheten med en vanlig nätkontakt.

- ◆ Använd Black & Decker-laddaren endast för att ladda batteriet i det verktyg det medföljde. Andra typer av batterier kan explodera och förorsaka person- och materialskador.
- ◆ Försök aldrig ladda icke-uppladdningsbara batterier.
- ◆ Om nätsladden är skadad måste den bytas ut av tillverkaren eller en godkänd Black & Decker-serviceverkstad för att undvika en risksituation.
- ◆ Låt inte laddaren komma i kontakt med vatten.
- ◆ Öppna inte laddaren.
- ◆ Gör ingen överkan på laddaren.
- ◆ Apparaten/verktyget/batteriet måste vara placerat i ett väl ventilerat utrymme under laddning.

Följande symboler finns på batteriet:



Brandfara! Undvik att kontaktarna på ett fränkopplat batteri kortsluts av metall (t ex vid förvaring av batteriet i en verktygslåda).



Utsätt inte batteriet för eld.

Följande symboler finns på laddaren:



Laddaren är endast avsedd för inomhusbruk.

## Etiketter på apparaten

Följande varningssymboler återfinns på apparaten:



Läs bruksanvisningen innan du använder verktyget.



Använd skyddsglasögon under arbete med apparaten.



Tillåt inte barn och djur att uppehålla sig närmare arbetsområdet än 6 meter.



Utsätt inte apparaten för regn eller hög luftfuktighet.

## Elsäkerhet



Laddaren är dubbelisolerad; jordledare är således överflödiga. Kontrollera alltid att nätpänningen överensstämmer med typskylten.

- ◆ Om nätsladden är skadad måste den bytas ut av tillverkaren eller en godkänd Black & Decker-serviceverkstad för att undvika en risksituation.
- ◆ **Varning!** Försök aldrig att ersätta laddningsenheten med en vanlig nätkontakt.

## Detaljbeskrivning

Verktyget har en del eller samtliga av nedanstående funktioner.

1. Strömbrytare
2. Låsknapp
3. Handtag
4. Stödhandtag
5. Krage för höjjustering
6. Rör
7. Krage för justering av arbetsläge
8. Huvud
9. Kantstyrning
10. Skydd
11. Trimtråd
12. Spolhus
13. Skärblad för trimtråd

## Montering

**Varning!** Undvik oavsiktlig start av verktyget vid montering.

### Montering av skyddet (fig. A)

- ◆ Placera skyddet (10) på verktyget enligt figuren.
- ◆ Tryck på skyddet ordentligt tills det snäpper fast på plats.
- ◆ Lås fast skyddet med skruven (14).

**Varning!** Använd inte verktyget om inte skyddet är korrekt monterat.

### Att frigöra trimtråden

Under transporten är trimtråden fasttejpad på spolhuset.

- ◆ Avlägsna tejpén som håller trimtråden (11) mot spolhuset (12).

## Användning

**Varning!** Överbelasta inte maskinen, låt den arbeta i sin egen takt.

### Laddning av batteriet (fig. B)

Batteriet måste laddas innan det används första gången och alltid när verktyget inte längre fungerar effektivt. När batteriet laddas första gången eller efter en längre tids förvaring är dess laddningskapacitet endast 80%. Efter flera uppladdnings- och urladdningscyklar uppnår batteriet full kapacitet. Batteriet kan bli varmt under laddningen. Det är normalt och innebär inte något fel.

- ◆ Sätt laddningspluggen (15) i laddningsuttaget (16) på verktygets baksida.
- ◆ Anslut laddaren till ett vägguttag.
- ◆ Sätt på huvudströmmen.

Batteriet kan vara anslutet till laddaren obegränsad tid.

- ◆ Koppla loss laddningspluggen från verktyget och elnätet när verktyget ska användas.

För att förlänga batteriets livslängd så mycket som möjligt rekommenderar vi att det alltid lämnas anslutet till laddaren när verktyget inte används. När batteriet är fulladdat är batteriladdarens strömförbrukning ytterst låg.

### Val av trimnings- eller kantklippningsläge (fig. C - E)

Verktyget kan antingen användas i trimningsläge, enligt fig. C, eller i kantklippningsläge för klippning av gräs som sticker utanför kanten på gräsmattor och rabatter, enligt fig. D.

### Trimningsläge (fig. C & E)

Vid trimning ska trimningshuvudet stå i det läge som visas i fig. C. Gör annars så här:

- ◆ Håll i stödhandtaget (4) med den ena handen och ta tag i kragen (7) med den andra handen.
- ◆ Tryck kragen i riktning mot trimningshuvudet och vrid den medurs tills trimningshuvudet låser sig i trimningsläget.
- ◆ Släpp kragen.
- ◆ Placera kantstyrningen (9) i indraget läge.

### Kantklippningsläge (fig. D & E)

Vid kantklippning ska trimningshuvudet stå i läget som visas i fig. D. Gör annars så här:

- ◆ Håll i stödhandtaget (4) med den ena handen och ta tag i kragen (7) med den andra handen.
- ◆ Tryck kragen i riktning mot trimningshuvudet och vrid den medurs tills trimningshuvudet låser sig i trimningsläget.
- ◆ Släpp kragen.
- ◆ Ställ kantstyrningen (9) i det förlängda läget.

### Justering av verktygets längd (fig. F)

Med teleskopröret (6) kan du ställa in verktyget i en bekväm höjd.

- ◆ Lossa kragen (5).
- ◆ Öka höjden genom att skjuta ut röret.
- ◆ Minska höjden genom att skjuta in röret.
- ◆ Drag åt kragen.

### Start och stopp

Av säkerhetsskäl är verktyget försett med ett dubbelt start/stoppsystem. Systemet gör att det inte går att starta verktyget av misstag.

### Start

- ◆ Tryck låsknappen (2) bakåt med tummen och tryck samtidigt in strömbrytaren (1).
- ◆ Släpp låsknappen.

### Avstängning

- ◆ Släpp strömbrytaren (1).

**Varning!** Försök aldrig låsa avtryckarspaken i startläge.

## Råd för bästa resultat

### Allmänt

- ◆ För att få bästa möjliga resultat ska du bara klippa gräs som är torrt.

### Trimning

- ◆ Håll verktyget som i fig. C.
- ◆ Sväng grästrimmaren lugnt fram och tillbaka.
- ◆ Arbeta i flera omgångar uppifrån om gräset är långt. Trimma bara lite gräs åt gången.
- ◆ Undvik hårda föremål och ömtåliga växter.
- ◆ Minska belastningen om verktyget börjar gå långsamt.

### Kantklippning

De bästa resultaten får man om kanterna är djupare än 50 mm.

- ◆ Skär inte till nya kanter med verktyget. För att göra nya kanter ska du använda en kantspade.
- ◆ Styr verktyget enligt fig. D.
- ◆ Luta verktyget en aning om du vill klippa något närmare.

### Byte till en ny trimträdsspole (fig. G)

Du kan köpa nya trimträdsspolar av din Black & Decker återförsäljare (katalognummer: A6481).

- ◆ Håll knapparna (17) intryckta och ta ut spolskyddet (18) ur huset (12).
- ◆ Tag ut den tomma spolen (19) ur spolhuset.
- ◆ Avlägsna eventuell smuts och gräs ur spolskyddet och huset.
- ◆ Linda av cirka 9 cm trimtråd från den nya spolen.
- ◆ Mata trimträden genom trådålet (20).
- ◆ Tryck spolen på drivaxeln (21) och vrid den något tills den sitter på plats. Kontrollera att trimträden inte har klämts fast under spolen, och att det är 9 cm trimtråd utanför huset.
- ◆ Rikta in knapparna på spolskyddet mot hälen i huset.
- ◆ Tryck skyddet på huset tills det snäpper på plats ordentligt.

**Varning!** Om trimträderna sticker ut utanför skärbladet (13) ska de kapas så att de bara når fram till bladet.

### Linda ny tråd på en tom spole (fig. H & I)

Du köper nya förpackningar med trimtråd från din Black & Decker återförsäljare (katalognummer: A6170 (25 m) & A6171 (40 m)).

- ◆ Avlägsna den tomma spolen från verktyget enligt beskrivningen ovan.
- ◆ Ta bort eventuell trimtråd som finns kvar på spolen.
- ◆ Mata in 2 cm trimtråd genom ett av hälen (22) i spolen enligt figuren.
- ◆ Vik trimträden och fäst den i den L-formade skåran (23).
- ◆ Linda på trimträden på spolen i pilens riktning (24). Linda tråden ordentligt i olika lager. Linda inte i kors.
- ◆ Klipp av tråden när den lindade trimträden kommit upp till slitsarna (25). Låt ungefär 9 cm av tråden sticka ut från spolen och sätt ett finger på tråden för att hålla den på plats.

- ◆ Sätt spolen på plats enligt anvisningarna ovan.

**Varning!** Använd endast trimtråd som rekommenderas av Black & Decker. Se till att det finns trimtråd i båda sektionerna av spolen.

### Förvaring

Batteriet bör helst vara anslutet till laddaren om verktyget inte ska användas på flera månader. Gör annars så här:

- ◆ Ladda batteriet så mycket det går.
- ◆ Förvara verktyget på en säker och torr plats. Förvaringstemperaturen måste alltid befinna sig mellan +5 °C och +40 °C.
- ◆ Ladda batteriet ordentligt på nytt innan verktyget tas i bruk igen efter att ha förvarats under en längre tid.

### Felsökning

Följ anvisningarna nedan om något problem uppkommer.

Kontakta din auktoriserade Black & Decker serviceverkstad om du inte själv kan lösa problemet.

**Varning!** Undvik oavsiktlig start av verktyget.

### Verktyget går långsamt.

- ◆ Kontrollera att spolhuset kan rotera fritt. Rengör det försiktigt om det behövs.
- ◆ Kontrollera att trimträden inte sticker ut ur spolhuset mer än 11 cm. Om den sticker ut längre ska den kapas så att den just når fram till skärbladet för trimtråd.

### Den automatiska trådmatningen fungerar inte

- ◆ Håll knapparna intryckta och avlägsna spolskyddet från huset.
- ◆ Dra i trimträden tills den sticker ut 11 cm utanför huset. Om det är för lite trimtråd kvar på spolen byter du till en ny spole med trimtråd. Följ anvisningarna ovan.
- ◆ Rikta knapparna på spolskyddet gentemot öppningarna i huset.
- ◆ Tryck skyddet på huset tills det snäpper på plats ordentligt.
- ◆ Om trimträden sticker utanför skärbladet ska den kapas så att den just når fram till bladet.

Prova följande olika åtgärder om den automatiska trådmatningen ändå inte fungerar, eller om spolen låst sig:

- ◆ Rengör spolskyddet och huset försiktigt.
- ◆ Avlägsna spolen och kontrollera att armen kan röra sig fritt.
- ◆ Tag ut spolen och linda av hela trimträden. Linda sedan på den jämnt igen, enligt anvisningarna ovan. Sätt tillbaka spolen enligt anvisningarna.

### Underhåll

Ditt Black & Decker-verktyg, med eller utan nätkabel, har tillverkats för att fungera under lång tid med ett minimum av underhåll. Med rätt underhåll och regelbunden rengöring behåller verktyget sin prestanda.



**Varning!** Före varje typ av underhåll på nätanslutna/sladdlösa elverktyg:

- ◆ Stäng av apparaten/verktyget och drag ur kontakten.
- ◆ Eller stäng av och ta bort batteriet från utrustningen/verktyget om utrustningen/verktyget har ett separat batteripaket.
- ◆ Eller töm batteriet helt om det är inbyggt och stäng sedan av.
- ◆ Tag ur laddarkontakten före rengöring. Laddaren behöver inget underhåll förutom regelbunden rengöring.
- ◆ Rengör regelbundet ventilationsöppningarna på apparaten/verktyget/laddaren med en mjuk borste eller torr trasa.
- ◆ Rengör kåpan regelbundet med en fuktig trasa. Använd aldrig rengöringsmedel med lösnings- eller slipmedel i.
- ◆ Öppna chucken regelbundet och knacka på den för att avlägsna eventuellt damm som hamnat inuti den (när den är monterad).

## Miljöskydd



Särskild insamling. Denna produkt får inte kastas bland vanliga hushållssopor.

Om du någon gång i framtiden behöver ersätta din Black & Decker-produkt med en ny, eller inte längre behöver den, ska du inte kasta den i hushållssoporna. Denna produkt skall lämnas till särskild insamling.



Efter insamling av använda produkter och förpackningsmaterial kan materialen återvinnas och användas på nytt. Användning av återvunna material skötar miljön och minskar förbrukningen av råvaror.

Enligt lokal lagstiftning kan det förekomma särskilda insamlingar av uttjänt elutrustning från hushåll, antingen vid kommunala miljöstationer eller hos detaljhandlaren när du köper en ny produkt.

Black & Decker erbjuder en samlings- och återvinnings tjänst för Black & Decker-produkter när de en gång har tjänat ut. För att använda den här tjänsten lämnar du in produkten till en auktoriserad Black & Decker-reparatör/representant som tar hand om den för din räkning.

Närmaste auktoriserad Black & Decker-representant finner du genom det lokala Black & Decker-kontoret på adressen i den här manualen. Annars kan du söka på Internet, på listan över auktoriserade Black & Decker-representanter och alla uppgifter om vår kundservice och andra kontakter [www.2helpU.com](http://www.2helpU.com)

## Batterier



Skydda miljön genom att lämna uttjänta batterier till avsedd uppsamlingsplats.

- ◆ Kortslut inte batteriets kontakter.
- ◆ Släng inte in batteriet i öppen eld, eftersom det kan explodera med risk för personskador.
- ◆ Låt batteriet laddas ur helt och ta sedan bort det från verktyget.
- ◆ Batterierna är laddningsbara. Placera batteriet i en lämplig förpackning så att kontakterna inte kan kortsutas. Lämna dem till en auktoriserad tekniker eller en lokal återvinningsstation.

## Tekniska data

	GLC13 H2
Spänning	V <sub>DC</sub> 12
Obelastad hastighet	min <sup>-1</sup> 7.500
Vikt	kg 3,2

Vägt vibrationsmedelvärde hand/arm enligt EN 786: < 2,5

**EC-förklaring om överensstämmelse**

MASKINDIREKTIVET  
DIREKTIVET OM STÖRANDE LJUD UTOMHUS



GLC13

Black & Decker deklarerar att dessa produkter, beskrivna under "tekniska data", är tillverkade i överensstämmelse med: 98/37/EG (till 28 dec. 2009), 2006/42/EG (från 29 dec. 2009), 2004/108/EG, EN 60335-1, EN 60335-2-91

2000/14/EG, Gräsklippare, L ≤ 50 cm, Bilaga VIII

KEMA Quality B.V., Utrechtseweg 310, 6802 ED Arnhem,  
Nederländerna  
Notified Body ID No.: 0344

Nivå för akustisk effekt enligt 2000/14/EG (Artikel 12,  
Bilaga VIII, L ≤ 50 cm):

$L_{WA}$  (uppmätt ljudeffekt) 92 dB(A)

$L_{WA}$  (garanterad ljudeffekt) 94 dB(A)

För mer information, vänligen kontakta Black & Decker på följande adress eller den som anges på handbokens baksida.

Undertecknad är ansvarig för sammanställningen av den tekniska filen och gör denna försäkran som representant för Black & Decker.

Kevin Hewitt  
Vice-President Global Engineering  
Black & Decker Europe, 210 Bath Road, Slough,  
Berkshire, SL1 3YD  
Storbritannien  
10-12-2009

**Garanti**

Black & Decker garanterar att produkten är fri från material- och/eller fabriktionsfel vid leverans till kund. Garantin är i tillägg till konsumentens lagliga rättigheter och påverkar inte dessa. Garantin gäller inom medlemsstaterna i Europeiska Unionen och i det Europeiska Frihandelsområdet.

Om en Black & Decker produkt går sönder på grund av material- och/eller fabriktionsfel eller brister i överensstämmelse med specifikationen, inom 24 månader från köpet, åtar sig Black & Decker att reparera eller byta ut produkten med minsta besvär för kunden.

Garantin gäller inte för fel som beror på:

- ◆ normalt slitage
- ◆ felaktig användning eller skötsel
- ◆ att produkten skadats av främmande föremål, ämnen eller genom olyckshändelse

Garantin gäller inte om reparation har utförts av någon annan än en auktoriserad Black & Decker verkstad.

För att utnyttja garantin skall produkten och inköpskvittot lämnas till återförsäljaren eller till en auktoriserad verkstad senast 2 månader efter det att felet har upptäckts.

För information om närmaste auktoriserad verkstad; kontakta det lokala Black & Decker kontoret på den adress som är angiven i bruksanvisningen. En lista på alla auktoriserade verkstäder samt servicevillkor finns även tillgängligt på Internet, adress: [www.2helpU.com](http://www.2helpU.com)

Besök vår webbplats [www.blackanddecker.se](http://www.blackanddecker.se) för att registrera din nya Black & Decker-produkt samt för att erhålla information om nya produkter och specialerbjudanden. Vidare information om märket Black & Decker och vårt produktsortiment kan återfinnas på [www.blackanddecker.se](http://www.blackanddecker.se)

**Reservdelar/Reparationer**

Reservdelar finns att köpa hos auktoriserade Black & Decker verkstäder, som även ger kostnadsförlag och reparerar våra produkter.

Förteckning över våra auktoriserade verkstäder finns på Internet, vår hemsida [www.blackanddecker.se](http://www.blackanddecker.se) samt [www.2helpU.com](http://www.2helpU.com)

## Bruksområder

Din Black & Decker gresstrimmer er beregnet på klipping og trimming av plenkanter og klipping av gress på vanskelig tilgjengelige steder. Apparatet er kun beregnet til privat bruk.

Din Black & Decker lader er konstruert for å lade opp batteriet i verktøyet den leveres sammen med.

## Sikkerhetsinstruksjoner

### Generelle sikkerhetsadvarsler for apparater



**Advarsel!** Ved bruk av elektriske apparater som er koblet til strømmettet eller trådløse apparater, må du alltid følge en del grunnleggende sikkerhetsregler, deriblant følgende, for å redusere faren for brann, elektrisk støt, personskaade og materialskaade.

- ◆ Les hele denne bruksanvisningen nøye før du bruker apparatet.
- ◆ Bruksanvisningen beskriver hvordan apparatet skal brukes. Bruk bare tilbehør og utstyr til dette apparatet som anbefales i bruksanvisningen. Bruk av annet tilbehør eller utstyr kan medføre risiko for personskaade.

**Ta vare på alle advarsler og instruksjoner for fremtidige oppslag.** Termen "apparat" i advarslene refererer til ditt elektriske apparat som er koblet til strømmettet (med ledning) eller batteridrevne (trådløse) apparat.

### Bruk av apparatet

Vær alltid forsiktig når du bruker apparatet.

- ◆ Hold arbeidsområdet rent og godt opplyst. Rotete arbeidsområder med dårlig belysning kan føre til ulykker.
- ◆ Bruk apparatet kun i dagslys eller med god belysning.
- ◆ Ikke bruk apparatet i eksplosjonsfarlige omgivelser som f.eks. der det finnes brennbare væsker, gass eller støv.
- ◆ Ikke la barn eller personer som ikke har lest denne bruksanvisningen, benytte apparatet.
- ◆ Ikke la barn eller dyr komme i nærheten av arbeidsområdet eller berøre apparatets strømledning.
- ◆ Hold barn, tilskuere og dyr på avstand når du bruker apparatet. Hvis du blir forstyrret under arbeidet, kan du miste kontrollen.
- ◆ Apparatet må ikke brukes som leketøy.
- ◆ Apparatet må ikke dyppes i vann.
- ◆ Motorhuset må ikke åpnes. Det er ingen deler på innsiden som brukeren kan reparere selv.

### Personsikkerhet

- ◆ Vær oppmerksom, pass på hva du gjør og bruk fornuft når du bruker apparatet. Ikke bruk et apparat når du er trett eller er påvirket av rusmidler, alkohol eller medikamenter.

Et øyeblikks uoppmerksomhet under bruk av apparatet kan føre til alvorlige personskaader.

- ◆ Bruk personlig verneutstyr når påkrevd. Verneutstyr som øyebeskyttelse, støvmaske, sko med gode såler, hjelm og hørselsvern bør brukes for å redusere risikoen for personskaade.
- ◆ Ungå utilsiktet oppstart. Påse at bryteren er i av-stilling før du kopler til strøm og/eller batteripakke, løfter eller bærer apparatet. Hvis du bærer et apparat med fingeren på bryteren, eller hvis du kobler strøm til et apparat som har bryteren slått på, er det store sjanser for at ulykker kan inntreffe.
- ◆ Ikke strekk deg for langt. Pass på at du alltid har sikkert fotfeste og god balanse. Da kan du kontrollere apparatet bedre i uventede situasjoner.
- ◆ Bruk alltid egnede klær. Ikke bruk løstsittende klær eller smykker. Hold hår, klær og hansker unna bevegelige deler. Løstsittende klær, smykker eller langt hår kan komme inn i bevegelige deler.

### Bruk og vedlikehold av apparatet

- ◆ Før bruk må du kontrollere apparatet for skadde eller defekte deler. Kontroller også at det ikke finnes deler med brist, at bryterne ikke er skadet og eventuelle andre forhold som kan påvirke driften av apparatet.
- ◆ Ikke bruk apparatet hvis det ikke er mulig å slå det på og av med strømbryteren. Et apparat som ikke kan kontrolleres med bryteren, er farlig og må repareres.
- ◆ Trekk støpselet ut av stikkontakten og/eller kople fra batteripakken før du utfører innstillinger, skifter tilbehør eller legger apparatet bort. Disse tiltakene reduserer risikoen for en utilsiktet start av apparatet.
- ◆ Hold skjæreverktøy skarpe og rene når aktuelt. Godt vedlikeholdte skjæreverktøy med skarpe egger setter seg ikke så ofte fast og er lettere å føre.
- ◆ Bruk aldri apparatet hvis noen av delene er skadde eller defekte.
- ◆ Ved skade eller feil må delene repareres eller byttes ut av et autorisert serviceverksted.
- ◆ Prøv aldri å fjerne eller bytte andre deler enn de som er angitt i denne bruksanvisningen.

### Elektrisk sikkerhet

- ◆ Støpselet til apparatet må passe inn i stikkontakten. Støpselet må ikke forandres på noen som helst måte. Ikke bruk adapterstøpsler sammen med jordete apparater. Bruk av originale støpsler og passende stikkontakter reduserer risikoen for elektrisk støt.
- ◆ Utsett ikke apparatet for regn eller fuktighet. Dersom det kommer vann i et apparat, øker risikoen for elektrisk støt.
- ◆ Ungå uforsvarlig behandling av ledningen. Apparatet må aldri bæres eller trekkes etter ledningen, og trekk heller ikke ut støpselet ved å rykke i ledningen.

Hold ledningen unna varme, olje, skarpe kanter eller bevegelige deler. Med skadde eller sammenflokete ledninger øker risikoen for elektrisk støt.

- ◆ Når aktuelt. Når du arbeider utendørs med et apparat, må du kun bruke en skjøteledning som er godkjent til utendørs bruk. Ved å bruke en skjøteledning som er egnet for utendørs bruk, reduseres risikoen for elektrisk støt.
- ◆ Hvis du må bruke et apparat på et fuktig sted, må du bruke en forsyning som er beskyttet med en reststrømsanordning (RCD). Bruk av en RCD reduserer risikoen for støt.



Ikke tillat at barn og dyr oppholder seg nærmere arbeidsområdet enn 6 meter.



Ikke utsett verktøyet for regn eller høy fuktighet.

## Batteribruk og -vedlikehold (kun trådløse apparater)

- ◆ Lad kun opp batteriet i laderen som er anbefalt av produsenten. Det oppstår brannfare hvis en lader som er egnet til en bestemt type batterier, brukes med andre batterier.
- ◆ Bruk kun riktig type batterier for apparatet. Bruk av andre batterier kan medføre skader og brannfare.
- ◆ Hold batterier som ikke er i bruk, unna binders, mynter, nøkler, spikre, skruer eller andre mindre metallgenstander som kan lage en forbindelse mellom kontaktene. En kortslutning mellom batterikontaktene kan føre til forbrenninger eller brann.
- ◆ Ved feilaktig bruk kan det lekke væske ut av batteriet. Unngå kontakt med denne væsken. Ved tilfeldig kontakt må det skylles med vann. Hvis det kommer væske i øynene, må du i tillegg oppsøke lege. Batterivæske som renner ut, kan føre til hudirritasjoner eller forbrenninger.

## Etter bruk

- ◆ Når apparatet ikke er i bruk, må det oppbevares på et tørt og godt ventilert sted, og utenfor barns rekkevidde.
- ◆ Apparatet skal oppbevares utilgjengelig for barn.
- ◆ Når apparatet oppbevares eller transporteres i et kjøretøy, bør det plasseres i bagasjerommet eller bindes fast for å unngå bevegelse ved brå endringer i retning eller hastighet.

## Service

- ◆ Apparatet ditt skal alltid repareres av kvalifisert personell og kun med originale reservedeler. Dette sikrer at apparatets sikkerhet opprettholdes.

## Ekstra sikkerhetsinstruksjoner for gresstrimmere

Du finner følgende varselsymboler på verktøyet:



Les bruksanvisningen før du bruker verktøyet.



Ha på deg vernebriller når du bruker dette verktøyet.

- ◆ Gjør deg kjent med funksjonene og riktig bruk av verktøyet.
- ◆ Bruk bare verktøyet i dagslys eller med bra belysning.
- ◆ Før bruk må du kontrollere om strømledningen eller skjøteledningen er skadet, for gammel eller slitt. Hvis en ledning blir skadet under bruk, må du trekke den ut av nettuttaket umiddelbart. IKKE BERØR LEDNINGEN FØR DU KOPLER FRA STRØMTILFØRSELEN.
- ◆ Ikke bruk verktøyet hvis ledningene er skadet eller slitt.
- ◆ Bruk solide sko eller støvler, slik at du beskytter føttene.
- ◆ Beskytt bena ved å bruke langbukser.
- ◆ Før du bruker verktøyet, må du sjekke at arbeidsområdet er fritt for kvister, steiner, ledninger og andre hindringer.
- ◆ Bruk bare verktøyet i loddrett stilling, med trimmertråden mot bakken. Verktøyet må aldri slås på i andre stillinger.
- ◆ Beveg deg sakte når du bruker verktøyet. Husk at nyklipt gress er fuktig og glatt.
- ◆ Ikke arbeid i bratte skråninger. Klipp på tvers av skråninger, ikke opp- eller nedover.
- ◆ Gå aldri over grusganger mens verktøyet er i gang.
- ◆ Rør aldri trimmertråden mens verktøyet er i gang.
- ◆ Ikke legg verktøyet fra deg før trimmertråden har stoppet helt.
- ◆ Pass på at du bruker riktig type trimmertråd. Du må aldri bruke trimmertråder av metall eller fiskesnøre.
- ◆ Pass på at du ikke berører skjærekniven for trimmertråden.
- ◆ Pass på at ledningen holdes i god avstand fra trimmertråden. Pass på at du alltid vet hvor ledningen er.
- ◆ Hold hender og føtter unna trimmertråden, særlig når du slår på motoren.
- ◆ Advarsel! Trimmertrådene fortsetter å rotere etter at verktøyet er slått av.
- ◆ Ikke bruk verktøyet hvis vernene er skadet eller ikke er montert.
- ◆ Pass alltid på at ventilasjonsslissene holdes fri for smuss.
- ◆ Før du bruker apparatet og etter at det har vært utsatt for støt, må du sjekke om det er tegn på slitasje eller skade og reparere det om nødvendig.
- ◆ Vær forsiktig så du ikke skader deg på anordningene som er montert for å kutte trimmertråden. Når du har strukket ut en ny trimmertråd må maskinen alltid settes tilbake i vanlig bruksposisjon før du slår dev på.
- ◆ Ikke bruk gresstrimmeren (kanttrimmeren) hvis ledningene er skadet eller slitt.
- ◆ Hold skjøteledning unna kutteelementene.

## Andre personers sikkerhet

- ◆ Apparatet er ikke beregnet til å brukes av personer (inkludert barn) med redusert fysisk, sansemessig eller mental kapasitet eller mangel på erfaring og kunnskap, med mindre de er under oppsyn eller har fått opplæring i bruk av apparatet av en person som har ansvaret for deres sikkerhet.
- ◆ Barn må ha tilsyn for å sikre at de ikke leker med apparatet.

## Ekstra sikkerhetsforskrifter for batterier og ladere

### Batterier

- ◆ Gjør aldri under noen omstendigheter forsøk på å åpne apparatet.
- ◆ Batteriet må ikke komme i kontakt med vann.
- ◆ Må ikke oppbevares på steder hvor temperaturen kan overstige 40 °C.
- ◆ Må bare lades i lufttemperaturer mellom 10 °C og 40 °C.
- ◆ Må bare lades med laderen som følger med apparatet/verktøyet. Bruk av feil lader kan føre til elektrisk støt eller overoppheting av batteriet.
- ◆ Når batteriene skal kastes, følg instruksene i avsnittet "Miljøvern".
- ◆ Du må ikke skade eller deformere batteriet med punktering eller støt, dette kan skape fare for skader og brann.
- ◆ Ikke lad opp skadede batterier.
- ◆ Under ekstreme forhold kan det oppstå batterilekkasje. Hvis du oppdager væske på batteriene, tørk den forsiktig av med en klut. Unngå hudkontakt.
- ◆ I tilfeller hvor det oppstår kontakt med hud eller øyne, skal instruksjonene nedenfor følges.

**Advarsel!** Batterivæsken kan forårsake personskader eller materielle skader. Hvis den kommer i berøring med hud, må du straks skylle med vann. Hvis det oppstår rødhet, smerte eller irritasjon, søk legehjelp. Ved øyekontakt, rens umiddelbart med rent vann og søk legehjelp.

### Ladere

Laderen er utformet for en bestemt nettspenning. Kontroller at nettspenningen er i overensstemmelse med spenningen på typeskiltet.

**Advarsel!** Du må aldri forsøke å bytte laderen ut med et vanlig støpsel.

- ◆ Bruk din Black & Decker-lader kun sammen med batteriet som sitter i verktøyet ved levering. Andre typer batterier kan eksplodere og forårsake person- og materialskader.
- ◆ Forsøk aldri å lade ikke-oppladbare batterier.
- ◆ Hvis strømledningen skades, må den skiftes ut av produsenten eller et autorisert Black & Decker servicesenter for å unngå fare.
- ◆ Laderen må ikke komme i kontakt med vann.
- ◆ Laderen må ikke åpnes.

- ◆ Ikke undersøk laderen på egenhånd.
- ◆ Apparatet/verktøyet/batteriet må plasseres i et godt ventilert område ved lading.

Følgende symboler finnes på batteriet:



Brannfare! Unngå at metall kortslutter kontaktene på et batteri som er tatt ut (f.eks. ved oppbevaring av batteriet i en verktøykasse).



Batteriet må ikke brennes.

Følgende symboler finnes på laderen:



Laderen er kun beregnet på innendørs bruk.

### Etiketter på apparatet

Du finner følgende varselssymboler på apparatet:



Les bruksanvisningen før du bruker verktøyet.



Bruk vernebriller når du bruker dette apparatet.



Ikke tillat at barn og dyr oppholder seg nærmere arbeidsområdet enn 6 meter.



Ikke utsett apparatet for regn eller miljøer med høy fuktighet.

### Elektrisk sikkerhet



Laderen er dobbeltisoleret. Derfor er ikke jording nødvendig. Kontroller at nettspenningen er i overensstemmelse med spenningen på typeskiltet.

- ◆ Hvis strømledningen skades må den skiftes ut av fabrikanten eller et autorisert Black & Decker servicesenter for å unngå fare.
- ◆ **Advarsel!** Du må aldri forsøke å bytte laderen ut med et vanlig støpsel.

### Egenskaper

Dette verktøyet har noen av eller alle disse funksjonene.

1. Strømbryter
2. Låseknapp
3. Håndtak
4. Støttehåndtak
5. Krage for innstilling av høyde
6. Rør

7. Modusjusteringskrave
8. Hode
9. Kantstøtte
10. Vern
11. Trimmertråd
12. Spolehus
13. Skjærekniv for trimmertråd

## Montering

**Advarsel!** Unngå utilsiktet start av verktøyet ved montering.

### Montere beskyttelsen (fig. A)

- ◆ Plasser vernet (10) på verktøyet som vist.
- ◆ Trykk beskyttelsen ned til den klikker på plass.
- ◆ Fest beskyttelsen med skruen (14).

**Advarsel!** Ikke bruk verktøyet med mindre vernet er satt riktig på.

### Utløse trimmertråden

Ved forsendelse er trimmertråden tapet til spolehuset.

- ◆ Fjern tapen som fester trimmertråden (11) til spolehuset (12).

## Bruk

**Advarsel!** La verktøyet jobbe med sin egen hastighet. Ikke overbelast det.

### Lading av batteriet (fig. B)

Batteriet må lades før første gangs bruk, og alltid når verktøyet ikke lenger fungerer effektivt. Når batteriet lades for første gang, eller etter at det ikke har vært brukt i en periode, vil det bare akseptere 80% oppladning. Etter flere ladings- og utladingsperioder, vil batteriet oppnå full kapasitet. Batteriet kan bli varmt mens det lades. Dette er normalt og betyr ikke at noe er feil.

- ◆ Sett laderstøpslet (15) i laderkontakten (16) på baksiden av verktøyet.
- ◆ Kople laderen til et strømuttak.
- ◆ Slå på strømmen.

Batteriet kan stå koplet til laderen på ubestemt tid.

- ◆ Når du vil bruke verktøyet, kople du laderen fra verktøyet og trekker støpslet ut av stikkkontakten.

Levetiden til batteriet optimaliseres hvis batteriet koples til laderen når verktøyet ikke er i bruk. Når batteriet er fullt, bruker laderen kun ubetydelig strøm.

### Stille inn verktøyet for trimming eller kantklipping (fig. C - E)

Verktøyet kan brukes i trimmermodus, som vist i fig. C, eller i kantklippermodus for klipping av overhengende gress langs plenkanter og blomsterbed, som vist i fig. D.

### Trimmermodus (fig. C & E)

Ved trimming skal trimmerhodet være i posisjonen vist i fig. C. Hvis ikke:

- ◆ Hold i støttehåndtaket (4) med én hånd og ta kragen (7) i den andre hånden, som vist.
- ◆ Skyv hylsen i retning av trimmerhodet og dreii den mot klokken til trimmerhodet festes i posisjon for trimming.
- ◆ Slipp kraven.
- ◆ Sett kantstøtten (9) til bakre posisjon.

### Kantklippermodus (fig. D & E)

Ved kantklipping skal trimmerhodet være i posisjonen vist i fig. D. Hvis ikke:

- ◆ Hold i støttehåndtaket (4) med én hånd og ta kragen (7) i den andre hånden, som vist.
- ◆ Skyv kragen i retning av trimmerhodet, og dreii den mot klokken til trimmerhodet festes i posisjon for trimming.
- ◆ Slipp kraven.
- ◆ Sett kantguiden (9) til forlenget posisjon.

### Justering av høyden av verktøyet (fig. F).

Teleskoprøret (6) gjør at du kan stille inn verktøyet til en komfortabel høyde.

- ◆ Løsne kraven (5).
- ◆ Trekk ut røret for å øke høyden.
- ◆ Skyv sammen røret for å redusere høyden.
- ◆ Stram kraven.

### Start og stopp

For din egen sikkerhets skyld er dette verktøyet utstyrt med et dobbelt startesystem. Dette systemet gjør at du ikke kan starte verktøyet utilsiktet.

### Slå på

- ◆ Trykk låseknappen (2) bakover med tommelen samtidig som du klemmer på strømbryteren (1).
- ◆ Slipp låseknappen.

### Slå av

- ◆ Slipp strømbryteren (1).

**Advarsel!** Prøv aldri å låse strømbryteren i startstilling.

### Råd for optimalt resultat

#### Generelt

- ◆ Du oppnår optimale klipperesultater hvis du bare klipper tørt gress.

#### Trimming

- ◆ Hold verktøyet som vist i fig. C.
- ◆ Sving gresstrimmeren forsiktig fra side til side.

- ◆ Arbeid i flere omganger fra toppen av gresset hvis dette er langt. Klipp lite om gangen.
- ◆ Hold verktøyet i god avstand fra harde gjenstander og skjøre planter.
- ◆ Hvis verktøyet begynner å gå sakte, reduserer du belastningen.

## Kantklipping

Optimale klipperesultater oppnås for kanter som er dypere enn 50 mm.

- ◆ Ikke bruk verktøyet til å lage nye kanter. Bruk en kantspade når du skal lage nye kanter.
- ◆ Før verktøyet som vist i fig. D.
- ◆ Vil du klippe tettere, vipper du litt på verktøyet.

## Sette inn en ny spole med trimmertråd (fig. G)

Du får spoler med trimmertråd fra din Black & Decker-forhandler (katalognummer: A6481).

- ◆ Hold tappene (17) nede, og fjern spolebeskyttelsen (18) fra huset (12).
- ◆ Ta den tomme spolen (19) ut av spolehuset.
- ◆ Fjern smuss og gress fra spoledekslet og -huset.
- ◆ Ta den nye spolen og vikle av ca. 9 cm trimmertråd.
- ◆ Mat trimmertråden gjennom øyet (20).
- ◆ Skyv spolen inn på drivakselen (21) og dreii litt på den til den sitter på plass. Forsikre deg om at skjæretråden ikke sitter fast under spolen og at 9 cm skjæretråd stikker ut av huset.
- ◆ Sett tappene på spoledekslet mot hullene i huset.
- ◆ Trykk dekslet på huset til det klikker på plass.

**Advarsel!** Hvis trimmertrådene stikker ut forbi skjæreknivene (13), må de kuttes, slik at de så vidt når frem til bladet.

## Surr den nye tråden opp på en tom spole (fig. H & I)

Du får spoler med trimmertråd fra din Black & Decker-forhandler (katalognummer: A6170 (25 m) & A6171 (40 m)).

- ◆ Ta den tomme spolen ut av verktøyet som forklart over.
- ◆ Fjern eventuell resterende trimmertråd fra spolen.
- ◆ Mat 2 cm trimmertråd inn i ett av hullene (22) i spolen, som vist.
- ◆ Bøy trimmertråden og fest den i den L-formede åpningen (23).
- ◆ Surr trimmertråden opp på spolen i pilens retning (24). Forsikre deg om at du vikler tråden jevnt og lagvis. Ikke gå på kryss og tvers.
- ◆ Når den oppsurrede tråden når frem til innsparingene (25), kutter du den. La tråden stikke ca. 9 cm. ut av spolen, og sett en finger på tråden for å holde den på plass.
- ◆ Sett spolen på plass i verktøyet som forklart over.

**Advarsel!** Pass på at du bruker riktig type trimmertråd fra Black & Decker. Forsikre deg om at det er skjæretråd i begge seksjoner av spolen.

## Oppbevaring

Hvis verktøyet ikke skal brukes på flere måneder, bør batteriet helst være koplet til laderen. Ellers gjør du som følger:

- ◆ Lad batteriet helt opp.
- ◆ Oppbevar verktøyet på et sikkert og tørt sted. Temperaturen på oppbevaringsstedet må alltid være mellom +5 °C og +40 °C.
- ◆ Før du bruker verktøyet etter langvarig oppbevaring, må batteriet lades helt opp igjen.

## Problemløsning

Hvis verktøyet ikke ser ut til å fungere som det skal, følger du instruksjonene nedenfor. Hvis dette ikke løser problemet, kontakter du et autorisert Black & Decker-serviceverksted.

**Advarsel!** Unngå utilsiktet start av verktøyet.

## Verktøyet går sakte

- ◆ Sjekk at spolehuset kan rotere fritt. Rengjør det nøye, om nødvendig.
- ◆ Sjekk at skjæretråden ikke stikker mer enn 11 cm ut av spolehuset. Hvis den gjør det, kutter du den av, slik at den når akkurat frem til skjæreknivene for trimmertråd.

## Automatisk trådmating fungerer ikke

- ◆ Hold tappene inne, og fjern spolelokket fra huset.
- ◆ Trekk ut trimmertråden til den stikker 11 cm ut av huset. Hvis det ikke er nok trimmertråd igjen på spolen, installerer du en ny spole med trimmertråd som forklart ovenfor.
- ◆ Sett tappene på spoledekslet på linje med sporene i huset.
- ◆ Trykk dekslet på huset til det klikker på plass.
- ◆ Hvis trimmertråden stikker lengre ut enn til skjæreknivene, kutter du den av, slik at den akkurat når frem til kniven.

Hvis den automatiske trådmatingen ikke fungerer, eller spolen har satt seg fast, kan du prøve disse løsningene:

- ◆ Rengjør spoledeksel og -hus nøye.
- ◆ Ta ut spolen, og sjekk om hendelen kan bevegese fritt.
- ◆ Ta ut spolen, og vikle av trimmertråden. Vikle den så jevnt på igjen som forklart ovenfor. Sett spolen på plass som angitt.

## Vedlikehold

Ditt Black & Decker-apparat/verktøy med eller uten ledning er konstruert for å være i drift over en lang periode med et minimum av vedlikehold. Det er avhengig av godt vedlikehold og regelmessig rengjøring for å fungere som det skal til enhver tid.

**Advarsel!** Før du utfører vedlikehold på elektroverktøy med ledning eller batteri:

- ◆ Slå av og trekk ut støpselet av kontakten.
- ◆ Eller slå av og ta batteriet ut av apparatet/verktøyet hvis det har en separat batteripakke.

- ◆ Eller kjøp batteriet helt tomt hvis det er innebygd, for deretter å slå av.
- ◆ Trekk ut kontakten før du rengjør laderen. Laderen din behøver ikke annet vedlikehold enn at den rengjøres med jevne mellomrom.
- ◆ Rengjør ventilasjonsåpningene på apparatet/verktøyet/laderen regelmessig med en myk børste eller en tørr klut.
- ◆ Rengjør motorhuset regelmessig med en fuktig klut. Ikke bruk slipende eller løsemiddelbaserte rengjøringsmidler.
- ◆ Åpne opp chucken regelmessig, og slå lett på den for å fjerne eventuelt støv fra innsiden (når den er innebygd).

## Miljøvern



Kildesortering. Dette produktet må ikke kastes i det vanlige husholdningsavfallet.

Hvis du finner ut at Black & Decker-produktet ditt må skiftes ut, eller hvis du ikke lenger har bruk for det, må du unnlate å kaste det sammen med det vanlige husholdningsavfallet. Sørg for at dette produktet gjøres tilgjengelig for kildesortering.



Kildesortering av brukte produkter og emballasje gjør det mulig å resirkulere materialer og bruke dem igjen. Gjenbruk av resirkulerte materialer bidrar til å forhindre forurensning av miljøet og reduserer behovet for råmaterialer.

Lokale regelverk kan legge tilrette for kildesortering av elektriske produkter fra husholdningen, ved kommunale deponier eller gjennom forhandleren når du kjøper et nytt produkt.

Black & Decker har tilrettelagt for innsamling og resirkulering av Black & Decker-produkter etter at de har utspilt sin rolle. Ønsker du å benytte deg av denne tjenesten, returnerer du produktet ditt til et autorisert serviceverksted, som tar det imot og formidler det videre.

Du kan få adressen til ditt nærmeste autoriserte serviceverksted ved å kontakte ditt lokale Black & Decker-kontor på adressen oppgitt i denne håndboken. Du kan også finne en komplett liste over autoriserte Black & Decker-serviceverksteder og utfyllende informasjon om vår etter salg-service og kontaktnumre på Internett på følgende adresse: [www.2helpU.com](http://www.2helpU.com)

## Batterier



Beskytt miljøet ved å levere kasserte batterier til kildesortering.

- ◆ Batteriklemmene må ikke kortsluttes.
- ◆ Ikke kvitt deg med batteriene ved å brenne dem, da dette kan føre til risiko for personskade eller en eksplosjon.
- ◆ Kjør batteriet til det er helt flatt og ta det så ut av verktøyet.
- ◆ Batteriene er resirkulerbare. Legg batteriet/batteriene i en egnet innpakning for å sikre at kontaktene ikke kan kortsluttes. Ta dem med til en hvilken som helst autorisert forhandler eller en lokal kildesorteringsstasjon.

## Tekniske data

GLC13 H2	
Spenning	V <sub>DC</sub> 12
Hastighet ubelastet	min <sup>-1</sup> 7.500
Vekt	kg 3,2

---

Hånd/arm-vektet vibrasjonsverdi i henhold til EN 786: < 2,5



**Samsvarserklæring for EU**  
 MASKINDIREKTIVET  
 DIREKTIVET OM UNDERDØRS STØY



Black & Decker erklærer at produktene som beskrives under "tekniske data" oppfyller kravene til:  
 98/37/EU (til 28. desember 2009), 2006/42/EF (fra 29. desember 2009), 2004/108/EF, EN 60335-1, EN 60335-2-91

2000/14/EF, Gressklipper, L ≤ 50 cm, Bilag VIII

KEMA Quality B.V., Utrechtseweg 310, 6802 ED Arnhem,  
 Nederland  
 Notified Body ID No.: 0344

Nivået av akustisk effekt i henhold til 2001/14/EU (Artikkel 12, Bilag VIII, L ≤ 50 cm):  
 $L_{WA}$  (målt lydeffekt) 92 dB(A)  
 $L_{WA}$  (garantert lydeffekt) 94 dB(A)

For mer informasjon, kontakt Black & Decker på følgende adresse eller se bakerst i håndboken.

Undertegnede er ansvarlig for sammenstillingen av den tekniske filen og avgir denne erklæringen på vegne av Black & Decker.

Kevin Hewitt  
 Visepresident, Global Engineering  
 Black & Decker Europe, 210 Bath Road, Slough,  
 Berkshire, SL1 3YD  
 Storbritannia  
 10-12-2009

## Garanti

Black & Decker garanterer at produktet ikke har material- og/eller fabrikkasjonsfeil ved levering til kunde. Garantien er i tillegg til kundens lovlige rettigheter og påvirker ikke disse. Garantien gjelder innen medlemsstatene i den Europeiske Unionen og i det Europeiske Frihandelsområdet.

Hvis et Black & Decker produkt går i stykker på grunn av material- og/eller fabrikkasjonsfeil eller har mangler i forhold til spesifikasjonene, innen 24 måneder fra kjøpet, påtar Black & Decker seg å reparere eller bytte ut produktet med minst mulig vanskelighet for kunden.

Garantien gjelder ikke for feil som kommer av:

- ◆ normal slittasje
- ◆ feilaktig bruk eller vedlikehold (mislighold)
- ◆ at produktet har blitt skadet av fremmede gjenstander, emner eller ved et uhell

Det gjøres oppmerksom på at produktet ikke er beregnet på industriell/profesjonell/yrkesmessig bruk, men til hus- og hjemmebruk.

Garantien gjelder ikke om reparasjoner har blitt utført av noen andre enn et autorisert Black & Decker serviceverksted.

For å ta garantien i bruk skal produktet og kjøpekvitteing leveres til forhandleren eller til et autorisert serviceverksted senest 2 måneder etter at feilen har blitt oppdaget. For informasjon om nærmeste autoriserte serviceverksted; kontakt det lokale Black & Decker kontoret på den adressen som er angitt i bruksanvisningen. En oversikt over alle autoriserte serviceverksteder samt servicevilkår finnes også tilgjengelig på Internet, adresse: [www.2helpU.com](http://www.2helpU.com)

Vennligst stikk innom våre nettsider på [www.blackanddecker.no](http://www.blackanddecker.no) for å registrere ditt nye Black & Decker-produkt og for å holde deg oppdatert om nye produkter og spesialtilbud. Du finner mer informasjon om Black & Decker og produktutvalget vårt på [www.blackanddecker.no](http://www.blackanddecker.no)

## Reservdeler/Reparasjoner

Reservdeler kan kjøpes hos autoriserte Black & Decker serviceverksteder, som også gir kostnadsoverslag og reparerer våre produkter.

Oversikt over våre autoriserte serviceverksteder finnes på Internet, vår hjemmeside [www.blackanddecker.no](http://www.blackanddecker.no) samt [www.2helpU.com](http://www.2helpU.com)

## Anvendelsesområde

Din Black & Decker græstrimmer er lavet til at trimme og afslutte kanterne på græsplæner og klippe græs på svære tilgængelige steder. Apparatet er kun beregnet til brug af privatforbrugere.

Din Black & Decker oplader er lavet til at oplade batteriet på det værktøj, det er leveret sammen med.

## Sikkerhedsinstruktioner

### Generelle sikkerhedsforskrifter for apparatet



**Advarsel!** Når du anvender apparater med strømforsyning fra ledningsnettet eller fra batterier, skal grundlæggende sikkerhedsforanstaltninger, inklusiv de følgende, altid følges, for at formindske faren for brand, elektrisk stød og person- og sagsskader.

- ◆ Læs hele denne brugsanvisning omhyggeligt igennem, før apparatet anvendes.
- ◆ Brugen, den er bestemt for, er beskrevet i denne brugsanvisning. Brugen tilhører eller tilkoblingsudstyr eller udførelsen af andre operationer med dette apparat, end dem, som er anbefalet i denne brugsvejledning, kan medføre risiko for personskader.

**Opbevar alle advarsler og brugsanvisninger for fremtidig reference.** Udtrykket "apparat" i advarslerne henviser til dit apparat som tilsluttes det almindelige strømnet eller som virker ved hjælp af batterier.

### Brug af apparatet

Vær altid omhyggelig, når du bruger apparatet.

- ◆ Sørg for, at arbejdsområdet er rent og ryddeligt. Rodede eller uoplyste arbejdsområder øger faren for uheld.
- ◆ Brug kun apparatet i dagslys eller med god kunstig belysning.
- ◆ Brug ikke apparatet i omgivelser med eksplosionsfare, f.eks. hvor der er brændbare væsker, gasser eller støv.
- ◆ Tillad ikke børn eller personer, der ikke har kendskab til denne brugsanvisning, at arbejde med apparatet.
- ◆ Børn eller dyr må ikke nærme sig arbejdsområdet eller røre ved apparatets ledning.
- ◆ Sørg for, at børn, tilskuere og dyr bliver holdt på afstand, når el-værktøjet er i brug. Distraction kan medføre, at du mister kontrollen.
- ◆ Dette apparat må ikke bruges som legetøj.
- ◆ Dyp ikke apparatet ned i vand.
- ◆ Åbn ikke værktøjshuset. Der er ingen interne dele, som brugeren skal have adgang til.

### Personlig sikkerhed

- ◆ Vær opmærksom, hold øje med, hvad du laver, og brug el-værktøjet fornuftigt. Man bør ikke bruge apparatet, hvis man er træt, har nydt alkohol eller er påvirket af medicin eller euforiserende stoffer. Få sekunders uopmærksomhed ved brug af apparatet kan føre til alvorlige personskader.
- ◆ Når påkrævet, anvend personligt sikkerhedsudstyr. Beskyttelsesudstyr, som for eksempel øjenbeskyttelse, støvmaske, skridsikre sikkerhedssko, beskyttelseshjelm eller høreværn anvendt korrekt reducerer personskader.
- ◆ Forebyg umotiveret opstart. Vær sikker på, at kontakten er slukket før du forbinder kraftkilden og/eller batteriet, løfter eller bærer apparatet. Hvis du bærer på apparater med din finger på kontakten eller starter apparater med kontakten slået til indbyder du til ulykker.
- ◆ Overvurder ikke dig selv. Sørg for, at du altid har sikkert fodfæste og balance. Det gør det nemmere at kontrollere apparatet, hvis der skulle opstå uventede situationer.
- ◆ Klæd dig korrekt på. Undgå løse beklædningsgenstande eller smykker. Hold hår, tøj og handsker væk fra dele, der bevæger sig. Bevægelige dele kan gribe fat i løstsiddende tøj, smykker eller langt hår.

### Brug og vedligeholdelse af apparat

- ◆ Inden apparatet anvendes, skal det kontrolleres for beskadigede eller defekte dele. Kontroller for brud på delene, for skader på knapper og andet, der kan have indflydelse på apparatets funktion.
- ◆ Brug ikke apparatet, hvis den ikke kan tændes og slukkes ved hjælp af afbryderen. Alt apparat, der ikke kan reguleres med afbryderen, er farligt og skal repareres.
- ◆ Træk stikket ud af stikkontakten og/eller afmonter batteriet fra apparater inden indstilling, tilbehørsudskiftning eller oprydning af apparater. Disse sikkerhedsforanstaltninger reducerer risikoen for utilsigtet start af apparatet.
- ◆ Sørg for, om muligt, at skæreværktøjer er skarpe og rene. Omhyggeligt vedligeholdt skæreværktøjer med skarpe skærekanten sætter sig ikke så hurtigt fast og er nemmere at føre.
- ◆ Apparatet må ikke anvendes, hvis nogen dele er beskadigede eller defekte.
- ◆ Skadede eller defekte dele skal repareres eller udskiftes af en autoriseret tekniker.
- ◆ Der må ikke gøres forsøg på at fjerne eller udskifte dele, som ikke er nævnt i denne håndbog.

### El-sikkerhed

- ◆ Apparatstik skal passe til kontakten. Stikkene må under ingen omstændigheder ændres. Brug ikke adapterstik sammen med jordforbundet apparat. Uændrede stik, der passer til kontakterne, nedsætter risikoen for elektrisk stød.

- ◆ Apparat må ikke udsættes for regn eller fugt. Indtrængen af vand i apparat øger risikoen for elektrisk stød.
- ◆ Undgå at belaste ledningen. Undgå at bære, trække eller afbryde apparatet ved at rykke i ledningen. Beskyt ledningen mod varme, olie, skarpe kanter eller dele, der er i bevægelse. Beskadigede eller indviklede ledninger øger risikoen for elektrisk stød.
- ◆ Når situationen passer hertil. Hvis apparat benyttes i det fri, skal der benyttes en forlængerledning, som er godkendt til udendørs brug. Brug af en forlængerledning til udendørs brug nedsætter risikoen for elektrisk stød.
- ◆ Ved anvendelse af et apparat i områder med fugt, anvend da en strømforsyning forsynet med fejlstrømsafbryder. Denne afbryder reducerer risikoen for elektrisk stød.

### Brug og vedligeholdelse af batteriværktøj (kun for kabelfrit apparat)

- ◆ Oplades kun ved hjælp af opladere, der er anbefalet af fabrikanten. En oplader, der er egnet til en bestemt type batterier, kan medføre brandfare, hvis det bruges med andre batterityper.
- ◆ Brug kun apparater med specifikt fremstillede batterier. Brug af andre batterier kan øge risikoen for personskader og er forbundet med brandfare.
- ◆ Batterier, der ikke er i brug, må ikke komme i berøring med andre metalgenstande som f.eks. kontorclips, mønter, nøgler, søm, skruer eller andre små metalgenstande, da disse kan kortslutte kontakterne. En kortslutning mellem batteripolerne kan medføre forbrændinger eller brand.
- ◆ Hvis batteriet anvendes forkert, kan der slippe væske ud af det. Undgå kontakt med denne væske. Hvis der alligevel skulle forekomme kontakt, skylles med vand. Søg læge, hvis væsken kommer i øjnene. Væske fra batteriet kan give hudirritation eller forbrændinger.

### Efter brug

- ◆ Når apparatet ikke er i brug, skal det opbevares på et tørt, velventileret sted udenfor børns rækkevidde.
- ◆ Børn må ikke have adgang til opbevarede apparater.
- ◆ Når apparatet opbevares eller transporteres i en bil, bør det anbringes i bagagerummet eller sættes fast, så man undgår, at det bevæger sig ved pludselige ændringer i hastighed eller retning.

### Service

- ◆ Sørg for, at apparatet kun repareres af kvalificerede fagfolk, og at der kun benyttes originale reservedele. Dermed bevares apparatets sikkerhed.

### Ekstra sikkerhedsvejledning til græstrimmere

Følgende advarselssymboler findes på værktøjet:



Læs brugsanvisningen igennem, inden maskinen tages i brug.



Bær sikkerhedsbriller, når du arbejder med dette værktøj.



Hold mennesker og dyr mindst 6 meter fra græsslåningsområdet.



Udsæt ikke værktøjet for regn eller høj fugtighed.

- ◆ Vær fortrolig med knapperne og den korrekte brug af værktøjet.
- ◆ Brug kun værktøjet i dagslys eller med god kunstig belysning.
- ◆ Før brug kontrolleres ledningen og forlængerledningen for tegn på skader, ældning og slid. Hvis en ledning beskadiges under brugen, skal den straks trækkes ud af kontakten. **BERØR IKKE LEDNINGEN, FØR DER ER SLUKKET FOR STRØMMEN.**
- ◆ Brug ikke værktøjet, hvis ledningerne er blevet slidt eller beskadiget.
- ◆ Bær kraftige sko eller støvler til beskyttelse af fødderne.
- ◆ Bær lange bukser til beskyttelse af benene.
- ◆ Før du benytter værktøjet, skal du kontrollere, at slåområdet er fri for pinde, sten, ståltråd eller andre hindringer.
- ◆ Brug kun værktøjet, mens du står op med trimmertråden nede ved jorden. Indtag aldrig andre stillinger, når du tænder for værktøjet.
- ◆ Bevæg dig langsomt med værktøjet. Vær opmærksom på, at frisk afskåret græs er fugtigt og fedtet.
- ◆ Arbejd ikke på meget stejle skråninger. Arbejd på tværs af skråninger, ikke op og ned.
- ◆ Man må aldrig krydse grusstier eller veje, mens værktøjet er i gang.
- ◆ Man må aldrig røre ved trimmertråden, mens værktøjet er i gang.
- ◆ Sæt ikke værktøjet fra dig, før trimmertråden er fuldstændigt stoppet.
- ◆ Brug kun den rigtige type trimmertråd. Brug aldrig trimmertråd af metal eller fiskesnøre.
- ◆ Pas på, du ikke berører skærebladet til trimmertråden.
- ◆ Vær omhyggelig med at holde strømkablet væk fra trimmertråden. Vær altid opmærksom på, hvor ledningen er.
- ◆ Hold altid hænder og fødder væk fra trimmertråden, især når motoren startes.
- ◆ Advarsel! Skæreelementerne fortsætter med at rotere et stykke tid, efter at værktøjet er slukket.
- ◆ Brug aldrig værktøjet, hvis beskyttelseskærmen er beskadiget eller ikke er på plads.

- ◆ Sørg altid for, at ventilationsrillerne holdes fri for debris.
- ◆ Før du bruger apparatet og efter eventuelle ydre påvirkninger kontrolleres det for tegn på skader, og det reparerer efter behov.
- ◆ Vær forsigtig for at undgå at blive skadet af udstyr, installeret til trimning af trådens længde. Efter at have trukket ny trimmertråd frem skal man altid sætte maskinen tilbage til normal arbejdsposition, før man tænder for det igen.
- ◆ Brug ikke græstrimmeren (kantrimmeren), hvis ledningerne er blevet slidt eller beskadiget.
- ◆ Hold forlængerledninger væk fra skæreelementer.

## Andres sikkerhed

- ◆ Dette apparat er ikke egnet for at brug af personer (inklusive børn) med manglende fysiske, sensorielle eller mentale evner eller erfaring, med mindre de har modtaget undervisning eller instruktioner i brug af apparatet fra en person, som er ansvarlig for sikkerheden.
- ◆ Der skal være opsyn med børn for at sikre, at de ikke leger med apparatet.

## Ekstra sikkerhedsinstruktioner for batterier og ladere

### Batterier

- ◆ Man må aldrig forsøge at åbne et batteri.
- ◆ Udsæt det ikke for vand.
- ◆ Det må ikke opbevares i lokaler, hvor temperaturen overstiger 40 °C.
- ◆ Det må kun oplades ved omgivelsestemperaturer mellem 10 °C og 40 °C.
- ◆ Oplad kun med den vedlagte oplader. Anvendelse af forkert oplader kan medføre elektrisk stød eller overophedning af batteriet.
- ◆ Ved kassering af batterier, skal man følge vejledningen i afsnittet "Beskyttelse af miljøet".
- ◆ Undgå at deformere eller beskadige batteriet ved punktering eller stød, da dette kan give risiko for kvæstelser eller brand.
- ◆ Oplad ikke et beskadiget batteri.
- ◆ Under ekstreme forhold kan der forekomme batteriutætheder. Hvis du opdager væske på batterierne, så tør den forsigtigt af med en klud. Undgå kontakt med huden.
- ◆ I tilfælde af at væsken kommer i kontakt med huden, skal man følge nedenstående vejledning.

**Advarsel!** Batterivæsken kan forårsage personskade eller materielle skader. Ved hudkontakt skal stedet omgående skylles med vand. Forekommer der udslæt, smerte eller irritation, så søg læge. Ved øjenkontakt skylles straks med rent vand. Søg derefter læge.

### Opladere

Din oplader er beregnet til en specifik netspænding. Før brug skal det altid kontrolleres, at netspændingen svarer til den, der er angivet på typeskiltet.

**Advarsel!** Forsøg aldrig at udskifte opladerenheden med et almindeligt netstik.

- ◆ Din Black & Decker lader må kun benyttes til at oplade batteriet som følger med værktøjet. Andre batterier kan eksplodere og derved forårsage personskader og skader på ting.
- ◆ Man må aldrig forsøge at genoplade ikke-opladelige batterier.
- ◆ Hvis el-ledningen er skadet, skal den udskiftes af producenten eller et autoriseret Black & Decker servicecenter for at undgå ulykker.
- ◆ Udsæt ikke opladeren for vand.
- ◆ Opladeren må ikke åbnes.
- ◆ Opladeren må ikke manipuleres.
- ◆ Apparatet/værktøjet/batteriet skal placeres i et velventileret område ved opladning.

Følgende symboler findes på batteriet:



Brandfare! Undgå at kortslutte kontakterne på et frakoblet batteri (f.eks. ved at opbevare batteriet i en værktøjskasse).



Brænd ikke batteriet.

Følgende symboler findes på opladeren:



Opladeren er kun beregnet til indendørs brug.

### Etiketter på apparatet

Følgende advarselssymboler findes på apparatet:



Læs brugsanvisningen igennem, inden apparatet tages i brug.



Bær sikkerhedsbriller, når du arbejder med dette apparat.



Hold mennesker og dyr mindst 6 meter fra græsslåsingsområdet.



Udsæt ikke apparatet for regn eller høj fugtighed.

## El-sikkerhed



Din oplader er dobbelt isoleret. Derfor er jordledning ikke nødvendig. Før brug skal det kontrolleres, at netspændingen svarer til den, der er angivet på typeskiltet.

- ◆ Hvis el-ledningen er skadet, skal den udskiftes af producenten eller et autoriseret Black & Decker servicecenter for at undgå ulykker.
- ◆ **Advarsel!** Forsøg aldrig at udskifte opladerenheden med et almindeligt netstik.

## Funktioner

Dette værktøj har nogle af eller alle følgende funktioner.

1. Afbryder
2. Låseknop
3. Håndtag
4. Støttehåndtag
5. Manchet til indstilling af højde
6. Skaft
7. Manchet til funktionsjustering
8. Hoved
9. Kantguide
10. Beskyttelsesskærm
11. Trimmertråd
12. Spolehus
13. Skæreblad til trimmertråden

## Montering

**Advarsel!** Undgå utilsigtet start under samling af værktøj.

### Påsætning af beskyttelsesskærmen (fig. A)

- ◆ Anbring beskyttelsesskærmen (10) på værktøjet som vist.
- ◆ Tryk fast på beskyttelsesskærmen, indtil den klikker på plads.
- ◆ Fastgør beskyttelsesskærmen med skruen (14).

**Advarsel!** Brug aldrig værktøjet, hvis beskyttelsesskærmen ikke sidder ordentligt fast.

### Løsning af trimmertråden

I passagen tapes trimmertråden til spolehuset.

- ◆ Fjern den tape, der fæster trimmertråden (11) til spolehuset (12).

## Anvendelse

**Advarsel!** Lad værktøjet arbejde i dets eget tempo. Det må ikke overbelastes.

## Opladning af batteriet (fig. B)

Batteriet skal oplades, før det tages i brug for første gang, samt når det ikke er i stand til at yde tilstrækkelig kraft til opgaver, som normalt udføres uden besvær. Når batteriet oplades for første gang eller efter en længere periode ude af brug, kan det kun oplades 80%. Efter adskillige opladnings- og afladningsperioder opnår batteriet fuld kapacitet. Batteriet kan blive opvarmet under opladning. Dette er normalt og er ikke ensbetydende med, at der er problemer.

- ◆ Sæt opladerstikket (15) i opladerkontakt (16) på bagsiden af værktøjet.
- ◆ Stik opladeren i en stikkontakt.
- ◆ Tænd for kontakten.

Batteriet kan være tilsluttet opladeren på ubestemt tid.

- ◆ Når du vil bruge værktøjet, fjernes opladerstikket fra værktøjet og afbryd opladeren.

For at maksimere batteriets levetid anbefales det at lade batteriet være tilsluttet opladeren, når værktøjet ikke er i brug. Når batteriet er fuldt opladet, er strømforbruget i opladeren minimalt.

## Indstilling af værktøjet til trimnings- eller kantklipningsindstilling (fig. C - E)

Værktøjet kan bruges i trimningsindstilling som vist på fig. C eller i kantklipningsindstilling for at trimme udhængende græs langs med græsplænekanten og blomsterbedene som vist på fig. D.

### Trimningsindstilling (fig. C & E)

Til trimning skal trimmerens hoved være i den position, der er vist på fig. C. Hvis den ikke er det, skal du gøre følgende:

- ◆ Hold på støttehåndtaget (4) med den ene hånd, og tag manchetten (7) i den anden hånd.
- ◆ Skub manchetten i retning af trimmerhovedet, og drej den mod uret, indtil trimmerhovedet kommer i trimningsposition.
- ◆ Løsn manchetten.
- ◆ Indstil kantguiden (9) til den tilbagetrukne position.

### Kanttrimning (fig. D & E)

Til kantklipning skal trimmerens hoved være i den position, der er vist på fig. D. Hvis den ikke er det, skal du gøre følgende:

- ◆ Hold på støttehåndtaget (4) med den ene hånd, og tag manchetten (7) i den anden hånd.
- ◆ Skub manchetten i retning af trimmerhovedet, og drej den med uret, indtil trimmerhovedet kommer i trimningsposition.
- ◆ Løsn manchetten.
- ◆ Indstil kantguiden (9) til den udstrakte position.

## Justering af værktøjets højde (fig. F)

Med teleskopskaffet (6) kan du indstille værktøjet til en behagelig arbejdhøjde.

- ◆ Løsn manchetten (5).
- ◆ Øg højden ved at trække skaftet ud.

- ◆ Reducér højden ved at skubbe skaftet sammen.
- ◆ Spænd manchetten.

## Start og stop

For brugerens sikkerhed er dette værktøj udstyret med et dobbelt kontaktsystem. Dette system forhindrer dig i at starte værktøjet uforvarende.

## Tænding

- ◆ Tryk låseknappen (2) tilbage med tommelfingeren og tryk samtidig på afbryderknappen (1).
- ◆ Slip låseknappen.

## Slukning

- ◆ Løsn afbryderknappen (1).

**Advarsel!** Forsøg aldrig at fastlåse udløserarmen på positionen tændt.

## Gode råd til optimalt brug

### Generelt

- ◆ Hvis du vil opnå optimale klipperesultater, skal du kun klippe, når græsset er tørt.

### Trimning

- ◆ Hold værktøjet som vist på fig. C.
- ◆ Sving trimmeren blødt fra side til side.
- ◆ Hvis du arbejder i højt græs, skal du slå det i flere omgange fra toppen. Tag små afskæringer ad gangen.
- ◆ Hold værktøjet væk fra hårde objekter og sarte planter.
- ◆ Hvis værktøjet begynder at køre langsomt, skal belastningen reduceres.

### Kantklipping

Du opnår de mest optimale klipningsresultater på kanter, der er dybere end 50 mm.

- ◆ Brug ikke værktøjet til at lave kanter med. Brug i stedet en kantspade.
- ◆ Styr værktøjet som vist på fig. D.
- ◆ Stil værktøjet skråt, hvis du vil lave en tættere klipping.

### Isætning af en ny trimmertråd-spole (fig. G)

Nye spoler med trimmertråd kan fås hos din Black & Decker-forhandler (katalognummer: A6481).

- ◆ Hold tapperne (17) inde, og fjern spoledækslet (18) fra huset (12).
- ◆ Fjern den tomme spole (19) fra spolehuset.
- ◆ Fjern al snavs og græs fra spoledækslet og -huset.
- ◆ Tag den nye spole, og vind cirka 9 cm af trimmertråden af.
- ◆ Stik trimmertråden gennem hullet (20).
- ◆ Skub spolen fast på drevskaftet (21), og drej den let, indtil den sidder fast.

- Sørg for, at trimmertråden ikke sætter sig fast under spolen, og at 9 cm af trimmertråden stikker ud fra huset.
- ◆ Justér knapperne på spoledækslet efter hullerne i huset.
- ◆ Skub dækslet på huset, indtil det klikker sikkert på plads.

**Advarsel!** Hvis trimmertrådene stikker ud på den anden side af skærebladet på trimmeren (13), skal de skæres af, så de netop når skærebladet.

### Sådan snos en ny tråd på en tom spole (fig. H & I)

Nye spoler med trimmertråd kan fås hos din Black & Decker-forhandler (katalognummer: A6170 (25 m) & A6171 (40 m)).

- ◆ Fjern den tomme spole fra værktøjet som beskrevet ovenfor.
- ◆ Fjern al resterende trimmertråd fra spolen.
- ◆ Stik 2 cm af trimmertråden ind i et af hullerne (22) i spolen som vist.
- ◆ Bøj trimmertråden, og fæst den i den L-formede rille (23).
- ◆ Sno trimmertråden på spolen i pilens retning (24). Sørg for at sno tråden pænt og i lag. Lav ikke vindinger på kryds og tværs.
- ◆ Når den vundne trimmertråd er nået til markeringerne (25), skæres tråden af. Lad tråden stikke cirka 9 cm ud fra spolen, og sæt en finger på tråden for at holde den på plads.
- ◆ Fortsæt som beskrevet ovenfor med at sætte spolen på værktøjet.

**Advarsel!** Brug kun den rigtige type trimmertråd fra Black & Decker. Sørg for, at der er trimmertråd i begge dele af spolen.

### Opbevaring

Hvis værktøjet ikke skal bruges i flere måneder, er det bedst at lade batteriet være tilsluttet opladeren. Gør i modsat fald følgende:

- ◆ Oplad batteriet fuldstændigt.
- ◆ Opbevar værktøjet tørt og sikkert. Opbevaringstemperaturen skal altid være mellem +5 °C og +40 °C.
- ◆ Før værktøjet tages i brug igen efter længere tids opbevaring, skal batteriet oplades fuldt igen.

### Fejlfinding

Hvis værktøjet ikke virker korrekt, skal du gøre følgende. Hvis det ikke løser problemet, kontaktes et Black & Decker servicecenter.

**Advarsel!** Undgå utilsigtet start af værktøjet.

### Værktøjet kører langsomt

- ◆ Kontrollér, at spolehuset kan rotere frit. Rens det eventuelt.
- ◆ Kontrollér, at trimmertråden ikke stikker mere end 11 cm ud fra spolehuset. Hvis det er tilfældet, skal den skæres af, så den netop når skærebladet til trimmertråden.

## Den automatiske trådføder virker ikke

- ◆ Hold knapperne inde, og fjern spoiledækslet fra huset.
- ◆ Træk i trimmertråden, til den stikker 11 cm ud fra huset.  
Hvis der ikke er tilstrækkelig meget tråd på spolen, skal du indsætte en ny spole trimmertråd som beskrevet ovenfor.
- ◆ Tilpas knapperne på spoiledækslet til hullerne i huset.
- ◆ Skub dækslet på huset, indtil det klikker sikkert på plads.
- ◆ Hvis trimmertråden stikker ud på den anden side af skærebladet på trimmeren, skal den skæres af, så den netop når skærebladet.

Hvis den automatiske trådføder stadig ikke virker, eller hvis spolen er blokeret, kan du prøve følgende:

- ◆ Rens omhyggeligt spoiledækslet og -huset.
- ◆ Fjern spolen, og kontrollér, at armen kan bevæge sig frit.
- ◆ Fjern spolen, og sno trimmertråden af. Vind den derefter pænt på spolen igen som beskrevet ovenfor. Sæt spolen på plads igen som beskrevet.

## Vedligeholdelse

Dit el-/batteridrevne Black & Decker apparat/værktøj er designet til at være i drift i lang tid og med minimal vedligeholdelse. Fortsat tilfredsstillende anvendelse afhænger af, at værktøjet behandles korrekt og gøres rent med regelmæssige mellemrum.

**Advarsel!** Før der udføres vedligeholdelse af el-/batteridrevne værktøj:

- ◆ Sluk for apparatet/værktøjet og træk stikket ud af kontakten.
- ◆ Eller sluk og fjern batteriet fra apparatet/værktøjet, hvis apparatet/værktøjet har et separat akkumulatorbatteri.
- ◆ Aflad ellers batteri helt, hvis det er integreret, og sluk derefter.
- ◆ Tag opladeren ud af stikkontakten før rengøring. Opladeren kræver ingen anden vedligeholdelse end regelmæssig rengøring.
- ◆ Rengør regelmæssigt apparatets/værktøjets ventilationshuller og oplader med en blød børste eller en tør klud.
- ◆ Man skal regelmæssigt gøre motorhuset rent med en fugtig klud. Man må ikke bruge rensmidler med slibemidler eller opløsningsmidler.
- ◆ Man skal regelmæssigt åbne patronen og banke den let for at fjerne støv fra dens indre (når den er installeret).

## Beskyttelse af miljøet



Separat indsamling. Dette produkt må ikke bortskaffes sammen med almindeligt husholdningsaffald.



Separat indsamling af brugte produkter og emballage gør det muligt at genbruge materialer. Genbrugte materialer forebygger miljøforurening og nedbringer behovet for råstoffer.

Lokale regler kan give mulighed for separat indsamling af elektriske husholdningsprodukter på kommunale lossepladser eller hos den forhandler, som du købte produktet af.

Black & Decker har en facilitet til indsamling og genbrug af Black & Decker-produkter, når deres levetid er slut.

Få fordelene ved denne service ved at returnere produktet til en autoriseret tekniker, der samler værktøj sammen på vores vegne.

Du kan få oplyst den nærmeste autoriserede tekniker ved at kontakte det lokale Black & Decker-kontor på den adresse, der er angivet i denne brugsanvisning. Alternativt findes der en liste over autoriserede Black & Decker-teknikere og oplysninger om vores eftersalgsservice og kontaktpersoner på Internettet på adressen: [www.2helpU.com](http://www.2helpU.com)

## Batterier



Efter endt funktionstid skal batterierne kasseres med omtanke for miljøet.

- ◆ Kortslut ikke batteripolerne.
- ◆ Brænd ikke batteriet(erne), da dette kan lede til personskade eller eksplosion.
- ◆ Aflad batteriet fuldstændigt, og fjern det derefter fra værktøjet.
- ◆ Batterierne kan genanvendes. Læg batteriet(erne) i en dertil egnet emballage for at undgå, at polerne kortsluttes. Bring dem til en autoriseret tekniker eller en lokal genbrugscentral.

## Tekniske data

	GLC13 H2	
Spænding	V <sub>DC</sub>	12
Ubelastet hastighed	min <sup>-1</sup>	7.500
Vægt	kg	3,2

Hånd/arm målte vibrationsværdi i henhold til EN 786: < 2,5

Hvis du en dag skal udskifte dit Black & Decker produkt, eller hvis du ikke skal bruge det længere, må du ikke bortskaffe det sammen med husholdningsaffald. Dette produkt skal være tilgængeligt for separat indsamling.

**EU overensstemmelseserklæring**

MASKINDIREKTIV  
DIREKTIV FOR UDENDØRSSTØJ



GLC13

Black & Decker erklærer, at disse produkter, beskrevet under "tekniske data", overholder følgende:

98/37/EF (indtil Dec. 28, 2009), 2006/42/EF  
(fra Dec. 29, 2009), 2004/108/EF, EN 60335-1, EN 60335-2-91

2000/14/EF, Plæneklipper, L ≤ 50 cm, Anneks VIII

KEMA Quality B.V., Utrechtseweg 310, 6802 ED Arnhem,  
Nederlandene  
Notified Body ID No.: 0344

Niveau for akustisk kraft i overensstemmelse med 2000/14/EF  
(Artikel 12, Anneks VIII, L ≤ 50 cm):

$L_{WA}$  (målt akustisk kraft) 92 dB(A)

$L_{WA}$  (garanteret akustisk kraft) 94 dB(A)

For mere information, kontakt venligst Black & Decker på  
følgende adresse eller på adressen bagerst  
i brugsanvisningen.

Undertegnede er ansvarlig for kompilering af den tekniske fil  
og laver denne erklæring på vegne af Black & Decker.

Kevin Hewitt  
Vice-President Global Engineering  
Black & Decker Europe, 210 Bath Road, Slough,  
Berkshire, SL1 3YD  
Storbritannien  
10-12-2009

**Reserve dele/Reparationer**

Reserve dele kan købes hos autoriserede Black & Decker  
serviceværksteder, som giver forslag til omkostninger og  
reparerer vore produkter. Oversigt over vore autoriserede  
værksteder findes på internettet på vor hjemmeside  
[www.blackanddecker.dk](http://www.blackanddecker.dk) samt [www.2helpU.com](http://www.2helpU.com)

**Garanti**

Black & Decker garanterer, at produktet er fri for materielle  
skader og/eller fabrikationsfejl ved levering til kunden.  
Garantien er et tillæg til konsumentens lovlige rettigheder og  
påvirker ikke disse. Garantien gælder indenfor  
medlemsstaterne af den Europæiske Union og i det  
Europæiske Frihandelsområde.

Hvis et Black & Decker produkt går i stykker på grund af  
materiel skade og/eller fabrikationsfejl eller på anden måde  
ikke fungerer i overensstemmelse med specifikationen, inden  
for 24 måneder fra købsdatoen, påtager Black & Decker sig at  
reparere eller ombytte produktet med mindst muligt besvær  
for kunden.

Garantien gælder ikke for fejl og mangler, der er sket  
i forbindelse med:

- ◆ normal slitage
- ◆ uheldige følger efter unormal anvendelse af værktøjet
- ◆ overbelastning, hærværk eller overdrevent intensivt brug  
af værktøjet
- ◆ ulykkehændelse

Garantien gælder ikke hvis reparationer er udført af nogen  
anden end et autoriseret Black & Decker værksted.

For at udnytte garantien skal produktet og købskvitteringen  
indleveres til forhandleren eller til et autoriseret værksted,  
senest 2 måneder efter at fejlen opdages. For information om  
nærmeste autoriserede værksted: kontakt det lokale  
Black & Decker kontor på den adresse som er opgivet i  
brugsanvisningen. Liste over alle autoriserede Black & Decker  
serviceværksteder samt servicevilkår er tilgængelig på  
internettet, på adressen [www.2helpU.com](http://www.2helpU.com)

Gå venligst ind på vores website [www.blackanddecker.dk](http://www.blackanddecker.dk) for  
at registrere dit nye produkt og for at blive holdt ajour om nye  
produkter og specialtilbud. Der findes yderligere oplysninger  
om mærket Black & Decker og vores produktsortiment på  
adressen [www.blackanddecker.dk](http://www.blackanddecker.dk)



## Käyttötarkoitus

Black & Decker -nurmikonviimeistelijä on suunniteltu nurmikon reunojen viimeistelyyn ja nurmikon leikkaukseen ahtaissa paikoissa. Laitte on tarkoitettu ainoastaan kuluttajan käyttöön.

Black & Deckerin laturi on suunniteltu ainoastaan työkalun mukana toimitetun akun lataamiseen.

## Turvaohjeet

### Laitteen yleiset turvallisuusohjeet



**Varoitus!** Sähkö-/akkulaitteita käytettäessä on aina noudatettava mm. seuraavia turvallisuusohjeita, jotta tulipalojen, sähköiskujen, henkilövahinkojen ja materiaaliavurioiden riski olisi mahdollisimman pieni.

- ◆ Lue käyttöohje huolellisesti ennen laitteen käyttöönottoa.
- ◆ Laitteen käyttötarkoitus kuvataan tässä käyttöohjeessa. Käytä laitetta ainoastaan sen käyttötarkoitukseen, ja käytä vain tässä käyttöohjeessa suositeltuja lisävarusteita ja lisälaitteita. Ohjeesta poikkeava käyttö voi aiheuttaa henkilövahinkovaaran.

**Säilytä nämä ohjeet hyvin.** Varoituksissa mainittu käsite "laitte" tarkoittaa verkkovirtakäyttöistä (verkkojohdolla varustettua) laitetta tai akkukäyttöistä (ilman verkkojohtoa) laitetta.

### Laitteen käyttö

Ole aina huolellinen käyttäessäsi laitetta.

- ◆ Pidä työskentelyalue puhtaana ja hyvin valaistuna. Epäjärjestyksessä olevilla ja valaisemattomilla työalueilla voi tapahtua tapaturmia.
- ◆ Käytä laitetta vain päivänvalossa tai hyvässä keinovalaisuksessa.
- ◆ Älä työskentele laitteella räjähdysalttiissa ympäristössä, jossa on palavaa nestettä, kaasua tai pölyä.
- ◆ Älä anna lasten tai kenenkään, joka ei ole lukenut tätä käyttöohjetta, käyttää laitetta.
- ◆ Älä anna lasten tai eläinten tulla lähelle työskentelyaluetta tai koskea sähköjohtoon.
- ◆ Pidä lapset, sivulliset ja eläimet loitolla kun käytät laitetta. Voit menettää laitteesi hallinnan huomiosi suuntautuessa muualle.
- ◆ Laitetta ei saa käyttää leluna.
- ◆ Älä upota laitetta veteen.
- ◆ Älä avaa ulko kuorta. Laitteen sisällä ei ole käyttäjän huollettavissa olevia osia.

## Henkilöturvallisuus

- ◆ Ole valpas, kiinnitä huomiota työskentelyysi ja noudata tervettä järkeä laitetta käytettäessäsi. Älä käytä laitetta, jos olet väsynyt tai huumeiden, alkoholin tai lääkkeiden vaikutuksen alaisena. Hetken tarkkaamattomuus laitetta käytettäessä saattaa johtaa vakavaan loukkaantumiseen.
- ◆ Käytä tarvittaessa suojarusteita. Suojarusteet, kuten silmäsuojaimet, pölynsuojanaamari, luistamattomat turvajalkineet, kypärä ja kuulosuojaimet pienentävät, tilanteen mukaan oikein käytettyinä, loukkaantumisriskiä.
- ◆ Vältä sähkötyökalun tahatonta käynnistämistä. Varmista, että käynnistyskytkin on asennossa "off", ennen kuin kytket pistokkeen pistorasiaan tai kannat laitetta. Jos kannat laitetta sormi käynnistyskytkimellä tai kytket laitteen pistokkeen pistorasiaan käynnistyskytkimen ollessa käyntiasennossa, altistat itsesi onnettomuuksille.
- ◆ Älä kurkota. Seiso aina tukevasti ja tasapainossa. Täten voit paremmin hallita laitetta odottamattomissa tilanteissa.
- ◆ Käytä tarkoitukseen soveltuvia vaatteita. Älä käytä löysiä työvaatteita tai koruja. Pidä hiukset, vaatteet ja käsi neet loitolla liikkuvista osista. Vältä vaatteet, korut ja pitkät hiukset voivat takertua liikkuviin osiin.

## Laitteen käyttö ja huolto

- ◆ Tarkista ennen käyttöä, ettei laitteessa ole vaurioita tai viallisia osia. Tarkista, ettei laitteessa ole rikkinäisiä osia, vaurioituneita kytkimiä tai muita seikkoja, jotka saattavat vaikuttaa sen toimintaan.
- ◆ Älä käytä laitetta, jos se ei käynnisty ja pysähdy virrankatkaisijasta. Laitte, jota ei enää voida käynnistää ja pysäyttää virrankatkaisimesta, on vaarallinen ja se täytyy korjata.
- ◆ Irrota pistoke pistorasiasta, ennen kuin suoritat säätöjä, vaihdat tarvikkeita tai siirät laitteen varastoitavaksi. Nämä turvatoimenpiteet vähentävät laitteen tahatonta käynnistysriskiä.
- ◆ Pidä leikkausterät terävinä ja puhtaina jos laitteessa on sellaiset. Huolellisesti hoidetut leikkaustyökalut, joiden terät ovat teräviä, eivät tartu helposti kiinni ja niitä on helpompi hallita.
- ◆ Älä käytä laitetta, jos jokin sen osista on viallinen.
- ◆ Viallinen osa tulee korjata tai vaihtaa valtuutetussa huoltooliikkeessä.
- ◆ Älä koskaan yritä irrottaa tai vaihtaa sellaisia osia, joista ei ole mainintaa tässä oppaassa.

## Sähköturvallisuus

- ◆ Laitteen pistokkeen tulee sopia pistorasiaan. Pistoketta ei saa muuttaa millään tavalla. Älä käytä minkäänlaisia sovitiinpistokkeita maadoitettujen laitteiden kanssa. Alkuperäisessä tilassa olevat pistokkeet ja sopivat pistorasiat vähentävät sähköiskun vaaraa.

- ◆ Älä altista laitetta sateelle tai kosteudelle. Veden tunkeutuminen laitteen sisään lisää sähköiskun riskiä.
- ◆ Älä käytä verkkojohtoa väärin. Älä käytä johtoa laitteen kantamiseen, vetämiseen tai pistokkeen irrottamiseen pistorasiasta. Pidä johto loitolla kuumuudesta, öljystä, terävistä reunoista ja liikkuvista osista. Vahingoittuneet tai sotkeutuneet johdot lisäävät sähköiskun vaaraa.
- ◆ Tarpeen vaatiessa. Käyttäessäsi laitetta ulkona, käytä ainoastaan ulkokäyttöön soveltuvaa jatkojohtoa. Ulkokäyttöön soveltuvan jatkojohdon käyttö vähentää sähköiskun vaaraa.
- ◆ Jos laitetta joudutaan käyttämään kosteassa ympäristössä, käytä aina jäännösvirtalaitteella (RCD) suojattua virtälähdettä. Jäännösvirtalaitteen käyttö vähentää sähköiskun vaaraa.

## Lisäturvallisuusehjeet nurmikonviimeistelijälle

Koneessa on seuraavat varoitusmerkit:



Lue käyttöohje huolellisesti ennen koneen käyttöönottoa.



Käytä suojalaseja konettaettäessäsi.



Työskentele vähintään 6 m:n etäisyydellä ihmisistä ja eläimistä.



Älä altista konetta sateelle tai kosteudelle.

- ◆ Tutustu koneen hallintalaitteisiin ja niiden toimintoihin.
- ◆ Käytä konetta vain päivänvalossa tai voimakkaassa keinovalaistuksessa.
- ◆ Tarkista ennen käyttöä, että sähköjohto ja jatkojohto ei ole vaurioitunut, vanhentunut tai kulunut. Jos virtajohto vahingoittuu käytön aikana, katke se välittömästi irti virtalähteestä. **ÄLÄ KOSKETA VIRTAJOHTOA ENNEN SEN IRROTTAMISTA VIRTALÄHTEESTÄ.**
- ◆ Älä käytä konetta, mikäli johdot ovat vialliset tai kuluneet.
- ◆ Suojele jalkojasi käyttämällä tukevia kenkiä tai saappaita.
- ◆ Käytä pitkiä housuja suojataksesi jalkoja.
- ◆ Tarkista ennen koneen käyttöä, ettei työskentelyalueella ole oksia, kiviä, metallilankaa tai muita esteitä.
- ◆ Käytä konetta vain pystysuorassa asennossa leikkuulanka lähellä maata. Älä koskaan käynnistä konetta missään muussa asennossa.
- ◆ Liiku hitaasti, kun käytät konetta. Muista, että juuri leikattu ruoho on kosteaa ja liukasta.
- ◆ Älä työskentele jyrkissä rinteissä. Työskentele rinteiden leveydeltä, älä ylös ja alas rinteitä.
- ◆ Älä koskaan kuljeta konetta sora- tai hiekkateiden yli langan pyöriessä.
- ◆ Älä koskaan kosketa leikkuulankaa koneen ollessa käynnissä.
- ◆ Älä laita konetta maahan, ennen kuin leikkuulanka on täysin pysähtynyt.
- ◆ Käytä ainoastaan oikean tyyppistä leikkuulankaa. Älä koskaan käytä metallista leikkuulankaa tai ongensiiamaa.
- ◆ Älä koske langan leikkuuterään.
- ◆ Pidä sähköjohto pois leikkuulangan tieltä. Varmista, että tiedät aina johdon sijainnin.
- ◆ Pidä kädet ja jalat poissa leikkuulangan tieltä etenkin, kun moottori käynnistetään.
- ◆ Varoit! Leikkaavien osien pyöriminen jatkuu senkin jälkeen, kun koneen virta on katkaistu.
- ◆ Älä koskaan käytä konetta, jos jokin suoja on vaurioitunut tai ei ole paikallaan.

## Akkuyökalun käyttö ja huolto (vain johdottomat laitteet)

- ◆ Lataa akku vain valmistajan määrittelemällä laturilla. Laturi, joka soveltuu määritetyntyyppiselle akulle, saattaa muodostaa tulipalovaaran erilaista akkua ladattaessa.
- ◆ Käytä laitteessa ainoastaan kyseiseen laitteeseen tarkoitettua akkua. Jonkun muun akun käyttö saattaa johtaa loukkaantumiseen ja tulipaloon.
- ◆ Pidä irrallista akkua loitolla metalliesineistä, kuten paperinliittimistä, kolikoista, avaimista, nautoista, ruuveista tai muista pienistä metalliesineistä, jotka voivat aiheuttaa oikosulun akun koskettimisiin. Akun kosketintien välinen oikosulu saattaa aiheuttaa palovammoja tai johtaa tulipaloon.
- ◆ Väärästä käytöstä johtuen saattaa akusta vuotaa nestettä, jota ei tule koskettaa. Jos nestettä vahingossa joutuu iholle, huuhtelee kosketuskohta vedellä. Jos nestettä pääsee silmiin, tarvitaan tämän lisäksi lääkärin apua. Akusta vuotava neste saattaa aiheuttaa ärsytystä ja palovammoja.

## Käytön jälkeen

- ◆ Kun laite ei ole käytössä, sitä tulee säilyttää kuivassa paikassa ja lasten ulottumattomissa.
- ◆ Varmista, että lapset eivät pääse käsiksi laitteisiin.
- ◆ Kun laitetta säilytetään tai kuljetetaan ajoneuvossa, se tulee asettaa tavaratilaan tai se tulee kiinnittää paikoilleen sen liikkumisen estämiseksi ajoneuvon nopeuden tai suunnan muuttuessa.

## Huolto

- ◆ Anna koulutettujen ammattitaitoisten henkilöiden korjata laitteitasi ja käytä korjauksissa vain alkuperäisiä varaosia. Täten varmistat, että laite säilyy turvallisena.

- ◆ Varmista, että ilmanvaihtoaukot ovat puhtaita.
- ◆ Tarkista laite kulumisen tai vaurioiden varalta ennen työn aloittamista ja iskujen jälkeen. Korjaa puutteet ennen työn jatkamista.
- ◆ Varo, ettei mikään filamenttilinjan pituutta viimeistelevä laite aiheuta henkilövahinkoja. Kun olet pidentänyt uutta leikkuulankaa, aseta laite aina takaisin normaaliin käyttöasentoon ennen käynnistämistä.
- ◆ Älä käytä nurmikon viimeistelyleikkuria (reunan leikkuria), jos johdot ovat vaurioituneet tai kuluneet.
- ◆ Pidä jatkojohdot pois leikkaavista osista.

## Muiden turvallisuus

- ◆ Henkilöt (lapset mukaan lukien), joilla on fyysisiä, tunnellisia tai henkisiä rajoituksia tai rajallinen kokemus ja tuntemus, eivät saa käyttää tätä laitetta ellei heidän turvallisuudesta vastaava henkilö valvo tai ohjaa heitä laitteen käytössä.
- ◆ Lapsia on valvottava, etteivät he leiki koneen kanssa.

## Lisäturvaohjeet akuille ja latureille

### Akut

- ◆ Älä koskaan yritä avata akkua.
- ◆ Älä altista akkua vedelle.
- ◆ Älä säilytä akkua paikassa, jonka lämpötila ylittää 40 °C.
- ◆ Lataa akku ainoastaan lämpötilan ollessa 10 °C ja 40 °C.
- ◆ Lataa akku käyttäen ainoastaan laitteen/työkalun mukana toimitettua laturia. Väärän laturin käyttö voi aiheuttaa sähköiskun tai akun ylikuumentumisen.
- ◆ Kun poistat akun käytöstä, noudata kappaleessa ”Ympäristö” annettuja ohjeita.
- ◆ Älä vaurioita tai muunna akkua pistoin tai iskuin, sillä tällöin on olemassa onnettomuus- ja tulipalovaara.
- ◆ Älä lataa vaurioituneita akkuja.
- ◆ Ääriolosuhteissa akut saattavat vuotaa. Jos akussa on nestettä, pyyhi se varoen pyyhkeellä. Vältä nesteen joutuminen iholle.
- ◆ Mikäli nestettä osuu iholle tai silmiin, noudata alla olevia ohjeita.

**Varoitus!** Akkuneste voi aiheuttaa henkilö- tai omaisuusvahinkoja. Jos akkunestettä pääsee iholle, huuho se välittömästi vedellä. Jos iho punoittaa tai jos iholla esiintyy kipua tai ärsytystä, käänny lääkärin puoleen. Mikäli nestettä pääsee silmiin, huuhtelee silmät välittömästi puhtaalla vedellä ja käänny lääkärin puoleen.

### Laturit

Laturi on suunniteltu tietylle jännitteelle. Tarkista aina ennen laitteen käyttöä, että verkkojännite vastaa arvokilvessä ilmoitettua jännitettä.

**Varoitus!** Älä koskaan yritä vaihtaa laturia normaaliin verkkovirtapistokkeeseen.

- ◆ Käytä Black & Decker -laturia ainoastaan työkalun mukana toimitetun akun lataamiseen. Muunlaiset akut saattavat räjähtää aiheuttaen henkilö- ja omaisuusvahinkoja.
- ◆ Älä koskaan yritä ladata ei-ladattavia akkuja.
- ◆ Jos sähköjohto on vaurioitunut, se saadaan vaihtaa vain valtuutetussa Black & Deckerin huoltoliikkeessä vaaratilanteiden välttämiseksi.
- ◆ Älä altista laturia vedelle.
- ◆ Älä avaa laturia.
- ◆ Älä vahingoita laturia.
- ◆ Laite/työkalu/akku tulee asettaa hyvin tuuletettuun tilaan latauksen ajaksi.

Akussa on seuraavat symbolit:



Tulipalovaara! Älä anna irrotetun akun kontaktien mennä oikosulkuun metallin kanssa (esim. säilytettäessä akkua työkalupakissa).



Älä polta akkuja.

Laturissa on seuraavat symbolit:



Laturi on tarkoitettu vain sisäkäyttöön.

### Laitteen merkit

Laitteessa on seuraavat varoitusmerkit:



Lue käyttöohje huolellisesti ennen laitteen käyttöönottoa.



Käytä suojalaseja laitetta käyttäessäsi.



Työskentele vähintään 6 m:n etäisyydellä ihmisistä ja eläimistä.



Älä altista laitetta sateelle tai kosteudelle.

### Sähköturvallisuus



Laturi on kaksoiseristetty; siksi erillistä maadoitusta ei tarvita. Tarkista aina ennen laitteen käyttöä, että verkkojännite vastaa arvokilvessä ilmoitettua jännitettä.

- ◆ Jos sähköjohto on vaurioitunut, se saadaan vaihtaa vain valtuutetussa Black & Deckerin huoltoliikkeessä vaaratilanteiden välttämiseksi.
- ◆ **Varoitus!** Älä koskaan yritä vaihtaa laturia normaaliin verkkovirtapistokkeeseen.

## Ominaisuudet

Tällä työkalulla on kaikki tai joitakin seuraavista ominaisuuksista.

1. Virrankatkaisija
2. Lukitusnappi
3. Kädensija
4. Lisäkädensija
5. Korkeuden säädin
6. Letku
7. Toimintatilan säädin
8. Pää
9. Reunaohjain
10. Suoja
11. Leikkuulanka
12. Kelakotelo
13. Langan leikkuuterä

## Kokoaminen

**Varoitus!** Varmista, ettei työkalu käynnisty vahingossa kokoamisen aikana.

## Suojan kiinnittäminen (kuva A)

- ◆ Aseta suoja (10) työkaluun kuvan osoittamalla tavalla.
- ◆ Paina suoja lujasti, kunnes se napsahtaa paikalleen.
- ◆ Kiinnitä suoja ruuvilla (14).

**Varoitus!** Älä koskaan käytä työkalua, jos suoja ei ole kiinnitetty oikein paikalleen.

## Leikkuulangan vapauttaminen

Leikkuulanka on teipattu kiinni kelakoteloon kuljetuksen ajaksi.

- ◆ Irrota leikkuulangan (11) kelakoteloon (12) kiinnittävä teippi.

## Käyttö

**Varoitus!** Anna koneen käydä omaan tahtiinsa.

Älä ylikuormita sitä.

## Akun lataaminen (kuva B)

Akku tulee ladata ennen ensimmäistä käyttökertaa ja aina silloin, kun se ei enää tuota riittävästi virtaa toimintoihin, jotka aikaisemmin hoituivat helposti. Ladatessasi akkua ensimmäistä kertaa tai pitkäaikaisen säilytyksen jälkeen, se latautuu vain 80 %:sesti. Usean lataamis- ja tyhjentyiskerran jälkeen akku saavuttaa täyden kapasiteettinsa. Akku voi lämmetä ladattaessa; tämä on normaalia eikä se ole merkki ongelmasta.

- ◆ Liitä laturin pistoke (15) laturin liittimeen (16), joka on työkalun taka-osassa.
- ◆ Liitä laturi verkkopistorasiaan.

- ◆ Kytke se päälle.

Akku voi olla liitettyä laturiin kuinka kauan tahansa.

- ◆ Irrota laturi työkalusta ja virtalähteestä ennen kuin käytät työkalua.

Akun mahdollisimman pitkän käyttöiän varmistamiseksi on suositeltavaa pitää akku latauksessa aina, kun työkalu ei ole käytössä. Kun akku on täydessä latauksessa, laturin virrankulutus on erittäin pieni.

## Työkalun asettaminen viimeistely- tai reunaleikkuuasentoon (kuva C - E)

Työkalua voidaan käyttää joko viimeistelyyn kuten kuvassa C tai reunaleikkuuseen ruohon leikkaamiseksi nurmikon ja kukkapenkien reunoilta kuten kuvassa D.

## Viimeistely (kuva C & E)

Viimeistelyä varten leikkuupään tulee olla kuvan C mukaisessa asennossa. Jos näin ei ole, toimi seuraavasti:

- ◆ Pidä lisäkädensijasta (4) kiinni toisella kädellä ja ota kiinni kääntöpyörästä (7) toisella kädellä.
- ◆ Paina kääntöpyörää leikkuupäätä kohti ja kierrä sitä vastapäivään, kunnes leikkuupää lukkiutuu viimeistelyasentoon.
- ◆ Päästä irti kääntöpyörästä.
- ◆ Aseta reunaohjain (9) taka-asentoon.

## Reunojen leikkaus (kuva D & E)

Reunaleikkuuta varten leikkuupään tulee olla kuvan D mukaisessa asennossa. Jos näin ei ole, toimi seuraavasti:

- ◆ Pidä lisäkädensijasta (4) kiinni toisella kädellä ja ota kiinni kääntöpyörästä (7) toisella kädellä.
- ◆ Paina kääntöpyörää leikkuupäätä kohti ja kierrä sitä myötäpäivään, kunnes leikkuupää lukkiutuu viimeistelyasentoon.
- ◆ Päästä irti kääntöpyörästä.
- ◆ Aseta ohjain (9) pidennettyyn asentoon.

## Työkalun korkeuden säätäminen (kuva F)

Teleskooppiputken (6) ansiosta voit säätää työkalun itsellesi sopivaan korkeuteen.

- ◆ Löysää istukka (5).
- ◆ Nosta korkeutta liu'uttamalla putkea ulos.
- ◆ Laske korkeutta liu'uttamalla putkea sisään.
- ◆ Kiristä istukka.

## Käynnistys ja pysäytys

Turvallisuussyistä työkalussa on kaksoisvirrankatkaisija.

Tällä tavoin estetään työkalun käynnistyminen vahingossa.

## Työkalun käynnistys

- ◆ Työnnä lukituspainiketta (2) taaksepäin peukalolla ja paina samanaikaisesti virrankatkaisijaa (1).
- ◆ Päästä irti lukitusnapista.

## Työkalan pysäytys

- ◆ Päästä irti virrankatkaisijasta (1).

**Varoitus!** Älä koskaan yritä lukita virrankatkaisijaa käynnistysasentoon.

## Vinkkejä parhaimman tuloksen saamiseksi

### Yleiset tiedot

- ◆ Paras leikkaustulos saadaan leikkaamalla kuivaa ruohoa.

### Viimeistely

- ◆ Pidä työkalua kuten kuvassa C.
- ◆ Käännä kevyesti leikkuria puolelta toiselle.
- ◆ Leikkaa pitkää ruohoa asteittain ylhäältä lähtien. Leikkaa vain vähän kerrallaan.
- ◆ Vältä kovia esineitä tai hentoja kasveja.
- ◆ Jos työkalu alkaa käydä hitaasti, vähennä kuormitusta.

### Reunaleikkuu

Parhaimman tuloksen saa reunoissa, jotka ovat yli 50 mm syviä.

- ◆ Älä tee reunoja työkalulla. Tee reunat käyttäen sopivaa lapiota.
- ◆ Ohjaa työkalua kuten kuvassa D.
- ◆ Jos haluat leikata lähempää, kallista työkalua hieman.

### Uuden lankakelan kiinnittäminen (kuva G)

Uusia lankakeloja myyvät Black & Decker -tuotteiden jälleenmyyjät (tuotenro: A6481).

- ◆ Pidä kelan suojuksen kielekkeitä (17) painettuna ja poista kelan suojuksen (18) kotelosta (12).
- ◆ Poista tyhjä kela (19) kelakotelosta.
- ◆ Poista kaikki lika ja ruoho kelan suojuksesta ja kotelosta.
- ◆ Vedä leikkuulankaa esiin uudelta kelalta noin 9 cm.
- ◆ Pujota leikkuulanka reiästä (20).
- ◆ Laita kela akseliin (21) ja kierrä kela hieman, kunnes se asettuu paikalleen. Varmista, ettei leikkuulanka jää kelan alle ja että sitä tulee ulos kotelosta 9 cm.
- ◆ Kohdistu kelan suojuksen kielekkeet kotelon reikiin.
- ◆ Paina suojuksen koteloon, kunnes se napsahtaa paikoilleen.

**Varoitus!** Jos leikkuulankaa ylettyy leikkuuterän (13) yli, leikkaa lanka lyhyemmäksi niin, että se on terän kohdalla.

### Uuden langan kiertäminen tyhjään kelaan (kuva H & I)

Uusia lankakeloja myyvät Black & Decker -tuotteiden jälleenmyyjät (tuotenro: A6170 (25 m) & A6171 (40 m)).

- ◆ Poista tyhjä kela työkalusta aiempien ohjeiden mukaisesti.
- ◆ Poista kaikki vanha leikkuulanka kelasta.
- ◆ Syötä 2 cm leikkuulankaa toiseen kelan reiästä (22) kuvan mukaisesti.
- ◆ Taita leikkuulanka ja kiinnitä se L-muotoiseen uraan (23).
- ◆ Kierrä leikkuulanka kelalle nuolen (24) suuntaan.
- ◆ Kierrä lankaa tasaisesti eri kerroksiin. Älä kierrä sitä ristiin.

- ◆ Kun leikkuulankaa on kierretty syvennykseen (25) asti, katkaise lanka. Anna lankaa tulla ulos kelalta noin 9 cm ja pidä lankaa paikallaan painamalla sitä sormella.
- ◆ Kiinnitä kela työkaluun aikaisempien ohjeiden mukaisesti.

**Varoitus!** Käytä vain Black & Deckerin suosittelemaa leikkuulankaa. Varmista, että kelan molemmissa osissa on leikkuulankaa.

### Säilytys

Jos työkalua ei aiota käyttää useampaan kuukauteen, akun tulee olla liitettyä laturiin. Noudata muussa tapauksessa seuraavia ohjeita:

- ◆ Lataa akku täyteen.
- ◆ Säilytä työkalua turvallisessa ja kuivassa paikassa. Säilytyspaikan lämpötilan täytyy aina olla välillä +5 °C - +40 °C.
- ◆ Lataa akku täyteen ennen kuin käytät työkalua pitkäaikaisen säilytyksen jälkeen.

### Vianmääritys

Jos työkalu ei näytä toimivan oikein, noudata seuraavia ohjeita. Jos tämä ei ratkaise ongelmaa, ota yhteyttä valtuutettuun Black & Deckerin huoltopisteeseen.

**Varoitus!** Varmista, ettei työkalu käynnisty vahingossa.

### Työkalu käy hitaasti

- ◆ Tarkista, että kelan kotelo pääsee pyörimään esteettä. Puhdista se varovasti tarvittaessa.
- ◆ Tarkista, että leikkuulankaa ei tule ulos kelan kotelosta yli 11 cm. Jos tulee, katkaise lanka niin, että se tulee lähemmäksi leikkuuterää.

### Automaattinen langansyöttö ei toimi

- ◆ Pidä kielekkeitä painettuna ja poista kelan suojuksen kotelosta.
- ◆ Vedä leikkuulankaa, kunnes sitä tulee ulos kotelosta 11 cm. Jos kelalla ei ole tarpeeksi leikkuulankaa, asenna uusi leikkuulankakela edellä mainittujen ohjeiden mukaan.
- ◆ Kohdistu kelan suojuksen kielekkeet kotelon reikiin.
- ◆ Paina suojuksen koteloon, kunnes se napsahtaa paikoilleen.
- ◆ Jos leikkuulankaa tulee ulos leikkuuterän yli, katkaise lanka niin, että se juuri saavuttaa terän.

Jos automaattinen langansyöttö ei vielääkään toimi tai kela on jumissa, kokeile seuraavia toimenpiteitä:

- ◆ Puhdista kelan suojuksen kotelon huolellisesti.
- ◆ Poista kela ja tarkista, että sen vipu pääsee liikkumaan esteettä.
- ◆ Poista kela, pura leikkuulanka kelalta ja kierrä se sitten tasaisesti takaisin edellä mainittujen ohjeiden mukaisesti. Aseta kela takaisin paikoilleen edellä mainittujen ohjeiden mukaisesti.

## Huolto

Black & Deckerin langallinen/langaton laite/työkalu on suunniteltu toimimaan mahdollisimman pitkän aikaa mahdollisimman vähällä huollolla. Asianmukainen käyttö ja säännönmukainen puhdistus takaavat laitteen jatkuvan tyydyttävän toiminnan.

**Varoitus!** Ennen langallisen/langattoman sähkötyökalun huoltoa:

- ◆ Kytke laite/työkalu pois päältä ja irrota pistoke pistorasiasta.
- ◆ Tai kytke laite pois päältä ja irrota akku laitteesta/työkalusta, jos laitteessa/työkalussa on erillinen akku.
- ◆ Tai kuluta akku kokonaan loppuun, jos akku on integroitu laitteeseen ja kytke laite sen jälkeen pois päältä.
- ◆ Irrota laturi virtalähteestä ennen puhdistamista. Laturi ei tarvitse säännöllisen puhdistamisen lisäksi mitään muuta huoltoa.
- ◆ Puhdista työkalun/laitteen/laturin tuuletusaukot säännöllisesti pehmeällä harjalla tai kuivalla siivousliinalla.
- ◆ Puhdista työkalun kuori säännöllisesti kostealla siivousliinalla. Älä koskaan käytä puhdistamiseen liuotainaineita tai syövyttäviä puhdistusaineita.
- ◆ Avaa istukka säännöllisin väliajoin ja kopauta sitä pölyjen poistamiseksi sisältä (jos asennettu).

## Ympäristön suojelu



Erillinen keräys. Tätä tuotetta ei saa hävittää normaalin kotitalousjätteen kanssa.

Kun Black & Decker -koneesi on käytetty loppuun, älä hävitä sitä kotitalousjätteen mukana. Tämä tuote on kerättävä erikseen.



Käytettyjen tuotteiden ja pakkausten erillinen keräys mahdollistaa materiaalien kierrätyksen ja uudelleenkäytön. Kierrätettyjen materiaalien uudelleenkäyttö auttaa ehkäisemään ympäristön saastumisen ja vähentää raaka-aineiden kysyntää.

Paikallisten säännösten mukaisesti on mahdollista viedä kotitalouksien sähkölaitteet kuntien kaatopaikoille tai jättää ne vähittäismyyjälle ostettaessa uusi tuote.

Black & Decker tarjoaa mahdollisuuden Black & Decker -tuotteiden keräykseen ja kierrätykseen sen jälkeen, kun ne on poistettu käytöstä. Jotta voisit hyötyä tästä palvelusta, palauta laitteesi johonkin valtuutettuun huoltoliikkeeseen, joka kerää laitteet meidän puolestamme.

Voit tarkistaa lähimmän valtuutetun huoltoliikkeen sijainnin ottamalla yhteyden Black & Deckerin toimistoon, joka sijaitsee tässä käsikirjassa annettussa osoitteessa. Lista valtuutetuista Black & Decker -huoltoliikkeistä sekä yksityiskohtaiset tiedot korjauspalvelustamme ovat vaihtoehtoisesti saatavilla Internetissä, osoitteessa [www.2helpU.com](http://www.2helpU.com)

## Akut



Wie loppuun käytetyt akut niille tarkoitettuun keräyspaikkaan tai -astiaan.

- ◆ Älä päästä pariston napoja oikosulkuun.
- ◆ Älä heitä akkua (akkuja) tuleen, sillä se voi aiheuttaa henkilövahinkoja tai räjähtää.
- ◆ Käytä akku täysin loppuun ja poista se sitten työkalusta.
- ◆ Akut ovat kierrätettäviä. Aseta akku (akut) sopivaan pakkaukseen niin, ettei navoissa tapahdu oikosulkuja. Voit viedä ne mihin tahansa valtuutettuun huoltoliikkeeseen tai paikalliseen kierrätyskeskukseen.

## Tekniset tiedot

	GLC13 H2
Jännite	V <sub>DC</sub> 12
Kuormittamaton nopeus	min <sup>-1</sup> 7.500
Paino	kg 3,2
Käden painotettu tärinäarvo EN 786:n mukaisesti: < 2,5	

**EU-vaatimustenmukaisuusvakuutus**KONEDIREKTIIVI  
ULKOILMAMELUDIREKTIIVI

GLC13

Black & Decker julistaa, että kohdassa "tekniset tiedot" kuvatut tuotteet noudattavat seuraavia:

98/37/EY (28 Jouluk., 2009 asti), 2006/42/EY (29 Jouluk., 2009 alkaen), 2004/108/EY, EN 60335-1, EN 60335-2-91

2000/14/EY, Ruohonleikkuri, L ≤ 50 cm, Liite VIII

KEMA Quality B.V., Utrechtseweg 310, 6802 ED Arnhem,  
Alankomaat  
Notified Body ID No.: 0344

Akustisen tehon taso 2000/14/EY (Artikkeli 12, Liite VIII,  
L ≤ 50 cm):

L<sub>WA</sub> (mitattu ääniteho) 92 dB(A)

L<sub>WA</sub> (taattu ääniteho) 94 dB(A)

Lisätietoja saa Black & Decker -yhtiöltä seuraavasta osoitteesta tai käyttöoppaan takana olevia yhteistietoja käyttäen.

Allekirjoittava henkilö on vastuussa teknisen tiedoston täyttämisestä ja tekee tämän ilmoituksen Black & Decker -yhtiön puolesta.

Kevin Hewitt  
Vice-President Global Engineering  
Black & Decker Europe, 210 Bath Road, Slough,  
Berkshire, SL1 3YD  
Iso-Britannia  
10-12-2009

**Takuu**

Black & Decker Oy takaa, ettei koneessa ollut materiaali- ja/tai valmistusvikaa silloin, kun se toimitettiin ostajalle. Takuu on lisäys kuluttajan laillisiin oikeuksiin eikä vaikuta niihin. Takuu on voimassa Euroopan Unionin jäsenmaissa ja Euroopan vapaakauppa-alueella (EFTA).

Mikäli Black & Decker -kone hajoaa materiaali- ja/tai valmistusvirheen tai teknisten tietojen epätarkkuuden vuoksi 24 kk:n kuluessa ostopäivästä, Black & Decker korjaa koneen ilman kustannuksia ostajalle tai vaihtaa sen uuteen Black & Decker Oy:n valinnan mukaan.

Takuu ei kata vikoja, jotka johtuvat koneen

- ◆ normaalista kulumisesta
- ◆ ylikuormituksesta, virheellisestä käytöstä tai hoidosta
- ◆ vahingoittamisesta vieraalla esineellä tai aineella tai onnettomuustapauksessa

Takuu ei ole voimassa, mikäli konetta on korjannut joku muu kuin Black & Deckerin valtuuttama huoltoliike.

Edellytyksenä takuun saamiselle on, että ostaja jättää koneen ja ostokuitin jälleenmyyjälle tai valtuutetulle huoltoliikkeelle viimeistään 2 kuukauden kuluessa vian ilmenemisestä. Tiedot valtuutetuista huoltoliikkeistä saa ottamalla yhteyttä Black & Decker Oy:hyn sekä internetistä osoitteesta [www.2helpU.com](http://www.2helpU.com), jossa on myös takuehdot.

Voit vierailla verkkosivullamme [www.blackanddecker.fi](http://www.blackanddecker.fi) rekisteröidäksesi uuden Black & Decker -tuotteesi ja saadaksesi tietoa uusista tuotteista ja erikoistarjouksista. Saat lisätietoja Black & Deckerin tavaramerkistä ja tuotevalikoimastamme osoitteesta [www.blackanddecker.fi](http://www.blackanddecker.fi)

**Korjaukset/Varaosat**

Mikäli koneeseen tulee vikaa, jätä se aina Black & Deckerin valtuuttamaan huoltoliikkeeseen korjattavaksi. Varaosia myyvät valtuutetut Black & Deckerin huoltoliikkeet, ja heiltä voi myös pyytää kustannusarvion koneen korjauksesta.

Tiedot valtuutetuista huoltoliikkeistä löytyvät internetistä osoitteesta [www.2helpU.com](http://www.2helpU.com) sekä kotisivuiltamme [www.blackanddecker.fi](http://www.blackanddecker.fi)

## Ενδεδειγμένη χρήση

Η μηχανή φινιρίσματος χόρτου της Black & Decker έχει σχεδιαστεί για το φινιρίσμα χόρτου και άκρων (μπαρνούρα), καθώς και για την κοπή χόρτου σε περιορισμένους χώρους. Αυτή η συσκευή προορίζεται μόνο για ερασιτεχνική χρήση.

Ο φορτιστής σας Black & Decker έχει σχεδιαστεί για τη φόρτιση της μπαταρίας του εργαλείου, το οποίο συνοδεύει.

## Οδηγίες ασφαλείας

### Γενικές προειδοποιήσεις ασφαλείας για τη συσκευή



**Προειδοποίηση!** Όταν χρησιμοποιείτε ηλεκτρικές/ ασύρματες συσκευές, θα πρέπει να τηρείτε πάντα τις βασικές οδηγίες ασφαλείας, συμπεριλαμβανομένων και των παρακάτω, για να περιορίσετε τον κίνδυνο πυρκαγιάς, ηλεκτροπληξίας, σωματικών βλαβών και υλικών ζημιών.

- ◆ Πριν χρησιμοποιήσετε τη συσκευή, διαβάστε προσεκτικά ολόκληρο το εγχειρίδιο.
- ◆ Η ενδεδειγμένη χρήση περιγράφεται σε αυτό το εγχειρίδιο. Η χρήση οποιοδήποτε αξεσουάρ ή προσθήκης, ή η απόδοση οποιασδήποτε λειτουργίας με αυτή τη συσκευή, εκτός αυτών που προτείνονται σε αυτό το εγχειρίδιο οδηγιών, εγκυμονεί κίνδυνο τραυματισμού.

**Αποθηκεύστε όλες τις προειδοποιήσεις και οδηγίες για μελλοντική αναφορά.** Ο όρος "συσκευή" στις προειδοποιήσεις αναφέρεται στην ηλεκτρική (ενσύρματη) συσκευή σας ή στην συσκευή σας με μπαταρία (ασύρματη).

### Χρήση της συσκευής σας

Προσέχετε πάντα όταν χρησιμοποιείτε τη συσκευή.

- ◆ Διατηρείτε το χώρο που εργάζεστε καθαρό και καλά φωτισμένο. Η αταξία στο χώρο που εργάζεστε και τα σημεία χωρίς καλό φωτισμό μπορεί να οδηγήσουν σε ατυχήματα.
- ◆ Χρησιμοποιείτε το μηχανήμα μόνο στο φως της ημέρας ή σε επαρκές τεχνητό φως.
- ◆ Μη χρησιμοποιείτε τη συσκευή σας σε περιβάλλον όπου υπάρχει κίνδυνος έκρηξης, π.χ. παρουσία εύφλεκτων υγρών, αερίων ή σκόνης.
- ◆ Ποτέ μην επιτρέπετε σε μικρά παιδιά ή σε άτομα που δεν έχουν διαβάσει το εγχειρίδιο οδηγιών να χρησιμοποιήσουν τη συσκευή.
- ◆ Μην επιτρέπετε σε παιδιά ή ζώα να πλησιάζουν στο χώρο εργασίας ή να αγγίζουν τη συσκευή ή το καλώδιο τροφοδοσίας της.

- ◆ Κρατήστε τα παιδιά, τους περαστικούς και τα ζώα μακριά κατά τη χρήση της συσκευής. Σε περίπτωση που άλλα άτομα αποσπάσουν την προσοχή σας μπορεί να χάσετε τον έλεγχο του μηχανήματος.
- ◆ Η συσκευή δεν πρέπει να χρησιμοποιηθεί ως παιχνίδι.
- ◆ Μη βυθίζετε τη συσκευή σε νερό.
- ◆ Μην ανοίγετε το περίβλημα. Δεν υπάρχουν μέρη που μπορούν να επισκευαστούν από τον χρήστη στο εσωτερικό.

### Προσωπική ασφάλεια

- ◆ Όταν χρησιμοποιείτε τη συσκευή, να είστε προσεκτικοί, να δίνετε προσοχή στην εργασία που κάνετε και να επιστρατεύετε την κοινή λογική. Μη χρησιμοποιείτε τη συσκευή όταν είστε κουρασμένοι ή όταν βρίσκεστε υπό την επήρεια ναρκωτικών, οινοπνεύματος ή φαρμάκων. Μια στιγμή απροσεξία κατά το χειρισμό της συσκευής μπορεί να οδηγήσει σε σοβαρούς τραυματισμούς.
  - ◆ Όταν χρειάζεται, φορέστε προστατευτικό εξοπλισμό. Ο προστατευτικός εξοπλισμός όπως προστατευτικά γυαλιά, μάσκα σκόνης, υποδήματα ασφαλείας κατά το γλίστρημα, σκληρό καπέλο, ή προστασία ακοής για τις κατάλληλες συνθήκες θα μειώσουν τους σωματικούς τραυματισμούς.
  - ◆ Να αποφυγείτε την εκκίνηση κατά λάθος. Επιβεβαιωθείτε ότι ο διακόπτης είναι στην θέση off πριν συνδέσετε την παροχή ρεύματος και/ή τη μπαταρία, πριν πιάστε ή μεταφέρετε τη συσκευή. Η μεταφορά συσκευών με το δάχτυλο στον διακόπτη ή η ενεργοποίηση συσκευών με τον διακόπτη στη θέση on μπορεί να οδηγήσει σε ατυχήματα.
  - ◆ Μην τεντώνεστε. Φροντίστε πάντοτε να έχετε την κατάλληλη στάση και να διατηρείτε την ισορροπία σας. Αυτό σας επιτρέπει τον καλύτερο έλεγχο της συσκευής σε περιπτώσεις απροσδόκτων καταστάσεων.
  - ◆ Φοράτε κατάλληλη ενδυμασία εργασίας. Μη φοράτε φαρδιά ρούχα ή κοσμήματα. Κρατάτε τα μαλλιά, τα ενδύματα και τα γάντια σας μακριά από τα κινούμενα εξαρτήματα. Τα φαρδιά ρούχα, τα κοσμήματα και τα μακριά μαλλιά μπορεί να εμπλακούν στα κινούμενα εξαρτήματα.
- ### Χρήση και συντήρηση της συσκευής
- ◆ Πριν τη χρήση, ελέγξτε τη συσκευή για τυχόν φθαρμένα ή ελαττωματικά εξαρτήματα. Ελέγξτε για εξαρτήματα που πιθανόν να έχουν σπάσει, για διακόπτες που πιθανόν να έχουν πάθει ζημιά και γενικά κάθε είδους συνθήκες που θα μπορούσαν ενδεχομένως να επηρεάσουν τη λειτουργία της συσκευής.
  - ◆ Μη χρησιμοποιείτε τη συσκευή αν δεν μπορεί να θεθεί εντός ή εκτός λειτουργίας με το διακόπτη. Μια συσκευή της οποίας η λειτουργία δεν μπορεί να ελεγχθεί με το διακόπτη είναι επικίνδυνη και πρέπει να επισκευαστεί.



- ◆ Αποσυνδέστε το βύσμα από τη πηγή ρεύματος και/ή το συγκρότημα μπαταρίας πριν κάνετε κάποια ρύθμιση, αλλάζετε τα αξεσουάρ, ή αποθηκεύετε τις συσκευές. Αυτά τα προληπτικά μέτρα ασφαλείας μειώνουν τον κίνδυνο να τεθεί η συσκευή αθέλητα σε λειτουργία.
- ◆ Διατηρείτε τα κοπτικά εργαλεία κοφτερά και καθαρά, όπου εφαρμόζεται. Τα κοπτικά εργαλεία με αιχμηρά κοπτικά άκρα που συντηρούνται σωστά έχουν λιγότερες πιθανότητες να μπλοκάρουν και ελέγχονται ευκολότερα.
- ◆ Μη χρησιμοποιείτε τη συσκευή εάν κάποιο εξάρτημά της έχει πάθει ζημιά ή παρουσιάζει ελάττωμα.
- ◆ Ζητήστε από εξουσιοδοτημένο συνεργείο σέρβις την επισκευή ή την αντικατάσταση όλων των φθαρμένων ή ελαττωματικών εξαρτημάτων.
- ◆ Μην επιχειρήσετε ποτέ να αφαιρέσετε ή να αντικαταστήσετε εξαρτήματα εκτός αυτών που προσδιορίζονται σε αυτό το εγχειρίδιο.

## Ελεγχος και επισκευές

- ◆ Τα φις της συσκευής πρέπει να ταιριάζουν στην αντίστοιχη πρίζα. Δεν επιτρέπεται με κανένα τρόπο η μετασκευή του φις. Μη χρησιμοποιείτε προσαρμοστικά φις στις γειωμένες συσκευές. Τα φις που δεν έχουν υποστεί τροποποιήσεις και οι κατάλληλες πρίζες μειώνουν τον κίνδυνο ηλεκτροπληξίας.
- ◆ Μην εκθέτετε τη συσκευή στη βροχή ή την υγρασία. Η διείσδυση νερού στη συσκευή αυξάνει τον κίνδυνο ηλεκτροπληξίας.
- ◆ Μην κακομεταχειρίζεστε το καλώδιο. Μη χρησιμοποιείτε ποτέ το καλώδιο για να μεταφέρετε, να τραβήξετε ή να αποσυνδέσετε τη συσκευή από την πρίζα. Κρατάτε το καλώδιο μακριά από υψηλές θερμοκρασίες, λάδια, κοφτερές ακμές ή κινούμενα εξαρτήματα. Τυχόν χαλασμένα ή μπερδεμένα καλώδια αυξάνουν τον κίνδυνο ηλεκτροπληξίας.
- ◆ Όταν εφαρμόζει. Όταν χρησιμοποιείτε τη συσκευή σε εξωτερικούς χώρους, να χρησιμοποιείτε πάντοτε προεκτάσεις (μπαλαντζές) που έχουν εγκριθεί για χρήση σε εξωτερικούς χώρους. Η χρήση προεκτάσεων εγκεκριμένων για εργασία σε εξωτερικούς χώρους μειώνει τον κίνδυνο ηλεκτροπληξίας.
- ◆ Αν η χρήση συσκευής σε μια βρεγμένη περιοχή δεν είναι απόφευκτη, χρησιμοποιήστε μια συσκευή κατάλοιπου ρεύματος (RCD) προστατευόμενης παροχής. Η χρήση μιας RCD μειώνει τον κίνδυνο ηλεκτροπληξίας.

## Χρήση και συντήρηση μπαταρίας (μόνο για τις ασύρματες συσκευές)

- ◆ Να επαναφορτίζετε τις μπαταρίες μόνο με το φορτιστή που προβλέπει ο κατασκευαστής. Ένας φορτιστής που είναι κατάλληλος για έναν τύπο μπαταρίας μπορεί να προκαλέσει πυρκαγιά όταν χρησιμοποιηθεί για τη φόρτιση κάποιου άλλου τύπου μπαταρίας.

- ◆ Να χρησιμοποιείτε συσκευές μόνο με τις προβλεπόμενες γι' αυτές μπαταρίες. Η χρήση μπαταριών διαφορετικού τύπου μπορεί να οδηγήσει σε τραυματισμούς ή πυρκαγιά.
- ◆ Να φυλάτε τις μπαταρίες που δεν χρησιμοποιείτε μακριά από μεταλλικά αντικείμενα, όπως συνδετήρες χαρτιών, νομίσματα, κλειδιά, καρφιά, βίδες κι άλλα παρόμοια μικροαντικείμενα, τα οποία θα μπορούσαν να γεφυρώσουν τους δυο πόλους. Τυχόν βραχυκύκλωση των πόλων της μπαταρίας μπορεί να προκαλέσει εγκαύματα ή πυρκαγιά.
- ◆ Υπό δυσμενείς συνθήκες λειτουργίας μπορεί να διαρρέουσιν υγρά από τη μπαταρία. Αποφεύγετε κάθε επαφή με μια μη στεγανή μπαταρία. Σε περίπτωση κατά λάθος επαφής με τα υγρά, ξεπλύνετε αμέσως με νερό. Εκτός από αυτό, αν τα υγρά διεισδύσουν στα μάτια σας, επισκεφτείτε χωρίς καθυστέρηση ένα γιατρό. Τα διαρρέοντα υγρά των μπαταριών μπορεί να προκαλέσουν ερεθισμούς ή και εγκαύματα.

## Μετά τη χρήση

- ◆ Όταν δεν χρησιμοποιείται, η συσκευή πρέπει να αποθηκευτεί σε ξηρό και καλά αεριζόμενο χώρο, μακριά από τα παιδιά.
- ◆ Τα παιδιά δεν πρέπει να έχουν πρόσβαση στις αποθηκευμένες συσκευές.
- ◆ Όταν η συσκευή έχει αποθηκευτεί ή μεταφέρεται με ένα όχημα, πρέπει να τοποθετηθεί στο πορτ μπαγκάζ ή να δεθεί για να αποτραπεί η κίνηση που μπορεί να προκληθεί από ξαφνικές αλλαγές στη ταχύτητα ή κατεύθυνση.

## Σέρβις

- ◆ Το σέρβις της συσκευής σας πρέπει να αναλαμβάνει έμπειρος τεχνικός που θα χρησιμοποιεί μόνο γνήσια ανταλλακτικά. Έτσι εξασφαλίζεται η διατήρηση της ασφάλειας της συσκευής.

## Πρόσθετες οδηγίες ασφαλείας για μηχανές φινιρίσματος χόρτου

Πάνω στο εργαλείο υπάρχουν τα ακόλουθα προειδοποιητικά σύμβολα:



Διαβάστε το εγχειρίδιο πριν θέσετε το μηχάνημα σε λειτουργία.



Όταν χρησιμοποιείτε αυτό το εργαλείο, να φοράτε προστατευτικά γυαλιά.



Φροντίστε τα άλλα άτομα καθώς και ζώα να βρίσκονται σε απόσταση τουλάχιστον 6 μέτρων από την περιοχή κοπής.



Μην αφήνετε το εργαλείο εκτεθειμένο σε βροχή ή σε έντονη υγρασία.

- ◆ Εξοικειωθείτε με τα χειριστήρια και τη σωστή χρήση του εργαλείου.
- ◆ Χρησιμοποιείτε το εργαλείο μόνο στο φως της ημέρας ή σε καλό τεχνητό φως.
- ◆ Πριν από τη χρήση, ελέγξτε προσεκτικά το καλώδιο τροφοδοσίας και την προέκταση καλωδίου για σημάδια ζημιάς, παλαιώσις και φθοράς. Αν κάποιο καλώδιο φθαρεί κατά τη χρήση, αποσυνδέστε αμέσως το καλώδιο ηλεκτρικού ρεύματος από την πρίζα. ΜΗΝ ΑΓΓΙΞΕΤΕ ΤΟ ΚΑΛΩΔΙΟ ΠΡΙΝ ΑΠΟΣΥΝΔΕΣΕΤΕ ΤΗ ΣΥΣΚΕΥΗ ΑΠΟ ΤΗΝ ΠΡΙΖΑ.
- ◆ Μη χρησιμοποιείτε το εργαλείο αν τα καλώδια εμφανίζουν ζημιές ή φθορά.
- ◆ Να φοράτε χοντρά υποδήματα ή μπότες για να προστατέψετε τα πόδια σας.
- ◆ Να φοράτε μακριά παντελόνια για να προστατέψετε τα πόδια σας.
- ◆ Πριν χρησιμοποιήσετε το εργαλείο, βεβαιωθείτε ότι στη διαδρομή κοπής σας δεν υπάρχουν κλαδιά, πέτρες, σύρματα ή οποιοδήποτε άλλο εμπόδιο.
- ◆ Χρησιμοποιείτε το εργαλείο μόνο στην κατακόρυφη θέση, με το νήμα κοπής κοντά στο έδαφος. Ποτέ μην ανάβετε το εργαλείο αν βρίσκεται σε οποιαδήποτε άλλη θέση.
- ◆ Να κινείστε αργά όταν χρησιμοποιείτε το εργαλείο. Να έχετε υπόψη σας ότι το φρεσκοκομμένο χόρτο είναι υγρό και γλιστερό.
- ◆ Μην εργάζεστε σε έδαφος με απότομες κλίσεις. Να κινείστε κατά το πλάτος της επικλινούς επιφάνειας και όχι πάνω και κάτω κατά τη διεύθυνση της κλίσης.
- ◆ Ποτέ μη διασχίζετε μονοπάτια με χαλίκια ή δρόμους όταν το εργαλείο είναι σε λειτουργία.
- ◆ Ποτέ μην αγγίζετε το νήμα κοπής όταν το εργαλείο είναι σε λειτουργία.
- ◆ Μην αφήνετε το εργαλείο στο έδαφος παρά μόνο εφόσον το νήμα κοπής έχει ακινητοποιηθεί εντελώς.
- ◆ Να χρησιμοποιείτε μόνο τον κατάλληλο τύπο νήματος κοπής. Ποτέ μη χρησιμοποιείτε μεταλλικό νήμα κοπής ή πετονιά.
- ◆ Προσέξτε να μην αγγίξετε τη λεπίδα αποκοπής νήματος.
- ◆ Φροντίστε να διατηρείτε το καλώδιο τροφοδοσίας μακριά από το νήμα κοπής. Προσέχετε πάντα τη θέση του καλωδίου.
- ◆ Σε καμία περίπτωση μην πλησιάζετε τα χέρια και τα πόδια σας στο νήμα κοπής, ειδικά όταν θέτετε σε λειτουργία τη μηχανή.
- ◆ Προειδοποίηση! Τα στοιχεία κοπής συνεχίζουν την περιστροφή όταν το εργαλείο τίθεται έκτος λειτουργίας.
- ◆ Μην χειρίζεστε ποτέ το εργαλείο με φθαρμένους προφυλακτήρες ή χωρίς προφυλακτήρες.
- ◆ Θα πρέπει να προσέχετε τα ανοίγματα εξαερισμού να μην παρεμποδίζονται από σκουπίδια και άλλα αντικείμενα.

- ◆ Πριν χρησιμοποιήσετε τη συσκευή και μετά από οποιαδήποτε πρόσκρουση, να ελέγξετε για ενδεχόμενα σημάδια φθοράς ή ζημιάς και προβείτε στις απαραίτητες επιδιορθώσεις.
- ◆ Προσέξτε από σωματικές βλάβες από κάθε εξάρτημα που έχει τοποθετηθεί για φινιρίσμα μήκος νήματος κοπής. Αφού κάνετε προώθηση του νήματος κοπής, επιστρέψτε πάντα το μηχανήμα στην κανονική του θέση λειτουργίας πριν το ανάψετε.
- ◆ Μην χρησιμοποιείτε τη συσκευή φινιρίσματος χόρτου (φινιρίσμα ακρών), εάν τα καλώδια έχουν υποστεί ζημιά ή φθαρεί.
- ◆ Κρατήστε τις προεκτάσεις καλωδίων μακριά από τα στοιχεία κοπής.

### Ασφάλεια άλλων

- ◆ Αυτή η συσκευή δεν προσδιορίζεται για χρήση από άτομα (συμπεριλαμβανόντας και τα παιδιά) με ελαττωμένες φυσικές, αισθητήριες και ψυχικές δυνατότητες, ή έλλειψη εμπειρίας και γνώσης, εκτός αν υπάρχει επιτήρηση ή οδηγίες για τη χρήση της συσκευής από έναν υπεύθυνο άτομο για την ασφάλειά τους.
- ◆ Τα παιδιά πρέπει να επιτηρηθούν για να βεβαιωθείτε ότι δεν παίζουν με τη συσκευή.

### Επιπρόσθετες οδηγίες ασφαλείας για μπαταρίες και φορτιστές

#### Μπαταρίες

- ◆ Μην επιχειρήσετε ποτέ να την ανοίξετε, για κανένα λόγο.
- ◆ Μην εκθέτετε την μπαταρία σε νερό.
- ◆ Μην την αποθηκεύετε σε χώρους όπου η θερμοκρασία μπορεί να υπερβεί τους 40 °C.
- ◆ Να τη φορτίζετε μόνο σε θερμοκρασία περιβάλλοντος μεταξύ 10 °C και 40 °C.
- ◆ Η φόρτιση πρέπει να γίνεται μόνο με το φορτιστή που παρέχεται με η συσκευή / το εργαλείο. Η χρήση λαμβασμένου φορτιστή μπορεί να προκαλέσει ηλεκτροπληξία ή υπερθέρμανση της μπαταρίας.
- ◆ Σε ό,τι αφορά την απόρριψη των μπαταριών, ακολουθήστε τις οδηγίες που παρατίθενται στην ενότητα "Διάθεση εργαλείων και περιβάλλον".
- ◆ Μην προκαλείτε ζημιές ή παραμορφώσεις στη μπαταρία, τρυπώντας ή χτυπώντας τη, καθώς οι ενέργειες αυτές εκφυμονούν κίνδυνο τραυματισμού ή πυρκαγιάς.
- ◆ Μη φορτίζετε φθαρμένες μπαταρίες.
- ◆ Σε περίπτωση έκθεσης σε ακραίες συνθήκες, η μπαταρία ενδέχεται να παρουσιάσει διαρροή. Όταν προσέχετε υγρά στις μπαταρίες, σκουπίστε με προσοχή το υγρό χρησιμοποιώντας ένα πανί. Αποφύγετε την επαφή με το δέρμα.
- ◆ Σε περίπτωση επαφής με το δέρμα ή τα μάτια, ακολουθήστε τις παρακάτω οδηγίες.

**Προειδοποίηση!** Το υγρό μπαταριών μπορεί να προκαλέσει σωματικές βλάβες ή καταστροφή περιουσίας. Σε περίπτωση δερματικής επαφής, ξεπλύνετε αμέσως με νερό. Εάν υπάρχει ερυθρότητα, πόνος ή ερεθισμός αναζητήστε ιατρική βοήθεια. Σε περίπτωση επαφής με τα μάτια, ξεπλύνετε αμέσως με καθαρό νερό και αναζητήστε ιατρική βοήθεια.



Όταν χρησιμοποιείτε αυτή τη συσκευή, να φοράτε προστατευτικά γυαλιά.



Φροντίστε τα άλλα άτομα καθώς και ζώα να βρίσκονται σε απόσταση τουλάχιστον 6 μέτρων από την περιοχή κοπής.



Μην αφήνετε το μηχάνημα εκτεθειμένο στη βροχή ή σε έντονη υγρασία.

### Φορτιστές

Ο φορτιστής σας έχει σχεδιαστεί για συγκεκριμένες τάσεις. Ελέγχετε πάντα αν η τάση τροφοδοσίας αντιστοιχεί σε αυτήν που αναγράφεται στην πινακίδα χαρακτηριστικών.

### Ασφαλής χρήση του ηλεκτρικού ρεύματος



Ο φορτιστής σας φέρει διπλή μόνωση, επομένως δεν απαιτείται σύρμα γείωσης. Ελέγχετε πάντα αν η τάση τροφοδοσίας αντιστοιχεί σε αυτήν που αναγράφεται στην πινακίδα χαρακτηριστικών.

**Προειδοποίηση!** Ποτέ μην επιχειρήσετε να υποκαταστήσετε το φορτιστή με κοινή πρίζα ρεύματος.

- ◆ Χρησιμοποιήστε μόνο το φορτιστή της Black & Decker για τη φόρτιση μπαταριών του τύπου που συνοδεύει το εργαλείο σας. Σε άλλες μπαταρίες ενδέχεται να σημειωθεί διάρρηξη, προκαλώντας τραυματισμό και ζημιά.
- ◆ Μην επιχειρήσετε ποτέ να επαναφορτίσετε μη επαναφορτιζόμενες μπαταρίες.
- ◆ Αν το καλώδιο ρεύματος έχει υποστεί βλάβη, πρέπει να αντικατασταθεί από τον κατασκευαστή ή από εξουσιοδοτημένο Κέντρο Επισκευών Black & Decker ώστε να αποφεύγετε τους κινδύνους.
- ◆ Μην εκθέτετε το φορτιστή σε νερό.
- ◆ Μην ανοίγετε το φορτιστή.
- ◆ Μην επιχειρήσετε να διερευνήσετε το εσωτερικό του φορτιστή.
- ◆ Η συσκευή/εργαλείο/μπαταρία πρέπει να τοποθετηθεί σε μια καλά αερισμένη περιοχή όταν φορτώνει.

Στην μπαταρία υπάρχουν τα ακόλουθα σύμβολα:



Κίνδυνος πυρκαγιάς! Αποφεύγετε βραχυκύκλωμα με μέταλλο των επαφών των μπαταρίας (π.χ. κλειδιά που είναι στην ίδια τσέπη με την μπαταρία).



Μην καίτε την μπαταρία.

Στον φορτιστή σας υπάρχουν τα ακόλουθα σύμβολα:



Ο φορτιστής προορίζεται μόνο για χρήση σε εσωτερικούς χώρους.

### Επιγραφές στη συσκευή

Πάνω στο μηχάνημα υπάρχουν τα ακόλουθα προειδοποιητικά σύμβολα:



Διαβάστε το εγχειρίδιο πριν θέσετε το μηχάνημα σε λειτουργία.

### Χαρακτηριστικά

Το εργαλείο διαθέτει όλα ή ορισμένα από τα εξής χαρακτηριστικά.

1. Διακόπτης on/off
2. Μπουτόν απασφάλισης
3. Λαβή
4. Βοηθητική λαβή
5. Δακτύλιος ρύθμισης ύψους
6. Σωλήνας
7. Κολάρο ρύθμισης λειτουργίας
8. Κεφαλή
9. Οδηγός μπροντούρας
10. Προφυλακτήρας
11. Νήμα κοπής
12. Περιβλήμα πομπίνας
13. Λεπίδα αποκοπής νήματος

### Συναρμολόγηση

**Προειδοποίηση!** Προσέξτε να μη θέσετε κατά λάθος σε λειτουργία το εργαλείο κατά τη διάρκεια της συναρμολόγησης.

### Τοποθέτηση του προφυλακτήρα (εικ. Α)

- ◆ Τοποθετήστε τον προφυλακτήρα (10) στο εργαλείο, όπως φαίνεται στην εικόνα.
- ◆ Πιέστε καλά τον προφυλακτήρα μέχρι να κουμπώσει στη θέση του.
- ◆ Στερεώστε τον προφυλακτήρα με τη βίδα (14).

**Προειδοποίηση!** Ποτέ μη χρησιμοποιείτε το εργαλείο, εάν ο προφυλακτήρας δεν είναι σωστά τοποθετημένος στη θέση του.

## Απελευθέρωση του νήματος κοπής

Κατά τη μεταφορά, το νήμα κοπής στερεώνεται με κολλητική ταινία στο περίβλημα της πομπίνας.

- ◆ Αφαιρέστε την κολλητική ταινία που κρατά σταθερό το νήμα κοπής (11) στο περίβλημα της πομπίνας (12).

## Χρήση

**Προειδοποίηση!** Αφήστε το εργαλείο να λειτουργήσει με το δικό του ρυθμό. Μην το υπερφορτώνετε.

## Φόρτιση της μπαταρίας (εικ. Β)

Η μπαταρία πρέπει να φορτιστεί πριν από την πρώτη χρήση της και σε κάθε περίπτωση που αδυνατεί να αποδώσει επαρκή ισχύ για εργασίες οι οποίες σε άλλη περίπτωση γίνονταν με ευχέρεια. Όταν η μπαταρία φορτίζεται για πρώτη φορά ή μετά από παρατεταμένη αποθήκευση, θα φορτιστεί μόνο κατά το 80%. Μετά από μερικούς κύκλους φόρτισης και αποφόρτισης, η μπαταρία θα αποκτήσει πλήρη χωρητικότητα. Η μπαταρία μπορεί να ζεσταθεί κατά τη φόρτισή της. Αυτό είναι φυσιολογικό και δεν είναι ενδεικτικό κάποιου προβλήματος.

- ◆ Εισαγάγετε το βύσμα φορτιστή (15) στο ακροδέκτη σύνδεσης (16) στην πίσω πλευρά του εργαλείου.
- ◆ Βάλτε το φορτιστή σε πρίζα ρεύματος.
- ◆ Βεβαιωθείτε ότι υπάρχει παροχή ρεύματος.

Η μπαταρία μπορεί να παραμείνει συνδεδεμένη στο φορτιστή για απεριόριστο χρονικό διάστημα.

- ◆ Όταν θέλετε να χρησιμοποιήσετε το εργαλείο, αποσυνδέστε το βύσμα φορτιστή από το εργαλείο και βγάλτε το φορτιστή από την πρίζα.

Για να μεγιστοποιηθεί η διάρκεια ζωής της μπαταρίας, συνιστάται η μπαταρία να παραμείνει συνδεδεμένη στο φορτιστή όποτε το εργαλείο δεν χρησιμοποιείται. Όταν η μπαταρία είναι τελείως φορτισμένη, η κατανάλωση του φορτιστή είναι αμελητέα.

## Ρύθμιση του εργαλείου σε λειτουργία φινιρίσματος χόρτου ή άκρων (μπορντούρα) (εικ. C - E)

Το εργαλείο μπορεί να χρησιμοποιηθεί σε λειτουργία φινιρίσματος χόρτου όπως απεικονίζεται στην εικ. C ή σε λειτουργία φινιρίσματος άκρων, για το κόψιμο του προεξέχοντος χόρτου κατά μήκος του χλοοτάπητα, όπως απεικονίζεται στην εικ. D.

## Λειτουργία φινιρίσματος χόρτου (εικ. C & E)

Για τη λειτουργία φινιρίσματος χόρτου, η κεφαλή φινιρίσματος πρέπει να βρίσκεται στη θέση η οποία απεικονίζεται στην εικ. C. Αν δεν βρίσκεται σε αυτή τη θέση, ρυθμίστε την ως ακολούθως:

- ◆ Κρατήστε τη βοηθητική λαβή (4) με το ένα χέρι και το περιλαίμιο (7) με το άλλο, όπως απεικονίζεται.

- ◆ Σπρώξτε το περιλαίμιο προς την κατεύθυνση της κεφαλής φινιρίσματος και περιστρέψτε το προς τα αριστερά, μέχρι να κουμπώσει η κεφαλή φινιρίσματος στη θέση φινιρίσματος χόρτου.
- ◆ Αφήστε το περιλαίμιο.
- ◆ Τοποθετήστε τον οδηγό μπορντούρας (9) στη θέση σύμπτυξης.

## Λειτουργία φινιρίσματος άκρων (εικ. D & E)

Για τη λειτουργία φινιρίσματος άκρων, η κεφαλή φινιρίσματος πρέπει να βρίσκεται στη θέση η οποία απεικονίζεται στην εικ. D. Αν δεν βρίσκεται στη θέση αυτή, ρυθμίστε την ως ακολούθως:

- ◆ Κρατήστε τη βοηθητική λαβή (4) με το ένα χέρι και το περιλαίμιο (7) με το άλλο, όπως απεικονίζεται.
- ◆ Σπρώξτε το περιλαίμιο προς την κατεύθυνση της κεφαλής φινιρίσματος και περιστρέψτε το προς τα δεξιά, μέχρι να κουμπώσει η κεφαλή φινιρίσματος στη θέση φινιρίσματος χόρτου.
- ◆ Αφήστε το περιλαίμιο.
- ◆ Τοποθετήστε τον οδηγό μπορντούρας (9) στην επεκτεταμένη θέση.

## Ρύθμιση του ύψους του εργαλείου (εικ. F)

Ο τηλεσκοπικός σωλήνας (6) σας επιτρέπει να ορίσετε το εργαλείο σε ένα άνετο ύψος.

- ◆ Χαλαρώστε το κολάρο (5).
- ◆ Για να αυξήσετε το ύψος, σύρετε το σωλήνα προς τα έξω.
- ◆ Για να μειώσετε το ύψος, σύρετε το σωλήνα προς τα μέσα.
- ◆ Σφίξτε το κολάρο.

## Θέση εντός και εκτός λειτουργίας

Για την ασφάλειά σας, το εργαλείο διαθέτει διπλό σύστημα εκκίνησης. Το σύστημα αυτό προφυλάσσει από τυχόν αιφνίδια εκκίνηση του εργαλείου.

## Θέση σε λειτουργία

- ◆ Πιέστε το μπουτόν ασφάλισης (2) προς τα πίσω με τον αντίχειρά σας και πιέστε ταυτόχρονα το διακόπτη λειτουργίας (on/off) (1).
- ◆ Αφήστε το κουμπί απασφάλισης.

## Θέση εκτός λειτουργίας

- ◆ Ελευθερώστε τον διακόπτη λειτουργίας (on/off) (1).

**Προειδοποίηση!** Ποτέ μην επιχειρήσετε να ασφαλίσετε τον μοχλό λειτουργίας όταν βρίσκεται σε θέση λειτουργίας (on).

## Συμβουλές για άριστη χρήση

### Γενικές πληροφορίες

- ◆ Για να πετύχετε το καλύτερο δυνατό αποτέλεσμα κοπής, κόβετε το χόρτο μόνο όταν είναι στεγνό.

### Φινιρίσμα χόρτου

- ◆ Κρατήστε το εργαλείο όπως απεικονίζεται στην εικ. C.
- ◆ Εργαστείτε κινώντας τη μηχανή φινιρίσματος χόρτου από τη μία πλευρά στην άλλη.
- ◆ Κατά την κοπή χόρτου μεγάλου ύψους, εργαστείτε σε πολλά διαδοχικά περάσματα ξεκινώντας από την κορυφή. Κόβετε λίγο χόρτο κάθε φορά.
- ◆ Φροντίστε το εργαλείο να παραμένει μακριά από σκληρά αντικείμενα και από ευαίσθητα φυτά.
- ◆ Αν το εργαλείο αρχίσει να ζορίζεται και να κινείται με μικρή ταχύτητα, ελαττώστε το φορτίο.

### Φινιρίσμα άκρων (μπορντούρα)

Το καλύτερο αποτέλεσμα κοπής επιτυγχάνεται όταν το βάθος της μπορντούρας είναι μεγαλύτερο από 50 mm.

- ◆ Μη χρησιμοποιείτε το εργαλείο για τη δημιουργία μπορντούρας. Για να δημιουργήσετε μπορντούρα, χρησιμοποιήστε ένα εργαλείο δημιουργίας μπορντούρας.
- ◆ Οδηγήστε το εργαλείο όπως απεικονίζεται στην εικ. D.
- ◆ Για να διαμορφώσετε λίγο πιο βαθιά κοπή, γείρετε ελαφρά το εργαλείο.

### Τοποθέτηση μιας νέας πομπίνας νήματος κοπής (εικ. G)

Ο αντιπρόσωπός σας της Black & Decker διαθέτει ανταλλακτικές πομπίνες νήματος κοπής (κωδικός κατάλογου: A6481).

- ◆ Κρατήστε τα αυτάκια (17) πατημένα και αφαιρέστε το κάλυμμα της πομπίνας (18) από το περίβλημα (12).
- ◆ Αφαιρέστε την άδεια πομπίνα (19) από το περίβλημα.
- ◆ Αφαιρέστε από το κάλυμμα και το περίβλημα της πομπίνας τυχόν υπολείμματα ακαθαρσιών και χόρτου.
- ◆ Πάρτε τη νέα πομπίνα και ξετυλίξτε περίπου 9 εκ. νήματος κοπής.
- ◆ Περάστε το νήμα κοπής από την οπή (20).
- ◆ Σπρώξτε την πομπίνα πάνω στον άξονα κίνησης (21) και περιστρέψτε την ελαφρά μέχρι να εφαρμόσει στη θέση της. Βεβαιωθείτε ότι η γραμμή κοπής δεν έχει παγιδευτεί κάτω από την πομπίνα και ότι προεξέχουν περίπου 9 cm νήματος κοπής από το περίβλημα.
- ◆ Ευθυγραμμίστε τα αυτάκια στο κάλυμμα της πομπίνας με τις οπές που υπάρχουν στο περίβλημα.
- ◆ Σπρώξτε το κάλυμμα πάνω στο περίβλημα μέχρι να ασφαλίσει κανονικά στη θέση του.

**Προειδοποίηση!** Εάν τα νήματα κοπής εξέχουν από τη λεπίδα αποκοπής νήματος (13), κόψτε τα προκειμένου να φτάνουν ακριβώς στη λεπίδα.

### Περιτύλιξη νέου νήματος σε άδεια πομπίνα (εικ. H & I)

Ο αντιπρόσωπός σας της Black & Decker διαθέτει ανταλλακτικές πομπίνες νήματος κοπής (κωδικός κατάλογου: A6170 (25 m) & A6171 (40 m)).

- ◆ Αφαιρέστε την άδεια πομπίνα από το εργαλείο, όπως περιγράφεται παραπάνω.
- ◆ Αφαιρέστε τυχόν νήμα κοπής το οποίο έχει παραμείνει στην πομπίνα.
- ◆ Τροφοδοτήστε 2 cm νήματος κοπής σε μία από τις οπές (22) της πομπίνας, όπως απεικονίζεται.
- ◆ Λυγίστε το νήμα κοπής και στερεώστε το στην εγκοπή σχήματος L (23).
- ◆ Τυλίξτε το νήμα κοπής στην πομπίνα προς την κατεύθυνση του βέλους (24). Φροντίστε το τύλιγμα του νήματος να γίνει ομαλά και σε ομοιόμορφα στρώματα. Μην τυλίγετε χιαστί.
- ◆ Όταν το τυλιγμένο νήμα κοπής φτάσει στις εσοχές (25), κόψτε το νήμα. Αφήστε το νήμα να εξέχει περίπου 9 εκ. από την πομπίνα και κρατήστε το νήμα με το δάχτυλό σας για να μην φύγει από τη θέση του.
- ◆ Τοποθετήστε την πομπίνα στο εργαλείο, σύμφωνα με τις οδηγίες που παρατίθενται παραπάνω.

**Προειδοποίηση!** Χρησιμοποιείτε μόνο νήμα κοπής κατάλληλου τύπου της Black & Decker. Βεβαιωθείτε ότι υπάρχει νήμα κοπής και στα δύο τμήματα της πομπίνας.

### Αποθήκευση

Όταν το εργαλείο δεν πρόκειται να χρησιμοποιηθεί για μερικούς μήνες, το καλύτερο θα ήταν να αφήσετε τη μπαταρία συνδεδεμένη στο φορτιστή. Στην αντίθετη περίπτωση, ενεργήστε ως ακολούθως:

- ◆ Φορτίστε πλήρως τη μπαταρία.
- ◆ Φυλάξτε το εργαλείο σε ασφαλή και ξηρό χώρο. Η θερμοκρασία φύλαξης πρέπει να είναι πάντα μεταξύ +5 °C και +40 °C.
- ◆ Προτού χρησιμοποιήσετε το εργαλείο μετά από μια παρατεταμένη περίοδο αποθήκευσης, φορτίστε πλήρως τη μπαταρία και πάλι.

### Αντιμετώπιση προβλημάτων

Αν το εργαλείο δείχνει να μη λειτουργεί κανονικά, ενεργήστε σύμφωνα με τις οδηγίες που ακολουθούν. Αν, παρ' όλα αυτά, το πρόβλημά σας δεν λυθεί, επικοινωνήστε με το τοπικό εξουσιοδοτημένο σέρβις της Black & Decker.

**Προειδοποίηση!** Προσέξτε να μη θέσετε κατά λάθος σε λειτουργία το εργαλείο.

### Το εργαλείο λειτουργεί σε χαμηλή ταχύτητα

- ◆ Ελέγξτε αν το περίβλημα της πομπίνας περιστρέφεται ελεύθερα. Καθαρίστε το προσεκτικά, αν χρειάζεται.
- ◆ Βεβαιωθείτε ότι το νήμα κοπής δεν εξέχει περισσότερο από 11 εκ. από το περίβλημα της πομπίνας. Αν το μήκος που εξέχει είναι μεγαλύτερο, κόψτε το ώστε μόλις να φτάνει τη λεπίδα αποκοπής νήματος.

## Δε λειτουργεί η αυτόματη τροφοδοσία νήματος

- ◆ Κρατήστε τα αυτάκια πατημένα και αφαιρέστε το κάλυμμα της μμπομπίνας από το περιβλήμα.
- ◆ Τραβήξτε το νήμα κοπής, έως ότου προεξέχει 11 εκ. από το περιβλήμα. Αν το τμήμα που έχει μείνει πάνω στην μμπομπίνα δεν είναι επαρκές, τοποθετήστε νέα μμπομπίνα νήματος κοπής σύμφωνα με τις οδηγίες που παρατίθενται παραπάνω.
- ◆ Ευθυγραμμίστε τα αυτάκια στο κάλυμμα της μμπομπίνας με τις οπές που υπάρχουν στο περιβλήμα.
- ◆ Σπρώξτε το κάλυμμα πάνω στο περιβλήμα μέχρι να ασφαλιστεί κανονικά στη θέση του.
- ◆ Αν το νήμα κοπής εξέχει πέρα από τη λεπίδα αποκοπής νήματος, κόψτε το έτσι ώστε μόλις να φτάνει στη λεπίδα.

Αν η αυτόματη τροφοδοσία νήματος εξακολουθεί να μην λειτουργεί ή η μμπομπίνα έχει μπλοκάρει, ακολουθήστε τις παρακάτω ενέργειες:

- ◆ Καθαρίστε προσεκτικά το κάλυμμα και το περιβλήμα της μμπομπίνας.
- ◆ Αφαιρέστε την μμπομπίνα και ελέγξτε αν ο μοχλός μπορεί να κινηθεί ελεύθερα.
- ◆ Αφαιρέστε την μμπομπίνα και ξετυλίξτε το νήμα κοπής, και στη συνέχεια τυλίξτε το προσεκτικά και πάλι, σύμφωνα με την παραπάνω περιγραφή. Αντικαταστήστε την μμπομπίνα σύμφωνα με τις οδηγίες.

## Συντήρηση

Αυτό το εργαλείο/συσκευή της Black & Decker με καλώδιο/ ασύρματο έχει σχεδιαστεί έτσι ώστε να λειτουργεί για μεγάλο χρονικό διάστημα με την ελάχιστη δυνατή φροντίδα. Η αδιάλειπτη και κανονική λειτουργία του εργαλείου εξαρτάται από τη φροντίδα και τον τακτικό καθαρισμό.

**Προειδοποίηση!** Πριν εκτελέσετε οποιαδήποτε συντήρηση των ενσύρματων/ασύρματων ηλεκτρικών εργαλείων:

- ◆ Θέστε τη συσκευή/εργαλείο εκτός λειτουργίας και βγάλτε το από την πρίζα.
- ◆ Η θέστε εκτός λειτουργίας και αφαιρέστε τη μπαταρία από τη συσκευή/εργαλείο εάν η συσκευή/εργαλείο έχει ένα ξεχωριστό συγκρότημα μπαταρίας.
- ◆ Η αδειάζετε εντελώς τη μπαταρία εάν είναι ενσωματωμένη και μετά θέστε εκτός λειτουργίας το μηχάνημα.
- ◆ Βγάλτε τον φορτιστή από την πρίζα πριν τον καθαρίσετε. Ο φορτιστής σας δεν απαιτεί καμία συντήρηση εκτός από τον τακτικό καθαρισμό του.
- ◆ Καθαρίζετε τακτικά τις οπές εξαερισμού του εργαλείου/ συσκευής σας και του φορτιστή με μαλακή βούρτσα ή με στεγνό πανί.
- ◆ Να καθαρίζετε τακτικά το περιβλήμα του μοτέρ χρησιμοποιώντας ένα υγρό πανί. Μη χρησιμοποιείτε αποξεστικά καθαριστικά ή υγρά καθαρισμού που περιέχουν διαλύτες.

- ◆ Να ανοίγετε τακτικά το τσος και να το αδειάζετε, προκειμένου να αφαιρείται η σκόνη από το εσωτερικό του (όταν υπάρχει).

## Διάθεση εργαλείων και περιβάλλον



Ξεχωριστή συλλογή. Αυτό το προϊόν δεν πρέπει να απορριφθεί με συνηθισμένα σπιτικά απορρίμματα.

Εάν κάποια μέρα διαπιστώσετε ότι το προϊόν σας Black & Decker χρειάζεται αντικατάσταση ή δεν σας χρησιμεύει πλέον, μην το απορρίψετε με τα σπιτικά απορρίμματα. Κάντε αυτό το προϊόν διαθέσιμο για ξεχωριστή συλλογή.



Η ξεχωριστή συλλογή χρησιμοποιημένων προϊόντων και συσκευασιών επιτρέπει την ανακύκλωση υλικών. Η επανάχρηση ανακυκλωμένων υλικών βοηθάει την προστασία του περιβάλλον και μειώνει την ζήτηση για σπάνια υλικά.

Οι τοπικοί κανονισμοί μπορεί να παρέχουν ξεχωριστή συλλογή ηλεκτρικών προϊόντων από κατοικίες, δημοτικές τοποθεσίες απορριμμάτων ή από τον έμπορο όταν αγοράσατε το καινούργιο προϊόν.

Η Black & Decker δίνει τη δυνατότητα συλλογής και ανακύκλωσης των προϊόντων της που έχουν συμπληρώσει τη διάρκεια ζωής τους. Αν θέλετε να χρησιμοποιήσετε την εν λόγω υπηρεσία, επιστρέψτε το προϊόν σας σε οποιοδήποτε εξουσιοδοτημένο κέντρο επισκευών, όπου θα το παραλάβουν εκ μέρους σας.

Ενημερωθείτε για το πλησιέστερο κέντρο επισκευών της περιοχής σας, επικοινωνώντας με τα γραφεία της Black & Decker στη διεύθυνση που αναγράφεται στο εγχειρίδιο. Επίσης, για να πληροφορηθείτε τα εξουσιοδοτημένα κέντρα επισκευών της Black & Decker και τις λεπτομέρειες και τους αρμόδιους των υπηρεσιών που παρέχονται μετά την πώληση, μπορείτε ανατρέξε στο Διαδίκτυο στη διεύθυνση: [www.2helpU.com](http://www.2helpU.com)

## Μπαταρίες



Όταν πλέον δεν μπορούν να ξαναχρησιμοποιηθούν, απορρίψτε τις με τρόπο κατάλληλο για το περιβάλλον.

- ◆ Μη βραχυκυκλώνετε τους πόλους της μπαταρίας.
- ◆ Μην πετάτε τη μπαταρία σε φωτιά λόγω του ότι μπορεί να φέρει σωματικό τραυματισμό ή μια έκρηξη.
- ◆ Εξαντλήστε πλήρως τη μπαταρία και μετά αφαιρέστε την από το εργαλείο.
- ◆ Οι μπαταρίες είναι ανακυκλώσιμες. Συσκευάστε τη μπαταρία κατάλληλα, ώστε να εξαλείψετε το ενδεχόμενο βραχυκύκλωσης των πόλων.

Στείλτε τις σε κάποιο εξουσιοδοτημένο κέντρο επισκευών ή στον τοπικό σταθμό ανακύκλωσης.

### Τεχνικά χαρακτηριστικά

GLC13 H2	
Τάση	$V_{DC}$ 12
Ταχύτητα άφορτου κίνησης	$min^{-1}$ 7.500
Βάρος	kg 3,2

Τιμή χειροβραχιονικής δόνησης σύμφωνα με το πρότυπο: EN 786: < 2,5

### Δήλωση συμμόρφωσης EK ΟΔΗΓΙΑ ΠΕΡΙ ΜΗΧΑΝΗΜΑΤΩΝ ΟΔΗΓΙΑ ΘΟΡΙΒΟΥ ΕΞΩΤΕΡΙΚΩΝ ΧΩΡΩΝ



GLC13

Η Black & Decker δηλώνει ότι αυτά τα προϊόντα που περιγράφονται στον τομέα "τεχνικά χαρακτηριστικά" είναι σε συμμόρφωση με:

98/37/EK (μέχρι 28 Δεκ. 2009), 2006/42/EK (από 29 Δεκ. 2009), 2004/108/EK, EN 60335-1, EN 60335-2-91

2000/14/EK, Χλοοκοπτικό μηχανήμα,  $L \leq 50$  cm,  
Παράρτημα VIII

KEMA Quality B.V., Utrechtseweg 310, 6802 ED Arnhem,  
Κάτω Χώρες  
Notified Body ID No.: 0344

Επίπεδο ακουστικής ισχύος σύμφωνα με 2000/14/EK  
(Άρθρο 12, Παράρτημα III,  $L \leq 50$  cm):  
 $L_{WA}$  (μετρημένη ισχύς ήχου) 92 dB(A)  
 $L_{WA}$  (εγγυημένη ισχύς ήχου) 94 dB(A)

Για περισσότερες πληροφορίες, επικοινωνήστε με τη Black & Decker στη διεύθυνση που ακολουθεί ή στο πίσω μέρος του εγχειριδίου.

Ο υπογεγραμμένος είναι υπεύθυνος για τη σύνταξη του τεχνικού αρχείου και κάνει την παρών δήλωση εκ μέρους της Black & Decker.

Kevin Hewitt  
Vice-President Global Engineering  
Black & Decker Europe, 210 Bath Road, Slough,  
Berkshire, SL1 3YD  
Ηνωμένο Βασίλειο  
10-12-2009

### Εγγύηση

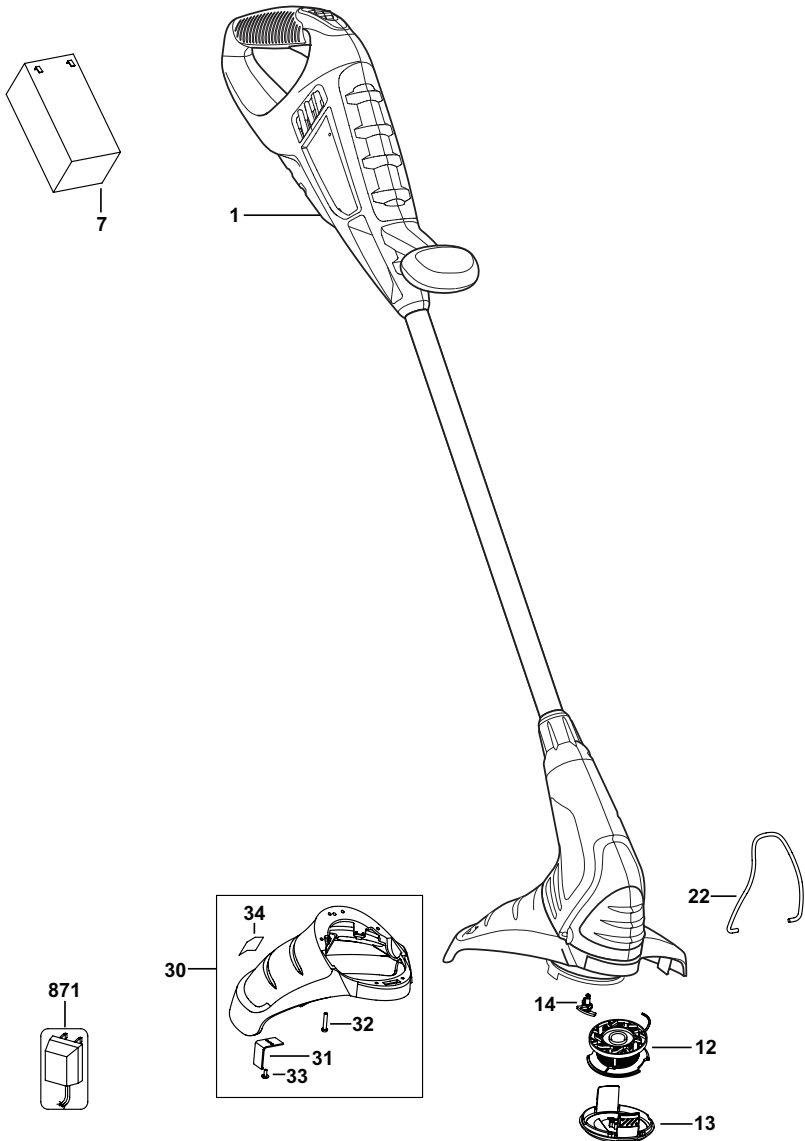
Η Black & Decker είναι σίγουρη για την ποιότητα των προϊόντων της και παρέχει σημαντική εγγύηση. Η παρούσα γραπτή εγγύηση αποτελεί πρόσθετο δικαίωμά σας και δεν ζημιώνει τα συνταγματικά σας δικαιώματα. Η εγγύηση ισχύει εντός της επικράτειας των Κρατών Μελών της Ευρωπαϊκής Ένωσης και της Ευρωπαϊκής Ζώνης Ελευθέρων Συναλλαγών.

Σε περίπτωση που κάποιο προϊόν της Black & Decker παρουσιάσει βλάβη εξαιτίας ελαττωματικών υλικών, ποιότητας εργασίας ή έλλειψης συμφωνίας με τις προδιαγραφές εντός 24 μηνών από την ημερομηνία αγοράς, η Black & Decker εγγυάται την αντικατάσταση των ελαττωματικών τμημάτων, την επισκευή προϊόντων που έχουν υποστεί εύλογη φθορά λόγω χρήσης ή την αντικατάσταση των προϊόντων προκειμένου να εξασφαλίσει την ελάχιστη ενόχληση στους πελάτες της, εκτός αν:

- ◆ Το προϊόν έχει χρησιμοποιηθεί σε εργασιακό, επαγγελματικό περιβάλλον ή αν έχει εννοικιαστεί
- ◆ Έχει γίνει εσφαλμένη χρήση του προϊόντος ή αν έχει παραμεληθεί
- ◆ Το προϊόν έχει υποστεί βλάβη από άλλα αντικείμενα, από ουσίες ή λόγω ατυχήματος
- ◆ Έχει γίνει προσπάθεια επισκευής από μη εξουσιοδοτημένα κέντρα επισκευών ή από προσωπικό που δεν ανήκει στο προσωπικό της Black & Decker

Για να ισχύσει η εγγύηση, πρέπει να υποβάλετε απόδειξη αγοράς στον πωλητή ή το εξουσιοδοτημένο κέντρο επισκευών. Ενημερωθείτε για το πλησιέστερο κέντρο επισκευών της περιοχής σας, επικοινωνώντας με τα γραφεία της Black & Decker στη διεύθυνση που αναγράφεται στο εγχειρίδιο. Επίσης, για να πληροφορηθείτε για τα εξουσιοδοτημένα κέντρα επισκευών της Black & Decker, τις λεπτομέρειες και τους αρμόδιους των υπηρεσιών που παρέχονται μετά την πώληση, μπορείτε να ανατρέξετε στο Διαδίκτυο στη διεύθυνση: [www.2helpU.com](http://www.2helpU.com)

Παρακαλούμε να επισκεφτείτε την ιστοσελίδα μας [www.blackanddecker.eu](http://www.blackanddecker.eu) για να καταχωρήσετε το νέο σας προϊόν Black & Decker και για να ενημερώνεστε για τα νέα προϊόντα και τις ειδικές προσφορές. Περισσότερες πληροφορίες σχετικά με τη μάρκα Black & Decker και τη σειρά προϊόντων μας θα βρείτε στη διεύθυνση [www.blackanddecker.eu](http://www.blackanddecker.eu)







ENGLISH

**Do not forget to register your product!**

[www.blackanddecker.co.uk/productregistration](http://www.blackanddecker.co.uk/productregistration)

Register your product online at [www.blackanddecker.co.uk/productregistration](http://www.blackanddecker.co.uk/productregistration) or send your name, surname and product code to Black & Decker in your country.

DEUTSCH

**Vergessen Sie nicht, Ihr Produkt registrieren zu lassen!**

[www.blackanddecker.de/productregistration](http://www.blackanddecker.de/productregistration)

Lassen Sie Ihr Produkt unter [www.blackanddecker.de/productregistration](http://www.blackanddecker.de/productregistration) online registrieren oder schicken Sie Ihren Nachnamen, Vornamen und den Produktcode an Black & Decker in Ihrem Land.

FRANÇAIS

**N'oubliez pas d'enregistrer votre produit !**

[www.blackanddecker.fr/productregistration](http://www.blackanddecker.fr/productregistration)

Enregistrez votre produit en ligne sur [www.blackanddecker.fr/productregistration](http://www.blackanddecker.fr/productregistration) ou envoyez vos nom, prénom et code produit à Black & Decker dans votre pays.

ITALIANO

**Non dimenticate di registrare il prodotto!**

[www.blackanddecker.it/productregistration](http://www.blackanddecker.it/productregistration)

Registrate il prodotto online su [www.blackanddecker.it/productregistration](http://www.blackanddecker.it/productregistration) o inviate nome, cognome e codice del prodotto al centro Black & Decker del vostro paese.

NEDERLANDS

**Vergeet niet uw product te registreren!**

[www.blackanddecker.nl/productregistration](http://www.blackanddecker.nl/productregistration)

U kunt uw product online registreren op [www.blackanddecker.nl/productregistration](http://www.blackanddecker.nl/productregistration) of u kunt uw voornaam, achternaam en productcode opsturen naar Black & Decker in uw land.

ESPAÑOL

**¡No olvide registrar su producto!**

[www.blackanddecker.es/productregistration](http://www.blackanddecker.es/productregistration)

Registre su producto on-line en [www.blackanddecker.es/productregistration](http://www.blackanddecker.es/productregistration) o envíe su nombre, apellidos y código de producto a Black & Decker en su país.

## PORTUGUÊS

### Não se esqueça de registar o seu produto!

[www.blackanddecker.pt/productregistration](http://www.blackanddecker.pt/productregistration)

Registe o seu produto online em [www.blackanddecker.pt/productregistration](http://www.blackanddecker.pt/productregistration) ou envie o seu nome, apelido e código do produto para a Black & Decker no seu país.

## SVENSKA

### Glöm inte att registrera produkten!

[www.blackanddecker.se/productregistration](http://www.blackanddecker.se/productregistration)

Registrera produkten online på [www.blackanddecker.se/productregistration](http://www.blackanddecker.se/productregistration) eller skicka namn och produktkod till Black & Decker i landet du bor i.

## NORSK

### Ikke glem å registrere produktet ditt!

[www.blackanddecker.no/productregistration](http://www.blackanddecker.no/productregistration)

Registrer produktet ditt online på [www.blackanddecker.no/productregistration](http://www.blackanddecker.no/productregistration), eller send ditt navn, etternavn og produktkode til Black & Decker i ditt eget land.

## DANSK

### Glem ikke at registrere dit produkt!

[www.blackanddecker.dk/productregistration](http://www.blackanddecker.dk/productregistration)

Registrer dit produkt på internettet på: [www.blackanddecker.dk/productregistration](http://www.blackanddecker.dk/productregistration) eller send dit navn, efternavn og produktkode til Black & Decker i dit eget land.

## SUOMI

### Muistathan rekisteröidä tuotteesi!

[www.blackanddecker.fi/productregistration](http://www.blackanddecker.fi/productregistration)

Rekisteröi tuotteesi verkossa osoitteessa [www.blackanddecker.fi/productregistration](http://www.blackanddecker.fi/productregistration) tai lähetä etunimesi, sukunimesi ja tuotekoodi oman maasi Black & Decker -edustajalle.

## ΕΛΛΗΝΙΚΑ

### Μην ξεχάσετε να καταχωρίσετε το προϊόν σας!

[www.blackanddecker.gr/productregistration](http://www.blackanddecker.gr/productregistration)

Καταχωρίστε το προϊόν σας σε σύνδεση στη σελίδα [www.blackanddecker.gr/productregistration](http://www.blackanddecker.gr/productregistration) ή στείλτε το όνομα, επίθετο σας και τον κωδικό προιωντός στη Black & Decker στη χώρα σας.

<b>België/Belgique</b>	Black & Decker (Belgium) N.V. Nieuwlandlaan 7 I.Z. Aarschot B156 3200 Aarschot	Tel. Fax	016 68 91 00 016 68 91 11
<b>Danmark</b>	Black & Decker Sluseholmen 2-4, 2450 København SV Internet: <a href="http://www.blackanddecker.dk">www.blackanddecker.dk</a>	Tel. Fax	70 20 15 10 70 22 49 10
<b>Deutschland</b>	Black & Decker GmbH Black & Decker Str. 40, D - 65510 Idstein	Tel. Fax	06126/21 - 0 06126/21 29 80
<b>Ελλάδα</b>	Black & Decker (Ελλάς) Α.Ε. Σπύρβωνος 7 & Λεωφ. Βουλιαγμένης 159 166 74 Γλυφάδα - Αθήνα	Τηλ. Φαξ <a href="http://www.blackanddecker.eu">www.blackanddecker.eu</a>	210 8981616 210 8983285
<b>España</b>	Black & Decker Ibérica, S.C.A. Parc de Negocis "Mas Blau" Edificio Muntadas, c/Bergadá, 1, Of. A6 08820 El Prat de Llobregat (Barcelona)	Tel. Fax	934 797 400 934 797 419
<b>France</b>	Black & Decker (France) S.A.S. 5 allée des Hêtres B.P. 30084 69579 Limonest Cédex	Tel. Fax	04 72 20 39 20 04 72 20 39 00
<b>Helvetia</b>	ROFO AG Gewerbezone Seeblick 3213 Kleinbödingen	Tel. Fax	026-6749391 026-6749394
<b>Italia</b>	Black & Decker Italia SpA Viale Elvezia 2 20052 Monza (MI)	Tel. Fax Numero verde	039-23871 039-2387592/2387594 800-213935
<b>Nederland</b>	Black & Decker Benelux Joulehof 12, 4622 RG Bergen op Zoom	Tel. Fax	0164 - 283000 0164 - 283100
<b>Norge</b>	Black & Decker (Norge) A/S Postboks 4814, Nydalen, 0422 Oslo Internet: <a href="http://www.blackanddecker.no">www.blackanddecker.no</a>	Tlf. Fax	22 90 99 00 22 90 99 01
<b>Österreich</b>	Black & Decker Vertriebsges.m.b.H Oberlaaerstraße 246, A1100 Wien	Tel. Fax	01 66116-0 01 66116-14
<b>Portugal</b>	Black & Decker Rua Egas Moniz 173 S. João do Estoril 2766-651 Estoril	Tel. Fax	214667500 214667580
<b>Suomi</b>	Black & Decker Oy Keilasatama 3, 02150 Espoo Black & Decker Oy, Kägelhamnen 3, 02150 Esbo	Puh. Faksi Tel. Fax	010 400 430 (09) 2510 7100 010 400 430 (09) 2510 7100
<b>Sverige</b>	Black & Decker AB Box 94, 431 22 Mölndal	Tel. Fax	031-68 60 60 031-68 60 80
<b>United Kingdom</b>	Black & Decker 210 Bath Road Slough, Berkshire SL1 3YD	Tel. Fax Helpline	01753 511234 01753 551155 01753 574277
<b>Middle East &amp; Africa</b>	Black & Decker (Overseas) A.G. PB 5420, Dubai, United Arab Emirates	Tel. Fax	+971 4 2826464 +971 4 2826466