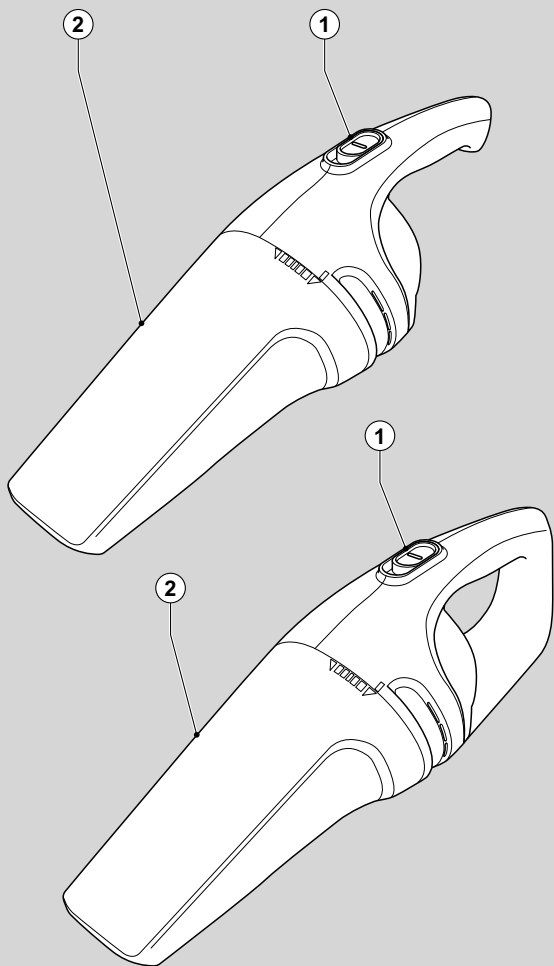




BLACK & DECKER®

www.blackanddecker.co.uk

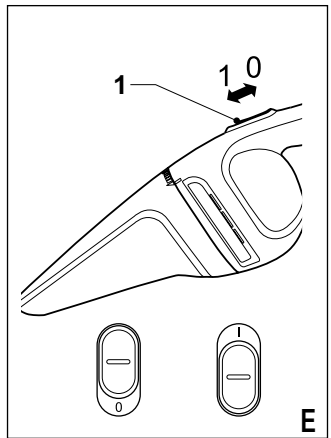
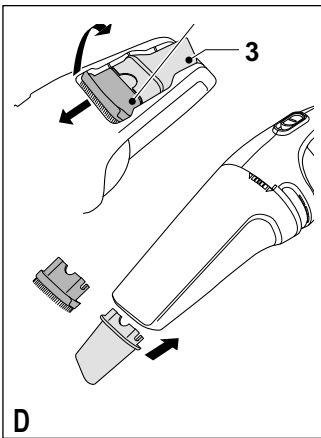
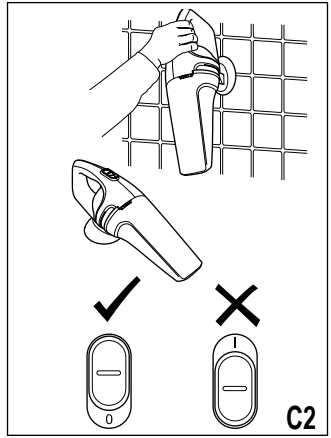
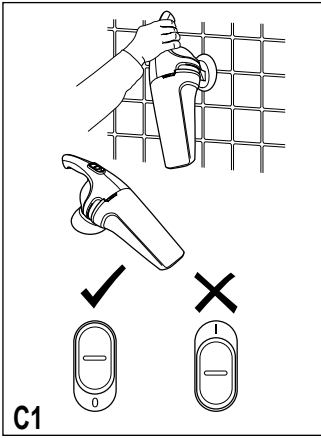
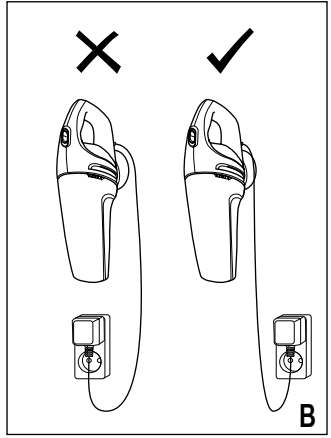
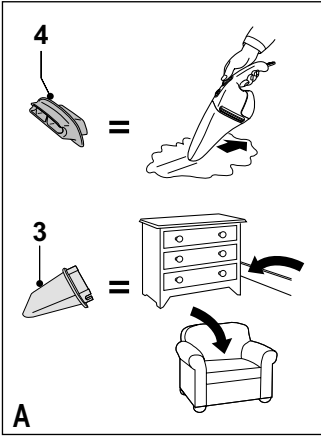


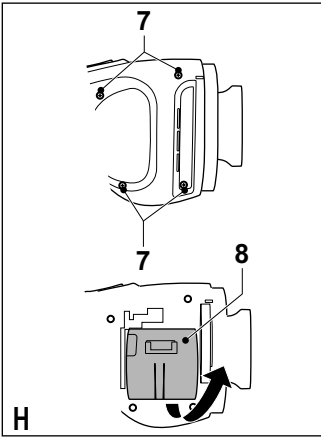
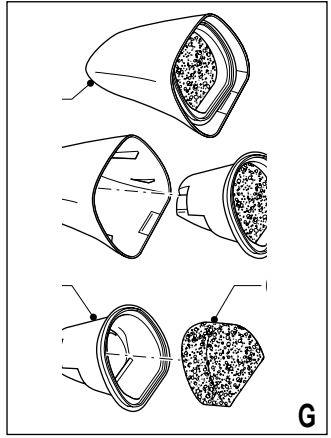
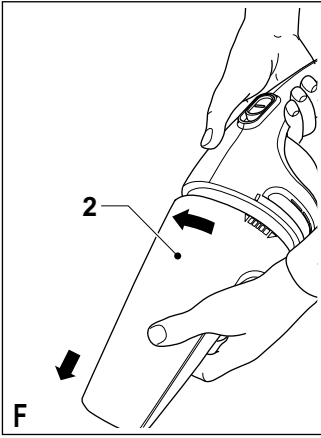
UK

Ireland

Australia

New Zealand





Intended use

Your Black & Decker Dustbuster® hand held vacuum cleaner has been designed for light wet and dry vacuum cleaning purposes. This product is intended for household use only.

Safety instructions

- ◆ **Warning!** When using battery-powered appliances, basic safety precautions, including the following, should always be followed to reduce the risk of fire, leaking batteries, personal injury and material damage.
- ◆ Read this manual carefully before using the appliance.
- ◆ The intended use is described in this manual. The use of any accessory or attachment or the performance of any operation with this appliance other than those recommended in this instruction manual may present a risk of personal injury.
- ◆ Retain this manual for future reference.

Using your appliance

- ◆ Do not use the appliance to pick up liquids or any materials that could catch fire.
- ◆ Do not use the appliance near water. Do not immerse the appliance in water.
- ◆ Never pull the charger lead to disconnect the charger from the socket. Keep the charger lead away from heat, oil and sharp edges.

After use

- ◆ Unplug the charger before cleaning it.
- ◆ When not in use, the appliance should be stored in a dry place. Children should not have access to stored appliances.

Inspection and repairs

- ◆ Before use, check the appliance for damaged or defective parts. Check for breakage of parts, damage to switches and any other conditions that may affect its operation.
- ◆ Do not use the appliance if any part is damaged or defective.

- ◆ Have any damaged or defective parts repaired or replaced by an authorised repair agent.
- ◆ Regularly check the charger lead for damage. Replace the charger if the lead is damaged or defective.
- ◆ Never attempt to remove or replace any parts other than those specified in this manual.

Battery and charger

- ◆ Never attempt to open the battery.
- ◆ Do not expose the battery to water.
- ◆ Do not incinerate the battery.
- ◆ Do not expose the charger to water.
- ◆ Do not open the charger.

Electrical safety

Your charger has been designed for a specific voltage. Always check that the mains voltage corresponds to the voltage on the rating plate. Never attempt to replace the charger unit with a regular mains plug.

Symbols on the charger



Your charger is double insulated; therefore no earth wire is required.



Fail safe isolating transformer. The mains supply is electrically separated from the transformer output.



The charger automatically shuts off if the ambient temperature becomes too high. As a consequence the charger will be inoperable. The unit must be disconnected from the mains supply and taken to an authorised service centre for repair.



The charger is intended for indoor use only.



Read the manual carefully before using the appliance.

Warning! Keep electrical appliances out of reach from children or infirm persons. Do not let them use the appliances without supervision.

Features

1. On/off switch
2. Dust bowl

Fig. A

3. Crevice tool
4. Wet pick-up accessory

Unpacking

Identifying your product

The model design can be determined from the suffix codes used in the catalogue number. The following catalogue numbers are described in this manual: NW36XXY/NW48XXY

The suffix code XX corresponds to the following designs:
00: stick handle, no accessories supplied
03: loop handle, supplied with crevice tool and brush tool
60: loop handle, supplied with crevice tool and wet pick-up accessory

The suffix code Y is used to identify the range of colour options. The suffix code Y represented by the letter N is used for models with an NiMH battery.

Installation

Fitting the wall hook to the wall (fig. B)

The wall hook can be fitted to the wall to provide a convenient storage and charging point for the appliance.

Fitting the charging base to the wall (fig. C1 & C2)

The charging base can be placed on a worktop or fitted to the wall to provide a convenient storage and charging point for the appliance.

Assembly

Fitting the accessories (fig. A & D)

The appliance is supplied with the following accessories:

- ◆ a crevice tool (3) for confined spaces
- ◆ a wet pick-up accessory (4) for wet spills

To fit an accessory, proceed as follows:

- ◆ Take the accessories from the appliance.
- ◆ Insert the appropriate accessory into the front of the appliance.

You may refit the other accessory by clicking it into the accessory holder.

To refit both accessories:

- ◆ Push the accessories down until they click into place.

Use

- ◆ The appliance can be charged while placed on a worktop or hung on the wall using the wall hook provided.
- ◆ Before first use, the battery must be charged for at least 16 hours.
- ◆ Leave the appliance connected to the charger whenever it is not in use.

Charging the battery (fig. C1 & C2)

- ◆ Make sure that the appliance is switched off. The battery will not be charged with the on/off switch in the on position.
- ◆ Fit the appliance properly on the charger aligning the arrow on the charger with the split of the appliance.
- ◆ Plug in the charger. Switch on at the mains.
- ◆ Leave the appliance to charge for at least 16 hours.

Whilst charging, the charger may become warm. This is normal and does not indicate a problem. The appliance can be left connected to the charger indefinitely.

Warning! Do not charge the battery at ambient temperatures below 4 °C or above 40 °C.

Switching on and off (fig. E)

- ◆ To switch on, slide the on/off switch (1) forward.
- ◆ To switch off, slide the on/off switch back.

Wet pick-up (fig. A)

Use the wet pick-up accessory (4) on non-absorbent surfaces.

For best results when using this accessory, hold the appliance at an angle of 45° and pull it slowly towards you.

On absorbent surfaces, such as carpet, your appliance will pick up wet spills better without the accessory.

Cleaning and maintenance

Warning! Regularly clean the filters.

Cleaning the dust bowl and filters (fig. F & G)

The filters are re-usable and should be cleaned regularly.

- ◆ Remove the dust bowl (2) by turning counterclockwise.
- ◆ Empty the dust bowl.
- ◆ Remove the filters (5 & 6).
- ◆ Wash the filters in warm, soapy water. The bowl can also be washed if necessary. Do not immerse the appliance in water.
- ◆ Make sure the dust bowl and filters are dry.
- ◆ Refit the filters (5 & 6).
- ◆ Refit the dust bowl onto the appliance. Make sure the dust bowl clicks into place.

Warning! Never use the appliance without the filters. Optimum dust collection will only be achieved with clean filters and an empty dust bowl.

Replacing the filters

The filters should be replaced every 6 to 9 months and whenever worn or damaged. Replacement filters are available from your Black & Decker dealer (cat. no. WVF60).

- ◆ Remove the old filters as described above.
- ◆ Fit the new filters as described above.

Protecting the environment



Separate collection.
This product must not be disposed of with normal household waste.

Should you find one day that your Black & Decker product needs replacement, or if it is of no further use to you, do not dispose of it with household waste. Make this product available for separate collection.



Separate collection of used products and packaging allows materials to be recycled and used again. Re-use of recycled materials helps prevent environmental pollution and reduces the demand for raw materials.

Local regulations may provide for separate collection of electrical products from the household, at municipal waste sites or by the retailer when you purchase a new product.

Black & Decker provides a facility for the collection and recycling of Black & Decker products once they have reached the end of their working life. To take advantage of this service please return your product to any authorised repair agent who will collect them on our behalf.

You can check the location of your nearest authorised repair agent by contacting your local Black & Decker office at the address indicated in this manual. Alternatively, a list of authorised Black & Decker repair agents and full details of our after-sales service and contacts are available on the Internet at: www.2helpU.com

Battery (fig. H)



If you want to dispose of the product yourself, the battery must be removed as described below and disposed of in accordance with local regulations.

Warning! Disconnect the appliance from the power supply before removing the battery.

- ◆ Discharge the battery by operating the appliance until the motor stops.
- ◆ Take the accessories from the appliance.
- ◆ Remove the screws (7).
- ◆ Open the appliance.
- ◆ Remove the battery and the attached motor and switch module (8).
- ◆ Use a screwdriver to detach the battery from the motor and switch module.
- ◆ Place the battery in suitable packaging to ensure that the terminals cannot be short-circuited.
- ◆ Take the battery to your service agent or a local recycling station.

Warning! Once removed, the battery cannot be refitted.

Technical data

	NW36XXY	NW48XXY
Voltage	V 3.6	4.8
Battery type	NiCd/NiMH	NiCd/NiMH
Weight	kg 0.9	0.9

Charger

Input voltage	V _{AC} 230
Approx. charging time	h 16

EC declaration of conformity

NW36XXY/NW48XXY

Black & Decker declares that these products conform to:

89/336/EEC, 73/23/EEC, EN 55014, EN60335, EN 61000

Level of sound pressure, measured according to EN 60704-1: < 70 dB(A)

Kevin Hewitt

Director of Consumer Engineering
Spennymoor, County Durham DL16 6JG,
United Kingdom
1-11-2006

European Community patent application nos. 000 540 745 & 000 540 752

European Community design application nos. 000 541 230 & 000 540 752

DUSTBUSTER is a registered trade mark of the Black & Decker Corporation.

Guarantee

Black & Decker is confident of the quality of its products and offers an outstanding guarantee. This guarantee statement is in addition to and in no way prejudices your statutory rights. The guarantee is valid within the territories of the Member States of the European Union and the European Free Trade Area.

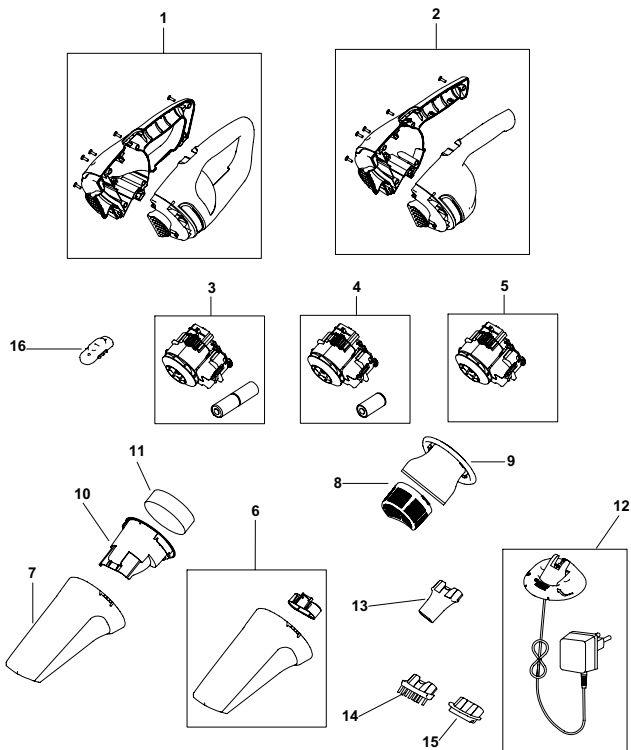
If a Black & Decker product becomes defective due to faulty materials, workmanship or lack of conformity, within 24 months from the date of purchase, Black & Decker guarantees to replace defective parts, repair products subjected to fair wear and tear or replace such products to ensure minimum inconvenience to the customer unless:

- ◆ The product has been used for trade, professional or hire purposes;
- ◆ The product has been subjected to misuse or neglect;
- ◆ The product has sustained damage through foreign objects, substances or accidents;
- ◆ Repairs have been attempted by persons other than authorised repair agents or Black & Decker service staff.

To claim on the guarantee, you will need to submit proof of purchase to the seller or an authorised repair agent. You can check the location of your nearest authorised repair agent by contacting your local Black & Decker office at the address indicated in this manual.

Alternatively, a list of authorised Black & Decker repair agents and full details of our after-sales service and contacts are available on the Internet at: **www.2helpU.com**

Please visit our website **www.blackanddecker.co.uk** to register your new Black & Decker product and to be kept up to date on new products and special offers. Further information on the Black & Decker brand and our range of products is available at **www.blackanddecker.co.uk**



E14871

www.2helpU.com

21 - 08 - 06

©

Australia

Black & Decker (Australia) Pty. Ltd.
20 Fletcher Road, Mooroolbark,
Victoria, 3138

Tel. 03-8720 5100
Fax 03-9727 594065

New Zealand

Black & Decker
81 Hugo Johnston Drive
Penrose, Auckland, New Zealand

Tel. 09 579 7600
Fax 09 579 8200

United Kingdom

Black & Decker
210 Bath Road
Slough, Berkshire SL1 3YD

Tel. 01753 511234
Fax 01753 551155
Helpline 01753 574277