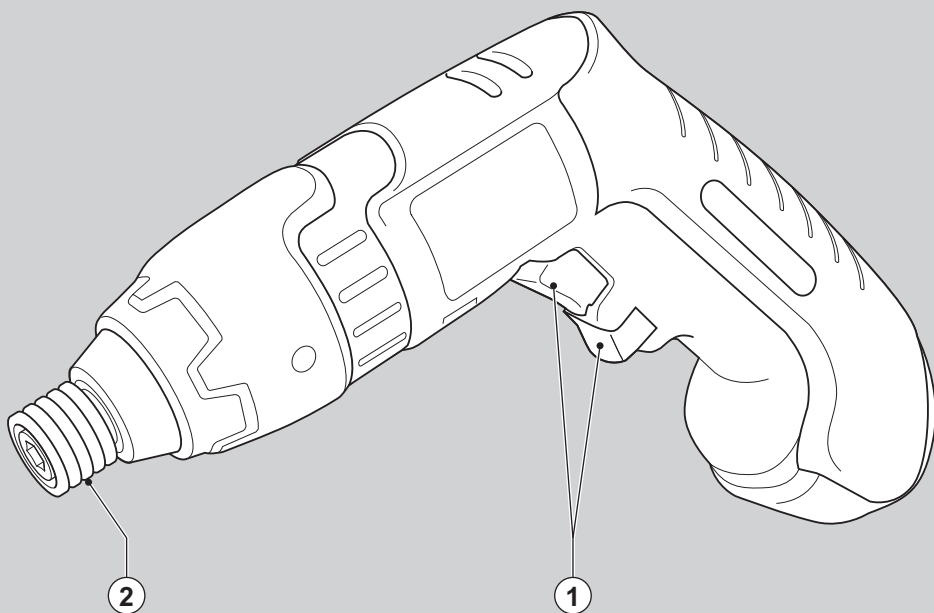


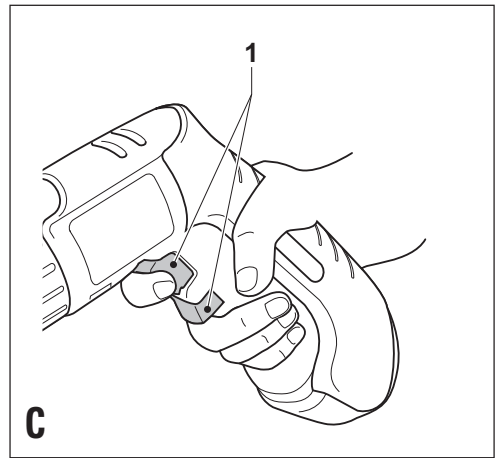
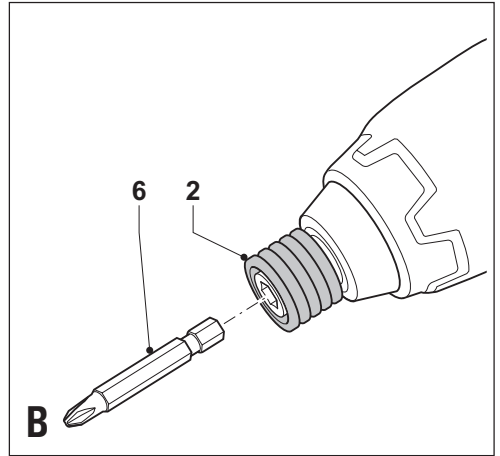
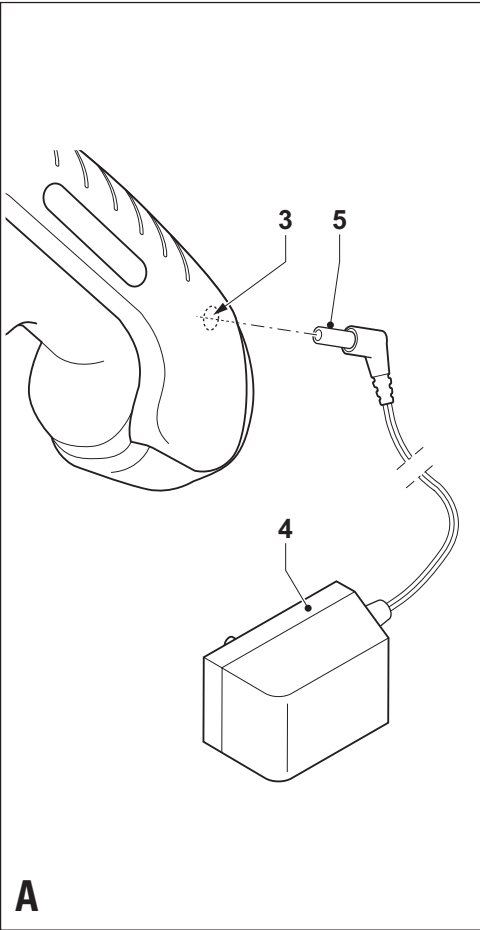
 **BLACK & DECKER®**

XT™

www.blackanddecker.com



English	3
Deutsch	8
Français	14
Italiano	20
Nederlands	26
Español	32
Português	38
Svenska	44
Norsk	49
Dansk	54
Suomi	59
Ελληνικά	65



Intended use

Your Black & Decker impact screwdriver has been designed for screwdriving applications and for drilling pilot holes in wood, metal and plastics.

This tool is intended for consumer use only.

Your Black & Decker charger has been designed for charging the battery in the tool with which it was supplied.

General safety rules

Warning! Read all instructions. Failure to follow all instructions listed below may result in electric shock, fire and/or serious injury. The term "power tool" in all of the warnings listed below refers to your mains operated (corded) power tool or battery operated (cordless) power tool.

SAVE THESE INSTRUCTIONS.

1. Work area

- a. **Keep work area clean and well lit.**
Cluttered and dark areas invite accidents.
- b. **Do not operate power tools in explosive atmospheres, such as in the presence of flammable liquids, gases or dust.**
Power tools create sparks which may ignite the dust or fumes.
- c. **Keep children and bystanders away while operating a power tool.**
Distractions can cause you to lose control.

2. Electrical safety

- a. **Power tool plugs must match the outlet. Never modify the plug in any way. Do not use any adapter plugs with earthed (grounded) power tools.**
Unmodified plugs and matching outlets will reduce risk of electric shock.
- b. **Avoid body contact with earthed or grounded surfaces such as pipes, radiators, ranges and refrigerators.**
There is an increased risk of electric shock if your body is earthed or grounded.
- c. **Do not expose power tools to rain or wet conditions.**
Water entering a power tool will increase the risk of electric shock.
- d. **Do not abuse the cord. Never use the cord for carrying, pulling or unplugging the power tool. Keep cord away from heat, oil, sharp edges or moving parts.**
Damaged or entangled cords increase the risk of electric shock.
- e. **When operating a power tool outdoors, use an extension cord suitable for outdoor use.**
Use of a cord suitable for outdoor use reduces the risk of electric shock.

3. Personal safety

- a. **Stay alert, watch what you are doing and use common sense when operating a power tool. Do not use a power tool while you are tired or under the influence of drugs, alcohol or medication.**
A moment of inattention while operating power tools may result in serious personal injury.
 - b. **Use safety equipment. Always wear eye protection.**
Safety equipment such as dust mask, non-skid safety shoes, hard hat, or hearing protection used for appropriate conditions will reduce personal injuries.
 - c. **Avoid accidental starting. Ensure the switch is in the off position before plugging in.**
Carrying power tools with your finger on the switch or plugging in power tools that have the switch on invites accidents.
 - d. **Remove any adjusting key or wrench before turning the power tool on.**
A wrench or a key left attached to a rotating part of the power tool may result in personal injury.
 - e. **Do not overreach. Keep proper footing and balance at all times.**
This enables better control of the power tool in unexpected situations.
 - f. **Dress properly. Do not wear loose clothing or jewellery. Keep your hair, clothing and gloves away from moving parts.**
Loose clothes, jewellery or long hair can be caught in moving parts.
 - g. **If devices are provided for the connection of dust extraction and collection facilities, ensure these are connected and properly used.**
Use of these devices can reduce dust related hazards.
- ### 4. Power tool use and care
- a. **Do not force the power tool. Use the correct power tool for your application.**
The correct power tool will do the job better and safer at the rate for which it was designed.
 - b. **Do not use the power tool if the switch does not turn it on and off.**
Any power tool that cannot be controlled with the switch is dangerous and must be repaired.
 - c. **Disconnect the plug from the power source before making any adjustments, changing accessories, or storing power tools.**
Such preventive safety measures reduce the risk of starting the power tool accidentally.
 - d. **Store idle power tools out of the reach of children and do not allow persons unfamiliar with the power tool or these instructions to operate the power tool.**
Power tools are dangerous in the hands of untrained users.

- e. **Maintain power tools. Check for misalignment or binding of moving parts, breakage of parts and any other condition that may affect the power tools operation. If damaged, have the power tool repaired before use.**

Many accidents are caused by poorly maintained power tools.

- f. **Keep cutting tools sharp and clean.**
Properly maintained cutting tools with sharp cutting edges are less likely to bind and are easier to control.
- g. **Use the power tool, accessories and tool bits etc., in accordance with these instructions and in the manner intended for the particular type of power tool, taking into account the working conditions and the work to be performed.**

Use of the power tool for operations different from those intended could result in a hazardous situation.

5. Battery tool use and care

- a. **Ensure the switch is in the off position before inserting battery pack.**

Inserting the battery pack into power tools that have the switch on invites accidents.

- b. **Recharge only with the charger specified by the manufacturer.**

A charger that is suitable for one type of battery pack may create a risk of fire when used with another battery pack.

- c. **Use power tools only with specifically designated battery packs.**

Use of any other battery packs may create a risk of injury and fire.

- d. **When battery pack is not in use, keep it away from other metal objects like paper clips, coins, keys, nails, screws, or other small metal objects that can make a connection from one terminal to another.**

Shorting the battery terminals together may cause burns or a fire.

- e. **Under abusive conditions, liquid may be ejected from the battery; avoid contact. If contact accidentally occurs, flush with water. If liquid contacts eyes, additionally seek medical help.**

Liquid ejected from the battery may cause irritation or burns.

6. Service

- a. **Have your power tool serviced by a qualified repair person using only identical replacement parts.**

This will ensure that the safety of the power tool is maintained.

Additional safety instructions for impact drills

- ◆ **Wear ear protectors with impact drills.** Exposure to noise can cause hearing loss.

- ◆ **Use auxiliary handles supplied with the tool.** Loss of control can cause personal injury.

Additional safety instructions for drill/screwdrivers

- ◆ **Hold tool by insulated gripping surfaces when performing an operation where the cutting tool may contact hidden wiring or its own cord.** Contact with a "live" wire will make exposed metal parts of the tool "live" and shock the operator.
- ◆ **Use clamps or another practical way to secure and support the work piece to a stable platform.** Holding the work by hand or against your body leaves it unstable and may lead to loss of control.
- ◆ Before drilling into walls, floors or ceilings, check for the location of wiring and pipes.
- ◆ Avoid touching the tip of a drill bit just after drilling, as it may be hot.

Additional safety instructions for batteries and chargers

Batteries

- ◆ Never attempt to open for any reason.
- ◆ Do not expose the battery to water.
- ◆ Do not store in locations where the temperature may exceed 40 °C.
- ◆ Charge only at ambient temperatures between 10 °C and 40 °C.
- ◆ Charge only using the charger provided with the tool.
- ◆ When disposing of batteries, follow the instructions given in the section "Protecting the environment".

Chargers

- ◆ Use your Black & Decker charger only to charge the battery in the tool with which it was supplied. Other batteries could burst, causing personal injury and damage.
- ◆ Never attempt to charge non-rechargeable batteries.
- ◆ Have defective cords replaced immediately.
- ◆ Do not expose the charger to water.
- ◆ Do not open the charger.
- ◆ Do not probe the charger.



The charger is intended for indoor use only.



Read the instruction manual before use.



Fail safe isolating transformer. The mains supply is electrically separated from the transformer output.



The charger automatically shuts off if the ambient temperature becomes too high. As a consequence the charger will be inoperable. The unit must be disconnected from the mains supply and taken to an authorised service centre for repair.

Electrical safety



Your charger is double insulated; therefore no earth wire is required. Always check that the mains voltage corresponds to the voltage on the rating plate. Never attempt to replace the charger unit with a regular mains plug.

- ◆ This appliance is not intended for use by young or infirm persons without supervision. Children must be supervised to ensure they do not play with the appliance.
- ◆ If the supply cord is damaged, it must be replaced by the manufacturer or an authorised Black & Decker Service Centre in order to avoid a hazard.

Overview

1. Forward/reverse switch
2. Bit holder sleeve

Fig. A

3. Charger connector
4. Charger
5. Charger plug

Assembly

Fitting and removing a drill bit, socket driver bit or screwdriver bit (fig. B)

This tool uses socket driver bits, screwdriver bits and drill bits with a 1/4" (6.35 mm) hexagonal shank.

- ◆ Pull back the bit holder sleeve (2).
- ◆ Insert the bit shaft (6) into the bit holder.
- ◆ Release the bit holder sleeve.

Use

Charging the battery (fig. A)

The battery needs to be charged before first use and whenever it fails to produce sufficient power on jobs that were easily done before. When charging the battery for the first time, or after prolonged storage, it will only accept an 80% charge. After several charge and discharge cycles, the battery will attain full capacity. The battery may become warm while charging; this is normal and does not indicate a problem.

Warning! Do not charge the battery at ambient temperatures below 4 °C or above 40 °C. Recommended charging temperature: approx. 24 °C.

- ◆ To charge the battery, insert the charger plug (5) into the connector (3). Make sure that the head is in straight position.
- ◆ Plug in the charger (4). Switch on at the mains.
- ◆ Leave the tool connected to the charger for 6-8 hours. The charger may hum and become warm while charging; this is normal and does not indicate a problem. Generally, a charging time of 6 hours will enable the tool to operate at an effective power level for most tasks. However, further charging for up to 8 hours could significantly increase the run time, depending on the battery and charging conditions.
- ◆ Before using the tool, unplug the charger and disconnect the tool from the charger.

Warning! Do not use the tool while it is connected to the charger.

Drilling/screwdriving (fig. C)

For drilling and for tightening screws, use forward (clockwise) rotation. For loosening screws or removing a jammed drill bit, use reverse (counterclockwise) rotation.

- ◆ To switch the tool on in forward rotation press the upper button on the forward/reverse switch (1).
- ◆ To switch the tool on in reverse rotation press the lower button on the forward/reverse switch (1).
- ◆ To switch the tool off, release the switch.

Hints for optimum use

Drilling

- ◆ Always apply a light pressure in a straight line with the drill bit.
- ◆ Just before the drill tip breaks through the other side of the workpiece, decrease pressure on the tool.
- ◆ Use a block of wood to back up workpieces that may splinter.
- ◆ Use HSS drill bits when drilling in metal.
- ◆ Use a lubricant when drilling metals other than cast iron and brass.
- ◆ Make an indentation using a centre punch at the centre of the hole to be drilled in order to improve accuracy.

Screwdriving

- ◆ Always use the correct type and size of screwdriver bit.
- ◆ If screws are difficult to tighten, try applying a small amount of washing liquid or soap as a lubricant.
- ◆ Always hold the tool and screwdriver bit in a straight line with the screw.

- ◆ When screwing in wood, it is recommended to drill a pilot hole with a depth equal to the length of the screw. A pilot hole guides the screw and prevents splintering or distortion of the wood. For the optimum size of the pilot hole, refer to the table below.
- ◆ When screwing in hardwood, also drill a clearance hole with a depth equal to half the length of the screw. For the optimum size of the clearance hole, refer to the table below.

Screw size	Pilot hole \varnothing (softwood)	Pilot hole \varnothing (hardwood)	Clearance hole
No. 6 (3.5 mm)	2.0 mm	2.5 mm	3.6 mm
No. 8 (4 mm)	2.5 mm	3.0 mm	4.5 mm
No. 10 (5 mm)	3.0 mm	3.5 mm	5.0 mm
No. 12 (5.5 mm)	3.5 mm	4.0 mm	5.5 mm

Note: When the impact mechanism engages, a ratcheting sound is produced. This is normal and does not indicate a problem.

Accessories

The performance of your tool depends on the accessory used. Black & Decker and Piranha accessories are engineered to high quality standards and designed to enhance the performance of your tool. By using these accessories you will get the very best from your tool.

This tool uses socket driver bits, screwdriver bits and drill bits with a 1/4" (6.35 mm) hexagonal shank. Piranha Super-lok accessories are designed for use with this tool.

Warning! Use only dedicated impact accessories with your tool. Screwdriver bits shorter than 50 mm are not suitable for use with this tool.

Maintenance

Your Black & Decker tool has been designed to operate over a long period of time with a minimum of maintenance.

Continuous satisfactory operation depends upon proper tool care and regular cleaning.

Your charger does not require any maintenance apart from regular cleaning.

Warning! Unplug the charger before cleaning it.

- ◆ Regularly clean the ventilation slots in your tool and charger using a soft brush or dry cloth.
- ◆ Regularly clean the motor housing using a damp cloth. Do not use any abrasive or solvent-based cleaner.

Protecting the environment



Separate collection. This product must not be disposed of with normal household waste.

Should you find one day that your Black & Decker product needs replacement, or if it is of no further use to you, do not dispose of it with household waste. Make this product available for separate collection.



Separate collection of used products and packaging allows materials to be recycled and used again. Re-use of recycled materials helps prevent environmental pollution and reduces the demand for raw materials.

Local regulations may provide for separate collection of electrical products from the household, at municipal waste sites or by the retailer when you purchase a new product.

Black & Decker provides a facility for the collection and recycling of Black & Decker products once they have reached the end of their working life. To take advantage of this service please return your product to any authorised repair agent who will collect them on our behalf.

You can check the location of your nearest authorised repair agent by contacting your local Black & Decker office at the address indicated in this manual. Alternatively, a list of authorised Black & Decker repair agents and full details of our after-sales service and contacts are available on the Internet at: www.2helpU.com

Batteries



Black & Decker batteries can be recharged many times. At the end of their useful life, discard batteries with due care for our environment:

- ◆ Run the battery down completely, then remove it from the tool.
- ◆ NiCd and NiMH batteries are recyclable. Take them to any authorised repair agent or a local recycling station.

Technical data

	XTC60K
Voltage	V _{DC} 6
No-load speed	min ⁻¹ 2,100
No-load impact	min ⁻¹ 5,600
Max. torque	Nm 35
Bit holder	1/4" (6.35 mm hex)
Max. drilling capacity	mm 6
Weight	kg 0.9

Charger

Input voltage	V _{AC}	230
Approx. charging time	h	6-8
Weight	kg	0.2

EC declaration of conformity

XTC60K

Black & Decker declares that these products conform to:
 98/37/EC, 89/336/EEC, 73/23/EEC, EN 60745, EN 60335,
 EN 55014, EN 61000

L_{DA} (sound pressure) 73.7 dB(A), L_{WA} (acoustic power)
 84.7 dB(A), hand/arm weighted vibration 1.72 m/s²

K_{DA} (sound pressure uncertainty) 3 dB(A),
 K_{WA} (acoustic power uncertainty) 3 dB(A)



Kevin Hewitt
 Director of Consumer Engineering
 Spennymoor, County Durham DL16 6JG,
 United Kingdom
 1-7-2006

Guarantee

Black & Decker is confident of the quality of its products and offers an outstanding guarantee. This guarantee statement is in addition to and in no way prejudices your statutory rights. The guarantee is valid within the territories of the Member States of the European Union and the European Free Trade Area.



If a Black & Decker XT product (excluding accessories, attachments, batteries, chargers and chucks) becomes defective due to faulty materials, workmanship or lack of conformity within 3 years from the date of purchase, Black & Decker guarantees to replace all defective parts, repair products subject to fair wear and tear or replace such products, provided that the product is registered on the Black & Decker XT warranty website within 90 days of purchase. If the product is not registered, then only the standard warranty (2 years) applies.

The warranty does not apply if:

- ◆ The product has been used for trade, professional or hire purposes;
- ◆ The product has been subjected to misuse or neglect;
- ◆ The product has sustained damage through foreign objects, substances or accidents;
- ◆ Repairs have been attempted by unauthorised persons;

- ◆ The product has been adapted in any way from its original specification;
- ◆ Unsuitable accessories or attachments have been used.

The extended warranty does not apply if:

- ◆ Proof of purchase and the original extended warranty certificate is not produced.

Register your product on-line now at www.blackanddecker.co.uk/xt to qualify for the extended warranty (3 years), and to be kept up to date on new products and special offers.

To claim on the guarantee, you will need to submit proof of purchase to the seller or an authorised repair agent. You can check the location of your nearest authorised repair agent by contacting your local Black & Decker office at the address indicated in this manual. Alternatively, a list of authorised Black & Decker repair agents and full details of our after-sales service and contacts are available on the Internet at: **www.2helpU.com**

Further information on the Black & Decker brand and our range of products is available at **www.blackanddecker.co.uk**

Bestimmungsgemäße Verwendung

Ihr Black & Decker Schlagschrauber wurde für Schraubaufgaben sowie für Vorbohrungen in Holz, Metall und Kunststoff konstruiert. Dieses Gerät ist nicht für den gewerblichen Einsatz vorgesehen. Ihr Black & Decker Ladegerät dient zum Aufladen des im Gerät befindlichen, mitgelieferten Akkus.

Allgemeine Sicherheitsregeln

Achtung! Sämtliche Anweisungen sind zu lesen. Die Nichteinhaltung der nachstehend aufgeführten Anweisungen kann elektrischen Schlag, Brand und/oder schwere Verletzungen verursachen. Der nachfolgend verwendete Begriff "Gerät" bezieht sich auf netzbetriebene Geräte (mit Netzkabel) und auf akkubetriebene Geräte (ohne Netzkabel). BEWAHREN SIE DIESE ANWEISUNGEN AUF.

1. Arbeitsbereich

- a. **Halten Sie Ihren Arbeitsbereich sauber und gut ausgeleuchtet.**
Unordnung und dunkle Arbeitsbereiche können zu Unfällen führen.
- b. **Arbeiten Sie mit Geräten nicht in explosionsgefährdeter Umgebung, in der sich brennbare Flüssigkeiten, Gase oder Stäube befinden.**
Geräte erzeugen Funken, die den Staub oder die Dämpfe entzünden können.
- c. **Halten Sie Kinder und andere Personen während der Benutzung des Gerätes fern.**
Bei Ablenkung können Sie die Kontrolle verlieren.

2. Elektrische Sicherheit

- a. **Der Anschlussstecker des Gerätes muß in die Steckdose passen. Der Stecker darf in keiner Weise verändert werden. Verwenden Sie keine Adapterstecker gemeinsam mit schutzgeerdeten Geräten.**
Unveränderte Stecker und passende Steckdosen verringern das Risiko eines elektrischen Schlages.
- b. **Vermeiden Sie Körperkontakt mit geerdeten Oberflächen von Rohren, Heizungen, Herden und Kühlschränken.**
Es besteht ein erhöhtes Risiko eines elektrischen Schlags, wenn Ihr Körper geerdet ist.
- c. **Halten Sie Geräte von Regen und Nässe fern.**
Das Eindringen von Wasser in ein Gerät erhöht das Risiko eines elektrischen Schlages.
- d. **Missbrauchen Sie nicht das Kabel. Verwenden Sie das Kabel niemals zum Tragen, Ziehen oder Trennen des Gerätes vom Netz. Halten Sie das Kabel fern von Hitze, Öl, scharfen Kanten oder sich bewegenden Teilen.**
Beschädigte oder verwickelte Kabel erhöhen das Risiko eines elektrischen Schlages.

- e. **Wenn Sie mit einem Gerät im Freien arbeiten, verwenden Sie nur Verlängerungskabel, die auch für den Außenbereich zugelassen sind.**
Die Verwendung eines für den Außenbereich geeigneten Verlängerungskabels verringert das Risiko eines elektrischen Schlages.

3. Sicherheit von Personen

- a. **Seien Sie aufmerksam, achten Sie darauf, was Sie tun, und gehen Sie vernünftig mit einem Gerät um. Benutzen Sie das Gerät nicht, wenn Sie müde sind oder unter dem Einfluss von Drogen, Alkohol oder Medikamenten stehen.**
Ein Moment der Unachtsamkeit beim Gebrauch von Geräten kann zu ernsthaften Verletzungen führen.
- b. **Verwenden Sie Schutzausrüstung. Tragen Sie stets einen Augenschutz.**
Schutzausrüstung wie Staubmaske, rutschfeste Sicherheitsschuhe, Schutzhelm oder Gehörschutz, je nach Art und Einsatz des Gerätes, verringert das Risiko von Verletzungen.
- c. **Vermeiden Sie eine unbeabsichtigte Inbetriebnahme. Stellen Sie sicher, daß sich der Schalter in der Aus-Stellung befindet, bevor das Gerät mit dem Netz verbunden wird.**
Durch das Tragen des Gerätes mit dem Finger am Schalter oder durch das Verbinden eingeschalteter Geräte werden Unfälle provoziert.
- d. **Entfernen Sie Einstellgeräte oder Schraubenschlüssel, bevor Sie das Gerät einschalten.**
Ein Gerät oder Schlüssel, der sich in einem drehenden Teil befindet, kann zu Verletzungen führen.
- e. **Nicht zu weit nach vorne strecken! Achten Sie auf einen sicheren Stand, um in jeder Arbeitsposition das Gleichgewicht zu halten.**
Dadurch können Sie das Gerät in unerwarteten Situationen besser unter Kontrolle halten.
- f. **Tragen Sie geeignete Kleidung. Tragen Sie keine weite Kleidung oder Schmuck. Halten Sie Haare, Kleidung und Handschuhe fern von sich bewegenden Teilen.**
Lockere Kleidung, Schmuck oder lange Haare können von sich bewegenden Teilen erfaßt werden.
- g. **Falls Staubabsaug- und -auffangvorrichtungen vorhanden sind, vergewissern Sie sich, daß diese angeschlossen sind und richtig verwendet werden.**
Das Verwenden dieser Einrichtungen verringert Gefährdungen durch Staub.

4. Gebrauch und Pflege von Geräten

a. Überlasten Sie das Gerät nicht. Verwenden Sie für Ihre Arbeit das dafür bestimmte Gerät.

Mit dem passenden Gerät arbeiten Sie besser und sicherer im angegebenen Leistungsbereich.

b. Benutzen Sie kein Gerät, dessen Schalter defekt ist.

Ein Gerät, das sich nicht mehr ein- oder ausschalten lässt, ist gefährlich und muß repariert werden.

c. Ziehen Sie den Stecker aus der Steckdose, bevor Sie Einstellungen vornehmen, Zubehörteile wechseln oder das Gerät weglegen.

Diese Vorsichtsmaßnahme verhindert den unbeabsichtigten Start des Gerätes.

d. Bewahren Sie unbenutzte Geräte außerhalb der Reichweite von Kindern auf. Lassen Sie Geräte nicht von Personen benutzen, die damit nicht vertraut sind oder diese Anweisungen nicht gelesen haben.

Geräte sind gefährlich, wenn Sie von unerfahrenen Personen benutzt werden.

e. Halten Sie Geräte in einem einwandfreien Zustand.

Kontrollieren Sie, ob bewegliche Teile falsch ausgerichtet sind oder klemmen und ob Teile gebrochen oder so beschädigt sind, daß die Funktion des Gerätes beeinträchtigt ist. Lassen Sie beschädigte Geräte vor dem Gebrauch reparieren.

Viele Unfälle haben ihre Ursache in schlecht gewarteten Geräten.

f. Halten Sie Schneidgeräte scharf und sauber.

Sorgfältig gepflegte Schneidgeräte mit scharfen Schneidkanten verklemmen sich weniger und sind leichter zu führen.

g. Verwenden Sie Gerät, Zubehör, Einsatz-Bits, usw. entsprechend diesen Anweisungen und so, wie es für diesen speziellen Gerättyp vorgeschrieben ist. Berücksichtigen Sie dabei die Arbeitsbedingungen und die auszuführende Arbeit.

Der Gebrauch von Geräten für andere als die vorgesehenen Anwendungen kann zu gefährlichen Situationen führen.

5. Gebrauch und Pflege von Akku-Geräten

a. Stellen Sie sicher, daß das Gerät ausgeschaltet ist, bevor Sie den Akku einsetzen.

Das Einsetzen eines Akkus in ein eingeschaltetes Gerät kann zu Unfällen führen.

b. Laden Sie die Akkus nur in Ladegeräten auf, die vom Hersteller angegeben wurden.

Für ein Ladegerät, das nur für eine bestimmte Akkuart geeignet ist, besteht Brandgefahr, wenn es mit anderen Akkus verwendet wird.

c. Verwenden Sie nur die für die Geräte vorgesehenen Akkus.

Der Gebrauch von anderen Akkus kann zu Verletzungen und Brandgefahr führen.

d. Halten Sie den nicht benutzten Akku fern von Büroklammern, Münzen, Schlüsseln, Nägeln, Schrauben oder anderen kleinen Metallgegenständen, die eine Überbrückung der Kontakte verursachen könnten.

Ein Kurzschluss zwischen den Akkukontakten kann Verbrennungen oder Feuer zur Folge haben.

e. Bei falscher Anwendung kann Flüssigkeit aus dem Akku austreten. Vermeiden Sie den Kontakt damit. Bei unbeabsichtigtem Kontakt mit Wasser abspülen. Gelangt die Flüssigkeit in die Augen, ziehen Sie außerdem ärztliche Hilfe hinzu.

Austretende Akkufflüssigkeit kann zu Hautreizungen oder Verbrennungen führen.

6. Service

a. Lassen Sie Ihr Gerät nur von qualifiziertem Fachpersonal und nur mit Original-Ersatzteilen reparieren.

Damit wird gewährleistet, daß die Sicherheit des Gerätes erhalten bleibt.

Zusätzliche Sicherheitsanweisungen für Schlagbohrer

- ◆ **Tragen Sie bei Schlagbohrmaschinen einen Gehörschutz.** Lärm kann Gehörschäden verursachen.
- ◆ **Verwenden Sie die im Lieferumfang des Werkzeugs enthaltenen Zusatzhandgriffe.** Ein Kontrollverlust kann Personenverletzungen verursachen.

Zusätzliche Sicherheitshinweise für Bohrschrauber

- ◆ **Halten Sie das Gerät an den isolierten Griffflächen, wenn Arbeiten durchgeführt werden, bei denen das Schneidewerkzeug versteckte Leitungen oder die eigene Anschlußleitung berühren könnte.** Ein Kontakt mit einer spannungsführenden Leitung setzt die freiliegenden Metallteile des Geräts unter Spannung und der Benutzer erleidet einen Stromschlag.
- ◆ **Verwenden Sie Zwingen oder ähnliche Mittel, um das Werkstück auf einer stabilen Plattform zu halten und zu sichern.** Falls das Werkstück mit der Hand oder gegen den Körper gehalten wird, bleibt es instabil und Sie können die Kontrolle verlieren.
- ◆ Informieren Sie sich vor dem Bohren in Wände, Böden und Decken über den genauen Verlauf von Leitungen und Rohren.
- ◆ Vermeiden Sie eine Berührung der Spitze eines Bohrers kurz nach dem Bohren, da sie heiß sein kann.

Zusätzliche Sicherheitsanweisungen für Akkus und Ladegeräte

Akkus

- ◆ Versuchen Sie auf keinen Fall, einen Akku zu öffnen.
- ◆ Setzen Sie den Akku keiner Feuchtigkeit aus.
- ◆ Nicht an einem Ort aufbewahren, wo die Temperatur 40 °C überschreiten kann.
- ◆ Nur bei Umgebungstemperaturen zwischen 10 °C und 40 °C aufladen.
- ◆ Laden Sie den Akku nur mit dem im Lieferumfang enthaltenen Ladegerät.
- ◆ Befolgen Sie bei der Entsorgung von Akkus die Anweisungen im Abschnitt "Umweltschutz".

Ladegeräte

- ◆ Verwenden Sie Ihr Black & Decker Ladegerät nur zum Laden von Akkus des im Lieferumfang enthaltenen Typs. Andere Akkus könnten platzen und Sach- und Personenschäden verursachen.
- ◆ Versuchen Sie nie, nicht aufladbare Batterien zu laden.
- ◆ Lassen Sie beschädigte Leitungen sofort austauschen.
- ◆ Setzen Sie das Ladegerät niemals Feuchtigkeit aus.
- ◆ Öffnen Sie das Ladegerät nicht.
- ◆ Fassen Sie nicht mit den Fingern oder irgendwelchen Gegenständen in das Ladegerät.



Das Ladegerät ist ausschließlich für den Gebrauch in geschlossenen Räumen vorgesehen.



Lesen Sie vor dem Gebrauch sorgfältig die Bedienungsanleitung.



Ausfallsicherer Trenntransformator.
Die Netzspannungsversorgung ist vom Transformatorausgang elektrisch getrennt.



Das Ladegerät schaltet automatisch ab, wenn die Umgebungstemperatur zu hoch wird. Danach ist das Ladegerät außer Funktion. Das Gerät muß vom Netz getrennt und zur Reparatur zu einem autorisierten Servicecenter gebracht werden.

Elektrische Sicherheit



Ihr Ladegerät ist doppelt isoliert; eine Erdleitung ist somit nicht erforderlich. Überprüfen Sie, ob die Netzspannung der auf dem Typenschild des Ladegerätes angegebenen Spannung entspricht. Tauschen Sie das Ladegerät auf keinen Fall gegen einen Netzstecker aus.

- ◆ Dieses Gerät darf ohne Aufsicht nicht von jungen oder schwachen Personen verwendet werden. Kinder müssen beaufsichtigt werden, um sicherzustellen, daß sie nicht mit dem Gerät spielen.
- ◆ Falls das Netzkabel beschädigt ist, so ist es vom Hersteller oder einem autorisierten Black & Decker Service Center auszutauschen, um Gefahren vorzubeugen.

Übersicht

1. Rechts-/Linkslaufschalter
2. Bit-Haltemanschette

Abb. A

3. Anschlußbuchse für Ladegerät
4. Ladegerät
5. Ladegerätsstecker

Montage

Anbringen und Entfernen eines Bohrer-Bits, eines Steckschlüssel-Bits oder eines Schraubendreher-Bits (Abb. B)

Dieses Gerät ist für Steckschlüssel-Bits, Schraubendreher-Bits und Bohrer-Bits mit einem 6,35 mm-Sechskantschaft (1/4") geeignet.

- ◆ Ziehen Sie die Bit-Haltemanschette (2) zurück.
- ◆ Stecken Sie den Schaft (6) des Bits in den Bit-Halter.
- ◆ Lassen Sie die Bit-Haltemanschette los.

Gebrauch

Laden des Akkus (Abb. A)

Der Akku ist zu laden, bevor Sie das Akku-Gerät zum ersten Mal benutzen sowie wenn die Leistung des Akku-Geräts spürbar nachläßt. Wenn der Akku zum ersten Mal oder nach längerer Lagerung geladen wird, wird er nur 80% der Nennkapazität erreichen. Erst nach mehreren Lade- und Entladezyklen wird der Akku die volle Kapazität erreichen. Während des Ladens kann sich der Akku erwärmen. Dies deutet nicht auf irgendein Problem hin.

Achtung! Laden Sie den Akku nicht bei einer Umgebungstemperatur unter 4 °C oder über 40 °C. Empfohlene Ladetemperatur: zirka 24 °C.

- ◆ Um den Akku aufzuladen, verbinden Sie den Stecker (5) des Ladegerätes mit der Buchse (3). Vergewissern Sie sich, daß sich der Kopf in der geraden Position befindet.
- ◆ Stecken Sie das Ladegerät (4) in die Steckdose.
- ◆ Lassen Sie das Gerät 6-8 Stunden am Ladegerät angeschlossen.

Während des Ladevorgangs kann der Akku brummen und sich erwärmen. Dies ist normal und deutet nicht auf irgendein Problem hin.

Im Allgemeinen ist das Gerät bei einer Ladezeit von 6 Stunden für die meisten Aufgaben wieder mit ausreichender Leistung einsetzbar. Je nach Zustand des Akkus und den Ladebedingungen kann eine weitere Ladezeit von bis zu 8 Stunden die Einsatzzeit jedoch beträchtlich erhöhen.

- ◆ Vor der Verwendung des Geräts ziehen Sie das Ladegerät aus der Steckdose, und trennen Sie das Gerät vom Ladegerät.

Achtung! Verwenden Sie das Gerät nicht, während es am Ladegerät angeschlossen ist.

Bohren/Schrauben (Abb. C)

Zum Bohren sowie zum Eindrehen von Schrauben verwenden Sie den Rechtslauf (im Uhrzeigersinn). Zum Lösen von Schrauben sowie zum Lösen eines festsitzenden Bohrers verwenden Sie den Linkslauf (gegen den Uhrzeigersinn).

- ◆ Um das Gerät im Rechtslauf einzuschalten, drücken Sie auf den oberen Knopf am Rechts-/Linkslauf-Umschalter (1).
- ◆ Um das Gerät im Linkslauf einzuschalten, drücken Sie auf den unteren Knopf am Rechts-/Linkslauf-Umschalter (1).
- ◆ Um das Gerät auszuschalten, lassen Sie den Schalter los.

Hinweise für optimale Arbeitsergebnisse

Bohren

- ◆ Üben Sie immer einen leichten Druck in Richtung der Bohrspitze aus.
- ◆ Sobald Sie spüren, daß das Werkstück fast durchbohrt ist, reduzieren Sie schrittweise den Druck auf die Bohrspitze, bis der Bohrvorgang beendet ist.
- ◆ Beim Bohren in Materialien, die leicht splintern oder ausreißen, sollten Sie einen Holzklötzchen hinter Ihr Werkstück legen.
- ◆ Verwenden Sie zum Bohren in Metall HSS-Bohrer.
- ◆ Verwenden Sie beim Bohren in andere Metalle als Gußeisen und Messing ein Schmiermittel.
- ◆ Markieren Sie die Bohrstelle mit Hilfe eines Bohrkörners, um ein positionsgenaueres Bohren zu gewährleisten.

Schrauben

- ◆ Verwenden Sie immer ein Schraubendreher-Bit des richtigen Typs und in der richtigen Größe.
- ◆ Falls sich Schrauben schwer eindrehen lassen, tragen Sie etwas Spülmittel oder Seife als Schmiermittel an der Schraube auf.
- ◆ Halten Sie das Gerät und das Schraubendreher-Bit immer in einer geraden Linie mit der Schraube.

- ◆ Beim Einschrauben in Holz wird empfohlen, eine Vorbohrung mit einer Tiefe entsprechend der Länge der Schraube herzustellen. Durch eine Vorbohrung wird die Schraube geführt und ein Spalten oder Verformen des Holzes verhindert. Die optimale Größe der Vorbohrung geht aus nachfolgender Tabelle hervor.
- ◆ Beim Schrauben in Hartholz müssen Sie ebenfalls ein Durchgangsloch mit einer Tiefe entsprechend der Hälfte der Schraubenlänge herstellen. Die optimale Größe des Durchgangslochs geht aus nachfolgender Tabelle hervor.

Schraubengröße	Durchmesser der Vorbohrung (Weichholz)	Durchmesser der Vorbohrung (Hartholz)	Durchgangsloch
Nr. 6 (3,5 mm)	2,0 mm	2,5 mm	3,6 mm
Nr. 8 (4 mm)	2,5 mm	3,0 mm	4,5 mm
Nr. 10 (5 mm)	3,0 mm	3,5 mm	5,0 mm
Nr. 12 (5,5 mm)	3,5 mm	4,0 mm	5,5 mm

Hinweis: Rastet der Schlagmechanismus ein, so ist ein einrastendes Geräusch zu hören. Dies ist normal und kein Anzeichen für einen Fehler.

Zubehör

Die Leistung Ihres Geräts hängt vom verwendeten Zubehör ab. Black & Decker und Piranha Zubehör ist nach hohen Qualitätsnormen gefertigt und dafür ausgelegt, die Leistung Ihres Geräts zu steigern. Durch Verwendung dieses Zubehörs erzielen Sie die größtmögliche Leistung Ihres Geräts.

Dieses Gerät ist für Steckschlüssel-Bits, Schraubendreher-Bits und Bohrer-Bits mit einem 6,35 mm-Sechskantschaft (1/4") geeignet. Piranha Super-Iok-Zubehör ist für den Gebrauch mit diesem Gerät konstruiert.

Achtung! Verwenden Sie ausschließlich speziell für Ihr Schlagwerkzeug geeignetes Zubehör. Schraubendreher-Bits, die kürzer als 50 mm sind, sind für den Gebrauch mit diesem Gerät nicht geeignet.

Wartung

Ihr Black & Decker Gerät wurde im Hinblick auf eine lange Lebensdauer und einen möglichst geringen Wartungsaufwand entwickelt. Ein dauerhafter, einwandfreier Betrieb setzt eine regelmäßige Pflege und Reinigung voraus.

Ihr Ladegerät bedarf keinerlei Wartung außer einer regelmäßigen Reinigung.

Achtung! Ziehen Sie den Netzstecker des Ladegeräts aus der Steckdose, bevor Sie es reinigen.

- ◆ Reinigen Sie regelmäßig die Lüftungsschlitze im Gerät und Ladegerät mit Hilfe einer weichen Bürste oder eines trockenen Tuches.
- ◆ Reinigen Sie regelmäßig das Motorgehäuse mit Hilfe eines feuchten Tuches. Verwenden Sie keine scheuernden Reinigungsmittel oder Reinigungsmittel auf Lösungsmittelbasis.

Umweltschutz



Getrennte Entsorgung. Dieses Produkt darf nicht über den normalen Hausmüll entsorgt werden.

Sollte Ihr Black & Decker Produkt eines Tages erneuert werden müssen, oder falls Sie es nicht weiter verwenden wollen, so darf es nicht über den Hausmüll entsorgt werden. Stellen Sie dieses Produkt zur getrennten Entsorgung bereit.



Durch die getrennte Entsorgung gebrauchter Produkte und Verpackungen können die Materialien recycelt und wiederverwertet werden. Die Wiederverwertung recycelter Materialien schont die Umwelt und verringert die Nachfrage nach Rohstoffen.

Die regionalen Bestimmungen schreiben unter Umständen die getrennte Entsorgung elektrischer Produkte aus dem Haushalt an Sammelstellen oder seitens des Händlers vor, bei dem Sie das neue Produkt erworben haben.

Black & Decker nimmt Ihre ausgedienten Black & Decker Geräte gern zurück und sorgt für eine umweltfreundliche Entsorgung und Wiederverwertung. Um diesen Dienst zu nutzen, schicken Sie bitte Ihr Produkt zu einer Vertragswerkstatt. Hier wird es dann auf unsere Kosten gesammelt.

Die Adresse der zuständigen Black & Decker Vertretung steht in diesem Handbuch, darüber läßt sich die nächstgelegene Vertragswerkstatt ermitteln. Außerdem ist eine Liste der Vertragswerkstätten und aller Kundendienststellen von Black & Decker sowie der zuständigen Ansprechpartner im Internet zu finden unter: **www.2helpU.com**

Akkus



Black & Decker Akkus lassen sich viele Male wiederaufladen. Entsorgen Sie eine leere Batterie am Ende ihrer Lebensdauer auf umweltgerechte Weise:

- ◆ Entladen Sie die Batterie vollständig, und entfernen Sie sie anschließend aus dem Werkzeug.
- ◆ NiCd- und NiMH-Akkus sind wiederverwertbar. Bringen Sie sie zu einer Vertragswerkstatt oder einer Recycling-Station in Ihrer Nähe.

Technische Daten

	XTC60K
Spannung	V_{DC} 6
Leerlaufdrehzahl	min^{-1} 2.100
Leerlaufschlagzahl	min^{-1} 5.600
Max. Drehmoment	Nm 35
Bit-Halter	1/4" (6,35 mm Sechskant)
Max. Bohrkapazität	mm 6
Gewicht	kg 0,9

Ladegerät

Netzspannung	V_{AC} 230
Ladezeit (zirka)	Std. 6-8
Gewicht	kg 0,2

EG-Konformitätserklärung

XTC60K

Black & Decker erklärt, daß diese Produkte folgende Konformität erfüllen:

98/37/EG, 89/336/EWG, 73/23/EWG, EN 60745, EN 60335, EN 55014, EN 61000

L_{pA} (Schalldruck) 73,7 dB(A), L_{WA} (Schalleistung) 84,7 dB(A), gewichtete Hand-/Armvibrationen 1,72 m/s^2

K_{pA} (Schalldruck-Unsicherheitsfaktor) 3 dB(A),
 K_{WA} (Schalleistungs-Unsicherheitsfaktor) 3 dB(A)

Kevin Hewitt
Director of Consumer Engineering
Spennymoor, County Durham DL16 6JG,
Vereinigtes Königreich

1-7-2006

Garantie

Black & Decker vertraut auf die Qualität der eigenen Werkzeuge und bietet dem Käufer eine außergewöhnliche Garantie. Diese Garantiezusage versteht sich unbeschadet der gesetzlichen Gewährleistungsansprüche und schränkt diese keinesfalls ein. Sie gilt in sämtlichen Mitgliedsstaaten der Europäischen Union und der Europäischen Freihandelszone EFTA.



Falls sich ein Black & Decker XT Produkt (hierzu zählen nicht: Zubehör, Vorsatzgeräte, Batterien, Ladegeräte und Spannfutter) aufgrund von Materialfehlern, der Verarbeitung oder nicht konformer Ausführung innerhalb von 3 Jahren ab dem Kaufdatum als fehlerhaft herausstellt, so garantiert Black & Decker, sämtliche defekten Teile zu erneuern, Produkte, die normalem Verschleiß ausgesetzt waren, zu reparieren oder solche Produkte zu erneuern, vorausgesetzt, daß das Produkt innerhalb von 90 Tagen ab Kaufdatum auf der Black & Decker XT Garantie-Webseite registriert wurde. Wird das Produkt nicht registriert, so gilt nur die Standardgarantie (2 Jahre).

Die Garantie erlischt, falls:

- ◆ das Werkzeug gewerblich, beruflich oder im Verleihgeschäft benutzt wurde;
- ◆ das Werkzeug mißbräuchlich verwendet oder mit mangelnder Sorgfalt behandelt wurde;
- ◆ das Werkzeug durch irgendwelche Fremdeinwirkung beschädigt wurde;
- ◆ Reparaturen von hierzu unberechtigten Personen durchgeführt wurden;
- ◆ das Produkt dahingehend verändert wurde, daß die ursprünglichen Spezifikationen nicht mehr gültig sind;
- ◆ ungeeignetes Zubehör oder ungeeignete Vorsatzgeräte verwendet wurden.

Die verlängerte Garantie erlischt, falls:

- ◆ Kaufbeleg und Original-Garantie-zertifikat für die verlängerte Garantie nicht vorgelegt werden.

Lassen Sie Ihr Produkt jetzt online registrieren unter www.blackanddecker.de/xt, um die verlängerte Garantie (3 Jahre) in Anspruch nehmen zu können und um über neue Produkte und Sonderangebote auf dem Laufenden gehalten zu werden.

Zur Inanspruchnahme dieser Garantie ist dem Verkäufer bzw. der Vertragswerkstatt ein Kaufnachweis vorzulegen. Die Adresse der zuständigen Black & Decker Vertretung steht in diesem Handbuch, darüber läßt sich die nächstgelegene Vertragswerkstatt ermitteln. Außerdem ist eine Liste der Vertragswerkstätten und aller Kundendienststellen von Black & Decker sowie der zuständigen Ansprechpartner im Internet zu finden unter:

www.2helpU.com

Weitere Informationen über die Marke Black & Decker und unsere Produkte finden Sie unter folgender Adresse:

www.blackanddecker.de

Utilisation prévue

Votre tournevis à percussion Black & Decker a été conçu pour la pose de vis et le perçage d'orifices de guidage dans le bois, le métal et les matières plastiques.

Cet outil a été conçu pour une utilisation exclusivement domestique.

Votre chargeur Black & Decker a été conçu pour recharger la batterie de l'outil avec lequel il vous a été fourni.

Consignes générales de sécurité

Attention ! Lisez toutes les instructions. Le non-respect des instructions indiquées ci-dessous peut entraîner une électrocution, un incendie et/ou de graves blessures. La notion d'« outil électroportatif » mentionnée par la suite se rapporte à des outils électriques raccordés au secteur (avec câble de raccordement) ou fonctionnant sur batteries (sans fil).

GARDEZ PRÉCIEUSEMENT CES CONSIGNES DE SECURITE.

1. Zone de travail

a. Maintenez la zone de travail propre et bien éclairée.

Un lieu de travail en désordre ou mal éclairé augmente le risque d'accidents.

b. N'utilisez pas les outils électroportatifs dans un environnement présentant des risques d'explosion ni en présence de liquides, gaz ou poussières inflammables.

Les outils électroportatifs génèrent des étincelles risquant d'enflammer les poussières ou les vapeurs.

c. Tenez les enfants et autres personnes éloignés durant l'utilisation de l'outil électroportatif.

En cas d'inattention, vous risquez de perdre le contrôle sur l'outil.

2. Sécurité électrique

a. La fiche de secteur de l'outil électroportatif doit convenir à la prise de courant. Ne modifiez en aucun cas la fiche. N'utilisez pas de fiches d'adaptateur avec des outils ayant une prise de terre.

Les fiches non modifiées et les prises de courant appropriées réduisent le risque de choc électrique.

b. Evitez le contact physique avec des surfaces mises à la terre telles que tuyaux, radiateurs, fours et réfrigérateurs.

Il y a un risque élevé de choc électrique si votre corps est relié à la terre.

c. N'exposez pas l'outil électroportatif à la pluie ni à l'humidité.

La pénétration d'eau dans un outil électroportatif augmente le risque de choc électrique.

d. Préservez le câble d'alimentation. N'utilisez pas le câble à d'autres fins que celles prévues, notamment pour porter l'outil, l'accrocher voire le débrancher de la prise de courant. Maintenez le câble éloigné des sources de chaleur, des parties grasses, des bords tranchants ou des parties de l'outil en rotation.

Un câble endommagé ou enchevêtré augmente le risque de choc électrique.

e. Si vous utilisez l'outil électroportatif à l'extérieur, utilisez une rallonge homologuée pour utilisation à l'air libre.

L'utilisation d'une rallonge électrique homologuée pour les applications extérieures réduit le risque de choc électrique.

3. Sécurité personnelle

a. Restez vigilant, surveillez ce que vous faites.

Faites preuve de bon sens quand vous utilisez l'outil électroportatif. N'utilisez pas l'outil lorsque vous êtes fatigué ou après avoir consommé de l'alcool, des drogues ou avoir pris des médicaments.

Un moment d'inattention lors de l'utilisation de l'outil peut entraîner de graves blessures.

b. Portez des équipements de protection.

Portez toujours des lunettes de protection.

Le port d'équipements de protection personnelle tels que masque anti-poussières, chaussures de sécurité antidérapantes, casque ou protection auditive, selon le travail à effectuer, réduit le risque de blessures.

c. Evitez une mise en route accidentelle. Avant de brancher l'outil, vérifiez que l'interrupteur est sur la position arrêt.

Le transport ou le branchement d'outils électroportatifs avec l'interrupteur en position marche est une invite à l'accident.

d. Enlevez tout outil ou clé de réglage avant de mettre l'appareil en marche.

Une clé ou un outil se trouvant sur une partie en rotation peut causer des blessures.

e. Ne surestimez pas vos capacités. Conservez en permanence votre équilibre et les deux pieds à terre.

Vous contrôlerez mieux l'outil dans des situations inattendues.

f. Portez des vêtements appropriés. Ne portez pas de vêtements amples ni de bijoux. N'approchez pas les cheveux, vêtements ou gants des parties de l'appareil en rotation.

Les vêtements amples, les bijoux ou les cheveux longs peuvent être attrapés dans les pièces en mouvement.

- g. Si des dispositifs servant à aspirer ou à recueillir les poussières doivent être utilisés, vérifiez qu'ils sont correctement raccordés et utilisés.**

L'utilisation de tels dispositifs réduit les dangers dus aux poussières.

- 4. Utilisation des outils électroportatifs et précautions**
a. Ne surchargez pas l'appareil. Utilisez l'outil électroportatif approprié pour le travail à effectuer.

Avec l'outil électroportatif approprié, vous travaillerez mieux et avec plus de sécurité à la vitesse pour laquelle il a été conçu.

- b. N'utilisez pas un outil électroportatif dont l'interrupteur est défectueux.**

Un outil électroportatif qui ne peut plus être mis en ou hors fonctionnement est dangereux et doit être réparé.

- c. Retirez la fiche de la prise de courant avant d'effectuer des réglages sur l'appareil, de changer les accessoires ou de ranger l'outil.**

Cette mesure de précaution empêche une mise en marche par mégarde.

- d. Rangez les outils électroportatifs hors de portée des enfants. Ne laissez pas les personnes n'étant pas familiarisées avec l'outil ou n'ayant pas lu ces instructions l'utiliser.**

Les outils électroportatifs sont dangereux lorsqu'ils sont utilisés par des personnes non initiées.

- e. Prenez soin des outils électroportatifs. Vérifiez que les parties en mouvement fonctionnent correctement et qu'elles ne sont pas coincées ; vérifiez qu'il n'y a pas de pièces cassées ou endommagées susceptibles de nuire au bon fonctionnement de l'outil. S'il est endommagé, faites réparer l'outil avant de l'utiliser.**

De nombreux accidents sont dus à des outils électroportatifs mal entretenus.

- f. Maintenez les outils de coupe aiguisés et propres.**

Des outils soigneusement entretenus avec des bords tranchants bien aiguisés se coincent moins souvent et peuvent être guidés plus facilement.

- g. Utilisez les outils électroportatifs, les accessoires, les outils à monter etc. conformément à ces instructions et aux prescriptions en vigueur pour ce type d'outils. Tenez compte également des conditions de travail et du travail à effectuer.**

L'utilisation des outils électroportatifs à d'autres fins que celles prévues peut entraîner des situations dangereuses.

- 5. Utilisation des outils à batterie et précautions**

- a. Assurez-vous que l'interrupteur est effectivement en position d'arrêt avant d'insérer la batterie.**

L'introduction de la batterie dans l'outil alors que son interrupteur est sur la position marche est susceptible de provoquer un accident.

- b. Ne rechargez la batterie qu'avec le chargeur spécifié par le fabricant.**

Un chargeur prévu pour un type de batterie présente un risque d'incendie s'il est utilisé avec un autre type de batterie.

- c. N'utilisez les outils électroportatifs qu'avec les batteries spécifiquement conçues pour eux.**

L'utilisation d'autres batteries peut comporter un risque de blessures ou d'incendie.

- d. Quand vous ne l'utilisez pas, rangez la batterie loin d'autres objets métalliques tels que trombones, pièces, clous, vis ou autres pouvant créer une connexion entre deux bornes.**

Court-circuiter les bornes de la batterie peut provoquer des brûlures ou un incendie.

- e. Dans des conditions inappropriées, la batterie peut rejeter du liquide. Évitez le contact. Si un contact accidentel se produit, rincez à l'eau. Si le liquide touche les yeux, consultez un médecin.**

Le liquide rejeté par la batterie peut causer une irritation cutanée ou des brûlures.

- 6. Réparations**

- a. Faites réparer votre outil électroportatif uniquement par du personnel qualifié et seulement avec des pièces de rechange d'origine.**

Cela garantira le maintien de la sécurité de votre outil.

Instructions de sécurité supplémentaires pour les perceuses à percussion

- ◆ **Portez une protection auditive avec les perceuses à percussion.** L'exposition au bruit peut causer des pertes de l'audition.
- ◆ **Utilisez les poignées additionnelles fournies avec l'outil.** Une perte de contrôle peut provoquer des blessures.

Instructions de sécurité supplémentaires pour perceuses / visseuses

- ◆ **Tenez l'outil uniquement par les surfaces isolées des poignées si l'opération effectuée peut mettre la lame en contact avec des câbles électriques cachés ou son propre cordon électrique.** Le contact avec un câble sous tension met les parties métalliques de l'outil sous tension et peut provoquer une électrocution de l'utilisateur.

- ◆ **Utilisez des fixations ou tout autre moyen pratique pour fixer et soutenir la pièce à ouvrir sur une plate-forme stable.** Si vous tenez la pièce à la main ou contre votre corps, elle est instable et vous pouvez en perdre le contrôle.
- ◆ Avant de percer les murs, les planchers ou les plafonds, vérifiez l'emplacement des fils électriques et des tuyaux.
- ◆ Evitez de toucher l'extrémité d'un foret juste après avoir percé car il peut être chaud.

Instructions de sécurité supplémentaires pour les batteries et chargeurs

Batteries

- ◆ Ne tentez jamais d'ouvrir pour quelque raison que ce soit.
- ◆ N'exposez pas la batterie à l'humidité.
- ◆ Ne stockez pas dans des endroits où la température peut dépasser 40 °C.
- ◆ Chargez uniquement à température ambiante, entre 10 °C et 40 °C.
- ◆ Chargez uniquement en utilisant le chargeur fourni avec l'outil.
- ◆ Lorsque vous jetez des batteries, suivez les instructions données à la section « Protection de l'environnement ».

Chargeurs

- ◆ Utilisez uniquement votre chargeur Black & Decker pour charger les batteries fournies avec votre outil ou de même type et modèle. D'autres batteries pourraient exploser et causer des dommages ou blessures.
- ◆ Ne tentez jamais de charger des batteries non-rechargeables.
- ◆ Remplacez immédiatement les fils électriques défectueux.
- ◆ Ne mettez pas le chargeur en contact avec de l'eau.
- ◆ N'ouvrez pas le chargeur.
- ◆ Ne testez pas le chargeur.



Le chargeur a été conçu pour être utilisé uniquement à l'intérieur.



Lisez le manuel d'instruction avant utilisation.



Transformateur à sécurité intrinsèque.
L'alimentation secteur est électriquement séparée de la sortie du transformateur.



Le chargeur s'arrête automatiquement si la température ambiante est trop élevée.
Par conséquent, le chargeur devient inutilisable.
L'unité doit être débranchée du secteur puis apportée à un centre d'entretien agréé pour réparation.

Sécurité électrique



Ce chargeur a une double isolation; un branchement à la terre n'est donc pas nécessaire. Vérifiez si la tension du chargeur correspond à la tension secteur. Ne tentez jamais de remplacer le chargeur par une prise au secteur normale.

- ◆ Cet appareil n'est pas destiné à être utilisé par des jeunes ou des personnes infirmes sans supervision. Les enfants ne doivent pas jouer avec l'appareil.
- ◆ Si le câble d'alimentation est endommagé, il doit être remplacé par le fabricant ou par un centre de réparation agréé Black & Decker afin d'éviter tout accident.

Généralités

1. Sélecteur de rotation gauche/droite
2. Support de foret

Fig. A

3. Connecteur pour chargeur
4. Chargeur
5. Prise de chargeur

Montage

Installation et retrait d'un foret de perçage et de vissage ou d'une douille de foret (fig. B)

Cet outil utilise des douilles de foret et des forets de vissage et de perçage avec une queue hexagonale de 1/4" (6,35 mm).

- ◆ Tirez le manchon du support de mèche (2)
- ◆ Insérez la tige du foret (6) dans le support de mèche.
- ◆ Dévissez le manchon du support de foret.

Utilisation

Chargement de la batterie (fig. A)

La batterie a besoin d'être chargée avant la première utilisation et à chaque fois qu'elle ne produit pas une puissance suffisante pour des travaux facilement effectués auparavant. Lorsque vous chargez la batterie pour la première fois ou suite à une inutilisation prolongée, le chargement ne se fera qu'à 80%. Après plusieurs cycles de chargement et de déchargement, la batterie atteindra sa capacité totale. La batterie peut chauffer pendant le chargement ; cela est normal et n'indique pas de problème particulier.

Attention ! Ne chargez pas la batterie à une température ambiante inférieure à 4 °C ou supérieure à 40 °C.
Température de chargement recommandée : environ 24 °C.

- ◆ Pour recharger la batterie, insérez la prise de charge (5) dans le connecteur (3). Assurez-vous que la tête de l'appareil est bien en position verticale.
- ◆ Branchez le chargeur (4).
- ◆ Laissez l'outil branché sur le chargeur pendant 6-8 heures.

Le chargeur peut siffler et chauffer pendant le chargement ; c'est normal et n'indique pas de problème particulier.

Généralement une charge de l'outil pendant 6 heures lui permet de fonctionner à un niveau de puissance adapté à la plupart des travaux. Toutefois, un temps de charge de 8 heures peut accroître considérablement la durée d'utilisation, en fonction de la batterie et des conditions de charge.

- ◆ Avant d'utiliser l'outil, débranchez le chargeur et déconnectez l'outil du chargeur.

Attention ! Veillez à ne pas utiliser l'outil lorsqu'il est branché au chargeur.

Perçage / vissage (fig. C)

Pour le perçage et le serrage des vis, utilisez la rotation vers l'avant (dans le sens horaire). Pour desserrer les vis ou enlever un foret de perçage coincé, utilisez la rotation vers l'arrière (dans le sens anti-horaire).

- ◆ Pour enclencher l'outil en rotation avant, appuyez sur le bouton supérieur de l'interrupteur de marche avant/arrière (1).
- ◆ Pour allumer l'outil en rotation arrière, appuyez sur le bouton inférieur de l'interrupteur de marche avant/arrière (1).
- ◆ Relâchez l'interrupteur pour mettre l'outil hors fonction.

Conseils pour une utilisation optimale

Perçage

- ◆ Appliquez toujours une pression légère en ligne droite avec le foret de perçage.
- ◆ Juste avant que le foret de perçage ne passe de l'autre côté de la pièce, diminuez la pression sur l'outil.
- ◆ Utilisez un bloc de bois pour protéger les pièces pouvant se briser.
- ◆ Utilisez des forets de perçage HSS lorsque vous percez du métal.
- ◆ Utilisez un lubrifiant lorsque vous percez des métaux autres que la fonte et le laiton.
- ◆ Faites une entaille à l'aide d'une contrepointe de centrage au centre de l'orifice à percer afin d'améliorer la précision

Vissage

- ◆ Utilisez toujours le bon type et la bonne taille d'embout de tournevis.
- ◆ Si les vis sont difficiles à serrer, essayez d'appliquer un petit peu de liquide vaisselle ou de savon comme lubrifiant.

- ◆ Tenez toujours l'outil et l'embout de tournevis en ligne droite par rapport à la vis.
- ◆ Lorsque vous vissez dans du bois, nous vous conseillons de percer un orifice de guidage d'une profondeur égale à la longueur de la vis. Un orifice de guidage permet de guider la vis et l'empêche de faire éclater ou de tordre le bois. Vous trouverez dans le tableau ci-dessous des conseils pour bien déterminer la taille idéale de l'orifice de guidage à percer.
- ◆ Lorsque vous devez visser dans un bois dur, percez aussi un orifice de passage d'une profondeur égale à la moitié de la longueur de la vis. Vous trouverez dans le tableau ci-dessous des conseils pour bien déterminer la taille idéale de l'orifice de passage à percer.

Taille de la vis	Orifice de guidage \varnothing (bois tendre)	Orifice de guidage \varnothing (bois dur)	Orifice de passage
No. 6 (3,5 mm)	2,0 mm	2,5 mm	3,6 mm
No. 8 (4 mm)	2,5 mm	3,0 mm	4,5 mm
No. 10 (5 mm)	3,0 mm	3,5 mm	5,0 mm
No. 12 (5,5 mm)	3,5 mm	4,0 mm	5,5 mm

Remarque : lorsque le mécanisme de percussion s'enclenche, un son de cliquet est audible. C'est normal et n'indique pas une défaillance.

Accessoires

Les performances de votre outil dépendent de l'accessoire que vous utilisez. Les accessoires Black & Decker et Piranha sont conçus selon les normes de haute qualité pour améliorer les performances de votre outil. En utilisant ces accessoires, vous obtiendrez les meilleurs résultats de votre outil.

Cet outil utilise des douilles de foret et des forets de vissage et de perçage avec une queue hexagonale de 1/4" (6,35 mm). Les accessoires Piranha Super-lok sont conçus pour être utilisés avec cet outil.

Attention ! N'utilisez que les accessoires fournis avec votre outil. Les forets de vissage inférieurs à 50 mm ne sont pas adaptés à cet outil.

Entretien

Votre outil Black & Decker a été conçu pour fonctionner pendant longtemps avec un minimum d'entretien. Un fonctionnement continu satisfaisant dépend d'un nettoyage régulier et d'un entretien approprié de l'outil.

Votre chargeur ne nécessite aucun entretien autre qu'un nettoyage régulier.

Attention ! Débranchez le chargeur avant de le nettoyer.

- ◆ Nettoyez régulièrement les orifices de ventilation de votre outil et le chargeur à l'aide d'une brosse douce ou d'un chiffon sec.
- ◆ Nettoyez régulièrement le compartiment du moteur à l'aide d'un chiffon humide. N'utilisez pas de produit abrasif ou à base de solvant.

Protection de l'environnement



Collecte séparée. Ce produit ne doit pas être jeté avec les déchets domestiques normaux.

Si vous décidez de remplacer ce produit Black & Decker, ou si vous n'en avez plus l'utilité, ne le jetez pas avec vos déchets domestiques. Rendez-le disponible pour une collecte séparée.



La collecte séparée des produits et emballages usés permet le recyclage des articles afin de les utiliser à nouveau. Le fait d'utiliser à nouveau des produits recyclés permet d'éviter la pollution environnementale et de réduire la demande de matières premières.

Les réglementations locales peuvent permettre la collecte séparée des produits électriques du foyer, dans des déchetteries municipales ou auprès du revendeur vous ayant vendu votre nouveau produit.

Black & Decker fournit un dispositif permettant de collecter et de recycler les produits Black & Decker lorsqu'ils ont atteint la fin de leur cycle de vie. Pour pouvoir profiter de ce service, veuillez retourner votre produit à un réparateur agréé qui se chargera de le collecter pour nous.

Pour connaître l'adresse du réparateur agréé le plus proche de chez vous, contactez le bureau Black & Decker à l'adresse indiquée dans ce manuel. Vous pourrez aussi trouver une liste des réparateurs agréés de Black & Decker et de plus amples détails sur notre service après-vente sur le site Internet à l'adresse suivante : www.2helpU.com

Packs-batteries



Les batteries Black & Decker peuvent être rechargées de nombreuses fois. A la fin de leur durée de vie technique, jetez les batteries en respectant l'environnement :

- ◆ Videz complètement la batterie, puis retirez-la de l'outil.
- ◆ Les batteries NiCd et NiMH sont recyclables. Apportez-les à votre réparateur agréé ou à un centre de recyclage local.

Caractéristiques techniques

XTC60K	
Voltage	V_{DC} 6
Vitesse à vide	min^{-1} 2.100
Impact sans charge	min^{-1} 5.600
Couple max.	Nm 35
Porte-embout	1/4" (6,35 mm hex)
Capacité max. de perçage	mm 6
Poids	kg 0,9

Chargeur

Tension secteur	V_{AC} 230
Temps de chargement approx.	h 6-8
Poids	kg 0,2

Déclaration de conformité CE

XTC60K

Black & Decker déclare que ces produits sont conformes à :
98/37/CE, 89/336/CEE, 73/23/CEE, EN 60745, EN 60335,
EN 55014, EN 61000

L_{pA} (pression sonore) 73,7 dB(A), L_{WA} (puissance acoustique)
84,7 dB(A), poids de la vibration sur la main/bras 1,72 m/s^2

K_{pA} (incertitude de la pression acoustique) 3 dB(A),
 K_{WA} (incertitude de la puissance acoustique) 3 dB(A)

Kevin Hewitt
Directeur Ingénierie Client
Spennymoor, County Durham DL16 6JG,
Royaume Uni
1-7-2006

Garantie

Black & Decker est confiant dans la qualité de ses produits et vous offre une garantie très étendue. Ce certificat de garantie est un document supplémentaire et ne peut en aucun cas se substituer à vos droits légaux. La garantie est valable sur l'ensemble des territoires des États Membres de l'Union Européenne et de la Zone de Libre Echange Européenne.



Si un produit Black & Decker XT (sauf les accessoires, annexes, batteries, chargeurs et embouts) est défectueux en raison d'un défaut matériel, de main d'œuvre ou de conformité dans les 3 ans suivant son acquisition, Black & Decker garantie le remplacement des pièces défectueuses, répare tout produit sujet à une usure ou des dégâts normaux voire remplace le dit produit, dans la mesure où il est enregistré sur le site Internet de garantie Black & Decker XT dans les 90 jours suivant l'acquisition. Si le produit n'est pas enregistré, alors seule la garantie standard (2 ans) s'applique.

La garantie ne s'applique pas si :

- ◆ Le produit a été utilisé dans un but commercial, professionnel ou a été loué.
- ◆ Le produit a été mal utilisé ou avec négligence.
- ◆ Le produit a subi des dommages à cause d'objets étrangers, de substances ou à cause d'accidents.
- ◆ Une personne non qualifiée a tenté de réparer la machine,
- ◆ Le produit a subi une modification en regard de ses spécifications d'origine.
- ◆ Des accessoires ou annexes inappropriés ont été utilisés.

La garantie étendue ne s'applique pas si :

- ◆ Une preuve d'achat et le certificat de garantie étendue d'origine n'ont pas été produits.

Enregistrez dès à présent votre produit en ligne à www.blackanddecker.fr/xt afin de pouvoir bénéficier de la garantie étendue (3 ans) et recevoir des informations sur les nouveaux produits et les offres spéciales.

Pour avoir recours à la garantie, il est nécessaire de fournir une preuve d'achat au vendeur ou à un réparateur agréé. Pour connaître l'adresse du réparateur agréé le plus proche de chez vous, contactez le bureau Black & Decker à l'adresse indiquée dans ce manuel. Vous pourrez aussi trouver une liste des réparateurs agréés de Black & Decker et de plus amples détails sur notre service après-vente sur le site Internet à l'adresse suivante : **www.2helpU.com**

Pour plus d'informations concernant la marque Black & Decker et notre gamme de produits, consultez notre site **www.blackanddecker.fr**

Uso previsto

Il avvitatore a percussione Black & Decker è stato progettato per avvitare e svitare e per eseguire fori pilota in legno, metalli e plastica.

L'utensile è stato progettato per un uso individuale.

Il caricabatteria Black & Decker è stato progettato per caricare la batteria dell'elettrotensile con il quale viene fornito in corredo.

Norme generiche di sicurezza

Avvertenza: leggere tutte le istruzioni. La mancata osservazione delle presenti istruzioni potrebbe causare scosse elettriche, incendi e/o infortuni gravi. Il termine "elettrotensile" che ricorre in tutti le avvertenze seguenti si riferisce ad utensili elettrici con o senza filo.

CONSERVARE QUESTE ISTRUZIONI.

1. Area di lavoro

a. Mantenere pulita e bene illuminata l'area di lavoro.

Il disordine e la scarsa illuminazione possono causare incidenti.

b. Evitare d'impiegare gli elettrotensili in ambienti esposti al rischio di esplosione, ad esempio in presenza di liquidi, gas o polveri infiammabili.

Gli elettrotensili producono scintille che possono far infiammare la polvere o i fumi.

c. Mantenere lontani bambini ed astanti mentre si usa l'elettrotensile.

Eventuali distrazioni possono comportare la perdita del controllo dell'utensile.

2. Sicurezza elettrica

a. La spina elettrica deve essere adatta alla presa. Evitare assolutamente di alterare la spina.

Non impiegare spine adattatrici con utensili provvisti di messa a terra.

L'uso di spine inalterate e delle prese corrispondenti riduce il rischio di scosse elettriche.

b. Evitare il contatto fisico con superfici collegate a terra, come tubi, radiatori, forni e frigoriferi:

un corpo collegato a massa è esposto maggiormente al rischio di scosse elettriche.

c. Custodire gli elettrotensili al riparo dalla pioggia o dall'umidità.

L'eventuale infiltrazione di acqua in un elettrotensile va ad aumentare il rischio di scosse elettriche.

d. Non esporre il cavo a sollecitazioni. Non usare il cavo per trasportare o trainare l'utensile e non tirarlo per estrarre la spina dalla presa di corrente. Mantenere il cavo al riparo dal calore, da bordi taglienti e/o da parti in moto.

I cavi danneggiati o aggrovigliati aumentano il rischio di scosse elettriche.

e. Se l'elettrotensile viene adoperato all'aperto, usare esclusivamente prolunghe omologate per l'impiego all'esterno.

Un cavo adatto per uso esterno riduce il rischio di scosse elettriche.

3. Sicurezza delle persone

a. È importante concentrarsi su ciò che si sta facendo e maneggiare con giudizio l'elettrotensile.

Non adoperare l'utensile se si è stanchi o sotto l'effetto di stupefacenti, alcol o medicinali:

un attimo di distrazione può causare gravi infortuni personali.

b. Indossare sempre un equipaggiamento protettivo. Indossare sempre degli occhiali di sicurezza.

Se si avrà cura d'indossare l'equipaggiamento protettivo come necessario - ad esempio una maschera antipolvere, delle calzature antiscivolo, un casco o delle otoprotezioni - si riduce il rischio di infortuni.

c. Evitare l'accensione involontaria dell'utensile. Prima d'inserire la spina nella presa, controllare che l'interruttore sia su Off.

Per non esporsi al rischio d'incidenti, non trasportare gli elettrotensili tenendo le dita sull'interruttore oppure, se sono collegati all'alimentazione, con l'interruttore di accensione su On.

d. Prima di accendere un elettrotensile, togliere eventuali chiavi o attrezzi di regolazione.

Un utensile o una chiave inglese lasciati in un componente mobile dell'utensile potranno causare lesioni.

e. Non sporgersi. Mantenere sempre un buon equilibrio evitando posizioni malsicure.

In questo modo è possibile controllare meglio l'utensile in situazioni inaspettate.

f. Usare il vestiario appropriato. Evitare di indossare indumenti larghi o gioielli. Tenere capelli, vestiti e guanti lontani da pezzi in movimento.

Vestiti svolazzanti, gioielli o capelli lunghi potranno impigliarsi nei componenti in movimento.

g. Se gli utensili sono provvisti di attacchi per la connessione di dispositivi di aspirazione o raccolta della polvere, assicurarsi questi siano installati e utilizzati correttamente.

L'impiego dei suddetti dispositivi diminuisce i rischi correlati alle polveri.

4. Uso e cura degli elettrotensili

a. Non sovraccaricare l'utensile. Usare l'elettrotensile adatto per il lavoro da eseguire.

Utilizzando l'elettrotensile adatto si potrà lavorare meglio e con maggiore sicurezza alla potenza nominale prevista.

b. Non utilizzare elettrodomestici con interruttori difettosi.
Un elettrodomestico che non può essere controllato mediante l'interruttore è pericoloso e deve essere riparato.

c. Estrarre la spina dalla presa di corrente prima di regolare l'utensile, di sostituire degli accessori o di riporre l'utensile.
Queste precauzioni di sicurezza riducono le possibilità che l'utensile venga messo in funzione inavvertitamente.

d. Quando non vengono usati, gli elettrodomestici vanno custoditi fuori della portata dei bambini. Non consentire l'uso dell'apparecchio a persone inesperte o che non abbiano letto le presenti istruzioni,
onde evitare pericoli.

e. Sottoporre gli elettrodomestici alle procedure di manutenzione del caso. Verificare che le parti mobili siano bene allineate e non s'inceppino, che non ci siano componenti rotti e/o non sussistano altre condizioni che possano compromettere il funzionamento dell'utensile. Eventuali guasti vanno riparati prima dell'uso.

La scarsa manutenzione causa molti incidenti.

f. Mantenere affilati e puliti gli utensili da taglio.
Se sottoposti alla giusta manutenzione, gli utensili da taglio con taglienti affilati s'inceppano meno frequentemente e sono più facili da manovrare.

g. Utilizzare l'elettrodomestico, gli accessori, le punte ecc. in conformità delle presenti istruzioni e secondo la specifica destinazione prevista, tenendo conto delle condizioni di lavoro e del lavoro da completare.
L'impiego degli elettrodomestici per usi diversi da quelli consentiti può dar luogo a situazioni di pericolo.

5. Uso e cura degli utensili a batteria

a. Prima di inserire la batteria, assicurarsi che l'interruttore sia su Off.
Se la batteria viene inserita in un utensile con l'interruttore su On ci si espone al rischio d'incidenti.

b. Ricaricare la batteria esclusivamente con il caricabatteria specificato dal fabbricante.
Un caricabatteria adatto per un tipo di batteria può esporre al rischio d'incendio se usato con una batteria diversa.

c. Utilizzare gli elettrodomestici solo con le batterie indicate.
L'uso di batterie diverse può esporre al rischio di infortuni e incendi.

d. Quando non è in uso, la batteria va conservata lontana da oggetti metallici come graffette, monete, chiavi, chiodi, viti o altre minuterie in metallo che possono creare contatto tra i poli.
Il cortocircuito dei poli di una batteria può causare ustioni o incendi.

e. In condizioni di sovraccarico, le batterie possono perdere liquido: evitare di toccarlo. In caso di contatto accidentale, sciacquare con acqua. Se il liquido entra a contatto con gli occhi, rivolgersi ad un medico.

Il liquido che fuoriesce dalla batteria può causare irritazioni o ustioni.

6. Riparazioni

a. Fare riparare l'utensile esclusivamente da personale qualificato e solo impiegando pezzi di ricambio originali,
onde non alterare la sicurezza dell'utensile.

Ulteriori istruzioni di sicurezza per trapani a percussione

- ◆ **Indossare protezioni acustiche per utilizzare i trapani a percussione.** L'esposizione al rumore può causare la perdita dell'udito.
- ◆ **Utilizzare le impugnature ausiliarie fornite con l'elettrodomestico.** La perdita di controllo può causare lesioni.

Istruzioni aggiuntive di sicurezza per trapani/avvitatori

- ◆ **Eseguendo lavori in cui l'elettrodomestico da taglio può entrare in contatto con linee elettriche nascoste o con il cavo di alimentazione, afferrare l'elettrodomestico tramite le apposite impugnature isolanti.** In caso di contatto con una linea sotto tensione, le parti metalliche dell'elettrodomestico vengono sottoposte a tensione provocando una scossa elettrica.
- ◆ **Utilizzare morsetti o un altro metodo sicuro per fissare e supportare il pezzo in lavorazione su una piattaforma stabile.** Sostenere il pezzo in lavorazione a mano o appoggiato al proprio corpo, lo lascia in posizione instabile e può causare perdite di controllo.
- ◆ Prima di forare pareti, pavimenti o soffitti, verificare l'ubicazione di cavi elettrici e tubazioni.
- ◆ Evitate di toccare la punta del trapano appena dopo aver forato, può essere molto calda.

Istruzioni supplementari sulla sicurezza per batterie e caricatori

Batterie

- ◆ Non tentare mai di aprirle, per nessuna ragione.
- ◆ Non esporre la batteria all'acqua.
- ◆ Non conservarle in ambienti in cui la temperatura può superare i 40 °C.
- ◆ Caricarle solo ad una temperatura ambientale compresa tra 10 °C e 40 °C.
- ◆ Caricare la batteria solo usando il caricabatteria fornito con l'elettrodomestico.

- ◆ Prima di smaltire le batterie, consultare le istruzioni riportate nella sezione "Protezione dell'ambiente".

Caricabatterie

- ◆ Usare il caricabatteria Black & Decker soltanto per caricare le batterie fornite con l'elettrotensile. Batterie di altro tipo possono esplodere, provocando danni a persone e cose.
- ◆ Non tentare mai di ricaricare una batteria non ricaricabile.
- ◆ Sostituire immediatamente i cavi difettosi.
- ◆ Non esporre il caricabatteria all'acqua.
- ◆ Non aprire il caricabatteria.
- ◆ Non applicare i puntali di un multimetro sul caricabatteria.



Il caricabatteria è destinato ad essere usato esclusivamente in ambienti interni.



Leggere il manuale di istruzioni prima dell'uso.



Trasformatore isolante a prova di guasto.

L'alimentazione di rete è separata elettricamente dall'uscita del trasformatore.



Il caricabatteria si spegne automaticamente se la temperatura ambiente sale eccessivamente. Come conseguenza, il caricabatteria diventerà inutilizzabile. L'unità dovrà essere scollegata dalla rete elettrica e portata presso un centro assistenza autorizzato per la riparazione.

Sicurezza elettrica



Il caricatore è fornito di doppio isolamento, per la quale non è richiesta la messa a terra. Assicurarsi che la tensione del caricatore corrisponda a quella erogata dalla rete. Non cercate di rimpiazzare il carica batteria inserendo l'utensile in una presa di corrente.

- ◆ L'elettrotensile non deve essere utilizzato da ragazzi o persone inabili senza la supervisione di un adulto. Controllare i bambini per evitare che giochino con l'elettrotensile.
- ◆ Se il cavo elettrico in dotazione risulta danneggiato, deve essere sostituito dal produttore o da un Centro di assistenza autorizzato Black & Decker, onde evitare rischi.

Informazioni generali

1. Interruttore avanti/indietro
2. Manicotto di supporto punta

Fig. A

3. Connettore per caricabatteria
4. Caricabatteria
5. Spina del caricabatteria

Montaggio

Inserimento e rimozione di una punta per trapano, di una brugola o di una punta per avvitare (fig. B)

Questo elettrotensile adoperava punte per avvitare e punte per trapano con stelo esagonale da 6,35 mm (1/4").

- ◆ Tirare indietro il manicotto del supporto punta (2).
- ◆ Inserire lo stelo della punta (6) nel relativo supporto.
- ◆ Rilasciare il manicotto del supporto punta.

Uso

Caricamento della batteria (fig. A)

E' necessario caricare la batteria prima del primo utilizzo e ogniqualvolta che non eroghi la sufficiente energia per eseguire un lavoro che prima veniva eseguito con facilità. Quando si carica la batteria per la prima volta, o dopo un lungo periodo d'inattività, accetterà soltanto l'80% della sua capacità. Dopo diversi cicli di carica e scarica la batteria raggiunge la sua piena capacità. La batteria si può riscaldare durante il processo di carica; è normale e non è indicativo di nessun problema.

Attenzione! Non caricare la batteria ad una temperatura ambiente inferiore ai 4 °C o superiore ai 40 °C.

La temperatura di carica consigliata è di circa 24 °C.

- ◆ Per caricare la batteria, inserire la spina del caricabatteria (5) nel connettore (3). Assicurarsi che sia dritta.
- ◆ Inserire la spina del caricabatteria nella presa (4).
- ◆ Lasciare l'elettrotensile collegato al caricabatteria per 6-8 ore.

Il caricabatteria può emettere ronzii e riscaldarsi durante la carica: è normale e non è indicativo di nessun problema. Di solito, dopo 6 ore di carica l'elettrotensile è in grado di funzionare con una potenza sufficiente per la maggior parte delle applicazioni. Ad ogni modo, un'ulteriore carica fino a 8 ore potrebbe aumentare considerevolmente il tempo d'utilizzo, a seconda della batteria e delle condizioni di carica.

- ◆ Prima di usare l'elettrotensile, estrarre la spina del caricabatteria e staccare l'elettrotensile dal caricabatteria.

Attenzione! Non usare l'elettrotensile mentre è collegato al caricabatteria.

Trapanare/avvitare (fig. C)

Per trapanare e avvitare, selezionare il senso di rotazione in avanti (senso orario). Per svitare o per togliere una punta inceppata, selezionare il senso di rotazione indietro (senso antiorario).

- ◆ Per impostare la rotazione in avanti, premere il pulsante superiore sull'interruttore avanti/indietro (1).
- ◆ Per impostare la rotazione all'indietro, premere il pulsante inferiore sull'interruttore avanti / indietro (1).
- ◆ Per spegnere l'elettrotensile, rilasciare l'interruttore.

Consigli per un'ottima utilizzazione

Istruzioni per trapanare

- ◆ Esercitare sempre una leggera pressione in linea retta con la punta.
- ◆ Prima che la punta fuoriesca dall'altra parte del pezzo in lavorazione, diminuire la pressione sull'elettrotensile.
- ◆ Usare un blocco di legno per sostenere i pezzi in lavorazione che si possono scheggiare.
- ◆ Usare punte in acciaio rapido per trapanare i metalli.
- ◆ Usare un lubrificante per trapanare metalli diversi da ottone e ferro.
- ◆ Per aumentare l'accuratezza della trapanatura, fare una tacca con un punteruolo al centro del punto da trapanare.

Avvitatura

- ◆ Usare sempre una punta per avvitare di tipo e misura adeguati.
- ◆ Se le viti sono difficili da stringere, provare ad applicare una piccola quantità di liquido detergente o sapone come lubrificante.
- ◆ Mantenere sempre l'elettrotensile e la punta in linea retta rispetto alla vite.
- ◆ Quando si lavora con il legno si consiglia di effettuare un foro pilota con una profondità uguale alla lunghezza della vite. Il foro pilota guida la vite ed evita che il legno si scheggi o si deformi. Per ottenere un foro pilota di dimensioni ottimali, consultare la tabella in basso.
- ◆ Anche quando si lavora con legno duro si consiglia di effettuare un foro passante con una profondità uguale alla metà della lunghezza della vite. Per ottenere un foro passante di dimensioni ottimali, consultare la tabella in basso.

Dimensioni delle viti	Foro pilota Ø (legno morbido)	Foro pilota Ø (legno duro)	Foro passante
Num. 6 (3,5 mm)	2,0 mm	2,5 mm	3,6 mm
Num. 8 (4 mm)	2,5 mm	3,0 mm	4,5 mm
Num. 10 (5 mm)	3,0 mm	3,5 mm	5,0 mm
Num. 12 (5,5 mm)	3,5 mm	4,0 mm	5,5 mm

Nota: Quando s'innesta il meccanismo ad impatto, si produce un rumore di scatti ripetuti. Ciò è normale e non indica alcun problema.

Accessori

Le prestazioni dell'utensile dipendono dall'accessorio usato. Gli accessori Black & Decker e Piranha, che sono prodotti di altissima qualità, sono stati progettati per ottimizzare la resa dell'utensile. Quando si scelgono questi accessori l'utensile offre prestazioni eccellenti.

Questo elettrotensile adopera punte per avvitare e punte per trapano con stelo esagonale da 6,35 mm (1/4"). Gli accessori Piranha Super-lok sono stati disegnati appositamente per questo elettrotensile.

Attenzione! Con questo elettrotensile utilizzare esclusivamente accessori ad impatto appositamente progettati. Le punte per avvitare di lunghezza inferiore a 50 mm non sono idonee per essere utilizzate con questo elettrotensile.

Manutenzione

Questo elettrotensile Black & Decker è stato progettato per funzionare a lungo con un minimo di manutenzione. Per un funzionamento sempre soddisfacente è necessario avere cura dell'elettrotensile e provvedere alla regolare pulizia.

Il caricabatteria non richiede alcun tipo di manutenzione oltre a una regolare pulizia.

Attenzione! Scollegare il caricatore dalla presa elettrica prima di pulirlo.

- ◆ Pulire regolarmente con una spazzola morbida o un panno asciutto le prese di ventilazione dell'elettrotensile e del caricabatteria.
- ◆ Il vano del motore deve essere pulito regolarmente con un panno umido. Non usare materiali abrasivi o detergenti a base di solventi.

Protezione dell'ambiente



Raccolta differenziata. Questo prodotto non deve essere smaltito con i normali rifiuti domestici.

Nel caso in cui si decida di sostituire l'apparecchio oppure di disfarsene in quanto non più necessario, non dovrà essere smaltito con i normali rifiuti domestici. Smaltire il prodotto tramite raccolta differenziata.



La raccolta differenziata di prodotti e imballaggi usati, consente il riciclaggio e il riutilizzo dei materiali. Riutilizzare i materiali riciclati aiuta a prevenire l'inquinamento ambientale e riduce la richiesta di materie prime.

In base alle normative locali, i servizi per la raccolta differenziata di elettrodomestici possono essere disponibili presso i punti di raccolta municipali o presso il rivenditore, al momento dell'acquisto di un nuovo prodotto.

Black & Decker offre ai suoi clienti un servizio per la raccolta differenziata e la possibilità di riciclare i prodotti Black & Decker che hanno esaurito la loro durata in servizio. Per usufruire del servizio, è sufficiente restituire il prodotto a qualsiasi tecnico autorizzato, incaricato della raccolta per conto dell'azienda.

Per individuare il tecnico autorizzato più vicino, rivolgersi alla sede Black & Decker locale, presso il recapito indicato nel presente manuale. Altrimenti un elenco completo di tutti i tecnici autorizzati Black & Decker e i dettagli completi sui contatti e i servizi post-vendita sono disponibili sul sito Internet: **www.2helpU.com**

Batterie



Le batterie della Black & Decker si possono ricaricare più volte: al termine della loro durata in servizio, devono essere raccolte negli appositi contenitori, per garantirne lo smaltimento nel rispetto dell'ambiente.

- ◆ Quando è completamente esaurita, la batteria deve essere estratta dall'utensile.
- ◆ Le batterie NiCd e NiMH sono riciclabili e devono essere consegnate a un tecnico autorizzato o portate presso un impianto di riciclaggio di zona.

Dati tecnici

XTC60K	
Tensione	V_{DC} 6
Velocità a vuoto	min^{-1} 2100
Impatto senza carico	min^{-1} 5600
Coppia max.	Nm 35
Portapunta	6,35 mm (1/4", esagonale)
Capacità di perforazione massima	mm 6
Peso	kg 0,9

Caricabatteria

Tensione di rete	V_{AC} 230
Tempo approssimato di carica	h 6-8
Peso	kg 0,2

Dichiarazione CE di Conformità

XTC60K

Black & Decker dichiara che i presenti prodotti sono conformi a: 98/37/CE, 89/336/CEE, 73/23/CEE, EN 60745, EN 60335, EN 55014, EN 61000

L_{pA} (pressione sonora) 73,7 dB(A), L_{WA} (potenza acustica) 84,7 dB(A), vibrazione misurata su braccio / mano 1,72 m/s²

K_{pA} (incertezza sulla pressione sonora) 3 dB(A),

K_{WA} (incertezza sulla potenza acustica) 3 dB(A)

Kevin Hewitt

Direttore tecnico prodotti di consumo
Spennymoor, County Durham DL16 6JG,
Regno Unito
1-7-2006

Garanzia

Certa della qualità dei suoi prodotti, Black & Decker offre una garanzia eccezionale. Il presente certificato di garanzia è complementare ai diritti statutari e non li pregiudica in alcun modo. La garanzia è valida entro il territorio degli Stati membri dell'Unione Europea e dell'EFTA (European Free Trade Area).



Se un prodotto Black & Decker (escluso accessori, complementi, batterie, caricabatterie e mandrini) risulta difettoso per qualità del materiale, della costruzione o per mancata conformità, entro 3 anni dalla data di acquisto, Black & Decker garantirà la sostituzione di tutte le parti difettose, provvederà alla riparazione dei prodotti se ragionevolmente usurati, oppure alla loro sostituzione, purché il prodotto sia stato registrato sul sito web Black & Decker XT dedicato ai certificati di garanzie, entro 90 giorni dalla data dell'acquisto. Se il prodotto non è stato registrato, rimarrà valida la garanzia standard (2 anni).

La garanzia non è valida se:

- ◆ Il prodotto è stato destinato ad usi commerciali, professionali o al noleggio;
- ◆ Il prodotto è stato usato in modo improprio o scorretto;
- ◆ Il prodotto ha subito danni causati da oggetti o sostanze estranee oppure incidenti;
- ◆ Le riparazioni sono state eseguite da personale non autorizzato;
- ◆ Il prodotto è stato modificato in qualunque modo rispetto alle specifiche originali;
- ◆ Sono stati utilizzati accessori o complementi non idonei.

L'estensione della garanzia non è valida se:

- ◆ non viene prodotta una prova d'acquisto e il certificato di garanzia originale.

Registrate subito i vostri prodotti on-line sul sito www.blackanddecker.it/xt per poter usufruire dell'estensione di garanzia (3 anni) e tenervi aggiornati sui nuovi prodotti e sulle offerte speciali.

Per avvalersi della garanzia è necessario esibire la prova d'acquisto al venditore o al tecnico autorizzato. Per individuare il tecnico autorizzato più vicino, rivolgersi alla sede Black & Decker locale, presso il recapito indicato nel presente manuale. Altrimenti un elenco completo di tutti i tecnici autorizzati Black & Decker e i dettagli completi sui contatti e i servizi post-vendita sono disponibili sul sito Internet:

www.2helpU.com

Ulteriori informazioni sul marchio Black & Decker e sulla nostra gamma di prodotti sono disponibili all'indirizzo

www.blackanddecker.it

Gebruik volgens bestemming

Uw Black & Decker slagschroevendraaier is bedoeld voor het in- en uitdraaien van schroeven en voor het voorboren in hout, metaal en kunststoffen.

Uw Black & Decker oplader is ontworpen om de accu op te laden in het apparaat waarmee hij geleverd is.

Deze machine is uitsluitend bestemd voor consumentengebruik.

Algemene veiligheidsvoorschriften

Waarschuwing! Lees alle voorschriften. Wanneer de volgende voorschriften niet in acht worden genomen, kan dit een elektrische schok, brand of ernstig letsel tot gevolg hebben. Het hierna gebruikte begrip "elektrisch gereedschap" heeft betrekking op elektrische gereedschappen voor gebruik op het stroomnet (met netsnoer) of op accu (snoerloos).
BEWAAR DEZE VOORSCHRIFTEN GOED.

1. Werkomgeving

a. Houd uw werkomgeving schoon en opgeruimd.

Een rommelige of onverlichte werkomgeving kan tot ongevallen leiden.

b. Werk met de machine niet in een omgeving met explosiegevaar, zoals in de nabijheid van brandbare vloeistoffen, gassen of stof bevinden.

Elektrische gereedschappen veroorzaken vonken die het stof of de dampen tot ontsteking kunnen brengen.

c. Houd kinderen en andere personen tijdens het gebruik van het elektrische gereedschap uit de buurt.

Wanneer u wordt afgeleid, kunt u de controle over het gereedschap verliezen.

2. Elektrische veiligheid

a. De netstekker van het gereedschap moet in het stopcontact passen. De stekker mag in geen geval worden veranderd. Gebruik geen adapterstekkers in combinatie met gearde gereedschappen.

Onveranderde stekkers en passende stopcontacten beperken het risico van een elektrische schok.

b. Voorkom aanraking van het lichaam met gearde oppervlakken, bijvoorbeeld buizen, verwarmingen, fornuizen en koelkasten.

Er bestaat een verhoogd risico voor een elektrische schok wanneer uw lichaam geard is.

c. Houd het gereedschap uit de buurt van regen en vocht.

Het binnendringen van water in het elektrische gereedschap vergroot het risico van een elektrische schok.

d. Gebruik het snoer niet voor een verkeerd doel. Gebruik het snoer niet om het gereedschap te dragen of op te hangen of om de stekker uit het stopcontact te trekken.

Houd het snoer uit de buurt van hitte, olie, scherpe randen of bewegende delen.

Beschadigde of in de war geraakte snoeren vergroten het risico van een elektrische schok.

e. Wanneer u buitenshuis met elektrisch gereedschap werkt, dient u alleen verlengsnoeren te gebruiken die voor gebruik buitenshuis zijn goedgekeurd.

Het gebruik van een voor gebruik buitenshuis geschikt verlengsnoer beperkt het risico van een elektrische schok.

3. Veiligheid van personen

a. Wees alert, let goed op wat u doet en ga met verstand te werk bij het gebruik van elektrische gereedschappen. Gebruik elektrisch gereedschap niet wanneer u moe bent of onder invloed van drugs, alcohol of medicijnen.

Een moment van onoplettendheid bij het gebruik van het gereedschap kan tot ernstige verwondingen leiden.

b. Draag persoonlijke beschermende uitrusting. Draag altijd een veiligheidsbril.

Het dragen van persoonlijke beschermende uitrusting zoals een stofmasker, slipvaste werkschoenen, een veiligheidshelm of gehoorbescherming, afhankelijk van de aard en het gebruik van het elektrische gereedschap, vermindert het risico van verwondingen.

c. Voorkom per ongeluk inschakelen. Controleer of de schakelaar in de uit-stand staat voordat u de stekker in het stopcontact steekt.

Wanneer u bij het dragen van het gereedschap uw vinger aan de schakelaar hebt of wanneer u het gereedschap ingeschakeld op de stroomvoorziening aansluit, kan dit tot ongevallen leiden.

d. Verwijder instelgereedschappen of schroefsleutels voordat u het gereedschap inschakelt.

Een instelgereedschap of sleutel in een draaiend deel van het gereedschap kan tot verwondingen leiden.

e. Reik niet te ver. Zorg er altijd voor dat u stevig staat en in evenwicht blijft.

Daardoor kunt u het gereedschap in onverwachte situaties beter onder controle houden.

f. Draag geschikte kleding. Draag geen loshangende kleding of sieraden. Houd haren, kleding en handschoenen uit de buurt van bewegende delen.

Loshangende kleding, sieraden en lange haren kunnen door bewegende delen worden meegenomen.

g. Wanneer stofafzuigings- of stofopvangvoorzieningen kunnen worden gemonteerd, dient u zich ervan te verzekeren dat deze zijn aangesloten en juist worden gebruikt.

Het gebruik van deze voorzieningen beperkt het gevaar door stof.

4. Gebruik en onderhoud van elektrische gereedschappen

- a. Overbelast het gereedschap niet. Gebruik voor uw toepassing het daarvoor bestemde elektrische gereedschap.**

Met het passende elektrische gereedschap werkt u beter en veiliger binnen het aangegeven capaciteitsbereik.

- b. Gebruik geen elektrisch gereedschap waarvan de schakelaar defect is.**

Elektrisch gereedschap dat niet meer kan worden in- of uitgeschakeld, is gevaarlijk en moet worden gerepareerd.

- c. Trek de stekker uit het stopcontact voordat u het gereedschap instelt, toebehoren wisselt of het gereedschap weglegt.**

Deze voorzorgsmaatregel voorkomt onbedoeld starten van het gereedschap.

- d. Bewaar niet-gebruikte elektrische gereedschappen buiten bereik van kinderen. Laat het gereedschap niet gebruiken door personen die er niet mee vertrouwd zijn en deze aanwijzingen niet hebben gelezen.**

Elektrische gereedschappen zijn gevaarlijk wanneer deze door onervaren personen worden gebruikt.

- e. Verzorg het gereedschap zorgvuldig. Controleer of bewegende delen van het gereedschap correct functioneren en niet vastklemmen en of onderdelen zodanig gebroken of beschadigd zijn dat de werking van het gereedschap nadelig wordt beïnvloed. Laat beschadigde delen repareren voordat u het gereedschap gebruikt.**

Veel ongevallen worden veroorzaakt door slecht onderhouden elektrische gereedschappen.

- f. Houd snijdende inzetgereedschappen scherp en schoon.**

Zorgvuldig onderhouden snijdende inzetgereedschappen met scherpe snijkanten klemmen minder snel vast en zijn gemakkelijker te geleiden.

- g. Gebruik elektrische gereedschappen, toebehoren, inzetgereedschappen en dergelijke volgens deze aanwijzingen en zoals voor dit speciale gereedschapstype voorgeschreven. Let daarbij op de arbeidsomstandigheden en de uit te voeren werkzaamheden.**

Het gebruik van elektrische gereedschappen voor andere dan de voorziene toepassingen kan tot gevaarlijke situaties leiden.

5. Gebruik en onderhoud van accu-gereedschappen

- a. Controleer of de schakelaar in de uit-stand staat voordat u de accu in het gereedschap steekt.**

Wanneer bij het aanbrengen van een accu in elektrisch gereedschap de schakelaar in de aan-stand staat, kan dit tot ongevallen leiden.

- b. Laad accu's alleen op in opladers die door de fabrikant zijn gespecificeerd.**

Voor een oplader die voor een bepaald type accu geschikt is, bestaat brandgevaar wanneer hij met andere accu's wordt gebruikt.

- c. Gebruik elektrische gereedschappen alleen met de daarvoor bedoelde accu's.**

Het gebruik van andere accu's kan leiden tot verwondings- en brandgevaar.

- d. Houd accu's die niet in gebruik zijn uit de buurt van metalen voorwerpen zoals paperclips, munten, sleutels, spijkers, schroeven en andere kleine metalen voorwerpen die overbrugging van de contacten kunnen veroorzaken.**

Kortsluiting tussen de accucontacten kan brandwonden of brand tot gevolg hebben.

- e. Bij verkeerd gebruik kan vloeistof uit de accu lekken. Voorkom contact. Spoel in geval van onvoorzien contact met water af. Wanneer de vloeistof in de ogen komt, dient u bovendien een arts te raadplegen.**

Uit de accu gelekte vloeistof kan huidirritaties of brandwonden veroorzaken.

6. Service

- a. Laat het gereedschap alleen repareren door gekwalificeerd en vakkundig personeel en alleen met originele vervangingsonderdelen.**

Daarmee wordt de veiligheid van het gereedschap gewaarborgd.

Aanvullende veiligheidsinstructies voor kloppboormachines

- ◆ **Draag oorbeschermers bij kloppboormachines.** Blootstelling aan geluid kan leiden tot gehoorbeschadiging.
- ◆ **Gebruik de handgrepen die met de machine zijn meegeleverd.** Het niet in bedwang kunnen houden van de machine kan leiden tot ongelukken.

Aanvullende veiligheidsinstructies voor schroef/boormachines

- ◆ **Houd de machine alleen aan de geïsoleerde greepvlakken vast als u werkzaamheden uitvoert waarbij het zaagblad verborgen stroomleidingen of de eigen machinekabel kan raken.** Het contact met een onder spanning staande leiding zet de zichtbare metalen machinedelen onder spanning en leidt tot een elektrische schok.
- ◆ **Hanteer klemmen of een andere praktische manier om het werkstuk op een stabiele ondergrond vast te klemmen en te ondersteunen.** Het werkstuk met de hand vasthouden of tegen het lichaam houden zorgt voor instabiliteit en kan leiden tot controleverlies.

- ◆ Controleer voordat u gaat boren in muren, vloeren of plafonds de locatie van eventueel aanwezige gas-, water- en elektriciteitsleidingen.
- ◆ Vermijd aanraking met de punt van de boor vlak na het boren, omdat deze heet kan zijn.

Aanvullende veiligheidsvoorschriften voor accu's en opladers

Accu's

- ◆ Probeer nooit een accu te openen.
- ◆ Stel de accu niet aan water bloot.
- ◆ Bewaar accu's niet op plaatsen waar de temperatuur 40 °C kan overschrijden.
- ◆ Laad accu's uitsluitend op bij een omgevingstemperatuur tussen 10 °C en 40 °C.
- ◆ Laad accu's uitsluitend op met behulp van de meegeleverde oplader.
- ◆ Volg bij het afdanken van accu's de instructies in de paragraaf "Milieu" op.

Opladers

- ◆ Gebruik uw Black & Decker oplader uitsluitend voor het opladen van accu's van het meegeleverde type. Andere accu's kunnen barsten, waardoor letsel en materiële schade kunnen ontstaan.
- ◆ Probeer nooit om niet oplaadbare accu's op te laden.
- ◆ Laat een defect netsnoer onmiddellijk vervangen.
- ◆ Stel de oplader niet aan water bloot.
- ◆ Open de oplader niet.
- ◆ Steek geen voorwerpen in het inwendige van de oplader.



De oplader is uitsluitend bedoeld voor gebruik binnenshuis.



Lees de gebruiksaanwijzing voor gebruik.



Stringbestendige scheidingstransformator.
De netspanning is elektrisch gescheiden van de uitgangsspanning van de transformator.



De oplader sluit automatisch af als de omgevingstemperatuur te hoog wordt. Als een gevolg zal de oplader buiten werking raken. De eenheid moet van de netspanning worden ontkoppeld en voor reparatie naar een erkend servicecentrum worden gebracht.

Elektrische veiligheid



Uw oplader is dubbel geïsoleerd. Een aarddraad is daarom niet vereist. Controleer of de ingangsspanning van de oplader overeenkomt met de netspanning. Vervang de oplader nooit door een netstekker.

- ◆ Dit apparaat is niet bedoeld voor gebruik door jonge of lichamelijk zwakke personen zonder toezicht. Houd toezicht op kinderen om ervoor te zorgen dat zij niet met het apparaat gaan spelen.
- ◆ Indien het netsnoer is beschadigd, dient het ter voorkoming van gevaren te worden vervangen door de fabrikant of een erkend servicecentrum.

Overzicht

1. Rechtsom/linksomschakelaar
2. Bithouderhuls

Fig. A

3. Aansluitpunt voor oplader
4. Oplader
5. Opladerstekker

Assemblage

Monteren en verwijderen van een boor-, dop- of schroefbit (fig. B)

Deze machine is geschikt voor dopbits, schroefbits en boren met een 1/4" (6,35 mm) zeskantschacht.

- ◆ Trek de bithouderhuls (2) naar achteren.
- ◆ Steek de schacht van het bit (6) in de bithouder.
- ◆ Laat de bithouderhuls los.

Gebruik

Opladen van de accu (fig. A)

De accu moet worden opgeladen voor het eerste gebruik alsmede zodra hij niet meer genoeg energie levert voor werkzaamheden die eerder moeiteloos konden worden verricht. Als u de accu voor de eerste keer of na langdurige opslag oplaadt, zal deze slechts voor ca. 80% worden opgeladen. Na een aantal laad- en ontlad-cycli wordt de accu echter compleet opgeladen. Tijdens het opladen kan de accu warm aanvoelen. Dit is normaal en duidt niet op een defect.

Waarschuwing! Laad de accu niet op bij omgevingstemperaturen onder 4 °C of boven 40 °C. Aanbevolen oplaadtemperatuur: ca. 24 °C.

- ◆ Om de accu op te laden, steekt u de opladerstekker (5) in het aansluitpunt (3). Controleer of de kop recht staat.

- ◆ Steek de stekker van de oplader (4) in het stopcontact.
- ◆ Laat de machine 6-8 uur opladen.

Tijdens het opladen kan de oplader zacht brommen en warm aanvoelen. Dit is normaal en duidt niet op een defect.

Doorgaans zal een laadtijd van 6 uur voldoende zijn voor effectief gebruik bij de meeste werkzaamheden. Een langere oplaadtijd van 8 uur zal echter, afhankelijk van de toestand van de accu en de oplaadomstandigheden, de gebruikstijd aanzienlijk verlengen.

- ◆ Voordat u de machine in gebruik neemt, haalt u de oplader uit het stopcontact en ontkoppelt u de machine van de oplader.

Waarschuwing! Gebruik de machine niet terwijl hij gekoppeld is aan de oplader.

Boren/schroeven (fig. C)

Kies voor boren en schroeven indraaien de draairichting rechtsom (met de klok mee). Kies voor schroeven losdraaien of voor het verwijderen van een vastgelopen boor de draairichting linksom (tegen de klok in).

- ◆ Om de machine met rotatie rechtsom aan te zetten drukt u de bovenste knop op de rechtsom/linksomschakelaar (1) in.
- ◆ Om de machine met rotatie linksom aan te zetten, drukt u de onderste knop op de rechtsom/linksomschakelaar (1) in.
- ◆ Om de machine uit te schakelen, laat u de schakelaar los.

Tips voor optimaal gebruik

Boren

- ◆ Voer altijd lichte druk uit in een rechte lijn met de boor.
- ◆ Verminder de druk op de machine net voordat de boorpunt door de andere kant van het werkstuk heengaat.
- ◆ Gebruik een blok hout om werkstukken die kunnen versplinteren te beschermen.
- ◆ Gebruik HSS-boren voor het boren in metaal.
- ◆ Gebruik een smeermiddel voor boren in andere metalen dan gietijzer en koper.
- ◆ Maak een inkerving met behulp van een centerpons in het midden van het te boren gat om de nauwkeurigheid te vergroten.

Schroeven

- ◆ Gebruik altijd het juiste type en de juiste maat schroefbit.
- ◆ Als schroeven moeilijk in te draaien zijn, gebruik dan een beetje vloeibaar wasmiddel of zeep als smeermiddel.
- ◆ Houd de machine en schroefbit altijd in een rechte lijn met de schroef.
- ◆ Als u in hout gaat schroeven, dan valt het aan te bevelen om eerst een gaatje te boren met een diepte gelijk aan de schroeflengte.

Dit gaatje zorgt ervoor dat de schroef ingedraaid kan worden zonder dat het hout gaat splinteren of splijten. Raadpleeg de onderstaande tabel voor de optimale maat van het te boren gaatje.

- ◆ Als u in hardhout gaat schroeven, boor dan eerst een startgaatje met een diepte gelijk aan de helft van de schroeflengte. Raadpleeg de onderstaande tabel voor de optimale maat van het te boren startgaatje.

Schroefmaat	Boorgat \varnothing (zachthout)	Boorgat \varnothing (hardhout)	Startgat
Nr. 6 (3,5 mm)	2,0 mm	2,5 mm	3,6 mm
Nr. 8 (4 mm)	2,5 mm	3,0 mm	4,5 mm
Nr. 10 (5 mm)	3,0 mm	3,5 mm	5,0 mm
Nr. 12 (5,5 mm)	3,5 mm	4,0 mm	5,5 mm

Opmerking: Er is een ratelend geluid te horen indien het slagmechanisme in werking treedt. Dit is normaal en het betekent niet dat er problemen zijn.

Accessoires

De prestaties van uw machine hangen af van welke accessoire u gebruikt. Black & Decker en Piranha accessoires zijn ontwikkeld om te voldoen aan hoge kwaliteitseisen en ontworpen om de prestaties van uw machine te verbeteren. Met behulp van deze accessoires haalt u het beste uit uw machine.

Deze machine is geschikt voor dopbits, schroefbits en boren met een 1/4" (6,35 mm) zeskantschacht. Piranha Super-lok accessoires zijn speciaal ontwikkeld voor gebruik met deze machine.

Waarschuwing! Gebruik alleen geschikte accessoires met uw machine. Schroefbits korter dan 50 mm zijn niet geschikt voor gebruik met deze machine.

Onderhoud

Uw Black & Decker machine is ontworpen om gedurende langere periode te functioneren met een minimum aan onderhoud. Voortdurend tevreden gebruik is afhankelijk van correct onderhoud en regelmatig schoonmaken.

Uw oplader heeft geen ander onderhoud dan een regelmatig reiniging.

Waarschuwing! Koppel voor het reinigen van de oplader de netstekker los van het lichtnet.

- ◆ Reinig regelmatig de ventilatieopeningen van de machine en oplader met behulp van een zachte borstel of een droge doek.
- ◆ Reinig regelmatig de behuizing van de motor met een vochtige doek. Gebruik geen schuur- of oplosmiddel.

Milieu



Gescheiden inzameling. Dit product mag niet met het gewone huishoudelijke afval worden weggegooid.

Wanneer uw oude Black & Deckerproduct aan vervanging toe is of het u niet langer van dienst kan zijn, gooi het dan niet bij het huishoudelijk afval. Zorg ervoor dat het product gescheiden kan worden ingezameld.



Door gebruikte producten en verpakkingen gescheiden in te zamelen, worden de materialen gerecycled en opnieuw gebruikt. Hergebruik van gerecyclede materialen voorkomt milieuvuiling en vermindert de vraag naar grondstoffen.

Inzamelpunten voor gescheiden inzameling van elektrische huishoudproducten bij gemeentelijke vuilnisbergen of bij de verkoper waar u een nieuw product koopt, kunnen aan plaatselijke voorschriften gebonden zijn.

Black & Decker biedt de mogelijkheid tot inzamelen en recyclen van afgedankte Black & Decker producten. Om gebruik van deze service te maken, dient u het product aan een van onze servicecentra te sturen, die voor ons de inzameling verzorgen.

U kunt het adres van het dichtstbijzijnde servicecentrum opvragen via de adressen op de achterzijde van deze handleiding. U kunt ook een lijst van onze servicecentra en meer informatie m.b.t. onze klantenservice vinden op het volgende Internet-adres: **www.2helpU.com**

Accu's



Black & Decker accu's kunnen vele malen opnieuw worden opgeladen. Versleten accu's dienen op milieubewuste wijze te worden verwijderd:

- ◆ Gebruik de energie van de accu helemaal op en verwijder hem dan van de machine.
- ◆ NiCd- en NiMH-accu's zijn te recyclen. Breng ze naar een servicecentrum of naar een plaatselijk verwerkingscentrum voor klein chemisch afval.

Technische gegevens

	XTC60K
Spanning	V_{DC} 6
Onbelast toerental	min^{-1} 2.100
Onbelaste slag	min^{-1} 5.600
Max. koppel	Nm 35
Bithouder	1/4" (6,35 mm zeskant)

Max. boorcapaciteit	mm 6
Gewicht	kg 0,9

Oplader

Netspanning	V_{AC} 230
Gemiddelde oplaadtijd	h 6-8
Gewicht	kg 0,2

EG-conformiteitsverklaring

XTC60K

Black & Decker verklaart dat deze producten in overeenstemming zijn met:

98/37/EG, 89/336/EEG, 73/23/EEG, EN 60745, EN 60335, EN 55014, EN 61000

L_{pA} (geluidsdruk) 73,7 dB(A), L_{WA} (geluidsvermogen) 84,7 dB(A),
gewogen kwadratische gemiddelde waarde van de versnelling
1,72 m/s^2

K_{pA} (meetonzekerheid geluidsdruk) 3 dB(A),

K_{WA} (meetonzekerheid geluidsvermogen) 3 dB(A)

Kevin Hewitt

Director of Consumer Engineering
Spennymoor, County Durham DL16 6JG,
Verenigd Koninkrijk
1-7-2006

Garantie

Black & Decker heeft vertrouwen in zijn producten en biedt een uitstekende garantie. Deze garantiebepalingen vormen een aanvulling op uw wettelijke rechten en beperken deze niet. De garantie geldt in de lidstaten van de Europese Unie en de Europese Vrijhandelsassociatie.



Mocht uw Black & Decker XT-product (behalve accessoires, hulpstukken, accu's, laders en boorhouders) binnen 3 jaar na datum van aankoop defect raken tengevolge van materiaal- of constructiefouten, garanderen wij de vervanging van defecte onderdelen, de reparatie van het product of de vervanging van deze producten, op voorwaarde dat het product geregistreerd is via de Black & Decker website voor de garantie van XT-producten. Indien het product niet geregistreerd is dan geldt alleen de standaard garantie (2 jaar).

De garantie geldt niet wanneer:

- ◆ Het product is gebruikt voor handelsdoeleinden, professionele toepassingen of verhuurdoeleinden;
- ◆ Het product onoordeelkundig is gebruikt;

- ◆ Het product is beschadigd door invloeden van buitenaf of door een ongeval;
- ◆ Poging tot reparatie is uitgevoerd door onbevoegde personen;
- ◆ Het product op welke manier dan ook is aangepast op basis van de oorspronkelijke specificaties;
- ◆ Ongeschikte accessoires of hulpstukken zijn gebruikt.

De verlengde garantie geldt niet wanneer:

- ◆ De aankoopbon of het originele garantiecertificaat van verlenging niet kan worden aangetoond.

Registreer uw product nu on-line via www.blackanddecker.nl/xt om in aanmerking te komen voor de verlengde garantie (3 jaar), en om op de hoogte te blijven van nieuwe producten en speciale aanbiedingen.

Om een beroep op de garantie te doen, dient u een aankoopbewijs te overhandigen aan de verkoper of een van onze servicecentra. U kunt het adres van het dichtstbijzijnde servicecentrum opvragen via de adressen op de achterzijde van deze handleiding. U kunt ook een lijst van onze servicecentra en meer informatie m.b.t. onze klantenservice vinden op het volgende Internet-adres: **www.2helpU.com**

Verdere informatie over het merk Black & Decker en onze producten vindt u op **www.blackanddecker.nl**

Finalidad

Su atornillador de percusión Black & Decker se ha diseñado para atornillar y desatornillar así como para realizar taladros de guía en madera, metal y plástico.

Esta herramienta está pensada únicamente para uso doméstico. Su cargador Black & Decker se ha diseñado para cargar la batería de la herramienta con la que se suministra.

Normas de seguridad generales

Atención! Lea íntegramente estas instrucciones. En caso de no atenerse a las instrucciones de seguridad siguientes, ello puede dar lugar a una descarga eléctrica, incendio o lesión grave. El término "herramienta eléctrica" empleado en las advertencias indicadas a continuación se refiere a la herramienta eléctrica con alimentación de red (con cable) o alimentada por batería (sin cable).

GUARDE ESTAS INSTRUCCIONES EN UN LUGAR SEGURO.

1. Área de trabajo

a. Mantenga limpia y bien iluminada el área de trabajo.

El desorden y una iluminación deficiente en las áreas de trabajo pueden provocar accidentes.

b. No utilice la herramienta eléctrica en un entorno con peligro de explosión, en el que se encuentren combustibles líquidos, gases o material en polvo.

Las herramientas eléctricas producen chispas que pueden llegar a inflamar los materiales en polvo o vapores.

c. Mantenga alejados a los niños y otras personas del área de trabajo al emplear la herramienta eléctrica.

Una distracción le puede hacer perder el control sobre la herramienta.

2. Seguridad eléctrica

a. El enchufe de la herramienta eléctrica debe corresponder a la toma de corriente utilizada. No es admisible modificar el enchufe en forma alguna. No emplee adaptadores en herramientas eléctricas dotadas con una toma de tierra.

Los enchufes sin modificar adecuados a las respectivas tomas de corriente reducen el riesgo de una descarga eléctrica.

b. Evite que su cuerpo toque partes conectadas a tierra como tuberías, radiadores, cocinas y refrigeradores.

El riesgo a quedar expuesto a una sacudida eléctrica es mayor si su cuerpo tiene contacto con tierra.

c. No exponga las herramientas eléctricas a la lluvia y evite que penetren líquidos en su interior.

Existe el peligro de recibir una descarga eléctrica si penetran ciertos líquidos en la herramienta eléctrica.

d. Cuide el cable de alimentación. No utilice el cable de red para transportar o colgar la herramienta eléctrica, ni tire de él para sacar el enchufe de la toma de corriente. Mantenga el cable de red alejado del calor, aceite, bordes afilados o piezas móviles.

Los cables de red dañados o enredados pueden provocar una descarga eléctrica.

e. Al trabajar con la herramienta eléctrica en la intemperie utilice solamente cables de prolongación homologados para su uso en exteriores.

La utilización de un cable de prolongación adecuado para su uso en exteriores reduce el riesgo de una descarga eléctrica.

3. Seguridad personal

a. Esté atento a lo que hace y emplee la herramienta eléctrica con prudencia. No utilice la herramienta eléctrica si estuviese cansado, ni tampoco después de haber consumido alcohol, drogas o medicamentos.

El no estar atento durante el uso de una herramienta eléctrica puede provocar serias lesiones.

b. Utilice un equipo de protección y en todo caso unas gafas de protección.

El riesgo a lesionarse se reduce considerablemente si, dependiendo del tipo y la aplicación de la herramienta eléctrica empleada, se utiliza un equipo de protección adecuado como una mascarilla antipolvo, zapatos de seguridad con suela antideslizante, casco, o protectores auditivos.

c. Evite una puesta en marcha accidental de la herramienta. Compruebe que el interruptor esté en la posición de apagado antes de enchufar la herramienta.

Transportar la herramienta eléctrica con el dedo sobre el interruptor o enchufarla con el interruptor encendido puede provocar accidentes.

d. Retire las herramientas de ajuste o llaves fijas antes de conectar la herramienta eléctrica.

Una herramienta o llave colocada en una pieza giratoria puede producir lesiones al ponerse a funcionar.

e. Sea precavido. Mantenga un apoyo firme sobre el suelo y conserve el equilibrio en todo momento.

Ello le permitirá controlar mejor la herramienta eléctrica en caso de presentarse una situación inesperada.

f. Lleve puesta una vestimenta de trabajo adecuada. No lleve vestidos anchos ni joyas. Mantenga su pelo, vestimenta y guantes alejados de las piezas móviles.

La vestimenta suelta, las joyas y el pelo largo se pueden enganchar con las piezas en movimiento.

- g. Siempre que sea posible utilizar unos equipos de aspiración o captación de polvo, asegúrese que éstos estén montados y que sean utilizados correctamente.**

El empleo de estos equipos reduce los riesgos derivados del polvo.

4. Uso y cuidado de herramientas eléctricas

- a. No sobrecargue la herramienta eléctrica. Use la herramienta eléctrica prevista para el trabajo a realizar.**

Con la herramienta eléctrica adecuada podrá trabajar mejor y más seguro dentro del margen de potencia indicado.

- b. No utilice herramientas eléctricas con un interruptor defectuoso.**

Las herramientas eléctricas que no se puedan conectar o desconectar son peligrosas y deben hacerse reparar.

- c. Saque el enchufe de la red antes de realizar un ajuste en la herramienta eléctrica, cambiar de accesorio o al guardar la herramienta.**

Esta medida preventiva reduce el riesgo de conectar accidentalmente la herramienta eléctrica.

- d. Guarde las herramientas eléctricas fuera del alcance de los niños y de las personas que no estén familiarizadas con su uso.**

Las herramientas eléctricas utilizadas por personas inexpertas son peligrosas

- e. Cuide sus herramientas eléctricas con esmero. Controle si funcionan correctamente, sin atascarse, las partes móviles de la herramienta eléctrica, y si existen partes rotas o deterioradas que pudieran afectar al funcionamiento de la herramienta. Si la herramienta eléctrica estuviese defectuosa haga que la reparen antes de volver a utilizarla.**

Muchos de los accidentes se deben a herramientas eléctricas con un mantenimiento deficiente.

- f. Mantenga las herramientas de corte limpias y afiladas.**

Las herramientas de corte mantenidas correctamente se dejan guiar y controlar mejor.

- g. Utilice herramientas eléctricas, accesorios, útiles de herramienta, etc. de acuerdo con estas instrucciones y en la manera indicada específicamente para esta herramienta eléctrica. Considere en ello las condiciones de trabajo y la tarea a realizar.**

El uso de herramientas eléctricas para trabajos diferentes de aquellos para los que han sido concebidas puede resultar peligroso.

5. Uso y cuidado de herramientas con batería

- a. Cerciórese de que el aparato esté desconectado antes introducir la batería.**

No introduzca la batería en la herramienta con el interruptor encendido ya que puede provocar accidentes.

- b. Recargue la batería únicamente con el cargador especificado por el fabricante.**

Un cargador adecuado para un tipo de batería puede provocar un incendio si se utiliza con otra batería.

- c. Use las herramientas únicamente con las baterías específicamente designadas.**

El uso de cualquier otra batería puede provocar lesiones o un incendio.

- d. Cuando no utilice la batería, manténgala alejada de objetos metálicos como clips, monedas, llaves, clavos, tornillos, o cualquier otro objeto metálico pequeño que pueda dar lugar a una conexión entre los bornes.**

El cortocircuito entre los bornes de la batería puede ocasionar quemaduras o un incendio.

- e. Un mal uso puede dar lugar a que la batería pierda líquido; evite cualquier contacto con el líquido. Si accidentalmente entra en contacto con el líquido, enjuáguese con agua. Si le entra líquido en los ojos, busque rápidamente asistencia médica.**

El líquido que pierde la batería puede ocasionar irritación o quemaduras.

6. Servicio técnico

- a. Haga reparar su herramienta eléctrica sólo por personal técnico autorizado que emplee exclusivamente piezas de repuesto originales.**

Solamente así se garantiza la seguridad de la herramienta eléctrica.

Instrucciones de seguridad adicionales para taladros percutores

- ◆ **Lleve protección acústica cuando utilice taladros percutores.** La exposición al ruido puede provocar la pérdida de audición.
- ◆ **Utilice las empuñaduras auxiliares que se suministran con la herramienta.** La pérdida de control puede provocar lesiones personales.

Instrucciones de seguridad adicionales para taladros/atornilladores

- ◆ **Sujete la herramienta únicamente por las empuñaduras aisladas al realizar trabajos en los que la herramienta de corte pueda tocar cables eléctricos ocultos o su propio cable.** El contacto con cables con corriente puede hacer que las partes metálicas al descubierto de la herramienta provoquen una descarga al usuario.

- ◆ **Utilice mordazas u otra forma práctica para fijar y soportar la pieza de trabajo a una plataforma estable.** Sujetar el trabajo a mano o contra su cuerpo hace que pierda estabilidad y puede provocar la pérdida de control.
- ◆ Antes de taladrar paredes, suelos o techos, compruebe la ubicación de cableados y tuberías.
- ◆ Evite tocar la punta de la broca inmediatamente después de taladrar, ya que estará caliente.

Instrucciones de seguridad adicionales para baterías y cargadores

Pilas

- ◆ Nunca, por ningún motivo, trate de abrir la batería.
- ◆ No exponga la batería al agua.
- ◆ No las almacene en lugares donde la temperatura pueda superar los 40 °C.
- ◆ Cargue las baterías únicamente a temperaturas entre 10 y 40 °C.
- ◆ Recargue utilizando únicamente el cargador suministrado con la herramienta.
- ◆ Cuando deseche las baterías, siga las instrucciones indicadas en la sección "Protección del medio ambiente".

Cargadores

- ◆ Use el cargador Black & Decker únicamente para cargar baterías del tipo suministrado. Otras baterías podrían estallar, causando daños y lesiones personales.
- ◆ Nunca intente cargar baterías no recargables.
- ◆ Sustituya inmediatamente los cables defectuosos.
- ◆ No exponga el cargador al agua.
- ◆ No abra el cargador.
- ◆ No manipule el cargador.



El cargador está pensado únicamente para su uso en interiores.



Antes de la utilización, lea el manual de instrucciones.



Transformador aislante a prueba de averías
La alimentación de corriente está separada eléctricamente de la salida del transformador.



El cargador se desconecta automáticamente si la temperatura ambiente es demasiado elevada. A consecuencia de esto el cargador quedará inoperativo. La unidad debe desconectarse del suministro de red y llevarse a un centro de servicio técnico autorizado para su reparación.

Seguridad eléctrica



Su cargador tiene doble aislamiento; por consiguiente, no se requiere conexión a tierra. El cargador ha sido diseñado para un solo voltaje. Compruebe siempre que el voltaje de la red corresponde al valor indicado en la placa de características. No intente nunca sustituir el cargador por un enchufe normal a la red.

- ◆ Este aparato no ha sido concebido para ser utilizado por jóvenes ni personas discapacitadas sin supervisión. Debe vigilarse a los niños para asegurarse de que no jueguen con el aparato.
- ◆ Si el cable eléctrico está estropeado, debe ser sustituido por el fabricante o un servicio técnico autorizado de Black & Decker con el fin de evitar accidentes.

Vista general

1. Interruptor de avance/retroceso
2. Cubierta del portapuntas

Fig. A

3. Conector del cargador
4. Cargador
5. Enchufe del cargador

Montaje

Colocación y extracción de una broca, una punta hueca o una punta de atornillar (fig. B)

Esta herramienta usa puntas huecas, puntas de atornillar y brocas con una espiga hexagonal de 6,35 mm (1/4").

- ◆ Tire hacia atrás de la cubierta del portapuntas (2).
- ◆ Inserte el eje de la punta o broca (6) en el portapuntas.
- ◆ Suelte la cubierta del portapuntas.

Uso

Carga de la batería (fig. A)

La batería debe cargarse antes de usarla por primera vez y siempre que no obtenga la suficiente potencia en trabajos que antes efectuaba con facilidad. Cuando cargue la batería por primera vez, o después de un prolongado almacenaje, sólo obtendrá una carga del 80%. Después de varios ciclos de carga y descarga, la batería alcanzará su capacidad máxima. Durante la carga, la batería podría calentarse; esto es normal y no indica ningún problema.

¡Atención! No cargue la batería a una temperatura ambiente inferior a 4 °C o superior a 40 °C. Temperatura recomendada de carga: aprox. 24 °C.

- ◆ Para cargar la batería, inserte el enchufe del cargador (5) en el conector (3). Asegúrese de que el cabezal esté en posición recta.
- ◆ Enchufe el cargador (4).
- ◆ Deje la herramienta conectada al cargador durante 6-8 horas.

Durante la carga es posible que el cargador emita un zumbido y se caliente; esto es normal y no es indicio de ningún problema. Generalmente, un tiempo de carga de 6 horas permitirá que la herramienta funcione a un nivel eficaz de potencia en la mayoría de los trabajos. No obstante, una carga de hasta 8 horas podría incrementar, significativamente, el tiempo de uso, dependiendo de la batería y de las condiciones de carga.

- ◆ Antes de utilizar la herramienta, desenchufe el cargador y desconecte la herramienta del mismo.

¡Atención! No utilice la herramienta mientras esté conectada al cargador.

Taladrado/atornillado (fig. C)

Para taladrar y apretar tornillos, use la rotación directa (en el sentido de las agujas del reloj). Para aflojar tornillos o para extraer una broca atascada, use la rotación inversa (en sentido contrario a las agujas del reloj).

- ◆ Para encender la herramienta en rotación directa, pulse el botón superior del interruptor de avance/retroceso (1).
- ◆ Para encender la herramienta en rotación inversa, pulse el botón inferior del interruptor de avance/retroceso (1).
- ◆ Para apagar la herramienta, suelte el interruptor.

Consejos para un uso óptimo

Taladrado

- ◆ Aplique siempre una suave presión en línea recta con la broca.
- ◆ Justo antes de que la punta de la broca atraviese la pieza de trabajo, disminuya la presión sobre la herramienta.
- ◆ Use un bloque de madera como soporte de piezas de trabajo que puedan astillarse.
- ◆ Use brocas de acero rápido para taladrar metal.
- ◆ Use un lubricante para taladrar metales distintos del hierro fundido y el latón.
- ◆ Haga una marca con un punzón de perforar en el centro del orificio que desea taladrar para mayor precisión.

Atornillado

- ◆ Use siempre el tipo y el tamaño adecuado de punta.
- ◆ Si le resulta difícil apretar los tornillos, intente aplicar una pequeña cantidad de jabón o líquido jabonoso como lubricante.
- ◆ Sujete siempre la herramienta y la punta en línea recta con el tornillo.

- ◆ Al atornillar en madera, se recomienda hacer un taladro de guía con una profundidad igual a la longitud del tornillo. Este taladro sirve de guía al tornillo e impide que la madera se astille o deforme. Para conocer el tamaño óptimo del taladro de guía, consulte la tabla siguiente.
- ◆ Al atornillar sobre madera dura, realice también un taladro de paso con una profundidad igual a la mitad de la longitud del tornillo. Para conocer el tamaño óptimo del taladro de paso, consulte la tabla siguiente.

Tamaño de tornillo	Taladro de guía (madera blanda)	Taladro de guía (madera dura)	Taladro de paso
No. 6 (3,5 mm)	2,0 mm	2,5 mm	3,6 mm
No. 8 (4 mm)	2,5 mm	3,0 mm	4,5 mm
No. 10 (5 mm)	3,0 mm	3,5 mm	5,0 mm
No. 12 (5,5 mm)	3,5 mm	4,0 mm	5,5 mm

Nota: Cuando el mecanismo de percusión se acopla, se produce un sonido de carraca. Esto es normal y no constituye ningún problema.

Accesorios

El rendimiento de la herramienta dependerá del accesorio utilizado. Los accesorios de Black & Decker y Piranha están fabricados según las más altas normas de calidad para ampliar el rendimiento de la herramienta. Utilizando estos accesorios, logrará aprovechar al máximo la herramienta.

Esta herramienta usa puntas huecas, puntas de atornillar y brocas con una espiga hexagonal de 6,35 mm (1/4"). Los accesorios Piranha Super-lok están diseñados para su uso con esta herramienta.

¡Atención! Utilice únicamente accesorios para percusión con su herramienta. Las puntas de atornillar más cortas de 50 mm no son adecuadas para su uso con esta herramienta.

Mantenimiento

Su herramienta Black & Decker está diseñada para que funcione durante un largo período de tiempo con un mantenimiento mínimo. El funcionamiento satisfactorio continuado depende de un cuidado apropiado y una limpieza periódica de la herramienta.

Su cargador no requiere ningún mantenimiento aparte de una limpieza periódica.

¡Atención! Desenchufe el cargador antes de limpiarlo.

- ◆ Limpie periódicamente las ranuras de ventilación de la herramienta y del cargador con un cepillo suave o un paño seco.

- ◆ Limpie periódicamente la carcasa del motor con un paño húmedo. No utilice ninguna sustancia limpiadora abrasiva o que contenga disolventes.

Protección del medio ambiente



Separación de desechos. Este producto no debe desecharse con la basura doméstica normal.

Si llega el momento de reemplazar su producto Black & Decker o éste ha dejado de tener utilidad para usted, no lo deseche con la basura doméstica normal. Asegúrese de que este producto se deseche por separado.



La separación de desechos de productos usados y embalajes permite que los materiales puedan reciclarse y reutilizarse. La reutilización de materiales reciclados ayuda a evitar la contaminación medioambiental y reduce la demanda de materias primas.

La normativa local puede prever la separación de desechos de productos eléctricos de uso doméstico en centros municipales de recogida de desechos o a través del distribuidor cuando adquiere un nuevo producto.

Black & Decker proporciona facilidades para la recogida y el reciclado de los productos Black & Decker que hayan llegado al final de su vida útil. Para hacer uso de este servicio, devuelva su producto a cualquier servicio técnico autorizado, que lo recogerá en nuestro nombre.

Pueden consultar la dirección de su servicio técnico más cercano poniéndose en contacto con la oficina local de Black & Decker en la dirección que se indica en este manual. Como alternativa, puede consultar en Internet la lista de servicios técnicos autorizados e información completa de nuestros servicios de posventa y contactos en la siguiente dirección:

www.2helpU.com

Baterías



Las baterías Black & Decker pueden recargarse muchas veces. Cuando se agoten, deséchelas respetando las normas de protección del entorno:

- ◆ Utilice la batería hasta que se agote por completo y luego retírela de la herramienta.
- ◆ Las baterías NiCd y NiMH son reciclables. Llévelas a cualquier servicio técnico autorizado o a un centro de reciclado.

Características técnicas

	XTC60K
Voltaje	V _{DC} 6
Velocidad sin carga	min ⁻¹ 2.100
Impacto sin carga	min ⁻¹ 5.600
Par de torsión máximo	Nm 35
Portapuntas	6,35 mm (1/4" hexagonal)
Capacidad máxima de taladrado	mm 6
Peso	kg 0,9

Cargador

Tensión de la red	V _{AC} 230
Tiempo aproximado de carga	h 6-8
Peso	kg 0,2

Declaración de conformidad CE

XTC60K

Black & Decker declara que estos productos cumplen las normas siguientes:

98/37/CE, 89/336/CEE, 73/23/CEE, EN 60745, EN 60335, EN 55014, EN 61000

L_{DA} (presión acústica) 73,7 dB(A), L_{WA} (potencia acústica) 84,7 dB(A), vibraciones soportadas en mano/brazo 1,72 m/s²

K_{DA} (incertidumbre de presión acústica) 3 dB(A),
K_{WA} (incertidumbre de potencia acústica) 3 dB(A)

Kevin Hewitt
Director de Ingeniería del Consumidor
Spennymoor, County Durham DL16 6JG,
Reino Unido
1-7-2006

Garantía

Black & Decker confía plenamente en la calidad de sus productos y ofrece una garantía extraordinaria. Esta declaración de garantía es una adición, y en ningún caso un perjuicio, a sus derechos legales. La garantía es válida dentro de los territorios de los Estados Miembros de la Unión Europea y de la Zona Europea de Libre Comercio.



Si un producto Black & Decker XT (excluidos los accesorios, acoplamientos, baterías, cargadores y portabrocas) resultara defectuoso debido a materiales o mano de obra defectuosos, o bien a falta de conformidad durante un período de 3 años desde la fecha de compra, Black & Decker garantiza la sustitución de todas las piezas defectuosas, la reparación de los productos, sujeta a un desgaste y rotura razonables, o la sustitución de tales productos siempre que éstos hayan sido registrados en el sitio web de garantía Black & Decker XT en un plazo máximo de 90 días a partir de la fecha de compra. Si el producto no se ha registrado, entonces se aplicará únicamente la garantía estándar (2 años).

La garantía no se aplica si:

- ◆ el producto ha sido utilizado con propósitos comerciales, profesionales o de alquiler;
- ◆ el producto ha sido sometido a un uso inadecuado o negligente;
- ◆ el producto ha sufrido daños causados por objetos o sustancias extrañas o accidentes;
- ◆ se han intentado reparaciones por parte de personal no autorizado;
- ◆ el producto ha sufrido adaptaciones, del modo que sea, respecto a sus especificaciones originales;
- ◆ se han utilizado accesorios o acoplamientos inadecuados.

La garantía ampliada no se aplica si:

- ◆ no se presenta prueba de compra y el certificado de garantía ampliada original.

Haga el registro on-line de su producto ahora en www.blackanddecker.es/xt para poder optar a la garantía ampliada (3 años) y estar al día sobre nuevos productos y ofertas especiales.

Para realizar reclamaciones en garantía, será necesario presentar la prueba de compra al vendedor o al servicio técnico de reparaciones autorizado. Puede consultar la dirección de su servicio técnico más cercano poniéndose en contacto con la oficina local de Black & Decker en la dirección que se indica en este manual. Como alternativa, puede consultar en Internet la lista de servicios técnicos autorizados e información completa de nuestros servicios de posventa y contactos en la siguiente dirección: www.2helpU.com

Encontrará información adicional sobre la marca Black & Decker y nuestra gama de productos en www.blackanddecker.com

Utilização

O aparafusador de percussão da Black & Decker foi projectado para aparafusar e fazer orifícios guia em madeira, metal e plástico.

O carregador Black & Decker foi desenvolvido para carregar a bateria da ferramenta com a qual ele foi fornecido.

Esta ferramenta destina-se apenas ao doméstico.

Regras gerais de segurança

Advertência! Leia todas as instruções. O não cumprimento das instruções a seguir podem causar choque eléctrico, incêndio e/ou graves lesões. O termo “ferramenta eléctrica” utilizado a seguir refere-se a ferramentas eléctricas com ligação à corrente eléctrica (com cabo) ou operadas a bateria (sem fios).

GUARDE BEM ESTAS INSTRUÇÕES.

1. Área de trabalho

a. Mantenha a sua área de trabalho limpa e arrumada.

Desordem e áreas de trabalho com fraca iluminação podem causar acidentes.

b. Não trabalhar com a ferramenta eléctrica em áreas com risco de explosão, nas quais se encontrem líquidos, gases ou pós inflamáveis.

Ferramentas eléctricas produzem faíscas que podem provocar a ignição de pó e vapores.

c. Mantenha crianças e outras pessoas afastadas da ferramenta eléctrica durante o trabalho com a ferramenta.

Distracções podem causar a falta de controlo sobre o aparelho.

2. Segurança eléctrica

a. A ficha da ferramenta eléctrica deve caber na tomada. A ficha não deve ser modificada de modo algum. Não utilize quaisquer fichas de adaptação junto com ferramentas eléctricas ligadas à terra.

Fichas sem modificações e tomadas adequadas reduzem o risco de choques eléctricos.

b. Evite que o corpo entre em contacto com superfícies ligadas à terra, como por exemplo tubos, radiadores, fogões e frigoríficos.

Há um risco elevado de choques eléctricos, caso o corpo seja ligado à terra.

c. A ferramenta eléctrica não deve ser exposta à chuva nem humidade.

A penetração de água na ferramenta eléctrica aumenta o risco de choques eléctricos.

d. Manuseie o fio com cuidado. O cabo da ferramenta não deve ser utilizado para o transporte, para pendurar a ferramenta, nem para puxar a ficha da tomada.

Mantenha o cabo afastado de calor, óleo, cantos afiados ou partes em movimento da ferramenta.

Cabos danificados ou torcidos aumentam o risco de choques eléctricos.

e. Ao trabalhar com a ferramenta eléctrica ao ar livre, use um cabo de extensão apropriado para áreas externas.

O uso de um cabo apropriado para áreas externas reduz o risco de choques eléctricos.

3. Segurança pessoal

a. Esteja alerta, observe o que está a fazer, e tenha prudência ao trabalhar com a ferramenta eléctrica. Não use a ferramenta eléctrica se estiver cansado ou sob a influência de drogas, álcool ou medicamentos.

Um momento de falta de atenção durante a operação da ferramenta eléctrica pode causar graves lesões.

b. Usar um equipamento pessoal de protecção. Utilizar sempre óculos de protecção.

Equipamento de segurança, como por exemplo, máscara de protecção contra pó, sapatos de segurança anti-derrapantes, capacete de segurança ou protecção auricular, de acordo com o tipo e aplicação da ferramenta eléctrica, reduz o risco de lesões.

c. Evite um accionamento involuntário. Assegure-se de que o interruptor está na posição de desligado antes de o ligar.

O transporte de ferramentas eléctricas com o dedo no interruptor ou a ligação das mesmas que tenham o interruptor ligado provoca acidentes.

d. Remover chaves de ajustes ou chaves de fenda, antes de ligar a ferramenta eléctrica.

Uma chave de fenda ou chave de ajuste que se encontre numa parte móvel da ferramenta, pode levar a lesões.

e. Não se sobrestime. Mantenha-se sempre bem posicionado e em equilíbrio.

Desta forma poderá ser mais fácil controlar a ferramenta em situações inesperadas.

f. Use vestuário apropriado. Não use roupa larga ou jóias. Mantenha o cabelo, roupa e luvas afastadas de partes em movimento.

Roupas largas, jóias ou cabelos longos podem ser agarradas por partes em movimento.

g. Se for prevista a montagem de dispositivos de aspiração de pó e de dispositivos de recolha, assegure-se de que estão ligados e que são utilizados de forma correcta.

A utilização destes dispositivos reduz os riscos provocados por pó.

4. Utilização e manutenção da ferramenta eléctrica

a. Não sobrecarregue a ferramenta eléctrica. Use para o seu trabalho a ferramenta eléctrica correcta.

A ferramenta correcta realizará o trabalho de forma melhor e mais segura dentro da potência indicada.

b. Não utilize a ferramenta eléctrica se o interruptor não puder ser ligado nem desligado.

Qualquer ferramenta eléctrica que não possa ser controlada através do interruptor de ligar-desligar é perigosa e deve ser reparada.

c. Desligue a ficha da tomada antes de efectuar ajustes na ferramenta, substituir acessórios ou armazenar a ferramenta eléctrica.

Esta medida de segurança evita que a ferramenta eléctrica seja ligada acidentalmente.

d. Mantenha as ferramentas eléctricas que não estiverem a ser utilizadas fora do alcance de crianças. Não permita que a ferramenta seja utilizada por pessoas não familiarizadas com a mesma ou que não tenham lido estas instruções.

As ferramentas eléctricas são perigosas se utilizadas por pessoas não qualificadas.

e. Trate a sua ferramenta eléctrica com cuidado.

Verifique se as partes móveis da ferramenta funcionam perfeitamente e não emperram, se há peças quebradas ou danificadas, que possam influenciar o funcionamento da ferramenta.

As peças danificadas devem ser reparadas antes da utilização da ferramenta.

Muitos acidentes têm como causa uma manutenção insuficiente das ferramentas eléctricas.

f. Mantenha as ferramentas de corte sempre afiadas e limpas.

Ferramentas de cortes devidamente tratadas, com cantos afiados travam com menos frequência e podem ser controladas com maior facilidade.

g. Use a ferramenta eléctrica, os acessórios e as brocas da ferramenta etc., de acordo com estas instruções e da maneira determinada para este tipo especial de ferramenta eléctrica. Considere também as condições de trabalho e o trabalho a ser efectuado.

A utilização da ferramenta eléctrica para outros fins que os previstos pode resultar em situações perigosas.

5. Utilização e manutenção da bateria

a. Assegure-se de que o interruptor está na posição de desligado antes de introduzir a ficha na tomada.

A colocação da bateria nas ferramentas eléctricas com o interruptor ligado pode causar acidentes.

b. Recarregue apenas com o carregador especificado pelo fabricante.

Um carregador que seja adequado a um tipo de bateria pode causar o risco de incêndio quando utilizado noutro tipo de bateria.

c. Utilize as ferramentas eléctricas apenas com as baterias especificamente designadas.

A utilização de outro tipo de bateria pode causar o risco de lesões ou incêndio.

d. Quando a bateria não está a ser utilizada, mantenha-a afastada de quaisquer outros objectos metálicos, como clips de papel, moedas, chaves, pregos, parafusos ou outros objectos metálicos pequenos que possam efectuar a ligação de um terminal para outro.

O contacto de ambos os terminais da bateria pode causar queimaduras ou incêndio.

e. Em condições abusivas, o líquido pode ser ejectado da bateria; evite o contacto. Caso isso aconteça, passe por água. Caso o líquido entre em contacto com os olhos, procure ajuda médica.

O líquido ejectado da bateria pode causar irritação ou queimaduras.

6. Reparação

a. A sua ferramenta eléctrica só deve ser reparada por pessoal qualificado e só devem ser colocadas peças sobressalentes originais.

Desta forma é assegurada a segurança da ferramenta eléctrica.

Instruções adicionais de segurança para berbequins de percussão

◆ **Utilize protectores auriculares com os berbequins de percussão.** A exposição ao ruído poderá provocar perda de audição.

◆ **Utilize os punhos auxiliares fornecidos com a ferramenta.** A perda de controlo da mesma pode provocar ferimentos pessoais.

Instruções adicionais de segurança para perfuradoras/aparafusadoras

◆ **Segure sempre a ferramenta pelas superfícies de pega isoladas ao efectuar trabalhos, durante os quais a ferramenta de corte possa entrar em contacto com cabos eléctricos escondidos ou com o cabo da ferramenta.** O contacto com um cabo com tensão coloca as partes metálicas da ferramenta eléctrica sob tensão, resultando em choque eléctrico.

◆ **Utilize grampos ou outra forma prática de fixar e apoiar a peça de trabalho numa plataforma estável.** Segurar a peça com a mão ou contra o corpo deixa-a instável e poderá resultar em perda de controlo.

- ◆ Antes de furar paredes, pisos ou tectos, verifique a localização de fios e canos.
- ◆ Evite tocar na ponta da broca imediatamente após perfurar, pois esta pode estar quente.

Instruções adicionais de segurança para baterias e carregadores

Baterias

- ◆ Nunca tente abrir a bateria seja qual for a razão.
- ◆ Não deixe que a bateria entre em contacto com a água.
- ◆ Não armazene em locais onde a temperatura possa exceder 40 °C.
- ◆ Carregue somente à temperatura ambiente, entre 10 °C e 40 °C.
- ◆ Carregue somente utilizando o carregador fornecido com a ferramenta.
- ◆ Quando se desfizer das baterias, siga as instruções fornecidas na secção "Protecção do meio ambiente".

Carregadores

- ◆ Utilize seu carregador Black & Decker somente para carregar as baterias do tipo fornecido com a sua ferramenta. Outras baterias poderiam explodir, causando ferimentos pessoais e estragos.
- ◆ Nunca tente carregar baterias não recarregáveis.
- ◆ Substitua os cabos defeituosos imediatamente.
- ◆ Não deixe que o carregador entre em contacto com a água.
- ◆ Não abra o carregador.
- ◆ Não submeta o carregador a testes.



O carregador destina-se apenas a ser utilizado no interior.



Leia o manual de instruções antes de utilizar.



Transformador isolado contra falhas. A fonte de alimentação está electricamente separada da saída do transformador.



O carregador desliga-se automaticamente caso a temperatura ambiente fique demasiado elevada. Em consequência, o carregador fica inoperacional. A unidade deve ser desligada da fonte de alimentação de rede e levada para ser reparada num centro de serviço autorizado.

Segurança eléctrica



O seu carregador tem duplo isolamento, não sendo, por isso, necessária uma ligação à terra. Assegure-se de que a voltagem do seu carregador corresponde com a rede de energia. Nunca tente substituir o carregador por uma tomada de energia normal.

- ◆ Este aparelho não se destina a ser utilizado por jovens nem por pessoas enfermas sem supervisão. As crianças deverão ser vigiadas para que não mexam no aparelho.
- ◆ Se o cabo de alimentação estiver danificado, deverá ser substituído pelo fabricante ou por um Centro de Assistência autorizado pela Black & Decker, de modo a evitar perigos.

Visão geral

1. Selector de reversibilidade
2. Protecção do suporte para brocas

Fig. A

3. Conector do carregador
4. Carregador
5. Ficha do carregador

Montagem

Colocar e remover uma broca, ponta de chave de caixa ou ponta de aparafusar (fig. B)

Esta ferramenta utiliza pontas de chave de caixa, pontas de aparafusar e brocas com encaixe hexagonal de 1/4" (6,35 mm).

- ◆ Puxe a protecção do suporte para brocas (2).
- ◆ Insira a broca (6) no suporte.
- ◆ Liberte a protecção do suporte para brocas.

Utilização

Carregar a bateria (fig. A)

A bateria precisa ser carregada antes da primeira utilização e sempre que falhe em produzir potência suficiente para realizar trabalhos que antes eram facilmente realizados. Quando estiver a carregar a bateria pela primeira vez, ou após armazenamento prolongado, ela aceitará somente 80% da carga. Após vários ciclos de carga e descarga, a bateria atingirá sua capacidade total. A bateria pode ficar quente enquanto estiver a carregar; isto é normal e não indica um problema.

Advertência! Não carregue a bateria a temperaturas ambientes inferiores a 4 °C ou superiores a 40 °C. A temperatura recomendada para carregar é de aproximadamente 24 °C.

- ◆ Para carregar a bateria, insira a ficha (5) do carregador no conector (3). Certifique-se de que a cabeça está direita.
- ◆ Ligue o carregador à corrente eléctrica (4).
- ◆ Deixe a ferramenta ligada ao carregador durante pelo menos 6-8 horas.

É possível que a bateria aqueça durante o processo de carregamento. Isso é normal e não indica qualquer problema. Após a utilização normal, um tempo de carregamento de 6 horas irá permitir que a ferramenta funcione a um nível de potência eficaz para efectuar a maior parte das tarefas. No entanto, um tempo de carga de cerca de 8 horas poderá aumentar significativamente o tempo de autonomia, dependendo do estado da bateria e das condições do carregamento.

- ◆ Antes de utilizar a ferramenta, retire o carregador da tomada e desligue-o da ferramenta.

Advertência! Não utilize a ferramenta enquanto ela estiver ligada ao carregador.

Furar/aparafusar (fig. C)

Para perfurar e apertar parafusos, utilize a rotação “avançar” (para a direita). Para soltar parafusos ou remover uma broca presa, utilize a rotação “inverter” (para a esquerda).

- ◆ Para ligar a ferramenta na posição de rotação para a frente, pressione o botão superior no selector de reversibilidade.
- ◆ Para ligar a ferramenta na posição de rotação para trás, pressione o botão inferior no selector de reversibilidade.
- ◆ Para desligar a ferramenta, solte o selector.

Sugestões para uma melhor utilização

Perfurar

- ◆ Aplique sempre uma leve pressão em linha recta com a broca.
- ◆ Um pouco antes de a broca atravessar a peça de trabalho, diminua a pressão sobre a ferramenta.
- ◆ Utilize uma peça de madeira como suporte para peças de trabalho que possam lascar.
- ◆ Utilize brocas de alta dureza quando perfurar em metal.
- ◆ Utilize um lubrificante quando perfurar em metais que não sejam ferro fundido e latão.
- ◆ Para um furo mais preciso, marque o centro do furo a executar utilizando um furador.

Aparafusar e desaparafusar

- ◆ Utilize sempre o tipo e tamanho correcto de ponta de aparafusar.
- ◆ Se os parafusos forem difíceis de apertar, tente aplicar uma pequena quantidade de detergente ou sabão como lubrificante.
- ◆ Segure sempre a ferramenta e a ponta de aparafusar em linha recta com o parafuso.

- ◆ Quando for aparafusar madeira, é aconselhável realizar um orifício guia que tenha a mesma profundidade que o parafuso. Esse furo guiará o parafuso e evitará que a madeira rache ou fique torcida. Para que o furo guia tenha o tamanho adequado, consulte a tabela abaixo.
- ◆ Quando for aparafusar madeira dura, efectue também um furo espaçador que tenha uma profundidade equivalente à metade do comprimento do parafuso. Para que o furo espaçador tenha o tamanho adequado, consulte a tabela abaixo.

Tamanho do parafuso	Diâmetro do furo guia (madeira mole)	Diâmetro do furo guia (madeira dura)	Furo espaçador
N.º 6 (3,5 mm)	2,0 mm	2,5 mm	3,6 mm
N.º 8 (4 mm)	2,5 mm	3,0 mm	4,5 mm
N.º 10 (5 mm)	3,0 mm	3,5 mm	5,0 mm
N.º 12 (5,5 mm)	3,5 mm	4,0 mm	5,5 mm

Nota: Quando é activado o mecanismo de impacto, é produzido um som de batida. Isso é normal e não indica qualquer problema.

Acessórios

O desempenho da sua ferramenta depende dos acessórios utilizados. Os acessórios da Black & Decker e Piranha são fabricados de acordo com os mais altos padrões de qualidade e são concebidos para melhorar o desempenho da sua ferramenta. Ao utilizar estes acessórios, poderá tirar um maior partido da sua ferramenta.

Esta ferramenta utiliza pontas de chave de caixa, pontas de aparafusar e brocas com encaixe hexagonal de 1/4" (6,35 mm). Os acessórios Piranha Super-lok foram concebidos para a utilização com esta ferramenta.

Advertência! Utilize apenas acessórios de impacto dedicados com a sua ferramenta. As pontas de aparafusar de tamanho inferior a 50 mm não são adequadas para a utilização com esta ferramenta.

Manutenção

Esta ferramenta Black & Decker foi desenvolvida para funcionar por um longo período, com um mínimo de manutenção. O funcionamento contínuo e satisfatório depende de limpeza regular e de manutenção adequada. O seu carregador não requer qualquer manutenção para além de uma limpeza regular.

Advertência! Desligue a ficha do carregador antes de o limpar.

- ◆ Limpe regularmente as fendas de ventilação na ferramenta e no carregador utilizando uma escova macia ou pano seco.
- ◆ Limpe regularmente o compartimento do motor utilizando um pano húmido. Não utilize nenhum detergente abrasivo nem à base de solvente.

Protecção do meio ambiente



Recolha em separado. Não deve deitar este produto fora juntamente com o lixo doméstico normal.

Caso chegue o momento em que um dos seus produtos Black & Decker precise de ser substituído ou decida desfazer-se do mesmo, não o deite fora juntamente com o lixo doméstico. Torne este produto disponível para uma recolha em separado.



A recolha em separado de produtos e embalagens utilizados permite que os materiais sejam reciclados e reutilizados. A reutilização de materiais reciclados ajuda a evitar a poluição ambiental e a reduzir a procura de matérias-primas.

Os regulamentos locais poderão providenciar a recolha em separado de produtos eléctricos junto das casas, em lixeiras municipais ou junto dos fornecedores ao adquirir um novo produto.

A Black & Decker oferece um serviço de recolha e reciclagem de produtos Black & Decker que tenha atingido o fim das suas vidas úteis. Para tirar proveito deste serviço, devolva seu produto a qualquer agente de reparação autorizado, que se encarregará de recolher o equipamento em nosso nome.

Para verificar a localização do agente de reparação mais próximo de si, contacte o escritório local da Black & Decker no endereço indicado neste manual. Se preferir, consulte a lista de agentes autorizados da Black & Decker e os dados completos dos nossos serviços de atendimento pós-venda na Internet no endereço: **www.2helpU.com**

Baterias



As baterias Black & Decker podem ser recarregadas inúmeras vezes. Quando atingirem o fim das suas vidas úteis, deite-as fora com o devido cuidado com o nosso meio ambiente.

- ◆ Descarregue completamente a bateria e remova-a do aparelho.

- ◆ As baterias NiCd e NiMH são recicláveis. Entregue-as em qualquer agente de reparação autorizado ou numa estação de reciclagem local.

Dados técnicos

		XTC60K
Voltagem	V_{DC}	6
Velocidade sem carga	min^{-1}	2.100
Impacto sem carga	min^{-1}	5.600
Binário máximo	Nm	35
Suporte de pontas		1/4" (6,35 mm hexagonal)
Capacidade máxima de perfuração	mm	6
Peso	kg	0,9

Carregador

Voltagem	V_{AC}	230
Tempo aproximado de carregamento	h	6-8
Peso	kg	0,2

Declaração de conformidade CE

XTC60K

A Black & Decker declara que estes produtos estão em conformidade com a:

98/37/CE, 89/336/CEE, 73/23/CEE, EN 60745, EN 60335, EN 55014, EN 61000

L_{pA} (pressão acústica) 73,7 dB(A), L_{WA} (potência acústica) 84,7 dB(A), vibração medida da mão/braço de 1,72 m/s^2

K_{pA} (imprecisão da pressão acústica) 3 dB(A),
 K_{WA} (imprecisão da potência acústica) 3 dB(A)

Kevin Hewitt
 Director de Engenharia do Consumo
 Spennymoor, County Durham DL16 6JG,
 Reino Unido
 1-7-2006

Garantia

A Black & Decker confia na qualidade dos seus produtos e oferece um programa de garantia excelente. Esta declaração de garantia soma-se aos seus direitos legais e não os prejudica em nenhum aspecto. A garantia será válida nos territórios dos Estados-Membros da União Europeia e na Zona Europeia de Comércio Livre.



Caso algum produto XT Black & Decker (excluindo acessórios, baterias, carregadores e buchas) apresente avarias devido a defeitos de material, mão-de-obra ou ausência de conformidade no prazo de 3 anos a partir da data de compra, a Black & Decker garante a substituição de todas as peças defeituosas, a reparação dos produtos que foram submetidos a uso adequado ou substituição dos mesmos, desde que o produto seja registado no website de garantia da Black & Decker no prazo de 90 dias a partir da data de compra. Caso o produto não esteja registado, apenas se aplica a garantia normal (2 anos).

A garantia não se aplica se:

- ◆ o produto tenha sido utilizado para fins comerciais, profissionais ou aluguer;
- ◆ o produto tenha sido submetido a uso incorrecto ou descuido;
- ◆ o produto tenha sofrido danos causados por objectos estranhos, substâncias ou acidentes;
- ◆ eventuais reparações tenham sido efectuadas por pessoas não autorizadas;
- ◆ as especificações originais do produto tenham sido alteradas;
- ◆ tenham sido utilizados acessórios não adequados.

A garantia alargada não se aplica se:

- ◆ não for apresentada a prova de compra e o certificado de garantia alargada.

Registe o seu produto on-line através de www.blackanddecker.pt/xt para obter a garantia alargada (3 anos) e para se manter actualizado sobre novos produtos e ofertas especiais.

Para validar a garantia, será necessário enviar a prova de compra ao revendedor ou técnico autorizado. Para verificar a localização do técnico autorizado mais próximo de si, contacte o escritório local da Black & Decker no endereço indicado neste manual. Se preferir, consulte a lista de técnicos autorizados da Black & Decker e os dados completos dos nossos serviços de atendimento pós-venda na Internet no endereço: www.2helpU.com

Estão disponíveis mais informações sobre a Black & Decker e sobre a nossa gama de produtos em www.blackanddecker.com

Användningsområde

Din slagskrummejsel från Black & Decker kan användas till skruvdragning och borring av förborringshål i trä, metall och plast.

Verktyget är endast avsett som konsumentverktyg.

Din Black & Decker laddare är avsedd för laddning av batteriet i det medföljande verktyget.

Allmänna säkerhetsregler

Varning! Samtliga anvisningar ska läsas. Fel som uppstår till följd av att anvisningarna nedan inte följts kan orsaka elchock, brand och/eller allvarliga kroppsskador. Nedan använt begrepp "Elverktyg" hänför sig till nätdrivna elverktyg (med nätsladd) och till batteridrivna elverktyg (sladdlösa).
TA VÄL VARA PÅ SÄKERHETSANVISNINGARNA.

1. Arbetsområde

a. Håll arbetsplatsen ren och välbelyst.

Oordning på arbetsplatsen och dåligt belyst arbetsområde kan leda till olyckor.

b. Använd inte elverktyget i explosionsfarlig omgivning med brännbara vätskor, gaser eller damm.

Elverktygen alstrar gnistor som kan antända dammet eller gaserna.

c. Håll under arbetet med elverktyget barn och obehöriga personer på betryggande avstånd.

Om du störs av obehöriga personer kan du förlora kontrollen över elverktyget.

2. Elektrisk säkerhet

a. Elverktygets stickpropp måste passa till vägguttaget. Stickproppen får absolut inte förändras. Använd inte adapterkontakter tillsammans med skyddsjordade elverktyg.

Oförändrade stickproppar och passande vägguttag reducerar risken för elchock.

b. Undvik kroppskontakt med jordade ytor som t. ex. rör, värmeelement, spisar och kylskåp.

Det finns en större risk för elchock om din kropp är jordad.

c. Skydda elverktyget mot regn och väta.

Tränger vatten in i ett elverktyg ökar risken för elchock.

d. Misshandla inte nätsladden. Använd inte sladden för att bära eller hänga upp elverktyget och inte heller för att dra stickproppen ur vägguttaget. Håll nätsladden på avstånd från värme, olja, skarpa kanter och rörliga maskindelar.

Skadade eller tilltrasslade sladdar ökar risken för elchock.

e. Använd när du arbetar med ett elverktyg utomhus endast förlängningssladdar som är godkända för utomhusbruk.

Om en avsedd förlängningssladd för utomhusbruk används minskar risken för elchock.

3. Personlig säkerhet

a. Var uppmärksam, se på vad du gör och använd elverktyget med förnuft. Använd inte elverktyget när du är trött eller om du är påverkad av droger, alkohol eller mediciner.

Under användning av elverktyg kan även en kort ouppmärksamhet leda till allvarliga kroppsskador.

b. Använd personlig skyddsutrustning. Bär alltid skyddsglasögon.

Den personliga skyddsutrustningen som t. ex. dammfiltermask, halkfria säkerhetsskor, hjälm eller hörselskydd – med beaktande av elverktygets modell och driftsätt – reducerar risken för kroppsskada.

c. Undvik oavsiktlig igångsättning. Kontrollera att strömbrytaren står i avstängt läge innan du kopplar elverktyget till nätet.

Det kan vara mycket farligt att bära ett elverktyg med fingret på strömbrytaren eller koppla det till nätet med strömbrytaren i till-läge.

d. Ta bort alla inställningsverktyg och skruvnycklar innan du startar elverktyget.

Ett verktyg eller en nyckel i en roterande komponent kan medföra kroppsskada.

e. Sträck dig inte för långt. Se till att du alltid har säkert fotfäste och balans.

På så sätt kan du lättare kontrollera elverktyget i oväntade situationer.

f. Bär lämpliga kläder. Bär inte löst hängande kläder eller smycken. Håll hår, kläder och handskar undan från rörliga delar.

Löst hängande kläder, smycken och långt hår kan dras in av roterande delar.

g. Vid elverktyg med dammutsugnings- och - uppsamlingsutrustning kontrollera att anordningarna är rätt monterade och används på korrekt sätt.

Dessa anordningar reducerar riskerna i samband med damm.

4. Bruk och skötsel av elverktyg

a. Överbelasta inte elverktyget. Använd rätt elverktyg för det aktuella arbetet.

Med ett lämpligt elverktyg kan du arbeta bättre och säkrare inom angivet effektområde.

b. Ett elverktyg med defekt strömbrytare får inte användas.

Ett elverktyg som inte kan kopplas till eller från är farligt och måste repareras.

c. Dra stickproppen ur vägguttaget innan inställningar utförs, tillbehörsdelar byts ut eller elverktyget ställs undan.

Denna skyddsåtgärd förhindrar oavsiktlig inkoppling av elverktyget.

- d. **Förvara elverktygen oåtkomliga för barn. Låt inte elverktyget användas av personer som inte är förtrogna med dess användning eller inte läst denna anvisning.**

Elverktygen är farliga om de används av oerfarna personer.

- e. **Sköt elverktyget omsorgsfullt. Kontrollera att rörliga komponenter fungerar felfritt och inte kärvar, att komponenter inte brustit eller skadats och inget annat föreligger som kan påverka elverktygets funktioner. Låt skadade delar repareras innan elverktyget används på nytt.**

Många olyckor orsakas av dåligt skötta elverktyg.

- f. **Håll skärverktyg skarpa och rena.**

Omsorgsfullt skötta skärverktyg med skarpa eggar fastnar inte så lätt och går lättare att styra.

- g. **Använd elverktyget, tillbehör, insatsverktyg osv. enligt dessa anvisningar och på sätt som föreskrivs för aktuell verktygsmodell. Ta hänsyn till arbetsvillkoren och arbetsmomenten.**

Används elverktyget på icke ändamålsenligt sätt kan farliga situationer uppstå.

5. Bruk och skötsel av elverktyg

- a. **Kontrollera att elverktyget är fränkopplat innan batteriet placeras.**

Insättning av batteriet i ett inkopplat elverktyg kan leda till olyckor.

- b. **Ladda batterierna endast i de laddare som tillverkaren rekommenderat.**

Om en laddare som är avsedd för en viss typ av batterier används för andra batterityper finns risk för brand.

- c. **Använd endast batterier som är avsedda för aktuellt elverktyg.**

Används andra batterier finns risk för kroppsskada och brand.

- d. **Håll gem, mynt, nycklar, spikar, skruvar och andra metallföremål på avstånd från reservbatterier för att undvika att kontaktarna kortsluts.**

Kortslutning av batteriets kontakter kan leda till brännskador eller brand.

- e. **Om batteriet används på felaktigt sätt finns risk för att vätska rinner ur batteriet. Undvik kontakt med vätskan. Vid oavsiktlig kontakt spola med vatten. Om vätska kommer i kontakt med ögonen uppsök dessutom läkare.**

Batterivätskan kan medföra hudirritation eller brännskada.

6. Service

- a. **Låt elverktyget endast repareras av kvalificerad fackpersonal och med originalreservdelar.**

Detta garanterar att elverktygets säkerhet bibehålls.

Extra säkerhetsföreskrifter för slagborrar

- ◆ **Bär örnskydd vid arbete med en slagborr.**
Bullerexponering kan orsaka hörselskador.
- ◆ **Använd hjälphandtagen som levererades med verktyget.** Kontrollförlust kan orsaka personsador.

Extra säkerhetsföreskrifter för borr/skruvdragare

- ◆ **Håll verktyget endast vid de isolerade handtagen när sågning utförs på ställen där sågklingan kan skada dolda elledningar eller egen nätsladd.** Om verktyget kommer i kontakt med en spänningsförande ledning sätts verktygets metalldelar under spänning vilket kan leda till elektriska stötar.
- ◆ **Använd klämmor eller något annat praktiskt sätt för att fästa och stödja arbetsstycket på ett stabilt underlag.** Om man håller arbetsstycket med handen eller mot kroppen blir det instabilt och man kan riskera att förlora kontrollen över det.
- ◆ Kontrollera var de elektriska ledningarna och rörledningarna är installerade innan du borrar i väggar, golv och tak.
- ◆ Rör inte borrarpspen omedelbart efter det att borrar har stannat eftersom den kan vara varm.

Tillkommande säkerhetsanvisningar för batterier och laddare

Batterier

- ◆ Försök aldrig öppna batteriet.
- ◆ Utsätt inte batteriet för vatten.
- ◆ Förvara inte batteriet i utrymmen där temperaturen kan överstiga 40°C.
- ◆ Ladda endast inom temperaturområdet 10 °C till 40°C.
- ◆ Ladda endast med laddaren som medföljer.
- ◆ När batterierna kasseras ska instruktionerna i kapitlet "Miljö" följas.

Laddare

- ◆ Använd Black & Decker-laddaren endast tillsammans med det batteri som medföljer verktyget. Andra typer av batterier kan explodera och förorsaka person- och materialsador.
- ◆ Försök aldrig ladda icke-uppladdningsbara batterier.
- ◆ Byt genast ut skadade sladdar.
- ◆ Utsätt inte laddaren för vatten.
- ◆ Öppna inte laddaren.
- ◆ Gör ingen åverkan på laddaren.



Laddaren är endast avsedd för inomhusanvändning.



Läs bruksanvisningen före bruk.



Felsäker isolertransformator. Nätströmmen är elektriskt separerad från transformatorutgången.



Laddaren stängs automatiskt av om omgivningstemperaturen är för hög. I så fall går laddaren inte längre att använda. Apparaten måste kopplas lös från elnätet och lämnas in hos en auktoriserad servicepunkt för reparation.

Elektrisk säkerhet



Laddaren är dubbelisolerad; jordledare är således överflödigt. Kontrollera att laddarens spänning överensstämmer med nätspänningen. Försök aldrig att ersätta laddningsenheten med en vanlig nätkontakt.

- ◆ Ungdomar eller personer med svag hälsa får inte använda verktyget utan tillsyn. Håll uppsyn så att inga barn leker med apparaten.
- ◆ Om nätsladden är skadad måste den bytas ut av tillverkaren eller en godkänd Black & Decker serviceverkstad för att undvika risker.

Översikt

1. Riktningssomkopplare
2. Bitshållarkrage

Fig. A

3. Anslutning för laddaren
4. Laddare
5. Laddarkontakt

Montering

Isättning och borttagning av borr, hylsdragarbits eller skruvbits (fig. B)

Detta verktyg används med hylsdragarbits, skruvbits och borr med 1/4" (6,35 mm) sexkantsskaft.

- ◆ Drag bitshållarens krage (2) bakåt.
- ◆ Sätt bitsskaftet (6) i hållaren.
- ◆ Släpp kragen.

Användning

Laddning av batteriet (fig. A)

Batteriet måste laddas innan det används första gången och alltid när verktyget inte längre fungerar effektivt. När batteriet laddas första gången eller efter en längre tids förvaring är laddningskapaciteten endast 80%.

Efter flera uppladdnings- och urladdningscyklar uppnår batteriet full kapacitet. Batteriet kan bli varmt under laddningen; detta är en normal företeelse och indikerar inte något fel.

Varning! Ladda inte batteriet om lufttemperaturen är lägre än 4 °C eller högre än 40 °C. Rekommenderad temperatur vid laddning är cirka 24 °C.

- ◆ Ladda batteriet genom att sätta laddarens kontakt (5) i anslutningen (3). Kontrollera att huvudet står rakt.
- ◆ Nätanslut laddaren (4).
- ◆ Låt verktyget vara anslutet till laddaren i 6-8 timmar. Laddaren kan surra och bli varm under laddningen. Detta är normalt och innebär inte något fel.
- ◆ Vanligen har verktyget efter 6 timmars laddning tillräcklig kraft för att utföra de flesta arbeten. Emellertid kan en längre laddningstid, upp till 8 timmar, öka driftstiden avsevärt, beroende på batteriet och laddningsförhållandena.
- ◆ Koppla lös verktyget från laddaren och laddaren från nätet innan verktyget används.

Varning! Använd inte verktyget medan det är kopplat till laddaren.

Borning och skruvdragnig (fig. C)

När du borrar och drar i skruvar ska verktyget rotera framåt (medurs). För att dra ur skruvar eller lossa ett borr som har kört fast, används rotation bakåt (moturs).

- ◆ För att starta verktyget framåt trycker du på den övre knappen på framåt-/bakåtreglaget (1).
- ◆ För att starta verktyget bakåt trycker du på den undre knappen på framåt-/bakåtreglaget (1).
- ◆ Släpp reglaget för att stänga av verktyget.

Råd för bästa resultat

Borning

- ◆ Utöva alltid ett lätt tryck i borrets längdriktning.
- ◆ Reducera trycket ytterligare strax innan borrarpspetsen tränger ut ur arbetsstyckets andra sida.
- ◆ Använd en träbit under arbetsstycket för att undvika att arbetsstycket spricker.
- ◆ Använd HSS-borr vid borring i metall.
- ◆ Använd smörjmedel vid borring i andra metaller än gjutjärn och mässing.
- ◆ För bättre precision bör du slå ett kärnslag i mitten av hålet som skall borrar.

Skruvdragnig

- ◆ Använd alltid rätt typ och storlek på bitset.

- ◆ Om det är svårt att dra åt skruven kan lite flytande tvättmedel eller tvål anbringas som smörjmedel.
- ◆ Håll alltid verktyget och bitset i rak linje med skruven.
- ◆ När man skruvar i trä är det alltid bäst att först borra upp ett förborrningshål som är lika djupt som skruven är lång. Ett förborrningshål leder skruven rakt och förebygger att träet spricker eller skadas. Se nedanstående tabell.
- ◆ När man skruvar i hårt träslag är det alltid bäst att först borra upp ett förborrningshål som är lika djupt som halva skruvlängden. Se nedanstående tabell.

Skruvstorlek	Förborrnings- hål \emptyset (mjukt träslag)	Förborrnings- hål \emptyset (hårt träslag)	Förborrnings- hål
Nr. 6 (3,5 mm)	2,0 mm	2,5 mm	3,6 mm
Nr. 8 (4 mm)	2,5 mm	3,0 mm	4,5 mm
Nr. 10 (5 mm)	3,0 mm	3,5 mm	5,0 mm
Nr. 12 (5,5 mm)	3,5 mm	4,0 mm	5,5 mm

Obs: När slagmekanismen kopplas in uppstår ett ihakande ljud. Det är normalt och tyder inte på något problem.

Tillbehör

Verktygets användningsområde beror på vilket tillbehör du väljer. Black & Decker- och Piranha-tillbehören är av hög kvalitet. Genom att använda dessa tillbehör kan du få ut mesta möjliga av verktyget.

Detta verktyg används med hylsdragarbits, skruvbits och borr med 1/4" (6,35 mm) sexkantsskaft. Piranha Super-lok tillbehör är avsedda för det här verktyget.

Varning! Använd bara tillbehör som bara är avsedda för slagändamål. Skruvbits som är kortare än 50 mm passar inte till detta verktyg.

Underhåll

Ditt Black & Decker verktyg har tillverkats för att fungera under lång tid med ett minimum av underhåll. Med rätt underhåll och regelbunden rengöring behåller verktyget sina prestanda. Laddaren behöver inget underhåll förutom regelbunden rengöring.

Varning! Tag ur laddarkontakten före rengöring.

- ◆ Rengör ventilationsöppningarna på verktyget och laddaren regelbundet med en mjuk borste eller torr trasa.
- ◆ Rengör kåpan regelbundet med en fuktig trasa. Använd aldrig rengöringsmedel med lösnings- eller slipmedel.

Miljöskydd



Särskild insamling. Denna produkt får inte kastas bland vanliga hushållssopor.

Om du någon gång i framtiden behöver ersätta din Black & Decker-produkt med en ny, eller inte längre behöver den, ska du inte kasta den i hushållssoporna. Denna produkt skall lämnas till särskild insamling.



Efter insamling av använda produkter och förpackningsmaterial kan materialen återvinnas och användas på nytt. Användning av återvunna material skonar miljön och minskar förbrukningen av råvaror.

Enligt lokal lagstiftning kan det förekomma särskilda insamlingar av uttjänt elutrustning från hushåll, antingen vid kommunala miljöstationer eller hos detaljhandlaren när du köper en ny produkt.

Black & Decker erbjuder en samlings- och återvinningstjänst för Black & Decker-produkter när de en gång har tjänat ut. För att använda den här tjänsten lämnar du in produkten till en auktoriserad B & D –reparatör/representant som tar hand om den för din räkning.

Närmaste auktoriserad Black & Decker-representant finner du genom det lokala Black & Decker-kontoret på adressen i den här manualen. Annars kan du söka på Internet, på listan över auktoriserade Black & Decker-representanter och alla uppgifter om vår kundservice och andra kontakter.

www.2helpU.com

Batterier



Black & Decker-batterierna kan laddas många gånger. Skydda miljön genom att lämna uttjänta batterier till avsedd uppsamlingsplats.

- ◆ Låt batteriet laddas ur helt och ta sedan bort det från verktyget.
- ◆ NiCd- och NiMH-batterier kan återvinnas. Lämna dem till inköpsstället eller den lokala återvinningsstationen.

Tekniska data

		XTC60K
Spänning	V_{DC}	6
Obelastad hastighet	min^{-1}	2.100
Obelastad slag	min^{-1}	5.600
Max. vridmoment	Nm	35
Bitshållare		1/4" (6,35 mm sekskant)
Maximal borrkapacitet	mm	6
Vikt	kg	0,9

Laddare

Spänning	V_{AC}	230
Laddningstid cirka	tim	6-8
Vikt	kg	0,2

EC-förklaring om överensstämmelse

XTC60K

Black & Decker förklarar att dessa produkter överensstämmer med:

98/37/EG, 89/336/EEG, 73/23/EEG, EN 60745, EN 60335, EN 55014, EN 61000

L_{pA} (bullertryck) 73,7 dB(A), L_{WA} (akustisk effekt) 84,7 dB(A),
vägt geometriskt vibrationsvärde hand/arm 1,72 m/s^2

K_{pA} (osäkerhet bullertryck) 3 dB(A),

K_{WA} (osäkerhet akustisk effekt) 3 dB(A)



Kevin Hewitt
Director of Consumer Engineering
Spennymoor, County Durham DL16 6JG,
Storbritannien
1-7-2006

Garanti

Black & Decker lutar på sina produkters kvalitet och erbjuder en utomordentlig garanti. Denna garanti erbjuds jämte dina lagstadgade rättigheter och påverkar inte dessa.

Garantin gäller inom EU:s och EFTA:s medlemsstater.



Om en Black & Decker XT produkt (exklusive tillbehör, tillsatser, batterier, laddare och chuck) blir defekt på grund av felaktiga material, felaktig tillverkning eller brist på konformitet inom 3 år från och med inköpsdatum, garanterar Black & Decker att man byter ut alla defekta delar, reparerar produkter som utsatts för skäligen slitage eller byter ut produkter under förutsättning att produkten är registrerad på garantiwebbplatsen för Black & Decker XT inom 90 dagar efter inköp. Om produkten inte är registrerad gäller endast standardgarantin (2 år).

Denna garanti gäller inte om:

- Produkten har använts professionellt eller för uthyrning;
- Produkten har varit föremål för felaktig användning eller försumelse;
- Produkten har skadats av främmande föremål, ämnen eller olyckor;
- Försök till reparationer har gjorts av obehöriga personer;
- Produkten har modifierats på något sätt från dess ursprungliga specifikation;
- Olämpliga tillbehör eller tillsatser har använts.

Den utökade garantin gäller inte om:

- Inköpsbevis och ursprungligt garantibevis inte kan visas.

Registrera din produkt online nu på

www.blackanddecker.se/xt för att få den utökade garantin (3 år) samt för att erhålla information om nya produkter och specialerbjudanden.

För att göra anspråk på garantin måste du kunna visa inköpsbevis för återförsäljare eller auktoriserad reparatör. Närmaste auktoriserade Black & Decker-representant finner du genom det lokala Black & Decker-kontoret på adressen i den här manualen. Annars kan du söka på Internet, på listan över auktoriserade Black & Decker-representanter och alla uppgifter om vår kundservice och andra kontakter.

www.2helpU.com

Vidare information om märket Black & Decker och vårt produktsortiment kan återfinnas på

www.blackanddecker.se

Bruksområder

Din Black & Decker slagdrill/skrutrekker er utformet for skruing og boring av pilothull i tre, metall og plast.

Verktøyet er tiltenkt kun som konsumentverktøy.

Din Black & Decker lader er konstruert for å lade opp batteriet i verktøyet.

Generelle sikkerhetsforskrifter

Advarsel! Les gjennom alle anvisningene. Hvis anvisningene nedenfor ikke overholdes, kan det medføre elektrisk støt, brann og/eller alvorlige skader. Uttrykket «elektroverktøy» i alle advarslene nedenfor gjelder for strømdrevne elektroverktøy (med ledning) og batteridrevne elektroverktøy (uten ledning).

TA GODT VARE PÅ DISSE ANVISNINGENE.

1. Arbeidsplassen

a. Hold arbeidsområdet rent og godt opplyst.

Rotete arbeidsområder og arbeidsområder uten godt lys kan føre til ulykker.

b. Ikke arbeid med elektroverktøy i eksplosjonsfarlige omgivelser – der det befinner seg brennbare væsker, gass eller støv.

Elektroverktøy forårsaker gnister som kan antenne støv eller damper.

c. Hold barn og andre personer unna når elektroverktøyet brukes.

Hvis du blir forstyrret under arbeidet, kan du miste kontrollen.

2. Elektrisk sikkerhet

a. Støpselet til elektroverktøyet må passe inn i stikkkontakten. Støpselet må ikke forandres på noen som helst måte. Ikke bruk adapterstøpsler sammen med jordete elektroverktøy.

Bruk av originale støpsler og passende stikkontakter reduserer risikoen for elektrisk støt.

b. Unngå kroppskontakt med jordete overflater som rør, radiatorer, komfyrer og kjøleskap.

Det er større fare for elektrisk støt hvis kroppen din er jordet.

c. Hold elektroverktøy unna regn eller fuktighet.

Dersom det kommer vann i et elektroverktøy, øker risikoen for elektrisk støt.

d. Unngå uforvarlig behandling av ledningen. Elektroverktøyet må aldri bæres eller trekkes etter ledningen, og trekk heller ikke ut støpselet ved å rykke i ledningen. Hold ledningen unna varme, olje, skarpe kanter eller bevegelige deler.

Med skadde eller sammenflokete ledninger øker risikoen for elektrisk støt.

e. Når du arbeider utendørs med et elektroverktøy, må du kun bruke en skjøteledning som er godkjent til utendørs bruk.

Ved å bruke en skjøteledning som er egnet for utendørs bruk, reduseres risikoen for elektrisk støt.

3. Personikkerhet

a. Vær oppmerksom, pass på hva du gjør og gå fornuftig fram når du arbeider med et elektroverktøy. Ikke bruk elektroverktøy når du er trett eller er påvirket av narkotika, alkohol eller medikamenter.

Et øyeblikks uoppmerksomhet under bruk av verktøyet kan føre til alvorlige personskader.

b. Bruk personlig verneutstyr. Bruk alltid vernebriller.

Bruk av personlig verneutstyr, for eksempel støvmaske, sklislire vernesko, hjelm eller hørselsvern som passer til forholdene, reduserer risikoen for personskader.

c. Unngå utilsikket start av elektroverktøyet. Påse at bryteren står i posisjon "AV" før verktøyet koples til.

Det kan føre til ulykker hvis du bærer elektroverktøyet med fingeren på bryteren, eller kopler til verktøyet når bryteren ikke står i posisjon "AV".

d. Fjern innstillingsverktøy eller skrunøkler før du slår på elektroverktøyet.

Et verktøy eller en nøkkel som befinner seg i en roterende del, kan føre til personskade.

e. Ikke strekk deg for langt. Pass på at du alltid har sikkert fotfeste og god balanse.

Da kan du kontrollere elektroverktøyet bedre i uventede situasjoner.

f. Bruk alltid egnede klær. Ikke bruk løstsittende klær eller smykker. Hold hår, klær og hansker unna bevegelige deler.

Løstsittende tøy, smykker eller langt hår kan komme inn i bevegelige deler.

g. Hvis det kan monteres støvavsug- og oppsamlingsinnretninger, må du forvise deg om at disse er tilkoblet og brukes på korrekt måte.

Bruk av disse innretningene reduserer farer i forbindelse med støv.

4. Aktsom håndtering og bruk av elektroverktøy

a. Ikke bruk makt på elektroverktøyet. Bruk et elektroverktøy som er beregnet på den type arbeid du vil utføre.

Med et passende elektroverktøy arbeider du bedre og sikrere i det angitte effektområdet.

b. Ikke bruk elektroverktøy med defekt strømbryter.

Et elektroverktøy som ikke lenger kan slås av eller på med bryteren, er farlig og må repareres.

c. Trekk støpselet ut av stikkkontakten før du utfører innstillinger på elektroverktøyet, skifter tilbehørsdeler eller legger elektroverktøyet bort.

Disse tiltakene reduserer risikoen for en utilsikket start av elektroverktøyet.

- d. **Elektroverktøy som ikke er i bruk, må oppbevares utilgjengelig for barn. Ikke la verktøyet brukes av personer som ikke er fortrolig med dette, eller som ikke har lest disse bruksanvisningene.**

Elektroverktøy er farlige når de brukes av uerfarne personer.

- e. **Vær nøye med vedlikehold av elektroverktøy. Kontroller om bevegelige deler fungerer feilfritt og ikke klemmes fast, om deler er brukket eller skadet og andre forhold som kan innvirke på elektroverktøyet funksjon. Hvis elektroverktøyet er skadet, må det repareres før bruk.**

Dårlig vedlikeholdte elektroverktøy er årsaken til mange uhell.

- f. **Hold skjæreverktøy skarpe og rene.**
Godt vedlikeholdte skjæreverktøy med skarpe egger setter seg ikke så ofte fast og er lettere å føre.
- g. **Bruk elektroverktøy, tilbehør, bits osv. i henhold til disse anvisningene og slik det er foreskrevet for denne spesielle verktøytypen. Ta hensyn til arbeidsforholdene og arbeidet som skal utføres.**

Bruk av elektroverktøy til andre formål enn det som er angitt, kan føre til farlige situasjoner.

5. Aktsom håndtering og bruk av oppladbare elektroverktøy

- a. **Sørg for at verktøy er slått av før du setter i batteriet.**

Hvis du setter batteriet i et elektroverktøy som er slått av, kan dette medføre uhell.

- b. **Lad batteriet kun opp i laderen som er anbefalt av produsenten.**

Det oppstår brannfare hvis en lader som er egnet til en bestemt type batterier, brukes med andre batterier.

- c. **Bruk kun riktig type batterier for elektroverktøyene.**

Bruk av andre batterier kan medføre skader og brannfare.

- d. **Hold batterier som ikke er i bruk, unna binders, mynter, nøkler, spikre, skruer eller andre mindre metallgjenstander som kan lage en forbindelse mellom kontaktene.**

En kortslutning mellom batterikontaktene kan føre til forbrenninger eller brann.

- e. **Ved feilaktig bruk kan det lekke væske ut av batteriet. Unngå kontakt med denne væsken. Ved tilfeldig kontakt må det skylles med vann. Hvis det kommer væske i øynene, må du i tillegg oppsøke lege.**

Batterivæske som renner ut, kan føre til hudirritasjoner eller forbrenninger.

6. Service

- a. **Elektroverktøyet ditt skal alltid repareres av kvalifisert personell og kun med originale reservedeler.**

Dette forsikrer at elektroverktøyet sikkerhet opprettholdes.

Ekstra sikkerhetsinstruksjoner for slagbor

- ◆ **Bruk hørselvern når du bruker slagbor.** Hvis du utsettes for støy, kan du miste hørselen.
- ◆ **Bruk ekstrahåndtakene som følger med verktøyet.** Hvis du mister kontrollen, kan det oppstå personskade.

Ekstra sikkerhetsinstruksjoner for bore- og skrutiltsatsen

- ◆ **Hold elektriske verktøy i de isolerte gripeflatene når du utfører arbeid der skjæreverktøyet kan komme i kontakt med skjulte ledninger eller sin egen kabel.** Kontakt med en strømførende kabel vil gjøre verktøyets metalldele strømførende og gi operatøren støt.
- ◆ **Bruk klemmer eller en annen praktisk måte for å feste arbeidsemnet til et stabilt underlag.** Arbeidsemnet blir ustabil og du mister kontroll dersom du holder det i hånden eller inn mot kroppen.
- ◆ Før drilling i vegger, gulv eller tak, må du undersøke hvor ledninger og rør befinner seg.
- ◆ Unngå å røre borspissen rett etter at du har boret, da den kan være varm.

Ekstra sikkerhetsforskrifter for batterier og ladere

Batterier

- ◆ Må aldri åpnes.
- ◆ Batteriet må ikke komme i kontakt med vann.
- ◆ Må ikke oppbevares på steder hvor temperaturen kan overstige 40 °C.
- ◆ Må bare lades i lufttemperaturer mellom 10 °C og 40 °C.
- ◆ Må bare lades med laderen som følger med verktøyet.
- ◆ Når du kasserer batteriet, følger du instruksene som er gitt i avsnittet "Miljø".

Ladere

- ◆ Bruk din Black & Decker lader kun sammen med det batteriet som blir levert med verktøyet. Andre typer batterier kan eksplodere og forårsake person- og materialskader.
- ◆ Forsøk aldri å lade ikke-oppladbare batterier.
- ◆ Bytt straks ut defekte ledninger.
- ◆ Laderen må ikke komme i kontakt med vann.
- ◆ Laderen må ikke åpnes.
- ◆ Ikke undersøk laderen på egenhånd.



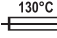
Laderen er kun beregnet på innendørs bruk.



Les instruksjonshåndboken før bruk.



Feilsikker skilletransformator. Nettstrømforsyningen er elektrisk adskilt fra transformatorens utgang.

 Laderen slås automatisk av hvis omgivelsestemperaturen blir for høy. Følgelig vil det ikke være mulig å bruke laderen. Enheten må kobles fra strømmettet og leveres inn til reparasjon i et autorisert servicesenter.

Elektrisk sikkerhet



Laderen er dobbeltisolert. Jordet ledning er derfor ikke nødvendig. Kontroller at spenningen til laderen tilsvarer nettspenningen. Du må aldri forsøke å bytte laderen ut med et vanlig støpsel.

- ◆ Dette apparatet er ikke beregnet for bruk av unge eller uerfarne personer uten tilsyn. Barn må ha tilsyn for å sikre at de ikke leker med apparatet.
- ◆ Hvis strømledningen skades, må den skiftes ut av fabrikanten eller et autorisert Black & Decker servicesenter for å unngå fare.

Oversikt

1. Bryter for høyre-/venstregange
2. Bitsholder

Fig. A

3. Tilslutning for lader
4. Lader
5. Laderstøpsel

Montering

Sette på og ta av bor og bits (fig. B)

Dette verktøyet bruker bits, skrutrekkerbits og bor med 1/4" (6,35 mm) sekskantskaft.

- ◆ Trekk bitholderen (2) tilbake.
- ◆ Sett bitsskaftet (6) inn i holderen.
- ◆ Utløs bitsholderen.

Bruk

Lading av batteriet (fig. A)

Batteriet må lades før første gangs bruk og alltid når verktøyet ikke lenger fungerer effektivt. Når batteriet lades for første gang, eller etter at det ikke har vært brukt i en periode, er ladekapasiteten kun 80%. Etter flere ladings- og utladingsperioder, vil batteriet oppnå full kapasitet. Batteriet kan bli varmt mens det lades; dette er normalt og indikerer ikke at noe er feil.

Advarsel! Lad ikke batteriet hvis lufttemperaturen er under 4 °C eller over 40 °C. Anbefalt ladingstemperatur: ca. 24 °C.

- ◆ Når batteriet skal lades, kople du laderstøpslet (5) i tilslutningen (3). Pass på at verktøydelen står i rett stilling.
- ◆ Koble laderen (4) til stikkkontakten.
- ◆ La verktøyet stå i laderen i 6-8 timer.

Laderen kan begynne å summe og bli varm under lading. Dette er normalt og betyr ikke at noe er feil.

Stort sett vil 6 timers lading gi verktøyet nok kraft til de fleste oppgaver. Lengre ladetid, på opptil 8 timer, kan øke brukstiden betydelig, avhengig av batteriet og ladeforholdene.

- ◆ Før du bruker verktøyet, kople du laderen fra både nettet og verktøyet.

Advarsel! Ikke bruk verktøyet mens det er koplet til laderen.

Boring/skruing (fig. C)

Til drilling og tilstrømming av skruer skal verktøyet rotere forover (med klokken). For å løsne skruer eller fjerne en blokkert drillbit bruker du rotasjon bakover (mot klokken).

- ◆ Slå verktøyet på med høyrotasjon ved å trykke på den øvre knappen på bryteren for høyre/venstre-gange (1).
- ◆ Slå verktøyet på med venstrotasjon ved å trykke på den nedre knappen på bryteren for høyre/venstre-gange (1).
- ◆ Slipp strømbryteren for å stanse verktøyet.

Råd for optimalt resultat

Boring

- ◆ Boret skal trykkes lett og rett mot arbeidsstykket.
- ◆ Like før boret bryter gjennom på den andre siden av arbeidsstykket, slipper du trykket litt.
- ◆ Bruk en trebit under arbeidsstykket for å unngå at arbeidsstykket splintres.
- ◆ Bruk HSS-bor når du borer i metall.
- ◆ Bruk smøremiddel når du borer i annet metall enn støpejern og messing.
- ◆ For bedre presisjon: lag en fordypning med en kjerne i midten av hullet som skal bores.

Skruing

- ◆ Bruk alltid riktig type og størrelse på skrutrekkerkronen.
- ◆ Hvis det er vanskelig å stramme skruene, kan du forsøke å bruke litt flytende vaskemiddel eller såpe som smøremiddel.
- ◆ Hold alltid verktøyet og skrutrekkerkronen i rett linje med skruen.
- ◆ Når du skrur i tre, bør du bore et forborhull med samme dybde som skruen er lang. Hullet leder inn skruen og forhindrer oppsplintring eller skjev innsetting. Du finner optimal størrelse på forborhullet i tabellen nedenfor.
- ◆ Når du skrur i hardt tre, borer du også et forborhull med samme dybde som halve skruelengden. Du finner optimal størrelse på forborhull i tabellen nedenfor.

Skruestørrelse	Forborhull Ø (mykt tre)	Forborhull Ø (hardt tre)	Forborhull Ø
Nr. 6 (3,5 mm)	2,0 mm	2,5 mm	3,6 mm
Nr. 8 (4 mm)	2,5 mm	3,0 mm	4,5 mm
Nr. 10 (5mm)	3,0 mm	3,5 mm	5,0 mm
Nr. 12 (5,5 mm)	3,5 mm	4,0 mm	5,5 mm

Merk: Når slagmekanismen aktiveres, høres en kraftig klinkelyd. Dette er normalt og betyr ikke at noe er feil.

Tilbehør

Verktøyet bruksområde er avhengig av hvilket tilbehør du velger. Tilbehør fra Black & Decker og Piranha er utformet i henhold til høye kvalitetsstandarder og er utformet for å gi optimal ytelse ved bruk sammen med ditt verktøy. Når du bruker dette tilbehøret, får du optimal ytelse fra ditt verktøy.

Dette verktøyet bruker bits, skrutrekkerbits og bor med 1/4" (6,35 mm) sekskantskaft. Piranha Super-lok tilbehør er utformet for bruk med dette verktøyet.

Advarsel! Bruk kun dedikerte slagtilbehør til verktøyet. Skrutrekkerbits som er kortere enn 50 mm passer ikke med dette verktøyet.

Vedlikehold

Ditt Black & Decker-verktøy er konstruert for å være i drift over en lang periode med et minimum av vedlikehold. Det er avhengig av godt vedlikehold og regelmessig rengjøring for å fungere som det skal til enhver tid.

Laderen din behøver ikke annet vedlikehold enn at den rengjøres med jevne mellomrom.

Advarsel! Trekk ut kontakten før du rengjør laderen.

- ◆ Rengjør ventilasjonsslissene på verktøyet og laderen regelmessig med en myk børste eller en tørr klut.
- ◆ Rengjør motorhuset regelmessig med en fuktig klut. Ikke bruk slipende eller løsemiddelbaserte rengjøringsmidler.

Miljøvern



Kildesortering. Dette produktet må ikke kastes i det vanlige husholdningsavfallet.

Hvis du finner ut at Black & Decker-produktet ditt må skiftes ut, eller hvis du ikke lenger har bruk for det, må du unnlate å kaste det sammen med det vanlige husholdningsavfallet. Sørg for at dette produktet gjøres tilgjengelig for kildesortering.



Kildesortering av brukte produkter og emballasje gjør det mulig å resirkulere materialer og bruke dem igjen. Gjenbruk av resirkulerte materialer bidrar til å forhindre forurensning av miljøet og reduserer behovet for råmaterialer.

Lokale regelverk kan legge tilrette for kildesortering av elektriske produkter fra husholdningen, ved kommunale deponier eller gjennom forhandleren når du kjøper et nytt produkt.

Black & Decker har tilrettelagt for innsamling og resirkulering av Black & Decker-produkter etter at de har utspilt sin rolle. Ønsker du å benytte deg av denne tjenesten, returnerer du produktet ditt til et autorisert serviceverksted, som tar det imot og formidler det videre.

Du kan få adressen til ditt nærmeste autoriserte serviceverksted ved å kontakte ditt lokale Black & Decker-kontor på adressen oppgitt i denne håndboken. Du kan også finne en komplett liste over autoriserte Black & Decker-serviceverksteder og utfyllende informasjon om vår etter salg-service og kontaktnumre på Internett på følgende adresse:

www.2helpU.com

Batterier



Black & Decker-batterier kan lades mange ganger. Beskytt miljøet ved å levere kasserte batteriet til kildesortering:

- ◆ Kjør batteriet til det er helt flatt og ta det så ut av verktøyet.
- ◆ NiCd- og NiMH-batterier kan resirkuleres. Ta dem med til en hvilken som helst autorisert forhandler eller en lokal kildesorteringsstasjon.

Tekniske data

	XTC60K
Spenning	V_{DC} 6
Hastighet ubelastet	min^{-1} 2.100
Hastighet ubelastet	min^{-1} 5.600
Maks. dreiemoment	Nm 35
Borkroneholder	1/4" tomme (6,35 mm sekskant)
Maks. borekapasitet	mm 6
Vekt	kg 0,9

Lader

Spenning	V_{AC} 230
Ladetid, ca	timer 6-8
Vekt	kg 0,2

Samsvarserklæring for EU

XTC60K

Black & Decker erklærer at disse produktene overholder:
98/37/EF, 89/336/EØF, 73/23/EØF, EN 60745, EN 60335,
EN 55014, EN 61000

L_{PA} (lydtrykk) 73,7 dB(A), L_{WA} (akustisk effekt) 84,7 dB(A),
hånd/arm-vektet vibrasjon 1,72 m/s²

K_{PA} (lydtrykksusikkerhet) 3 dB(A),
 K_{WA} (usikkerhet i akustisk effekt) 3 dB(A)



Kevin Hewitt
Adm. dir. for forbrukerteknikk
Spennymoor, County Durham DL16 6JG,
Storbritannia
1-7-2006

Reservdeler / reparasjoner

Reservdeler kan kjøpes hos autoriserte Black & Decker serviceverksteder, som også gir kostnadsoverslag og reparerer våre produkter.

Oversikt over våre autoriserte serviceverksteder finnes på Internet, vår hjemmeside www.blackanddecker.no samt www.2helpU.com

Garanti

Black & Decker innestår for kvaliteten på sine produkter og tilbyr en utmerket garanti. Denne garantierklæringen kommer i tillegg til dine lovfestede rettigheter og begrenser ikke disse på noen måte. Garantien gjelder innenfor grensene til medlemsstatene i Den europeiske union (EU) og Det europeiske frihandelsforbund (EFTA).



Hvis et Black & Decker XT-produkt (unntatt tilbehør, tilbehørsdeler, batterier, ladere og chucker) skulle bli skadet på grunn av materialfeil, produksjonsfeil eller manglende samsvar innen 3 år etter anskaffelse, garanterer Black & Decker at de vil bytte ut alle skadde deler, reparere produkter utsatt for normal slitasje eller bytte ut slike produkter, forutsatt at produktet er registrert via nettsidene til Black & Deckers XT-garanti innen 90 dager etter anskaffelse. Hvis produktet ikke er registrert, gjelder kun den ordinære garantien (2 år).

Garantien gjelder ikke hvis:

- ◆ Produktet har vært videresolgt, brukt profesjonelt eller leid ut;
- ◆ Produktet har vært utsatt for feil bruk eller mislighold;

- ◆ Produktet har lidd skade på grunn av fremmedlegemer, -stoffer eller ulykker;
- ◆ Reparasjoner er utført av uautorisert personell;
- ◆ Produktet på en eller annen måte er modifisert i forhold til originalspesifikasjonene;
- ◆ Det er brukt uegnet tilbehør eller uegnede tilbehørsdeler.

Den utvidete garantien gjelder ikke hvis:

- ◆ Kvittering og originalt garantibevis for utvidet garanti ikke kan legges fram.

Stikk innom våre nettsider på www.blackanddecker.no/xt og registrer produktet ditt for den utvidete garantien (3 år) og for å bli oppdatert om nye produkter og spesialtilbud.

For å benytte deg av garantien må du kunne legge fram kvittering for selger eller autorisert serviceverksted. Du kan få adressen til ditt nærmeste autoriserte serviceverksted ved å kontakte ditt lokale Black & Decker-kontor på adressen oppgitt i denne håndboken. Du kan også finne en komplett liste over autoriserte Black & Decker-serviceverksteder og utfyllende informasjon om vår ettersalgsservice og kontaktnumre på Internett på følgende adresse: www.2helpU.com

Du finner mer informasjon om Black & Decker og produktutvalget på www.blackanddecker.no

Anvendelsesområde

Din Black & Decker slagboremaskine/skruetrækker er designet til bore- og skruetopgaver i træ, metal og plastik.

Værktøjet er kun beregnet til privat brug.

Din Black & Decker oplader er designet til opladning af batteriet til det værktøj, som den leveres sammen med.

Generelle sikkerhedsregler

Advarsel! Læs alle instrukserne. Hvis nedenstående instrukser ikke følges, er der risiko for elektrisk stød, brand og/eller alvorlige personskader. Det benyttede begreb "el-værktøj" i nedennævnte advarsler refererer til netdrevne (med tilslutningsledning) eller batteridrevne maskiner (uden tilslutningsledning).

DISSE INSTRUKSER BØR OPBEVARES TIL SENERE BRUG.

1. Arbejdsområde

- Sørg for, at arbejdsområdet er rent og ryddeligt.**
Uordentlige og uoplyste arbejdsområder øger faren for uheld.
- Brug ikke el-værktøj i eksplosionstruede omgivelser, f.eks. hvor der er brændbare væsker, gasser eller støv.**
El-værktøj kan slå gnister, der kan antænde støv eller dampe.
- Sørg for, at børn og andre personer holder sig på afstand, når el-værktøjet er i brug.**
Hvis man distraheres, kan man miste kontrollen over maskinen.

2. El-sikkerhed

- El-værktøjsstik skal passe til kontakten. Stikket må under ingen omstændigheder ændres. Brug ikke adapterstik sammen med jordforbundet el-værktøj.**
Uændrede stik, der passer til kontakterne, nedsætter risikoen for elektrisk stød.
- Undgå kropskontakt med jordforbundne overflader som f.eks. rør, radiatorer, komfurer og køleskabe.**
Hvis din krop er jordforbundet, øges risikoen for elektrisk stød.
- El-værktøj må ikke udsættes for regn eller fugt.**
Indtrængen af vand i el-værktøj øger risikoen for elektrisk stød.
- Undgå at ødelægge ledningen. Undgå at bære, trække eller afbryde el-værktøjet ved at rykke i ledningen. Beskyt ledningen mod varme, olie, skarpe kanter eller maskindele, der er i bevægelse.**
Beskadede eller indviklede ledninger øger risikoen for elektrisk stød.
- Hvis el-værktøj benyttes i det fri, skal der benyttes en forlængerledning, som er godkendt til udendørs brug.**
Brug af en forlængerledning til udendørs brug nedsætter risikoen for elektrisk stød.

3. Personlig sikkerhed

- Det er vigtigt at være opmærksom, holde øje med, hvad man laver og bruge el-værktøjet fornuftigt. Man bør ikke bruge maskinen, hvis man er træt, har nydt alkohol eller er påvirket af medicin eller euforiserende stoffer.**
Få sekunders uopmærksomhed ved brug af el-værktøjet kan føre til alvorlige personskader.
- Brug sikkerhedsudstyr. Brug altid beskyttelsesbriller.**
Brug af sikkerhedsudstyr som f.eks. støvmaske, skridsikkert fodtøj, beskyttelseshjelm eller høreværn afhængigt af maskintype og anvendelse nedsætter risikoen for personskader.
- Undgå utilsigtet igangsætning. Sørg for, at el-værktøjets afbryder er på off, før det slutes til strømmen.**
Hvis man bærer el-værktøj med fingeren på afbryderen, eller hvis man slutter værktøjet til strømmen, mens afbryderen er på on, er der risiko for ulykker.
- Fjern indstillingsværktøj eller skruenøgle, inden el-værktøjet tændes.**
Et værktøj eller en nøgle, der efterlades i en roterende del i el-værktøjet, kan resultere i personskader.
- Overvurder ikke dig selv. Sørg for, at du altid har sikkert fodfæste og balance.**
Det gør det nemmere at kontrollere el-værktøjet, hvis der skulle opstå uventede situationer.
- Brug egnet arbejdstøj. Undgå løse beklædningsgenstande eller smykker. Hold hår, tøj og handsker væk fra dele, der bevæger sig.**
Bevægelige dele kan gribe fat i løstsiddende tøj, smykker eller langt hår.
- Hvis støvudsugnings- og opsamlingsudstyr kan monteres, er det vigtigt, at dette tilsluttes og benyttes korrekt.**
Brug af dette udstyr nedsætter risikoen for personskader som følge af støv.

4. Brug og vedligeholdelse af el-værktøj

- Undgå at overbelaste el-værktøjet. Brug altid det rette el-værktøj til opgaven.**
Med det rigtige el-værktøj udføres arbejdet lettere og sikrer inden for det angivne effektområde.
- Brug ikke el-værktøjet, hvis afbryderen er defekt.**
El-værktøj, der ikke kan kontrolleres med afbryderen, er farligt og skal repareres.
- Træk stikket ud af stikkontakten inden indstilling, tilbehørsudskiftning eller opbevaring af el-værktøjet.**
Disse sikkerhedsforanstaltninger reducerer risikoen for utilsigtet start af værktøjet.

- d. **Opbevar ubenyttet el-værktøj uden for børns rækkevidde. Lad aldrig personer, der ikke er fortrolige med el-værktøj, eller som ikke har gennemlæst disse instrukser, benytte maskinen.**

El-værktøj er farligt, hvis det benyttes af ukyndige personer.

- e. **El-værktøj bør vedligeholdes omhyggeligt. Kontroller, om bevægelige dele fungerer korrekt og ikke sidder fast, og om delene er brækket eller beskadiget, således at el-værktøjets funktion påvirkes. Få beskadigede dele repareret, inden el-værktøjet tages i brug.**

Mange uheld skyldes dårligt vedligeholdt el-værktøj.

- f. **Sørg for, at skæreværktøjer er skarpe og rene.**
Omhyggeligt vedligeholdt skæreværktøjer med skarpe skærekanter sætter sig ikke så hurtigt fast og er nemmere at føre.
- g. **Brug el-værktøj, tilbehør, indsatsværktøj osv. i overensstemmelse med disse instrukser, og sådan som det kræves for denne specielle værktøjstype. Tag hensyn til arbejdsforholdene og det arbejde, der skal udføres.**

I tilfælde af anvendelse af el-værktøjet til formål, som ligger uden for det fastsatte anvendelsesområde, kan der opstå farlige situationer.

5. Brug og vedligeholdelse af batteriværktøj

- a. **Sørg for, at maskinen er slukket, før batteriet indsættes.**

Indsættelse af batteriet i el-værktøj, hvis afbryder er på on, kan føre til ulykker.

- b. **Oplades kun ved hjælp af ladeaggregater, der er anbefalet af fabrikanten.**

Et ladeaggregat, der er egnet til en bestemt type batterier, kan udgøre brandfare, hvis det bruges med andre batterityper.

- c. **Brug kun el-værktøjet med specifikt fremstillede batterier.**

Brug af andre batterier kan øge risikoen for personskader og er forbundet med brandfare.

- d. **Batterier, der ikke er i brug, må ikke komme i berøring med andre metalgenstande som f.eks. kontorclips, mønter, nøgler, søm, skruer eller andre små metalgenstande, da disse kan kortslutte kontakterne.**

En kortslutning mellem batteripolerne kan medføre forbrændinger eller brand.

- e. **Hvis batteriet anvendes forkert, kan der slippe væske ud af det. Undgå kontakt med denne væske. Hvis der alligevel skulle forekomme kontakt, skylles med vand. Søg læge, hvis væsken kommer i øjnene.**

Væske fra batteriet kan give hudirritation eller forbrændinger.

6. Service

- a. **Sørg for, at el-værktøjet kun repareres af kvalificerede fagfolk, og at der kun benyttes originale reservedele.**

Dermed opretholdes el-værktøjets sikkerhed.

Yderligere sikkerhedsanvisninger til slagbor

- ◆ **Brug høreværn, når du bruger slagbor.** Udsættelse for støj kan forårsage tab af hørelse.
- ◆ **Brug de hjælpehåndtag, der følger med maskinen.** Tab af kontrol kan forårsage lemlæstelser.

Yderligere sikkerhedsvejledninger til kombineret boremaskine/skrutetrækker

- ◆ **Hold fast på maskinen på de isolerede håndtagsflader, når der skal udføres noget, hvor der er risiko for, at skæreværktøjet kan komme i kontakt med skjulte strømførende ledninger eller apparatets eget kabel.** Ved kontakt med strømførende ledninger vil metaldelene på maskinen være under spænding og give elektrisk stød.
- ◆ **Brug spænder eller en anden praktisk måde at sikre og støtte arbejdsemnet til en stabil flade.** Hvis det holdes i hånden eller mod kroppen, er det ustabilt og kan føre til tab af kontrol.
- ◆ Før der bores i vægge, gulve eller lofter checkes ledningers og rørs placering.
- ◆ Man skal undgå at røre borespidsen lige efter, at man har boret, idet den kan være varm.

Yderligere sikkerhedsanvisninger til batterier og opladere

Batterier

- ◆ Man må aldrig forsøge at åbne et batteri.
- ◆ Udsæt ikke batteriet for vand.
- ◆ Det må ikke opbevares i et lokale, hvor temperaturen overstiger 40 °C.
- ◆ Det må kun oplades ved omgivelsestemperaturer mellem 10 °C og 40 °C.
- ◆ Oplad kun med den vedlagte oplader.
- ◆ Ved kassering af batterier, skal man følge vejledningen i afsnittet "Miljøbeskyttelse".

Opladere

- ◆ Din Black & Decker lader må kun benyttes til Black & Decker batterier af samme slags som dem, der fulgte med værktøjet. Andre batterier kan eksplodere og derved forårsage personskader og skader på ting.
- ◆ Man må aldrig forsøge at genoplade ikke-opladelige batterier.
- ◆ Defekte ledninger skal straks udskiftes.
- ◆ Udsæt ikke opladeren for vand.

- ◆ Opladeren må ikke åbnes.
- ◆ Opladeren må ikke manipuleres.



Opladeren er kun beregnet til indendørs brug.



Læs brugsanvisningen, før du tager værktøjet i brug.



Fejlsikker isolerende transformere. Strømforsyningen er elektrisk adskilt fra transformereens udgang.



Opladeren afbrydes automatisk, hvis den omgivende temperatur bliver for høj. Som følge heraf kan opladeren ikke længere fungere. Denne enhed skal afbrydes fra strømforsyningen og bringes til reparation på autoriseret serviceværksted.

Elektrisk sikkerhed



Laderen er dobbelt isoleret; jordledning er derfor ikke påkrævet. Kontroller, om laderens spænding svarer til lysnettets spænding. Forsøg aldrig at udskifte laderenheden med et almindeligt netstik.

- ◆ Dette apparat er ikke beregnet til at blive betjent af unge eller uerfarne personer uden opsyn. Der skal være opsyn med børn for at sikre, at de ikke leger med maskinen.
- ◆ Hvis el-ledningen er skadet, skal den udskiftes af producenten eller et autoriseret Black & Decker servicecenter for at undgå ulykker.

Oversigt

1. Knap til indstilling af funktion fremad/bagud
2. Bitsholdermanchet

Fig. A

3. Opladerkontakt
4. Lader
5. Opladerstik

Samling

Montering og demontering af borebits, topnøglebits eller en skruetrækkerbits (fig. B)

Dette værktøj bruger topnøglebits, skruetrækkerbits og borebits med 1,4" (6,35 mm) sekskantet skaft.

- ◆ Træk bitsholdermanchetten (2) tilbage.
- ◆ Sæt bitsens skaft (6) ind i bitsholderen.
- ◆ Slip bitsholdermanchetten

Anvendelse

Opladning af batteriet (fig. A)

Batteriet skal oplades, før det tages i brug for første gang, og derefter skal der genoplades når maskinen virker træg og ikke længere arbejder med vanlig præstation. Når batteriet oplades for første gang eller efter en længere periode uden at være brugt, kan det kun oplades 80%. Efter adskillige opladnings- og afladningsperioder opnår batteriet fuld kapacitet. Batteriet kan blive opvarmet under opladning; dette er normalt og er ikke ensbetydende med, at der er problemer.

Warning Batteriet må ikke oplades i omgivelsestemperaturer på under 4 °C eller over 40 °C. Anbefalet opladningstemperatur: ca. 24 °C.

- ◆ Oplad batteriet ved at indsætte opladerstikket (5) i kontakten (3). Sørg for, at hovedet er i lige stilling.
- ◆ Sæt opladeren (4) i stikkontakten.
- ◆ Lad værktøjet sidde i opladeren i 6-8 timer.

Opladeren kan summe og blive varm under opladning. Dette er normalt og er ikke ensbetydende med, at der er problemer. Efter normal brug vil en opladning på 6 timer ofte give tilstrækkelig kraft til, at værktøjet kan arbejde effektivt til de fleste formål. Imidlertid kan en opladning i op til 8 timer øge anvendelsestiden betydeligt, afhængigt af batteriets tilstand og opladningsforholdene.

- ◆ Før brug af værktøjet afbrydes opladeren, og værktøjet afmonteres.

Advarsel! Brug ikke værktøjet, mens det er koblet til opladeren.

Boring/skruetrækning (fig. C)

Til boring og stramning af skruer benyttes fremadrotation (med uret). Til løsning af skruer eller fjernelse af blokerede borebits bruges bagudrotation (mod uret).

- ◆ Tænd værktøjet i fremad rotation ved at trykke på den øverste knap på fremad/bagudafbryderen (1).
- ◆ Tænd værktøjet i bagudrotation ved at trykke på den nederste knap på fremad/bagudafbryderen (1).
- ◆ Sluk for værktøjet ved at slippe afbryderkontakten.

Gode råd til optimalt brug

Boring

- ◆ Man skal altid trykke let nedad i lige linie med borebitsen.
- ◆ Lige før borespidsen går igennem arbejdssemnets bagside, lattes trykket på værktøjet.
- ◆ Benyt en træklods til at støtte bagsiden af arbejdssemner, som kan splintre.
- ◆ Benyt HSS borebits, når der bores i metal.

- ◆ Benyt smøremiddel, når der bores i metal, som ikke er støbejern eller messing.
- ◆ Lav et prøvehul ved at benytte en kørner i centrum af det hul, som skal bores, for således at forbedre nøjagtigheden.

Anvendelse som skruetrækker

- ◆ Man skal altid benytte skruetrækkerbits af korrekt type og størrelse.
- ◆ Hvis skrueerne er svære at stramme, kan man påsmøre en smule sæbe som smøremiddel.
- ◆ Værktøjet og skruetrækkerbit'en skal altid holdes lige på skruen.
- ◆ Når man skruer i træ, anbefales det, at man borer et forboringshul med en dybde, der svarer til skrueens længde. Et forboringshul leder skruen og forhindrer, at træet splintrer eller deformeres. Oplysning om, hvordan man opnår den optimale størrelse af et forboringshul, findes i tabellen herunder.
- ◆ Når man skruer i hårdt træ, anbefales det desuden, at man borer et forboringshul med en dybde, der svarer til skrueens halve længde. Oplysning om, hvordan man opnår den optimale størrelse af et forboringshul, findes i tabellen herunder.

Skruestørrelse	Forboringshul Ø (blødt træ)	Forboringshul Ø (hårdt træ)	Forboringshul
Nr. 6 (3,5 mm)	2,0 mm	2,5 mm	3,6 mm
Nr. 8 (4 mm)	2,5 mm	3,0 mm	4,5 mm
Nr. 10 (5 mm)	3,0 mm	3,5 mm	5,0 mm
Nr. 12 (5,5 mm)	3,5 mm	4,0 mm	5,5 mm

Bemærk: Når slagmekanismen bruges, kommer der en skraldelyd. Det er normalt og er ikke noget problem.

Tilbehør

Værktøjets ydeevne afhænger af, hvilket tilbehør der bruges. Black & Decker og Piranha tilbehør er konstrueret, så det opfylder høje kvalitetsstandarder, og det er beregnet til at forbedre værktøjets ydeevne. Bruger du dette tilbehør, vil du få det allerbedste ud af værktøjet.

Dette værktøj bruger topnøglebits, skruetrækkerbits og borebits med 1,4" (6,35 mm) sekskantet skaft. Piranha Super-lok-tilbehør er designet til brug sammen med dette værktøj.

Advarsel! Brug kun dertil beregnet slagtilbehør til værktøjet. Skruetrækkerbits, der er kortere end 50, passer ikke til brug med dette værktøj.

Vedligeholdelse

Black & Decker værktøjet er designet til at være i drift i lang tid og med minimal vedligeholdelse. Forsat tilfredsstillende anvendelse afhænger af, at værktøjet behandles korrekt og gøres rent med regelmæssige mellemrum.

Opladeren kræver ingen anden vedligeholdelse end regelmæssig rengøring.

Advarsel! Tag opladeren ud af stikkontakten før rengøring.

- ◆ Rengør regelmæssigt værktøjets ventilationshuller og oplader med en blød børste eller en tør klud.
- ◆ Man skal regelmæssigt gøre motorhuset rent med en fugtig klud. Man må ikke bruge slibemidler eller opløsningsmidler.

Beskyttelse af miljøet



Separat indsamling. Dette produkt må ikke bortskaffes sammen med almindeligt husholdningsaffald.

Hvis du en dag skal udskifte dit Black & Decker produkt, eller hvis du ikke skal bruge det længere, må du ikke bortskaffe det sammen med husholdningsaffald. Dette produkt skal være tilgængeligt for separat indsamling.



Separat indsamling af brugte produkter og emballage gør det muligt at genbruge materialer. Genbrugte materialer forebygger miljøforurening og nedbringer behovet for råstoffer.

Lokale regler kan give mulighed for separat indsamling af elektriske husholdningsprodukter på kommunale lossepladser eller hos den forhandler, som du købte produktet af.

Black & Decker har en facilitet til indsamling og genbrug af Black & Decker-produkter, når deres levetid er slut. Få fordelene ved denne service ved at returnere produktet til en autoriseret tekniker, der samler værktøj sammen på vores vegne.

Du kan få oplyst den nærmeste autoriserede tekniker ved at kontakte det lokale Black & Decker-kontor på den adresse, der er angivet i denne brugsanvisning. Alternativt findes der en liste over autoriserede Black & Decker-teknikere og oplysninger om vores eftersalgsservice og kontaktpersoner på Internettet på adressen: www.2helpU.com

Batterier



Black & Decker batterier kan oplades mange gange. Ved endt teknisk levetid skal man kassere dem med omtanke for miljøet:

- ◆ Afład batteriet fuldstændigt, og fjern det derefter fra værktøjet.
- ◆ NiCd- og NiMH-batterier kan genbruges. Bring dem til en autoriseret tekniker eller en lokal genbrugscentral.

Tekniske data

	XTC60K	
Spænding	V_{DC}	6
Ubelastet hastighed	min^{-1}	2.100
Ubelastet påvirkning	min^{-1}	5.600
Maks. vridmoment	nm	35
Bitsholder		1/4" (6,35 mm sekskantet)
Maks. borekapacitet	mm	6
Vægt	kg	0,9

Lader

Spænding	V_{AC}	230
Opladningstid (ca.)	t	6-8
Vægt	kg	0,2

EU overensstemmelseserklæring

XTC60K

Black & Decker erklærer, at disse produkter er i overensstemmelse med følgende:

98/37/EF, 89/336/EØF, 73/23/EØF, EN 60745, EN 60335, EN 55014, EN 61000

L_{PA} (lydtryk) 73,7 dB(A), L_{WA} (lydintensitet) 84,7 dB(A), hånd/arm vægget vibration 1,72 m/s^2

K_{PA} (lydtryk usikkerhed) 3 dB(A),

K_{WA} (lydintensitet usikkerhed) 3 dB(A)



Kevin Hewitt

Director of Consumer Engineering
Pennymoor, County Durham DL16 6JG,
Storbritannien
1-7-2006

Reserve dele / reparationer

Reserve dele kan købes hos autoriserede Black & Decker serviceværksteder, som giver forslag til omkostninger og reparerer vore produkter. Oversigt over vore autoriserede værksteder findes på internettet på vor hjemmeside www.blackanddecker.dk samt www.2helpU.com

Garanti

Black & Decker har tillid til sine produkters kvalitet og tilbyder derfor en fortrinlig garanti. Denne garantierklæring er et supplement til forbrugernes lovlige rettigheder og påvirker ikke disse rettigheder. Garantien gælder inden for Den Europæiske Unions medlemsstater og EFTA-landene.



Hvis et Black & Decker XT produkt (dette gælder ikke for tilbehør, udstyr, batterier, opladere og patroner) bliver defekt på grund af fejlbehæftede materialer eller forkert håndværk, eller ikke opfylder bestemmelserne i loven inden 3 år efter datoen for købet, yder Black & Decker garanti for udskiftning af alle defekte dele og reparation af produkter, der har været udsat for rimelig slitage, eller udskiftning af sådanne produkter, såfremt produktet er registreret på Black & Decker XT garanti- websitet inden 90 dage efter købet. Hvis produktet ikke er registreret, gælder kun standardgarantien (2 år).

Garantien finder ikke anvendelse, hvis:

- ◆ Produktet er blevet brugt til handel, erhverv eller udlejning;
- ◆ Produktet er blevet misbrugt eller forsømt;
- ◆ Produktet har fået skader, der skyldes fremmedelementer, kemikalier eller ulykker;
- ◆ Der er udført reparationer af folk uden autorisation.
- ◆ Produktet er blevet ændret fra de oprindelige specifikationer;
- ◆ Der er brugt upassende tilbehør eller udstyr.

Den udvidede garanti finder ikke anvendelse, hvis:

- ◆ Bevis for købet samt det originale bevis for den udvidede garanti ikke forevises.

Registrer dit produkt online nu på

www.blackanddecker.dk/xt for at blive berettiget til den udvidede garanti (3 år) og blive holdt løbende informeret om nye produkter og særtilbud.

For at udnytte garantien skal bevis for købet indleveres til forhandleren eller til et autoriseret værksted. Du kan få oplyst den nærmeste autoriserede teknikers adresse ved at kontakte det lokale Black & Decker-kontor på den adresse, der er angivet i denne brugsanvisning. Alternativt findes der en liste over autoriserede Black & Decker-teknikere samt oplysninger om vores eftersalgsservice og kontaktpersoner på Internettet på adressen: www.2helpU.com

Der findes yderligere oplysninger om mærket Black & Decker og vores produktsortiment på adressen www.blackanddecker.dk

Käyttötarkoitus

Black & Deckerin iskuporakone on tarkoitettu ruuvaamiseen sekä ohjausreikien poraamiseen puuhun, metalliin ja muoviiin. Kone on tarkoitettu kotikäyttöön.

Black & Deckerin laturi on suunniteltu ainoastaan koneen mukana toimitetun akun lataamiseen.

Yleiset turvallisuutta koskevat säännöt

Varoitus! Kaikki ohjeet täytyy lukea. Alla olevien ohjeiden noudattamisen laiminlyönti saattaa johtaa sähköiskuun, tulipaloon ja/tai vakavaan loukkaantumiseen. Seuraavassa käytetty käsite ”sähkötyökalu” käsittää verkkokäyttöisiä sähkötyökaluja (verkkojohdolla) ja akkukäyttöisiä sähkötyökaluja (ilman verkkojohtoa).

SÄILYÄ NÄMÄ OHJEET HYVIN.

1. Työalue

a. Pidä työskentelyalue puhtaana ja hyvin valaistuna.

Työpaikan epäjärjestys ja valaisemattomat työalueet voivat johtaa tapaturmiin.

b. Älä työskentele sähkötyökalulla räjähdysalttiissa ympäristössä, jossa on palavaa nestettä, kaasua tai pölyä.

Sähkötyökalu muodostaa kipinöitä, jotka saattavat sytyttää pölyn tai höyryt.

c. Pidä lapset ja sivulliset loitolla sähkötyökalua käyttäessäsi.

Voit menettää laitteesi hallinnan, huomiosi suuntautuessa muualle.

2. Sähköturvallisuus

a. Sähkötyökalun pistotulpan tulee sopia pistorasiaan. Pistotulppaa ei saa muuttaa millään tavalla.

Älä käytä mitään pistorasia-adaptoreita maadoitettujen sähkötyökalujen kanssa.

Alkuperäisessä kunnossa olevat pistotulpat ja sopivat pistorasiat vähentävät sähköiskun vaaraa.

b. Vältä koskettamasta maadoitettuja pintoja, kuten putkia, pattereita, liesiä tai jääkaappeja.

Sähköiskun vaara kasvaa, jos kehosi on maadoitettu.

c. Älä altista sähkötyökalua sateelle tai kosteudelle.

Veden tunkeutuminen sähkötyökalun sisään kasvattaa sähköiskun riskiä.

d. Älä käytä verkkojohtoa väärin. Älä käytä sitä sähkötyökalun kantamiseen, vetämiseen tai pistotulpan irrottamiseen pistorasiasta. Pidä johto loitolla kuumuudesta, öljystä, terävistä reunoista ja liikkuvista osista.

Vahingoittuneet tai sotkeutuneet johdot kasvattavat sähköiskun vaaraa.

e. Käyttäessäsi sähkötyökalua ulkona, käytä ainoastaan ulkokäyttöön soveltuvaa jatkojohtoa.

Ulkokäyttöön soveltuvan jatkojohdon käyttö pienentää sähköiskun vaaraa.

3. Henkilöturvallisuus

a. Ole valpas, kiinnitä huomiota työskentelyysi ja noudata tervettä järkeä sähkötyökalua käyttäessäsi. Älä käytä sähkötyökalua, jos olet väsynyt tai huumeiden, alkoholin tahi lääkkeiden vaikutuksen alaisena.

Hetken tarkkaamattomuus sähkötyökalua käytettäessä saattaa johtaa vakavaan loukkaantumiseen.

b. Käytä suojavarusteita. Käytä aina suojalaseja.

Suojavarusteet, kuten pölynsuojanaamari, luistamattomat turvajalkineet, kypärä ja kuulosuojaimet pienentävät, tilanteen mukaan oikein käytettyinä, loukkaantumisriskiä.

c. Vältä sähkötyökalun tahatonta käynnistämistä.

Varmista, että kytkin on off-asennossa ennen kytkennän tekemistä.

Onnettomuusvaara lisääntyy, jos kannat sähkötyökalua sormi käyttökytkimellä tai kytket työkalun virtajohdon pistorasiaan, kun käyttökytkin on päällä.

d. Poista kaikki säätötyökalut ja ruuvitaltat, ennen kuin käynnistät sähkötyökalun.

Työkalu tai avain, joka sijaitsee laitteen pyöriässä osassa, saattaa johtaa loukkaantumiseen.

e. Älä kurkota. Seiso aina tukevasti ja tasapainossa.

Täten voit paremmin hallita sähkötyökalua odottamattomissa tilanteissa.

f. Käytä tarkoitukseen soveltuvia vaatteita. Älä käytä löysiä työvaatteita tai koruja. Pidä hiukset, vaatteet ja käsineet loitolla liikkuvista osista.

Väljät vaatteet, korut ja pitkät hiukset voivat takertua liikkuviin osiin.

g. Jos pölynimu- ja keräilylaitteita voidaan asentaa työkaluun, sinun pitää tarkistaa, että ne on liitetty ja että niitä käytetään oikealla tavalla.

Näiden laitteiden käyttö vähentää pölyn aiheuttamia vaaroja.

4. Sähkötyökalujen käyttö ja hoito

a. Älä ylikuormita laitetta. Käytä kyseiseen työhön tarkoitettua sähkötyökalua.

Sopivaa sähkötyökalua käyttäen työskentelet paremmin ja varmemmin tehoalueella, jolle sähkötyökalu on tarkoitettu.

b. Älä käytä sähkötyökalua, jota ei voida käynnistää ja pysäyttää virtakytkimestä.

Sähkötyökalu, jota ei enää voida käynnistää ja pysäyttää käynnistyskytkimellä, on vaarallinen ja se täytyy korjata.

- c. **Irrota pistotulppa pistorasiasta, ennen kuin suoritat säätöjä, vaihdat tarvikkeita tai siirräät sähkötyökalun varusteitaivaksi.**

Nämä turvatoimenpiteet pienentävät sähkötyökalun tahattoman käynnistysriskin.

- d. **Säilytä sähkötyökalut poissa lasten ulottuvilta, kun niitä ei käytetä. Älä anna sellaisten henkilöiden käyttää sähkötyökalua, jotka eivät tunne sitä tai jotka eivät ole lukeneet tätä käyttöohjetta.**

Sähkötyökalut ovat vaarallisia, jos niitä käyttävät kokemattomat henkilöt.

- e. **Hoida sähkötyökalusi huolella. Tarkista, että liikkuvat osat toimivat moitteettomasti, eivätkä ole puristuksessa ja että työkalussa ei ole murtuneita tai vahingoittuneita osia, jotka saattaisivat vaikuttaa haitallisesti sen toimintaan. Korjautattaa mahdolliset viat ennen käyttöönottoa.**

Moni tapaturma aiheutuu huonosti huolletuista laitteista.

- f. **Pidä leikkausterät terävinä ja puhtaina.** Huolellisesti hoidetut leikkaustyökalut, joiden leikkausreunat ovat teräviä, eivät tartu helposti kiinni ja niitä on helpompi hallita.

- g. **Käytä sähkötyökaluja, tarvikkeita, vaihtotyökaluja jne. näiden ohjeiden mukaisesti ja tavalla, joka on tarkoitettu erityisesti kyseiselle sähkötyökalulle. Ota tällöin huomioon työolosuhteet ja suoritettava toimenpide.**

Sähkötyökalun käyttö muuhun kuin sille määrättyyn käyttöön, saattaa johtaa vaarallisiin tilanteisiin.

5. Akkukäyttöisten työkalujen käyttö ja hoito

- a. **Varmista, että sähkötyökalu on poiskytkettynä, ennen kuin asennat akun siihen.**

Acun asennus sähkötyökaluun, jonka käynnistyskytkin on käyntiasennossa altistaa onnettomuuksille.

- b. **Lataa akku vain valmistajan määrittelemässä laturissa.**

Laturi, joka soveltuu määrättytyypiselle akulle, saattaa muodostaa tulipalovaaran erilaista akkua ladattaessa.

- c. **Käytä sähkötyökalussa ainoastaan kyseiseen sähkötyökaluun tarkoitettua akkua.**

Jonkun muun akun käyttö saattaa johtaa loukkaantumiseen ja tulipaloon.

- d. **Pidä irrallista akkua loitolla metalliesineistä, kuten paperinliittimistä, kolikoista, avaimista, nauloista, ruuveista tai muista pienistä metalliesineistä, jotka voivat oikosulkea akun koskettimet.**

Akkukoskettimien välinen oikosulku saattaa aiheuttaa palovammoja tai johtaa tulipaloon.

- e. **Väärästä käytöstä johtuen saattaa akusta vuotaa nestettä, jota ei tule koskettaa. Jos nestettä vahingossa joutuu iholle, huuhteile kosketuskohta vedellä. Jos nestettä pääsee silmiin, tarvitaan tämän lisäksi lääkärin apua.**

Acusta vuotava neste saattaa aiheuttaa ärsytystä ja palovammoja.

6. Huolto

- a. **Anna koulutettujen ammattitaitoisten henkilöiden korjata sähkötyökalusi ja hyväksy korjauksiin vain alkuperäisiä varaosa.**

Täten varmistat, että sähkötyökalu säilyy turvallisena.

Lisäturvaohjeet iskuporakoneille

- ◆ **Käytä kuulosuojaimia iskuporakoneiden käytön yhteydessä.** Altistuminen melulle voi aiheuttaa kuulovammoja.
- ◆ **Käytä koneen varusteisiin kuuluvia lisäkahvoja.** Koneen hallinnan menetys voi aiheuttaa loukkaantumisen.

Lisäturvaohjeet pora/ruuvinvääntimelle

- ◆ **Käsittele työkalua eristävien tartuntapintojen avulla kun teet työtä jossa työkalu voi joutua kosketuksiin piilossa olevien sähköjohtojen tai oman virtajohtonsa kanssa.** Kosketus jännitteisen johtimen kanssa tekee työkalun paljaista metalliosista jännitteisiä ja aiheuttaa sähköiskun käyttäjälle.
- ◆ **Käytä ruuvipuristimia tai vastaavaa keinoa, jolla saat kiinnitettyä ja tuettua työkappaleen tukevalle alustalle.** Työkappaleen kannatteleminen käsin tai tukeminen kehoa vasten voi johtaa kappaleen irtoamiseen ja vaaratilanteen syntymiseen.
- ◆ Ennen seinien, lattioiden tai kattojen poraamista tarkista sähköjohtojen ja putkistojen sijainnit.
- ◆ Vältä poran terän koskettamista heti poraamisen jälkeen, se saattaa olla kuuma.

Lisäturvaohjeet akuille ja latureille

Paristot

- ◆ Älä koskaan yritä avata akkua.
- ◆ Älä altista akkua vedelle.
- ◆ Älä säilytä akkua paikassa, jonka lämpötila saattaa ylittää 40 °C.
- ◆ Lataa akku ainoastaan lämpötilan ollessa 10 °C - +40 °C.
- ◆ Lataa akku käyttäen ainoastaan koneen mukana toimitettua laturia.
- ◆ Kun poistat akun käytöstä, noudata kappaleessa "Ympäristö" annettuja ohjeita.

Laturit

- ◆ Käytä Black & Decker-laturia ainoastaan koneen mukana toimitetun akun lataamiseen. Muunlaiset akut saattavat räjähtää aiheuttaen henkilö- ja esinevahinkoja.
- ◆ Älä koskaan yritä ladata ei-ladattavia akkuja.
- ◆ Vaihda vialliset johdot välittömästi.
- ◆ Älä altista laturia vedelle.
- ◆ Älä avaa laturia.
- ◆ Älä vahingoita laturia.



Laturi on tarkoitettu vain sisäkäyttöön.



Lue käyttöohje huolellisesti ennen käyttöä.



Erotusmuuntaja on vian sattuessa turvallinen. Virtalähde on erotettu sähköisesti muuntajan ulostulosta.



Laturin virta katkeaa automaattisesti, jos ympäristön lämpötila nousee liikaa. Tällöin laturi ei toimi. Laite on irrotettava verkkovirrasta ja vietävä valtuutettuun huoltokeskukseen korjattavaksi.

Sähköinen turvallisuus



Laturisi on kaksoiseristetty; siksi ei tarvita erillistä maadoitusta. Tarkista, että laturin jännite vastaa verkon jännitettä. Lataa akku ainoastaan mukana toimitetulla laturilla.

- ◆ Tätä laitetta ei ole tarkoitettu nuorten henkilöiden käyttöön tai vajaavaltaiten henkilöiden käyttöön ilman valvontaa. Lapsia on valvottava, etteivät he leiki koneen kanssa.
- ◆ Jos sähköjohto on vaurioitunut, sen saa vaihtaa vain valtuutetussa Black & Deckerin huoltoliikkeessä vaaratilanteiden välttämiseksi.

Yleiskatsaus

1. Suunnanvaihtokytkin
2. Terän pidike

Kuva A

3. Laturin liitin
4. Laturi
5. Laturin kontakti

Kokoaminen

Poranterien, hylsyavainkärkien ja ruuvauskärkien kiinnitys ja poisto (kuva B)

Tässä työkalussa käytetään hylsyavainkärkiä, ruuvauskärkiä ja poranteriä, joissa on 1/4" (6,35 mm) kuusiokantavarsi.

- ◆ Vedä terän pidikettä (2) taaksepäin.
- ◆ Laita ruuvitaltta (6) terän pidikkeeseen.
- ◆ Päästä irti terän pidikkeestä.

Käyttö

Akun lataaminen (kuva A)

Akku tulee ladata ennen ensimmäistä käyttökertaa ja aina silloin, kun se ei enää tuota riittävästi virtaa toimintoihin, jotka aikaisemmin hoituivat helposti. Ladatessasi akkua ensimmäistä kertaa tai pitkäaikaisen säilytyksen jälkeen, latautuu se vain 80 %:sesti. Usean lataamis- ja tyhjentymskerran jälkeen akku saavuttaa täyden kapasiteettinsa. Akku voi lämmetä ladattaessa; tämä on normaalia eikä ole merkinä minkäänlaisesta ongelmasta.

Varoitus! Älä lataa akkua alle +4 °C tai yli +40 °C asteen lämpötiloissa. Suositeltu lämpötila lataamiseen on noin +24 °C.

- ◆ Akku ladataan asettamalla laturin kontakti (5) liittimeen (3). Varmista, että pää on suorassa.
- ◆ Liitä laturi (4) virtalähteeseen.
- ◆ Anna koneen olla liitettynä laturiin 6-8 tuntia. Laturi voi surista ja lämmetä ladattaessa; tämä on normaalia eikä ole merkinä minkäänlaisesta ongelmasta. Noin 6 tunnin latausaika riittää yleensä akun palauttamiseksi käyttökuntoon useimpia työtehtäviä varten. Jos akkua ladataan 8 tuntia, käyttöaika voi kasvaa huomattavasti akun ja latausolosuhteiden mukaan.
- ◆ Irrota laturi virtalähteestä ja koneesta ennen koneen käyttöä.

Varoitus! Älä käytä konetta, kun se on liitettynä laturiin.

Poraaminen/ruuvaus (kuva C)

Käytä eteenpäin (myötäpäivään) suuntautuvaa pyörimisliikettä poraamiseen ja ruuvien kiristämiseen. Käytä taaksepäin (vastapäivään) suuntautuvaa pyörimisliikettä ruuvien tai jumiutuneen poranterän irrottamiseen.

- ◆ Valitse eteenpäin suuntautuva pyörimisliike painamalla suunnanvaihtokytkimen (1) yläpainiketta.
- ◆ Valitse taaksepäin suuntautuva pyörimisliike painamalla suunnanvaihtokytkimen (1) alapainiketta.
- ◆ Sammuta kone päästämällä irti kytkimestä.

Vinkkejä parhaimman tuloksen saamiseksi

Poraus

- ◆ Paina terää kevyesti suoraan työstökappaletta kohti.
- ◆ Vähennä koneen painamista juuri ennen kuin terän kärki tulee ulos työstökappaleen toiselta puolelta.
- ◆ Käytä puunpalaa työstökappaleen alla halkeilun estämiseksi.
- ◆ Käytä HSS-teriä (pikaterästeriä) poratessasi metallia.
- ◆ Käytä voiteluainetta poratessasi muita metalleja kuin valurautaa tai messinkiä.
- ◆ Tee pistepuikolla aloitusreikä porattavan reiän keskikohtaan, niin porauksen tarkkuus paranee.

Ruuvaus

- ◆ Käytä aina oikean mallista ja -kokoista ruuvinväänintä.
- ◆ Jos ruuvi on hankala kiristää, voidaan voiteluaineena käyttää hiukan nestemäistä pesuainetta tai saippuaa.
- ◆ Pidä konetta ja ruuvinväänintä aina kohtisuorassa ruuviin nähden.
- ◆ Ennen ruuvien kiertämistä puuhun on hyvä porata ohjausreikä, jonka syvyys vastaa ruuvien pituutta. Ohjausreiän avulla ruuvi kiertyy suoraan estäen puun hajoamisen tai vahingoittumisen. Katso alla olevaa taulukkoa.
- ◆ Ennen ruuvien kiertämistä kovaan puuhun on hyvä porata ohjausreikä, jonka syvyys on puolet ruuvien pituudesta. Katso alla olevaa taulukkoa.

Ruuvien koko	Ohjausreiän Ø (pehmeä puu)	Ohjausreiän Ø (kova puu)	Ohjausreikä
Nro 6 (3,5 mm)	2,0 mm	2,5 mm	3,6 mm
Nro 8 (4 mm)	2,5 mm	3,0 mm	4,5 mm
Nro 10 (5 mm)	3,0 mm	3,5 mm	5,0 mm
Nro 12 (5,5 mm)	3,5 mm	4,0 mm	5,5 mm

Huomautus: Kun iskuporatoimintoa käytetään, poran käyttööni on räitsevä. Tämä on täysin normaalia eikä ole merkinä ongelmasta.

Tarvikkeet

Koneen käyttöalue riippuu käytettävästä tarvikkeesta. Black & Decker- ja Piranha -tarvikkeet ovat korkealaatuisia. Käyttämällä näitä tarvikkeita saat koneestasi irti parhaan mahdollisen.

Tässä työkalussa käytetään hylsyavainkärkiä, ruuvauskärkiä ja poranteriä, joissa on 1/4" (6,35 mm) kuusiokantavarsi. Piranha Super-lok-tarvikkeet on suunniteltu käytettäväksi tämän työkalun yhteydessä.

Varoitus! Käytä vain työkalulle suunniteltuja iskuporausvälineitä. Alle 50 mm pituiset ruuvauskärjet eivät sovellu käytettäväksi tämän työkalun kanssa.

Huolto

Black & Deckerin työkalu on suunniteltu toimimaan mahdollisimman pitkän aikaa mahdollisimman vähällä huollolla. Asianmukainen käyttö ja säännönmukainen puhdistus takaavat koneen jatkuvan tyydyttävän toiminnan. Laturi ei tarvitse säännöllisen puhdistamisen lisäksi minkään muunlaista huoltoa.

Varoitus! Irrota laturi virtalähteestä ennen puhdistamista.

- ◆ Puhdista koneen ja laturin ilma-aukot säännöllisesti pehmeällä harjalla tai kuivalla siivousliinalla.
- ◆ Puhdista työkalun kuori säännöllisesti kostealla siivousliinalla. Älä koskaan käytä puhdistamiseen liuotainaineita tai syövyttäviä puhdistusaineita.

Ympäristö



Erillinen keräys. Tätä tuotetta ei saa hävittää normaalin kotitalousjätteen kanssa.

Kun Black & Decker -koneesi on käytetty loppuun, älä hävitä sitä kotitalousjätteen mukana. Tämä tuote on kerättävä erikseen.



Käytettyjen tuotteiden ja pakkausten erillinen keräys mahdollistaa materiaalien kierrätyksen ja uudelleenkäytön. Kierrätettyjen materiaalien uudelleenkäyttö auttaa ehkäisemään ympäristön saastumisen ja vähentää raaka-aineiden kysyntää.

Paikallisten säännösten mukaisesti on mahdollista viedä kotitalouksien sähkölaitteet kuntien kaatopaikoille tai jättää ne vähittäismyyjälle ostettaessa uusi tuote.

Black & Decker tarjoaa mahdollisuuden Black & Decker –tuotteiden keräykseen ja kierrätykseen sen jälkeen, kun ne on poistettu käytöstä. Jotta voisit hyötyä tästä palvelusta, palauta laitteesi johonkin valtuutettuun huoltoliikkeeseen, joka kerää laitteet meidän puolestamme.

Voit tarkistaa lähimmän valtuutetun huoltoliikkeen sijainnin ottamalla yhteyden Black & Deckerin toimistoon, joka sijaitsee tässä käsikirjassa annetussa osoitteessa. Lista valtuutetuista Black & Decker -huoltoliikkeistä sekä yksityiskohtaiset tiedot korjauspalvelustamme ovat vaihtoehtoisesti saatavilla Internetissä, osoitteessa www.2helpU.com

Akut

Black & Deckerin akut voidaan ladata useaan kertaan. Vie loppuunkäytetyt akut niille tarkoitettuun keräyspaikkaan tai –astiaan:

- ◆ Käytä akku täysin loppuun ja poista se sitten työkalusta.
- ◆ NiCd- ja NiMH-akut ovat kierrätettäviä. Voit viedä ne mihin tahansa valtuutettuun huoltoliikkeeseen tai paikalliseen kierrätyskeskukseen. Kerätyt akut toimitetaan kierrätykseen tai käsitellään asianmukaisesti.

Tekniset tiedot

	XTC60K	
Jännite	V_{DC}	6
Kuormittamaton nopeus	min^{-1}	2.100
Kuormittamaton iskuvoima	min^{-1}	5.600
Suurin mahdollinen vääntömomentti	Nm	35
Terän pidike		1/4" (6,35 mm kuusio)
Max. porausteho	mm	6
Paino	kg	0,9

Laturi

Jännite	V_{AC}	230
Latausaika (noin)	h	6-8
Paino	kg	0,2

EU:n yhdenmukaisuusilmoitus

XTC60K

Black & Decker vakuuttaa näiden tuotteiden olevan seuraavien standardien vaatimusten mukaisia:

98/37/EY, 89/336/ETY, 73/23/ETY, EN 60745, EN 60335, EN 55014, EN 61000

L_{pA} (äänenpaine) 73,7 dB(A), L_{WA} (akustinen teho) 84,7 dB(A),
käden/käsivarren painotettu ääriä 1,72 m/s²

K_{pA} (äänenpaineen epävarmuus) 3 dB(A),

K_{WA} (akustisen tehon epävarmuus) 3 dB(A)

Kevin Hewitt

Director of Consumer Engineering
Spennymoor, County Durham DL16 6JG,

Iso-Britannia
1-7-2006

Korjaukset / varaosat

Mikäli koneeseen tulee vikaa, jätä se aina Black & Deckerin valtuuttamaan huoltoliikkeeseen korjattavaksi (tiedot löytyvät uusimmasta tuoteluettelostamme tai ottamalla yhteyttä Black & Decker Oy:hyn). Varaosia myyvät valtuutetut Black & Deckerin huoltoliikkeet, ja heiltä voi myös pyytää kustannusarvion koneen korjauksesta.

Tiedot valtuutetuista huoltoliikkeistä löytyvät myös internetistä osoitteesta www.2helpU.com sekä kotisivuiltamme www.blackanddecker.fi

Takuu

Black & Decker luottaa tuotteidensa laatuun ja tarjoaa erinomaisen takuun. Tämä takuu on ylimääräinen eikä vaikuta millään tavalla lakisääteisiin oikeuksiisi. Takuu on voimassa Euroopan unionin jäsenvaltioiden alueella ja Euroopan vapaakauppa-alueen sisällä.



Jos Black & Deckerin XT –tuotteeseen (lukuun ottamatta varusteita, lisälaitteita, akkuja, latureita ja istukoita) tulee viallisten materiaalien, valmistusvirheen tai yhdenmukaisuuden puutteen vuoksi kolmen vuoden kuluessa tuotteen hankinnasta, Black & Decker vaihtaa kaikki vialliset osat uusiin, korjaa tuotteen, joka on kulunut normaalisti käytössä tai vaihtaa tuotteen uuteen, mikäli tuote on rekisteröity Black & Deckerin XT –takuuverkosivulla 90 päivän kuluessa sen hankinnasta. Jos tuotetta ei ole rekisteröity, vain standarditakuu (2 vuotta) on voimassa.

Takuu ei ole voimassa, mikäli:

- ◆ Tuotetta on käytetty myynti-, ammattimaisiin tai vuokraustarkoituksiin;
- ◆ Tuotetta on käytetty väärin tai huolimattomasti;
- ◆ Tuote on vahingoittunut vieraiden esineiden, aineiden tai onnettomuuksien vaikutuksesta;
- ◆ Muut kuin valtuutetut henkilöt ovat suorittaneet korjauksen;
- ◆ Tuotteeseen on tehty muutoksia, jotka eivät ole sen alkuperäisen käyttötarkoituksen mukaisia
- ◆ Tuotteen kanssa on käytetty varusteita tai lisälaitteita, jotka eivät ole sopivia.

Laajennettu takuu ei ole voimassa, mikäli:

- ◆ ostokuitia tai alkuperäistä laajennetun takuun todistusta ei voida esittää.

Rekisteröi tuotteesi nyt osoitteessa

www.blackanddecker.fi/xt, jotta laajennettu takuu (3 vuotta) astuisi voimaan ja jotta saisit tietoja uusista tuotteista ja erikoistarjouksista.

SUOMI

Kun haet korvausta takuun perusteella, sinun on toimitettava tuotteen ostokuitti myyjälle tai valtuutettuun huoltoliikkeeseen. Voit tarkistaa lähimmän valtuutetun huoltoliikkeen sijainnin ottamalla yhteyden Black & Deckerin toimistoon, joka sijaitsee tässä käsikirjassa annetussa osoitteessa. Lista valtuutetuista Black & Decker -huoltoliikkeistä sekä yksityiskohtaiset tiedot korjauspalvelustamme ovat vaihtoehtoisesti saatavilla Internetissä, osoitteessa **www.2helpU.com**

Saat lisätietoja Black & Deckerin tavaramerkistä ja tuotevalikoimastamme osoitteesta **www.blackanddecker.fi**

Ενδεδειγμένη χρήση

Το κατασβίδι κρούσης Black & Decker έχει σχεδιαστεί για εφαρμογές βιδώματος και για διάτρηση σπών οδήγησης σε ξύλο, μέταλλο και πλαστικά.

Αυτο το εργαλείο προορίζεται μόνο για ερασιτεχνική χρήση. Ο φορτιστής σας Black & Decker έχει σχεδιαστεί για τη φόρτιση της μπαταρίας του εργαλείου, το οποίο συνοδεύει.

Γενικοί κανόνες ασφαλείας

Προειδοποίηση! Διαβάστε όλες τις υποδείξεις. Η μη τήρηση όλων των παρακάτω υποδείξεων μπορεί να προκαλέσει ηλεκτροπληξία, πυρκαγιά ή/και σοβαρούς τραυματισμούς. Ο χαρακτηρισμός “ηλεκτρικό εργαλείο” που χρησιμοποιείται στις παρακάτω προειδοποιητικές υποδείξεις αφορά ή το εργαλείο που συνδέεται στην πρίζα (με καλώδιο) ή το εργαλείο που λειτουργεί με μπαταρία (χωρίς καλώδιο). ΦΥΛΑΞΤΕ ΑΥΤΕΣ ΤΙΣ ΟΔΗΓΙΕΣ.

1. Χώρος εργασίας

- Διατηρείτε το χώρο που εργάζεστε καθαρό και καλά φωτισμένο.**
Η αταξία στο χώρο που εργάζεστε και τα σημεία χωρίς καλό φωτισμό μπορεί να οδηγήσουν σε ατυχήματα.
- Μη χρησιμοποιείτε τα ηλεκτρικά εργαλεία σε περιβάλλον όπου υπάρχει κίνδυνος έκρηξης, π.χ. παρουσία εύφλεκτων υγρών, αερίων ή σκόνης.**
Τα ηλεκτρικά εργαλεία μπορεί να δημιουργήσουν σπινθηρισμό ο οποίος μπορεί να αναφλέξει τη σκόνη ή τις αναθυμιάσεις.
- Όταν χρησιμοποιείτε το ηλεκτρικό εργαλείο, κρατάτε τα παιδιά και τα υπόλοιπα άτομα μακριά από το χώρο που εργάζεστε.**
Σε περίπτωση που άλλα άτομα αποσπάσουν την προσοχή σας μπορεί να χάσετε τον έλεγχο του μηχανήματος.

2. Ηλεκτρική ασφάλεια

- Το φως του καλώδιου του ηλεκτρικού εργαλείου πρέπει να ταιριάζει στην αντίστοιχη πρίζα. Δεν επιτρέπεται με κανένα τρόπο η μετασκευή του φως. Μη χρησιμοποιείτε προσαρμοστικά φως στα γειωμένα ηλεκτρικά εργαλεία.**
Τα φως που δεν έχουν υποστεί τροποποιήσεις και οι κατάλληλες πρίζες μειώνουν τον κίνδυνο ηλεκτροπληξίας.
- Αποφεύγετε την επαφή του σώματός σας με γειωμένες επιφάνειες όπως σωλήνες, θερμοκρατικά σώματα (καλοριφέρ), κουζίνες και ψυγεία.**
Όταν το σώμα σας είναι γειωμένο, αυξάνεται ο κίνδυνος ηλεκτροπληξίας.
- Μην εκθέτετε το ηλεκτρικό εργαλείο στη βροχή ή την υγρασία.**
Η διείσδυση νερού στο ηλεκτρικό εργαλείο αυξάνει τον κίνδυνο ηλεκτροπληξίας.

- Μην κακομεταχειριζόμαστε το καλώδιο.**
Μη χρησιμοποιήσετε ποτέ το καλώδιο για να μεταφέρετε, να τραβήξετε ή να αποσυνδέσετε το εργαλείο από την πρίζα. Κρατάτε το καλώδιο μακριά από υψηλές θερμοκρασίες, λάδια, κοφτερές ακμές ή κινούμενα εξαρτήματα.
Τυχόν χαλασμένα ή μπερδεμένα καλώδια αυξάνουν τον κίνδυνο ηλεκτροπληξίας.
- Όταν χρησιμοποιείτε το ηλεκτρικό εργαλείο σε εξωτερικούς χώρους, να χρησιμοποιείτε πάντοτε προεκτάσεις (μπαλαντέζες) που έχουν εγκριθεί για χρήση σε εξωτερικούς χώρους.**
Η χρήση προεκτάσεων εγκεκριμένων για εργασία σε εξωτερικούς χώρους μειώνει τον κίνδυνο ηλεκτροπληξίας.

3. Ασφάλεια προσώπων

- Όταν χρησιμοποιείτε το ηλεκτρικό εργαλείο, να είστε προσεκτικοί, να δίνετε προσοχή στην εργασία που κάνετε και να επιστρατεύετε την κοινή λογική. Μη χρησιμοποιείτε το ηλεκτρικό εργαλείο όταν είστε κουρασμένοι ή όταν βρίσκεστε υπό την επήρεια ναρκωτικών, οινοπνεύματος ή φαρμάκων.**
Μια στιγμή απροσεξία κατά το χειρισμό του ηλεκτρικού εργαλείου μπορεί να οδηγήσει σε σοβαρούς τραυματισμούς.
- Να χρησιμοποιείτε εξοπλισμό ασφαλείας. Να φοράτε πάντα προστατευτικά γυαλιά.**
Ο κίνδυνος τραυματισμών μειώνεται όταν χρησιμοποιείτε εξοπλισμό ασφαλείας, όπως μάσκα προστασίας από σκόνη, αντιπολιοθητικά παπούτσια ασφαλείας, κράνη ή ωταπίδες, ανάλογα με τις συνθήκες εργασίας.
- Αποφεύγετε την αθέλητη θέση σε λειτουργία του ηλεκτρικού εργαλείου. Βεβαιωθείτε, ότι ο διακόπτης λειτουργίας βρίσκεται στη θέση “OFF” πριν συνδέσετε το ηλεκτρικό εργαλείο στην πρίζα.**
Αν μεταφέρετε το ηλεκτρικό εργαλείο έχοντας το δάκτυλό σας πάνω στο διακόπτη λειτουργίας ή αν συνδέσετε το ηλεκτρικό εργαλείο στην πρίζα όταν ο διακόπτης λειτουργίας βρίσκεται στη θέση “ON”, αυτό μπορεί να οδηγήσει σε σοβαρούς τραυματισμούς.
- Πριν θέσετε το ηλεκτρικό εργαλείο σε λειτουργία, αφαιρέστε τυχόν εργαλεία ή κλειδιά ρύθμισης.**
Ένα εργαλείο ή κλειδί συναρμολογημένο στο περιστρεφόμενο εξάρτημα ενός ηλεκτρικού εργαλείου μπορεί να προκαλέσει τραυματισμούς.
- Μην τεντώνετε. Φροντίστε πάντοτε να έχετε την κατάλληλη στάση και να διατηρείτε την ισορροπία σας.**
Αυτό σας επιτρέπει τον καλύτερο έλεγχο του ηλεκτρικού εργαλείου σε περιπτώσεις απροσδόκητων καταστάσεων.

- f. Φοράτε κατάλληλη ενδυμασία εργασίας. Μη φοράτε φαδιά ρούχα ή κοσμήματα. Κρατάτε τα μαλλιά, τα ενδύματα και τα γάντια σας μακριά από τα κινούμενα εξαρτήματα.
Τα φαδιά ρούχα, τα κοσμήματα και τα μακριά μαλλιά μπορεί να εμπλακούν στα κινούμενα εξαρτήματα.
- g. **Αν προβλέπονται διατάξεις απαγωγής και συλλογής της σκόνης, βεβαιωθείτε ότι είναι συνδεδεμένες και ότι χρησιμοποιούνται σωστά.**
Η χρήση τέτοιων διατάξεων μειώνει τους κινδύνους που προέρχονται από τη σκόνη.
4. **Χρήση και συντήρηση του ηλεκτρικού εργαλείου**
- a. **Μην υπερφορτώνετε το ηλεκτρικό εργαλείο. Χρησιμοποιείτε για την εκάστοτε εργασία σας το ηλεκτρικό εργαλείο που προορίζεται γι' αυτήν.**
Με το κατάλληλο ηλεκτρικό εργαλείο εργάζεσθε καλύτερα και ασφαλέστερα στην ονομαστική περιοχή ισχύος του.
- b. **Μη χρησιμοποιήσετε ποτέ ένα ηλεκτρικό εργαλείο του οποίου ο διακόπτης λειτουργίας είναι χαλασμένος.**
Ένα ηλεκτρικό εργαλείο του οποίου η λειτουργία δεν μπορεί να ελεγχθεί με το διακόπτη είναι επικίνδυνο και πρέπει να επισκευαστεί.
- c. **Βγάλετε το φως από την πρίζα πριν διεξάγετε κάποια εργασία ρύθμισης στο ηλεκτρικό εργαλείο, πριν αλλάξετε κάποιο εξάρτημα ή όταν πρόκειται να το αποθηκεύσετε.**
Αυτά τα προληπτικά μέτρα ασφαλείας μειώνουν τον κίνδυνο να τεθεί το μηχάνημα αθέλητα σε λειτουργία.
- d. **Να φυλάτε τα ηλεκτρικά εργαλεία που δεν χρησιμοποιείτε μακριά από παιδιά. Μη αφήνετε άτομα που δεν είναι εξοικειωμένα με το ηλεκτρικό εργαλείο ή που δεν έχουν διαβάσει αυτές τις οδηγίες χρήσης να το χρησιμοποιήσουν.**
Τα ηλεκτρικά εργαλεία είναι επικίνδυνα όταν χρησιμοποιούνται από άπειρα άτομα.
- e. **Να συντηρείτε τα ηλεκτρικά εργαλεία. Ελέγξτε εάν τα κινούμενα μέρη είναι σωστά ευθυγραμμισμένα ή αν έχουν μπλοκάρει, εάν έχουν σπάσει κομμάτια και εάν πληρούνται όλες οι υπόλοιπες συνθήκες που ενδεχομένως να επηρεάσουν τη σωστή λειτουργία του εργαλείου. Δώστε τυχόν χαλασμένα εξαρτήματα του ηλεκτρικού εργαλείου για επισκευή πριν το χρησιμοποιήσετε πάλι.**
Η ανεπαρκής συντήρηση των ηλεκτρικών εργαλείων αποτελεί αιτία πολλών ατυχημάτων.
- f. **Διατηρείτε τα κοπτικά εργαλεία κοφτερά και καθαρά.**
Τα κοπτικά εργαλεία με αιχμηρά κοπτικά άκρα που συντηρούνται σωστά έχουν λιγότερες πιθανότητες να μπλοκάρουν και ελέγχονται ευκολότερα.
- g. **Να χρησιμοποιείτε τα ηλεκτρικά εργαλεία, τα εξαρτήματα και τα άκρα των εργαλείων κλπ σύμφωνα με τις παρούσες οδηγίες καθώς και όπως προβλέπεται για τον κάθε τύπο μηχανήματος, λαμβάνοντας υπόψη σας τις συνθήκες εργασίας και την εργασία που θέλετε να εκτελέσετε.**
Η χρήση του ηλεκτρικού εργαλείου για άλλες εκτός από τις προβλεπόμενες εργασίες μπορεί να δημιουργήσει επικίνδυνες καταστάσεις.
5. **Χρήση και συντήρηση του εργαλείου μπαταρίας**
- a. **Πριν τοποθετήσετε τη μπαταρία βεβαιωθείτε ότι ο διακόπτης λειτουργίας βρίσκεται στη θέση "OFF".**
Η τοποθέτηση της μπαταρίας στο ηλεκτρικό εργαλείο όταν ο διακόπτης λειτουργίας βρίσκεται στη θέση "ON" μπορεί να οδηγήσει σε ατυχήματα.
- b. **Να επαναφορτίζετε τις μπαταρίες μόνο με το φορτιστή που προβλέπει ο κατασκευαστής.**
Ένας φορτιστής που είναι κατάλληλος για έναν τύπο μπαταρίας μπορεί να προκαλέσει πυρκαγιά όταν χρησιμοποιηθεί για τη φόρτιση κάποιου άλλου τύπου μπαταρίας.
- c. **Να χρησιμοποιείτε τα ηλεκτρικά εργαλεία μόνο με τις προβλεπόμενες γι' αυτά μπαταρίες.**
Η χρήση μπαταριών διαφορετικού τύπου μπορεί να οδηγήσει σε τραυματισμούς ή πυρκαγιά.
- d. **Να φυλάτε τις μπαταρίες που δεν χρησιμοποιείτε μακριά από μεταλλικά αντικείμενα, όπως συνδεδητές χαρτιών, νομίσματα, κλειδιά, καρφιά, βίδες κι άλλα παρόμοια μικροαντικείμενα, τα οποία θα μπορούσαν να γεφυρώσουν τους δυο πόλους.**
Τυχόν βραχυκύκλωση των πόλων της μπαταρίας μπορεί να προκαλέσει εγκαύματα ή πυρκαγιά.
- e. **Υπό δυσμενείς συνθήκες λειτουργίας μπορεί να διαρρεύσουν υγρά από τη μπαταρία. Αποφεύγετε κάθε επαφή με μια μη στεγανή μπαταρία. Σε περίπτωση ακούσιας επαφής με τα υγρά, ξεπλύνετε αμέσως με νερό. Εκτός από αυτό, αν τα υγρά δεισιδύσουν στα μάτια σας, επισκεφτείτε χωρίς καθυστέρηση ένα γιατρό.**
Τα διαρρέοντα υγρά των μπαταριών μπορεί να προκαλέσουν ερεθισμούς ή και εγκαύματα.
6. **Σέρβις**
- a. **Το σέρβις του ηλεκτρικού σας εργαλείου πρέπει να αναλαμβάνει έμπειρος τεχνικός που θα χρησιμοποιεί μόνο γνήσια ανταλλακτικά.**
Έτσι εξασφαλίζεται η διατήρηση της ασφάλειας του ηλεκτρικού εργαλείου.

Συμπληρωματικές οδηγίες ασφαλείας για κρουστικό τρυπάνι

- ◆ **Να φοράτε ωτασπίδες για τα αυτιά με κρουστικά τρυπάνια.** Η έκθεση σε θόρυβο μπορεί να προκαλέσει απώλεια ακοής.
- ◆ **Χρησιμοποιείτε βοηθητικές λαβές που παρέχονται με το εργαλείο.** Η απώλεια ελέγχου μπορεί να προκαλέσει σωματικές βλάβες.

Συμπληρωματικές οδηγίες ασφαλείας για δραπενοκατσάβιδα

- ◆ **Πιάνετε το μηχάνημα μόνο από τις μονωμένες επιφάνειές του όταν κατά την εργασία σας υπάρχει κίνδυνος το εργαλείο κοπής να “χτυπήσει” ηλεκτρικές γραμμές ή το ηλεκτρικό καλώδιο του ίδιου του μηχανήματος.** Η επαφή με μια υπό τάση ευρισκόμενη ηλεκτρική γραμμή θέτει επίσης και τα μεταλλικά τμήματα του μηχανήματος υπό τάση κι έτσι μπορεί να οδηγήσει σε ηλεκτροπληξία.
- ◆ **Χρησιμοποιήστε σφικτήρες ή κάποιο άλλο πρακτικό μέσο για να ασφαλίστε και στηρίξετε το τεμάχιο εργασίας σε μια σταθερή επιφάνεια.** Το κράτημα με το χέρι ή με το σώμα σας το κάνει ασταθές και μπορεί να οδηγήσει στο χάσιμο ελέγχου.
- ◆ Πριν από τη διάτρηση τοίχων, δαπέδων ή οροφών, εντοπίστε τις θέσεις όπου βρίσκονται καλώδια και σωληνώσεις.
- ◆ Αποφύγετε να αγγίξετε τη μύτη ενός τρυπανιού αμέσως μετά τη διάτρηση, καθώς ενδέχεται να είναι πολύ ζεστή.

Επιπρόσθετες οδηγίες ασφαλείας για μπαταρίες και φορτιστές**Μπαταρίες**

- ◆ Μην επιχειρήσετε ποτέ να την ανοίξετε, για κανένα λόγο.
- ◆ Μην εκθέτετε την μπαταρία σε νερό.
- ◆ Μην την αποθηκεύετε σε χώρους όπου η θερμοκρασία μπορεί να υπερβεί τους 40 °C.
- ◆ Να τη φορτίζετε μόνο σε θερμοκρασία περιβάλλοντος μεταξύ 10 °C και 40 °C.
- ◆ Η φόρτιση πρέπει να γίνεται μόνο με το φορτιστή που παρέχεται με το εργαλείο.
- ◆ Όσον αφορά την απόρριψη των μπαταριών, ακολουθήστε τις οδηγίες που παρατίθενται στην ενότητα “Προστασία του περιβάλλοντος”.

Φορτιστές

- ◆ Χρησιμοποιήστε μόνο το φορτιστή της Black & Decker για τη φόρτιση μπαταριών του τύπου που συνοδεύει το εργαλείο σας. Σε άλλες μπαταρίες ενδέχεται να σημειωθεί διάρρηξη, προκαλώντας τραυματισμό και ζημιά.
- ◆ Μην επιχειρήσετε ποτέ να επαναφορτίσετε μη επαναφορτιζόμενες μπαταρίες.
- ◆ Αντικαταστήστε αμέσως τα ελαττωματικά καλώδια.
- ◆ Μην εκθέτετε το φορτιστή σε νερό.

- ◆ Μην ανοίγετε το φορτιστή.
- ◆ Μην επιχειρήσετε να διερευνήσετε το εσωτερικό του φορτιστή.



Ο φορτιστής προορίζεται μόνο για χρήση σε εσωτερικούς χώρους.



Διαβάστε τον εγχειρίδιο οδηγιών πριν τη χρήση.



Μετασχηματιστής απομόνωσης ασφαλούς λειτουργίας. Η παροχή ρεύματος είναι ηλεκτρικά διαχωρισμένη από την έξοδο του μετασχηματιστή.



Η τροφοδοσία του φορτιστή διακόπτεται αυτόματα εάν η θερμοκρασία του περιβάλλοντος γίνει πολύ υψηλή. Ος συνέπεια ο φορτιστής δεν θα είναι λειτουργήσιμος. Η μονάδα πρέπει να αποσυνδεθεί από την κεντρική παροχή ρεύματος και να αποσταλεί σε ένα εξουσιοδοτημένο κέντρο επισκευής για επισκευή.

Ηλεκτρική ασφάλεια

Ο φορτιστής σας φέρει διπλή μόνωση. Κατά συνέπεια δε χρειάζεται καλώδιο γείωσης. Βεβαιωθείτε ότι η τάση του φορτιστή σας αντιστοιχεί με την τάση του δικτύου σας. Ποτέ μην επιχειρήσετε να υποκαταστήσετε το φορτιστή με κοινή πρίζα ρεύματος.

- ◆ Αυτό το εργαλείο δεν πρέπει να χρησιμοποιηθεί από νέους ή ασταθές άτομα χωρίς επίτηρηση. Τα παιδιά πρέπει να επιτηρηθούν για να βεβαιωθείτε ότι δεν παίζουν με το εργαλείο.
- ◆ Αν το καλώδιο ρεύματος έχει υποστεί βλάβη, πρέπει να αντικατασταθεί από τον κατασκευαστή ή από εξουσιοδοτημένο Κέντρο Επισκευών Black & Decker ώστε να αποφύγετε τους κινδύνους.

Γενική Επισκόπηση

1. Διακόπτης δεξιόστροφης/αριστερόστροφης περιστροφής
2. Εξωτερικός δακτύλιος υποδοχής μύτης

Εικ. Α

3. Υποδοχή για φορτιστή
4. Φορτιστής
5. Βύσμα φορτιστή

Συναρμολόγηση

Τοποθέτηση και αφαίρεση τρυπανιού, μύτη υποδοχής ή μύτης κατασβιδιού (εικ. Β)

Το εργαλείο χρησιμοποιεί μύτες υποδοχών, μύτες κατασβιδιού και τρυπάνια με εξαγωνικό στέλεχος 6,35 mm (1/4").

- ♦ Τραβήξτε προς τα πίσω τον εξωτερικό δακτύλιο της υποδοχής μύτης (2).
- ♦ Εισάγετε τον άξονα της μύτης (6) στην υποδοχή μύτης.
- ♦ Απελευθερώστε τον εξωτερικό δακτύλιο της υποδοχής μύτης.

Χρήση

Φόρτιση της μπαταρίας (εικ. Α)

Η μπαταρία πρέπει να φορτιστεί πριν από την πρώτη χρήση και όποτε δεν μπορεί να παράγει αρκετή ισχύ για εργασίες που παλαιότερα εκτελούνταν με ευκολία. Όταν η μπαταρία φορτίζεται για πρώτη φορά ή μετά από παρατεταμένη αποθήκευση, θα φορτιστεί μόνο κατά το 80%. Μετά από μερικούς κύκλους φόρτισης και αποφόρτισης, η μπαταρία θα αποκτήσει πλήρη χωρητικότητα. Η μπαταρία μπορεί να ζεσταθεί κατά τη φόρτισή της. Αυτό είναι φυσιολογικό και δεν είναι ενδεικτικό κάποιου προβλήματος.

Προειδοποίηση! Μη φορτίζετε τη μπαταρία σε θερμοκρασίες περιβάλλοντος κάτω των 4 °C ή άνω των 40 °C.

Συνιστώμενη θερμοκρασία φόρτισης: περίπου 24 °C.

- ♦ Για να φορτίσετε τη μπαταρία, τοποθετήστε το βύσμα του φορτιστή (5) στην υποδοχή (3). Βεβαιωθείτε ότι η κεφαλή είναι σε ευθεία θέση.
- ♦ Βάλτε το φορτιστή (4) στην πρίζα.
- ♦ Αφήστε το εργαλείο συνδεδεμένο στο φορτιστή για 6-8 ώρες.

Ο φορτιστής μπορεί να βου ζει και να ζεσταθεί κατά τη φόρτιση. Αυτό είναι φυσιολογικό και δεν είναι ενδεικτικό κάποιου προβλήματος.

Γενικά, η φόρτιση επί 6 ώρες επιτρέπει στο εργαλείο να λειτουργήσει με αποτελεσματικό επίπεδο ενέργειας στις περισσότερες εργασίες. Ωστόσο, ο μεγαλύτερος χρόνος φόρτισης, έως και 8 ώρες, αυξάνει σημαντικά το χρόνο λειτουργίας, ανάλογα με τη μπαταρία και τις συνθήκες φόρτισης.

- ♦ Πριν χρησιμοποιήσετε το εργαλείο, βγάλτε το φορτιστή από την πρίζα και αποσυνδέστε το εργαλείο από το φορτιστή.

Προειδοποίηση! Μη χρησιμοποιείτε το εργαλείο όταν αυτό είναι συνδεδεμένο στο φορτιστή.

Διάρθρωση / βίδωμα (εικ. C)

Για διάρθρωση και για τη σύσφιξη βιδών, χρησιμοποιείτε την περιστροφή προς τα εμπρός (δεξιόστροφη). Για το ξεβίδωμα των βιδών ή για να αφαιρέσετε τρυπάνι που έχει κολλήσει, χρησιμοποιείτε την ανάποδη περιστροφή (αριστερόστροφη).

- ♦ Για να θέσετε το εργαλείο σε λειτουργία σε περιστροφή προς τα εμπρός, πατήστε το πάνω κουμπί στο διακόπτη περιστροφής προς τα εμπρός/περιστροφής προς τα πίσω (1).
- ♦ Για να θέσετε το εργαλείο σε λειτουργία σε περιστροφή προς τα πίσω, πατήστε το κάτω κουμπί στο διακόπτη περιστροφής προς τα εμπρός/περιστροφής προς τα πίσω (1).
- ♦ Για να θέσετε το εργαλείο εκτός λειτουργίας, αφήστε το διακόπτη.

Συμβουλές για άριστη χρήση

Διάρθρωση

- ♦ Να ασκείτε πάντα μια ελαφρά πίεση στην ίδια ευθεία με το τρυπάνι.
- ♦ Μόλις πριν το τρυπάνι βγει από την άλλη πλευρά του τεμαχίου εργασίας, ελαττώστε την ασκούμενη πίεση στο εργαλείο.
- ♦ Χρησιμοποιήστε ένα κομμάτι ξύλο για να στηρίξετε τα τεμάχια εργασίας, των οποίων το υλικό ενδέχεται να εμφανίσει ρωγμές κατά το τρύπημα.
- ♦ Για τη διάρθρωση σε μέταλλο, χρησιμοποιήστε τρυπάνια από ταχυχάλυβα (HSS).
- ♦ Χρησιμοποιήστε λιπαντικό κατά τη διάρθρωση μετάλλων εκτός από χυτοσίδηρο και ορείχαλκο.
- ♦ Δημιουργήστε μια μικρή εγκοπή με μία πόντα στο κέντρο της οπής που θα τρυπηθεί προκειμένου να τρυπήσετε με μεγαλύτερη ακρίβεια.

Βίδωμα

- ♦ Να χρησιμοποιείτε πάντα τον κατάλληλο τύπο και μέγεθος μύτης κατασβιδιού.
- ♦ Αν το σφίξιμο των βιδών παρουσιάζει δυσκολία, απλώστε μικρή ποσότητα υγρού απορρυπαντικού ή σαπουνιού σαν λιπαντικό.
- ♦ Το εργαλείο και η μύτη του κατασβιδιού πρέπει να κρατούνται πάντα στην ίδια ευθεία με τη βίδα.
- ♦ Όταν βιδώνετε σε ξύλο, συνιστάται να ανοίγετε πρώτα μια τρύπα-οδηγό με ίδιο βάθος με το μήκος της βίδας. Η τρύπα-οδηγός καθοδηγεί τη βίδα και προλαμβάνει το σκίσιμο ή την παραμόρφωση του ξύλου. Για το κατάλληλο μέγεθος της τρύπας-οδηγού, ανατρέξτε στον πίνακα που ακολουθεί.

- ♦ Όταν βιδώνετε σε σκληρό ξύλο, ανοίγετε επίσης μια τρύπα για διάκενο με βάθος ίσο με το μισό μήκος της βίδας. Για το κατάλληλο μέγεθος της τρύπας για διάκενο, ανατρέξτε στον πίνακα που ακολουθεί.

Μέγεθος βίδας	θ τρύπας-οδηγού (μαλακό ξύλο)	θ τρύπας-οδηγού (σκληρό ξύλο)	Τρύπα για διάκενο
Αρ. 6 (3,5 mm)	2,0 mm	2,5 mm	3,6 mm
Αρ. 8 (4 mm)	2,5 mm	3,0 mm	4,5mm
Αρ. 10 (5 mm)	3,0 mm	3,5 mm	5,0 mm
Αρ. 12 (5,5 mm)	3,5 mm	4,0 mm	5,5 mm

Σημείωση: Όταν ενεργοποιείται ο μηχανισμός κρούσης, παράγεται ένας ήχος. Αυτό είναι φυσιολογικό και δεν αποτελεί πρόβλημα.

Εξαρτήματα

Η απόδοση του εργαλείου σας εξαρτάται από τα εξαρτήματα που χρησιμοποιείτε. Τα εξαρτήματα Black & Decker και Piranha είναι σχεδιασμένα σύμφωνα με πρότυπα υψηλής ποιότητας για να βελτιώνουν την απόδοση του εργαλείου σας. Χρησιμοποιώντας τα θα επιτύχετε τη βέλτιστη απόδοση του εργαλείου.

Το εργαλείο χρησιμοποιεί μύτες υποδοχών, μύτες κατασβιδιού και τρυπάνια με εξαγωνικό στέλεχος 6,35 mm (1/4"). Τα εξαρτήματα Piranha Super-Iok είναι σχεδιασμένα για χρήση με το εργαλείο αυτό.

Προειδοποίηση! Χρησιμοποιήστε μόνο τα σωστά εξαρτήματα κρούσης με το εργαλείο σας. Οι μύτες κατασβιδιού μικρότερες από 50 mm δεν είναι κατάλληλες για χρήση με αυτό το εργαλείο.

Συντήρηση

Αυτό το εργαλείο της Black & Decker έχει σχεδιαστεί έτσι ώστε να λειτουργεί για μεγάλο χρονικό διάστημα με την ελάχιστη δυνατή φροντίδα. Η αδιάλειπτη και κανονική λειτουργία του εργαλείου εξαρτάται από τη φροντίδα και τον τακτικό καθαρισμό.

Ο φορτιστής σας δεν απαιτεί καμία συντήρηση εκτός από τον τακτικό καθαρισμό του.

Προειδοποίηση! Βγάλτε τον φορτιστή από την πρίζα πριν τον καθαρίσετε.

- ♦ Καθαρίζετε τακτικά τις οπές εξερισμού του εργαλείου σας και του φορτιστή με μαλακή βούρτσα ή με στεγνό πανί.
- ♦ Να καθαρίζετε τακτικά το περιβλήμα του μοτέρ χρησιμοποιώντας ένα υγρό πανί. Μη χρησιμοποιείτε αποξεστικά καθαριστικά ή υγρά καθαρισμού που περιέχουν διαλύτες.

Διάθεση εργαλείων και περιβάλλον



Ξεχωριστή συλλογή. Αυτό το προϊόν δεν πρέπει να απορριφθεί με συνηθισμένα σπιτικά απορρίμματα.

Εάν κάποια μέρα διαπιστώσετε ότι το προϊόν σας Black & Decker χρειάζεται αντικατάσταση ή δεν σας χρησιμεύει πλέον, μην το απορριψίτε με τα σπιτικά απορρίμματα. Κάντε αυτό το προϊόν διαθέσιμο για ξεχωριστή συλλογή.



Η ξεχωριστή συλλογή χρησιμοποιημένων προϊόντων και συσκευασιών επιτρέπει την ανακύκλωση υλικών. Η επανάχρηση ανακυκλωμένων υλικών βοηθάει την προστασία του περιβάλλον και μειώνει την ζήτηση για σπάνια υλικά.

Οι τοπικοί κανονισμοί μπορεί να παρέχουν ξεχωριστή συλλογή ηλεκτρικών προϊόντων από κατοικίες, δημοτικές τοποθεσίες απορριμμάτων ή από τον έμπορα όταν αγοράσατε το καινούργιο προϊόν.

Η Black & Decker δίνει τη δυνατότητα συλλογής και ανακύκλωσης των προϊόντων της που έχουν συμπληρώσει τη διάρκεια ζωής τους. Αν θέλετε να χρησιμοποιήσετε την εν λόγω υπηρεσία, επιστρέψτε το προϊόν σας σε οποιοδήποτε εξουσιοδοτημένο κέντρο επισκευών, όπου θα το παραλάβουν εκ μέρους σας.

Ενημερωθείτε για το πλησιέστερο κέντρο επισκευών της περιοχής σας, επικοινωνώντας με τα γραφεία της Black & Decker στη διεύθυνση που αναγράφεται στο εγχειρίδιο. Επίσης, για να πληροφορηθείτε τα εξουσιοδοτημένα κέντρα επισκευών της Black & Decker και τις λεπτομέρειες και τους αρμόδιους των υπηρεσιών που παρέχονται μετά την πώληση, μπορείτε ανατρέξτε στο Διαδίκτυο στη διεύθυνση: www.2helpU.com

Μπαταρίες



Οι μπαταρίες Black & Decker μπορούν να επαναφορτιστούν πολλές φορές. Όταν πλέον δεν μπορούν να ξαναχρησιμοποιηθούν, απορριψίτε τις με τρόπο κατάλληλο για το περιβάλλον:

- ♦ Εξαντλήστε πλήρως τη μπαταρία και μετά αφαιρέστε την από το εργαλείο.
- ♦ Οι μπαταρίες NiCd και NiMH είναι ανακυκλώσιμες. Στείλτε τις σε κάποιο εξουσιοδοτημένο κέντρο επισκευών ή στον τοπικό σταθμό ανακύκλωσης.

Τεχνικά χαρακτηριστικά

		ΧΤC60K
Τάση	V_{DC}	6
Ταχύτητα άφορτου κίνησης	min^{-1}	2.100
Κρούση χωρίς φορτίο	min^{-1}	5.600
Μέγιστη ροπή	Nm	35
Υποδοχή συγκράτησης μύτης		1/4" (6,35 mm εξαγωνική)
Μέγιστη δυνατότητα διάτρησης	mm	6
Βάρος	kg	0,9

Φορτιστής

Τάση δικτύου	V_{AC}	230
Χρόνος φόρτισης κατά προσέγγιση	h	6-8
Βάρος	kg	0,2

Δήλωση συμμόρφωσης με την Ευρωπαϊκή Κοινότητα ΧΤC60K

Η Black & Decker δηλώνει ότι τα προϊόντα αυτά συμμορφώνονται με:

98/37/EK, 89/336/EOK, 73/23/EOK, EN 60745, EN 60335, EN 55014, EN 61000

L_{PA} (πίεση ήχου) 73,7 dB(A), L_{WA} (ακουστική ισχύς) 84,7 dB(A),
χειροβραχιονική δόνηση 1,72 m/s^2

K_{PA} (αβεβαιότητα πίεσης ήχου) 3 dB(A),
 K_{WA} (αβεβαιότητα ακουστικής ισχύς) 3 dB(A)



Kevin Hewitt
Διευθυντής Εξυπηρέτησης Πελατών
Spennymoor, County Durham DL16 6JG,
Αγγλία
1-7-2006

Εγγύηση

Η Black & Decker είναι σίγουρη για την ποιότητα των προϊόντων της και παρέχει σημαντική εγγύηση. Η παρούσα γραπτή εγγύηση αποτελεί πρόσθετο δικαίωμά σας και δεν ζημιώνει τα συνταγματικά σας δικαιώματα. Η εγγύηση ισχύει εντός της επικράτειας των Κρατών Μελών της Ευρωπαϊκής Ένωσης και της Ευρωπαϊκής Ζώνης Ελευθέρων Συναλλαγών.



Σε περίπτωση που κάποιο προϊόν Black & Decker XT (εκτός τα αξεσουάρ, εξαρτήματα, μπαταρίες, φορτιστές και τσοκ) παρουσιάσει βλάβη εξαιτίας ελαττωματικών υλικών, ποιότητας εργασίας ή έλλειψης συμφωνίας με τις προδιαγραφές εντός 3 χρόνων από την ημερομηνία αγοράς, η Black & Decker εγγυάται την αντικατάσταση των ελαττωματικών τμημάτων, την επισκευή προϊόντων που έχουν υποστεί εύλογη φθορά λόγω χρήσης ή την αντικατάσταση των προϊόντων υπό την προϋπόθεση ότι το προϊόν έχει καταχωρηθεί στην ιστοσελίδα εγγύησης της Black & Decker XT έως 90 ημέρες από την ημερομηνία αγοράς.

Αν το προϊόν δεν έχει καταχωρηθεί, τότε ισχύει μόνο η βασική εγγύηση (2 χρόνων).

Η εγγύηση δεν ισχύει αν:

- Το προϊόν έχει χρησιμοποιηθεί σε εργασιακό, επαγγελματικό περιβάλλον ή αν έχει εννοικιαστεί
- Έχει γίνει εσφαλμένη χρήση του προϊόντος ή αν έχει παραμεληθεί
- Το προϊόν έχει υποστεί βλάβη από άλλα αντικείμενα, από ουσίες ή λόγω ατυχήματος
- Οι επισκευές έχουν επιχειρηστεί από μη εξουσιοδοτημένα πρόσωπα;
- Το προϊόν έχει προσαρμοστεί με οποιοδήποτε τρόπο από τις γνήσιες προδιαγραφές.
- Έχουν χρησιμοποιηθεί ακατάλληλα αξεσουάρ ή εξαρτήματα.

Η επεκτεταμένη εγγύηση δεν ισχύει αν:

- Δεν υπάρχει απόδειξη αγοράς και γνήσιο πιστοποιητικό επεκτεταμένης εγγύησης.

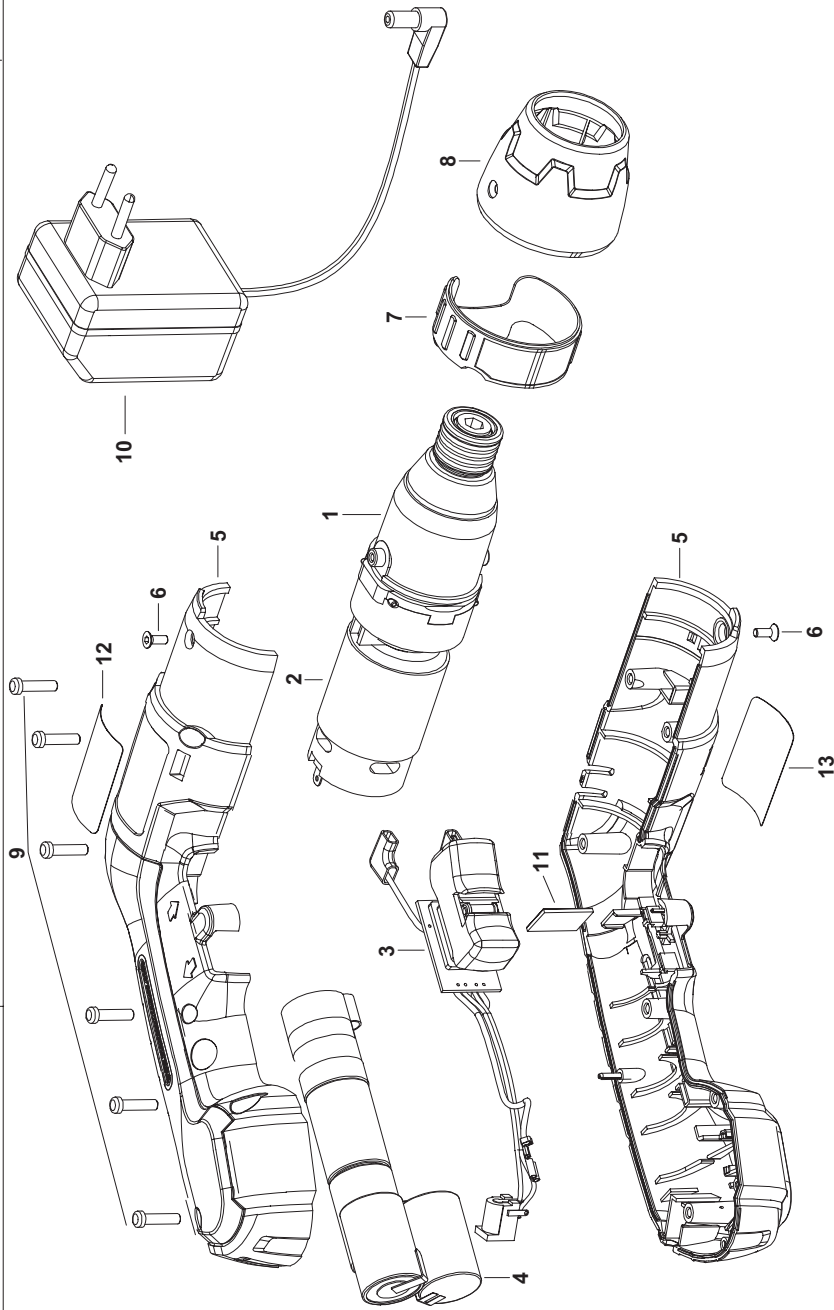
Καταχωρίστε τώρα το νέο σας προϊόν στη διεύθυνση www.blackanddecker.gr/xt για να εκμεταλλευτείτε την επεκτεταμένη εγγύηση (3 χρόνων), και για να κρατηθείτε ενημερωμένοι για τα νέα προϊόντα και ειδικές προσφορές.

Για να ισχύσει η εγγύηση, πρέπει να υποβάλετε απόδειξη αγοράς στον πωλητή ή το εξουσιοδοτημένο κέντρο επισκευών. Ενημερωθείτε για το πλησιέστερο κέντρο επισκευών της περιοχής σας, επικοινωνώντας με τα γραφεία της Black & Decker στη διεύθυνση που αναγράφεται στο εγχειρίδιο. Επίσης, για να πληροφορηθείτε τα εξουσιοδοτημένα κέντρα επισκευών της Black & Decker και τις λεπτομέρειες και τους αρμόδιους των υπηρεσιών που παρέχονται μετά την πώληση, μπορείτε να ανατρέξετε στο Διαδίκτυο στη διεύθυνση: www.2helpU.com

Περισσότερες πληροφορίες σχετικά με τη μάρκα Black & Decker και τη σειρά προϊόντων μας θα βρείτε στη διεύθυνση www.blackanddecker.com

XTC60K

TYP.
1



Australia	Black & Decker (Australia) Pty. Ltd. 20 Fletcher Road, Mooroolbark, Victoria, 3138	Tel. 03-8720 5100 Fax 03-9727 5940
België/Belgique	Black & Decker (Belgium) N.V. Nieuwlandlaan 321 3200 Aarschot	Tel. 016 68 91 00 Fax 016 68 91 11
Danmark	Black & Decker Sluseholmen 2-4, 2450 København SV Internet: www.blackanddecker.dk	Tel. 70 20 15 10 Fax 70 22 49 10
Deutschland	Black & Decker GmbH Black & Decker Str. 40, D - 65510 Idstein	Tel. 06126/21 - 0 Fax 06126/21 29 80
Ελλάδα	Black & Decker (Ελλάς) Α.Ε. Στράβωνος 7 & Λεωφ. Βουλιαγμένης 159 166 74 Γλυφάδα - Αθήνα	Τηλ. 210 8981616 Φαξ 210 8983285 www.blackanddecker.gr
España	Black & Decker Ibérica, S.C.A. Parc de Negocis "Mas Blau" Edificio Muntadas, c/Bergadá, 1, Of. A6 08820 El Prat de Llobregat (Barcelona)	Tel. 934 797 400 Fax 934 797 419
France	Black & Decker (France) S.A.S. B.P. 21, 69571 Dardilly Cédex	Tel. 04 72 20 39 20 Fax 04 72 20 39 00
Helvetia	ROFO AG Gewerbezone Seeblick 3213 Kleinbödingen	Tel. 026-6749391 Fax 026-6749394
Italia	Black & Decker Italia SpA Viale Elvezia 2 20052 Monza (MI)	Tel. 039-23871 Fax 039-2387592/2387594 Numero verde 800-213935
Nederland	Black & Decker Benelux Joulehof 12, 4622 RG Bergen op Zoom	Tel. 0164 - 283000 Fax 0164 - 283100
New Zealand	Black & Decker 81 Hugo Johnston Drive Penrose, Auckland, New Zealand	Tel. 09 579 7600 Fax 09 579 8200
Norge	Black & Decker (Norge) A/S Postboks 4814, Nydalen, 0422 Oslo Internet: www.blackanddecker.no	Tlf. 22 90 99 00 Fax 22 90 99 01
Österreich	Black & Decker Vertriebsges.m.b.H Oberlaaerstraße 246, A1100 Wien	Tel. 01 66116-0 Fax 01 66116-14
Portugal	Black & Decker Rua Egas Moniz 173 S. João do Estoril 2766-651 Estoril	Tel. 214667500 Fax 214667580
Suomi	Black & Decker Oy Keilasatama 3, 02150 Espoo Black & Decker Oy, Kägelhamnen 3, 02150 Esbo	Puh.: 010 400 430 Faksi: (09) 2510 7100 Tel: 010 400 430 Fax: (09) 2510 7100
Sverige	Black & Decker AB Fabriksg. 7, 412 50 Göteborg	Tel: 031-68 60 60 Fax: 031-68 60 80
United Kingdom	Black & Decker 210 Bath Road Slough, Berkshire SL1 3YD	Tel. 01753 511234 Fax 01753 551155 Helpline 01753 574277
Middle East & Africa	Black & Decker (Overseas) A.G. PB 5420, Dubai, United Arab Emirates	Tel. +971 4 2826464 Fax +971 4 2826466