

DEWALT®

www.**DEWALT**.eu

DW256
DW266
DW268
DW269

Figure 1

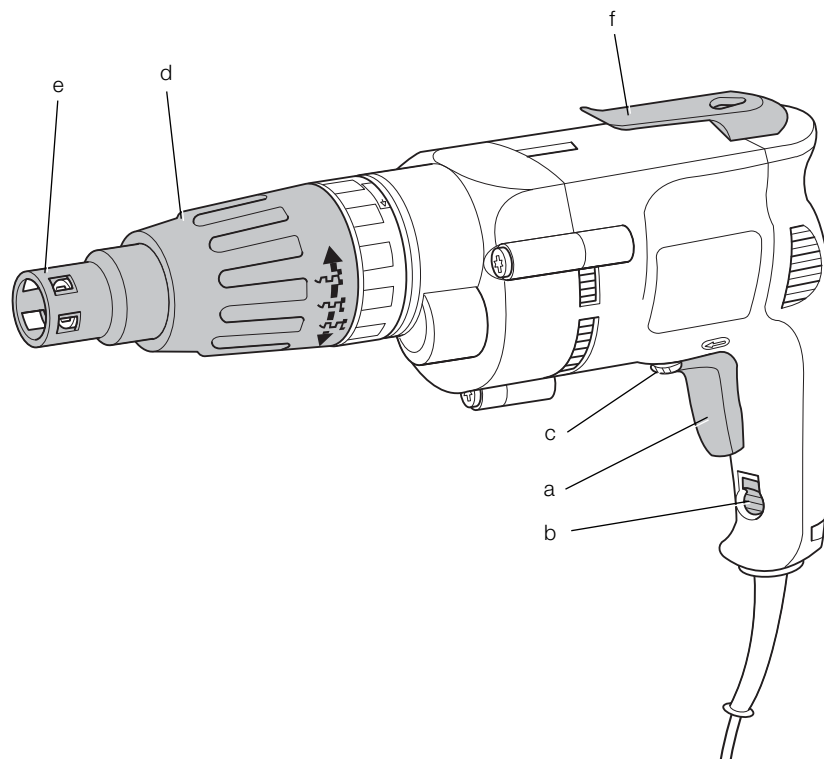


Figure 2

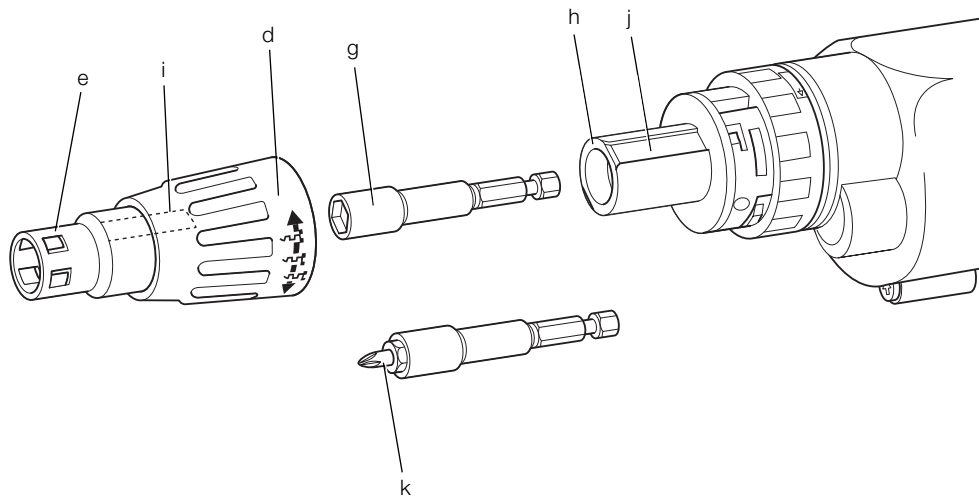


Figure 3

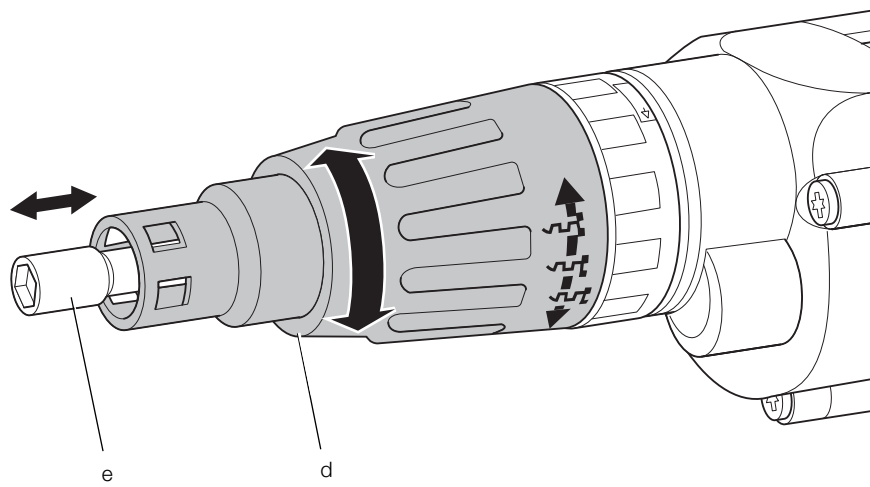


Figure 4

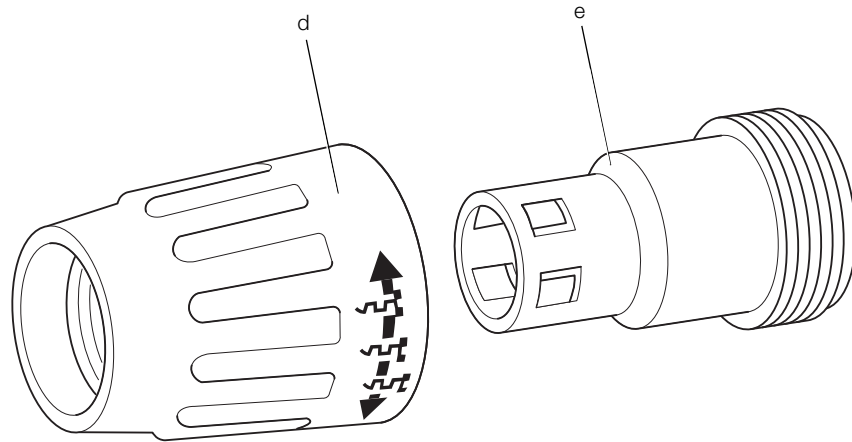


Figure 5

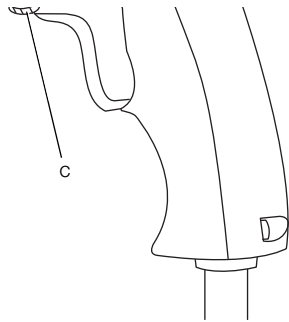
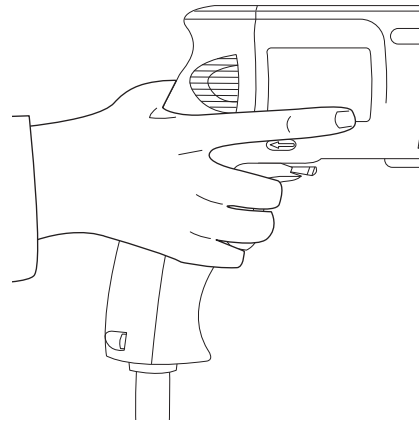


Figure 6



DRYWALL SCREWDRIVER

DW256/DW266/DW268/DW269

Congratulations!

You have chosen a DEWALT tool. Years of experience, thorough product development and innovation make DEWALT one of the most reliable partners for professional power tool users.

Technical data

		DW256	DW266	DW268	DW269
Voltage	V	230	230	230	230
Power output	W	540	540	540	540
No load speed	min ⁻¹	0–4,000	0–2,500	0–2,500	0–1,000
Bit holder		1/4" hex	1/4" hex	1/4" hex	1/4" hex
Clutching method		depth sensitive	depth sensitive	Versa clutch	Versa clutch
Weight	kg	1.4	1.4	1.4	1.4
L_{pA} (sound pressure)	dB(A)	87	87	85	84
K_{pA} (sound pressure uncertainty)	dB(A)	3	3	3	3
L_{WA} (acoustic power)	dB(A)	92	94	92	91
K_{WA} (acoustic power uncertainty)	dB(A)	5.8	3.5	3.8	4.0

Vibration total values (triax vector sum) determined according to EN 60745:

Screwdriving without impact					
$a_h =$	m/s ²	< 2.5	< 2.5	< 2.5	< 2.5
Uncertainty K =	m/s ²	1.5	1.5	1.5	1.5

The vibration emission level given in this information sheet has been measured in accordance with a standardised test given in EN 60745 and may be used to compare one tool with another. It may be used for a preliminary assessment of exposure.



WARNING: The declared vibration emission level represents the main applications of the tool. However if the tool is used for different applications, with different accessories or poorly maintained, the vibration emission may differ. This may significantly increase the exposure level over the total working period.

An estimation of the level of exposure to vibration should also take into account the times when the tool is switched off or when it is running but not actually doing the job. This may significantly reduce the exposure level over the total working period.

Identify additional safety measures to protect the operator from the effects of vibration such as: maintain the tool and the accessories, keep the hands warm, organisation of work patterns.

Definitions: Safety Guidelines

The definitions below describe the level of severity for each signal word. Please read the manual and pay attention to these symbols.



DANGER: Indicates an imminently hazardous situation which, if not avoided, **will result in death or serious injury.**



WARNING: Indicates a potentially hazardous situation which, if not avoided, **could result in death or serious injury.**



CAUTION: Indicates a potentially hazardous situation which, if not avoided, **may result in minor or moderate injury.**

CAUTION: Used without the safety alert symbol indicates a potentially hazardous situation which, if not avoided, **may result in property damage.**



Denotes risk of electric shock.



Denotes risk of fire.

EC-Declaration of Conformity



DW256/DW266/DW268/DW269

DEWALT declares that these products described under "technical data" have been designed in compliance with:

98/37/EEC (until Dec. 28, 2009), 2004/108/EC, 2006/42/EC (from Dec. 29, 2009), 2006/95/EC; EN 60745-1; EN60745-2-2; EN 55014-1; EN 55014-2; EN 61000-3-2, EN61000-3-3.

For more information, please contact DEWALT at the following address or refer to the back of the manual.

The undersigned is responsible for compilation of the technical file and makes this declaration on behalf of DEWALT.

H. Grossmann

Horst Grossmann
Vice President Engineering and Product Development
DEWALT, Richard-Klinger-Straße 11,
D-65510, Idstein, Germany
16.10.08



WARNING: To reduce the risk of injury, read the instruction manual.

General Power Tool Safety Warnings



WARNING! Read all safety warnings and instructions. Failure to follow the warnings and instructions may result in electric shock, fire and/or serious injury.

SAVE ALL WARNINGS AND INSTRUCTIONS FOR FUTURE REFERENCE

The term "power tool" in the warnings refers to your mains-operated (corded) power tool or battery-operated (cordless) power tool.

1) WORK AREA SAFETY

- a) **Keep work area clean and well lit.** Cluttered or dark areas invite accidents.
- b) **Do not operate power tools in explosive atmospheres, such as in the presence of flammable liquids, gases or dust.** Power tools create sparks which may ignite the dust or fumes.
- c) **Keep children and bystanders away while operating a power tool.** Distractions can cause you to lose control.

2) ELECTRICAL SAFETY

- a) **Power tool plugs must match the outlet. Never modify the plug in any way. Do not use any adapter plugs with earthed (grounded) power tools.** Unmodified plugs and matching outlets will reduce risk of electric shock.
- b) **Avoid body contact with earthed or grounded surfaces such as pipes, radiators, ranges and refrigerators.** There is an increased risk of electric shock if your body is earthed or grounded.
- c) **Do not expose power tools to rain or wet conditions.** Water entering a power tool will increase the risk of electric shock.
- d) **Do not abuse the cord. Never use the cord for carrying, pulling or unplugging the power tool. Keep cord away from heat, oil, sharp edges or moving parts.** Damaged or entangled cords increase the risk of electric shock.
- e) **When operating a power tool outdoors, use an extension cord suitable for outdoor use.** Use of a cord suitable for outdoor use reduces the risk of electric shock.
- f) **If operating a power tool in a damp location is unavoidable, use a residual current device (RCD) protected supply.** Use of an RCD reduces the risk of electric shock.

3) PERSONAL SAFETY

- a) **Stay alert, watch what you are doing and use common sense when operating a power tool. Do not use a power tool while you are tired or under the influence of drugs, alcohol or medication.** A moment of inattention while operating power tools may result in serious personal injury.
- b) **Use personal protective equipment. Always wear eye protection.** Protective equipment such as dust mask, non-skid safety shoes, hard hat, or hearing protection used for appropriate conditions will reduce personal injuries.
- c) **Prevent unintentional starting. Ensure the switch is in the off position before connecting to power source and/or battery pack, picking up or carrying the tool.** Carrying power tools with your finger on the switch or energising power tools that have the switch on invites accidents.
- d) **Remove any adjusting key or wrench before turning the power tool on.** A wrench or a key left attached to a rotating part of the power tool may result in personal injury.
- e) **Do not overreach. Keep proper footing and balance at all times.** This enables better control of the power tool in unexpected situations.
- f) **Dress properly. Do not wear loose clothing or jewellery. Keep your hair, clothing and gloves away from moving parts.** Loose clothes, jewellery or long hair can be caught in moving parts.
- g) **If devices are provided for the connection of dust extraction and collection facilities, ensure these are connected and properly used.** Use of dust collection can reduce dust-related hazards.

4) POWER TOOL USE AND CARE

- a) **Do not force the power tool. Use the correct power tool for your application.** The correct power tool will do the job better and safer at the rate for which it was designed.
- b) **Do not use the power tool if the switch does not turn it on and off.** Any power tool that cannot be controlled with the switch is dangerous and must be repaired.
- c) **Disconnect the plug from the power source and/or the battery pack from the power tool before making any adjustments, changing accessories, or storing power tools.** Such preventive safety

measures reduce the risk of starting the power tool accidentally.

- d) **Store idle power tools out of the reach of children and do not allow persons unfamiliar with the power tool or these instructions to operate the power tool.** Power tools are dangerous in the hands of untrained users.
- e) **Maintain power tools. Check for misalignment or binding of moving parts, breakage of parts and any other condition that may affect the power tool's operation. If damaged, have the power tool repaired before use.** Many accidents are caused by poorly maintained power tools.
- f) **Keep cutting tools sharp and clean.** Properly maintained cutting tools with sharp cutting edges are less likely to bind and are easier to control.
- g) **Use the power tool, accessories and tool bits etc., in accordance with these instructions taking into account the working conditions and the work to be performed.** Use of the power tool for operations different from those intended could result in a hazardous situation.

5) SERVICE

- a) **Have your power tool serviced by a qualified repair person using only identical replacement parts.** This will ensure that the safety of the power tool is maintained.

Additional Specific Safety Rules for Screwdrivers

- **Hold power tool by insulated gripping surface, when performing an operation where the fastener may contact hidden wiring or its own cord (bolt).** Fasteners contacting a "live" wire may make exposed metal parts of the power "live" and could give the operator an electric shock.

Residual Risks

In spite of the application of the relevant safety regulations and the implementation of safety devices, certain residual risks cannot be avoided. These are:

- Impairment of hearing.
- Risk of personal injury due flying particles.
- Risk of burns due to accessories becoming hot during operation.
- Risk of personal injury due to prolonged use.
- Risk of squeezing fingers when changing the accessory.

ENGLISH

- Health hazards caused by breathing dust developed when working in concrete and/or masonry.

Markings on Tool

The following pictograms are shown on the tool:



Read instruction manual before use.

Package Contents

The package contains:

- 1 Pistol grip screwdriver DW266
 - or
 - 1 Universal screwdriver DW268/DW269
 - or
 - 1 Drywall screwdriver DW256
 - 1 Kitbox (K-models only)
 - 1 Instruction manual
 - 1 Exploded drawing
- Check for damage to the tool, parts or accessories which may have occurred during transport.
 - Take the time to thoroughly read and understand this manual prior to operation.

Description (fig. 1–5)



WARNING: Never modify the power tool or any part of it. Damage or personal injury could result.

- a. Variable speed switch
- b. Lock-on button
- c. Forward/reverse slider
- d. Depth adjustment collar (DW256/DW266)
Torque adjustment collar (DW268/DW269)
- e. Depth locator (DW256/DW266)
Ball retainer (DW268/DW269)
- f. Belt clip

DEAD SPINDLE DRIVE CLUTCH

This screwdriver is equipped with a dead spindle feature; the spindle does not turn until the fastener is pressed into the workpiece. This enables fasteners to be placed onto the drive accessory of a running screwdriver.

INTENDED USE

Your DW256 drywall screwdriver has been designed for driving drywall fasteners through drywall board into timber or metal framing studs.

Your DW256 features a silent clutch function.

Your DW266 screwdriver has been designed for professional screwdriving applications and for use as a nutsetter.

Your DW268/DW269 universal screwdriver has been designed for professional screwdriving applications.

DO NOT use under wet conditions or in presence of flammable liquids or gases.

These screwdrivers are professional power tools.

DO NOT let children come into contact with the tool. Supervision is required when inexperienced operators use this tool.

Electrical Safety

The electrical motor has been designed for one voltage only. Always check that power supply corresponds to the voltage on the rating plate.



Your DEWALT tool is double insulated in accordance with EN 60745; therefore no earth wire is required.

If the supply cord is damaged, it must be replaced by a specially prepared cord available through the DEWALT service organization.

ASSEMBLY AND ADJUSTMENTS



WARNING: To reduce the risk of injury, turn unit off and disconnect machine from power source before installing and removing accessories, before adjusting or changing set-ups or when making repairs. Be sure the trigger switch is in the OFF position. An accidental start-up can cause injury.

Fitting and Removing 1/4" Hex Drive Accessories

Your DEWALT screwdriver has a 1/4" hexagonal drive system. The drive accessory is retained in the holder by a ball and a spring which engages in a groove in the accessory shank.

DW268/DW269 (FIG. 1)

1. Pull the ball retainer (e) to the front and hold it.
2. Insert the accessory.
3. Release the ball retainer.

DW256/DW266 (FIG. 2)

1. Remove the collar (d) by pulling it forward.
2. Select the required accessory (both models) and matching depth locator (e) when using a nutsetter (DW266).

- To insert the accessory (g), e.g., a bit holder or nutsetter, push it into the holder (h) until it snaps in place. Tap it lightly if required.
- To remove the accessory pull it out of the holder using a pair of pliers.
- Reinstall the collar (d) by aligning the ribs (i) on the inside of the collar (d) with the grooves (j) in the clutch housing and snap the collar in place.

REPLACING THE BIT TIP (FIG. 2)

Simply pull out the bit tip (k). A pair of pliers maybe required.

Driving Depth (fig. 3) DW256/DW266

The depth sensitive feature offers the following advantages:

- The selected driving depth is repeatable for structural integrity.
- Screws with sealing washers are driven correctly so that no leaks occur.

SETTING THE DRIVING DEPTH

The driving depth is determined by the position of the depth locator (e) in relation to the bit or socket. The symbols on the collar (d) indicate how to set the driving depth.

- Turn the collar (d) clockwise to increase the driving depth.
- Turn the collar (d) counterclockwise to decrease the driving depth.

Using a Nutsetter DW266

- For screws with sealing washers, turn the collar (d) until the end of the nutsetter is flush with the end of the depth locator.
 - If required, turn the collar until the nutsetter is recessed approximately 2 mm into the depth locator.

NOTE: ALWAYS refer to the screw manufacturer's specifications for the proper sealing washer settings in different applications.

- Drive a screw into a waste piece and check the distance between the washer and the material.
- Turn the collar (d) counterclockwise or clockwise to decrease or increase the driving depth as required.
- Drive another screw and readjust the collar (d) until the desired setting is achieved.

Depth Locator (fig. 4) DW266

This model is supplied with two depth locators (e) to accommodate different bits, holders, sockets and adaptors.

TO CHANGE DEPTH LOCATORS

- Pull the collar (d) assembly off the tool.
- Hold the depth locator (e) and unscrew the collar (d).
- Replace the depth locator (e).
- To reassemble, proceed in reverse order.

Torque Adjustment Collar (fig. 1) DW268/DW269

This model allows setting the torque for a wide range of screws.

- To increase the torque, turn the torque adjustment collar (d) counterclockwise.
- To decrease the torque, turn the torque adjustment collar (d) clockwise.
- Drive a screw into a waste piece and check if the screw is properly fastened.
- If the clutch ratchets unexpectedly (for example when a wood knot is encountered), simply increase the pressure on the tool.

Forward/Reverse Switch (fig. 5)



WARNING: Always wait until the motor has come to a complete stand still before changing the direction of rotation.

Select the forward or reverse rotation by moving the forward/reverse switch (c) in the direction indicated by the arrows.

OPERATION

Instructions for Use



WARNING: Always observe the safety instructions and applicable regulations.

Screwdriving or Nutsetting (fig. 1)

- Select the appropriate bit for the screw (or nut) to be driven.
- Select forward or reverse rotation as described above.

ENGLISH

DW266: For nutsetting, always use the correct depth locator (e).

- To run the tool, press the variable speed switch (a). The pressure exerted on the variable speed switch determines the tool speed.

NOTE: If necessary, press the lock-on button (b) for continuous operation and release the variable speed switch. The lock-on button only works in full speed, forward and reverse rotation.

To stop the tool in continuous operation, press the switch briefly and release it.



WARNING: ALWAYS turn the tool off when work is finished and before unplugging.

- To stop the tool, release the switch.

Holding the tool (fig. 6)

- For best results, hold the screwdriver with the hand directly in line with the fastener and press the variable speed switch with the last one or two fingers of the hand, as shown. This reduces the chance of the screw slipping from the drive accessory when pressure is applied.
- To drive the screw, place it on the bit or into the socket, press the variable speed switch and push the screw into the workpiece with a smooth, continuous motion. When the screw is seated, a buzzing sound will come from the front of the tool to indicate that the clutch has disengaged.

MAINTENANCE

Your DEWALT power tool has been designed to operate over a long period of time with a minimum of maintenance. Continuous satisfactory operation depends upon proper tool care and regular cleaning.



WARNING: To reduce the risk of injury, turn unit off and disconnect machine from power source before installing and removing accessories, before adjusting or changing set-ups or when making repairs. Be sure the trigger switch is in the OFF position. An accidental start-up can cause injury.



Lubrication

Your power tool requires no additional lubrication.



Cleaning



WARNING: Blow dirt and dust out of the main housing with dry air as often as dirt is seen collecting in and around the air vents. Wear approved eye protection and approved dust mask when performing this procedure.



WARNING: Never use solvents or other harsh chemicals for cleaning the non-metallic parts of the tool. These chemicals may weaken the materials used in these parts. Use a cloth dampened only with water and mild soap. Never let any liquid get inside the tool; never immerse any part of the tool into a liquid.

DW256

- Regularly remove drywall dust from the clutch housing using compressed air. To do so, remove the depth locator and collar (d).

Optional Accessories



WARNING: Since accessories, other than those offered by DEWALT, have not been tested with this product, use of such accessories with this tool could be hazardous. To reduce the risk of injury, only DEWALT, recommended accessories should be used with this product.

Various types of 1/4" hex. bits, holders, sockets and adaptors are available as an option.

Consult your dealer for further information on the appropriate accessories.

Protecting the Environment



Separate collection. This product must not be disposed of with normal household waste.

Should you find one day that your DEWALT product needs replacement, or if it is of no further use to you, do not dispose of it with household waste. Make this product available for separate collection.



Separate collection of used products and packaging allows materials to be recycled and used again. Re-use of recycled materials helps prevent environmental pollution and reduces the demand for raw materials.

Local regulations may provide for separate collection of electrical products from the household, at municipal waste sites or by the retailer when you purchase a new product.

DEWALT provides a facility for the collection and recycling of DEWALT products once they have reached the end of their working life. To take advantage of this service please return your product to any authorised repair agent who will collect them on our behalf.

You can check the location of your nearest authorised repair agent by contacting your local DEWALT office at the address indicated in this manual. Alternatively, a list of authorised DEWALT repair agents and full details of our after-sales service and contacts are available on the Internet at: **www.2helpU.com**.

GUARANTEE

• 30 DAY NO RISK SATISFACTION GUARANTEE •

If you are not completely satisfied with the performance of your DEWALT tool, simply return it within 30 days, complete as purchased, to the point of purchase, for a full refund or exchange. Proof of purchase must be produced.

• ONE YEAR FREE SERVICE CONTRACT •

If you need maintenance or service for your DEWALT tool, in the 12 months following purchase, it will be undertaken free of charge at an authorized DEWALT repair agent. Proof of purchase must be produced. Includes labour and spare parts for Power Tools. Excludes accessories.

• ONE YEAR FULL WARRANTY •

If your DEWALT product becomes defective due to faulty materials or workmanship within 12 months from the date of purchase, we guarantee to replace all defective parts free of charge or, at our discretion, replace the unit free of charge provided that:

- The product has not been misused.
- Repairs have not been attempted by unauthorized persons.
- Proof of purchase date is produced. This guarantee is offered as an extra benefit and is additional to consumers statutory rights.

For the location of your nearest authorized DEWALT repair agent, please use the appropriate telephone number on the back of this manual. Alternatively, a list of authorized DEWALT repair agents and full details on our after-sales service are available on the Internet at **www.2helpU.com**.

