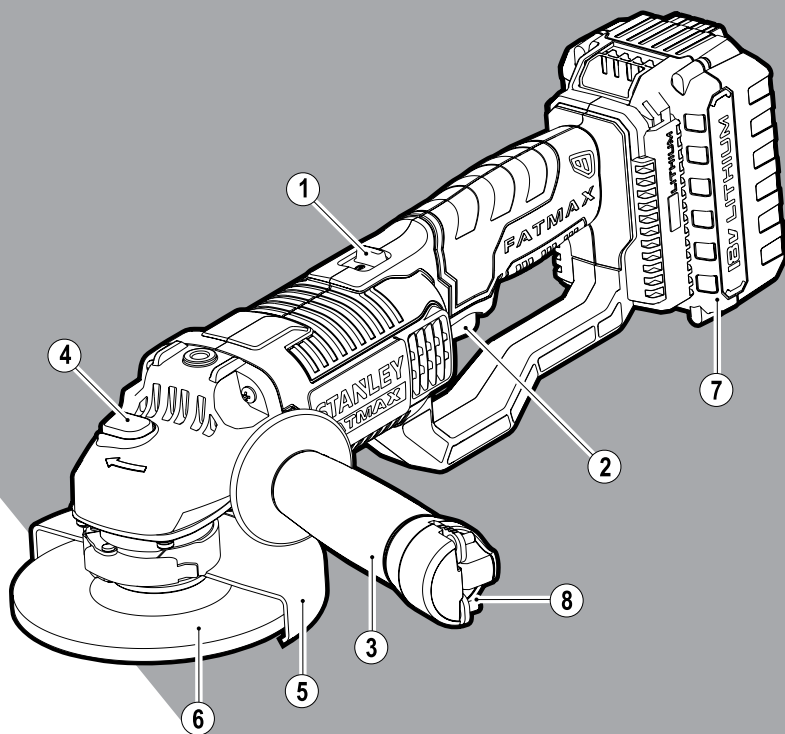


STANLEY®

FATMAX®



www.stanley.eu

FMC761

EN

DE

FR

IT

NL

ES

PT

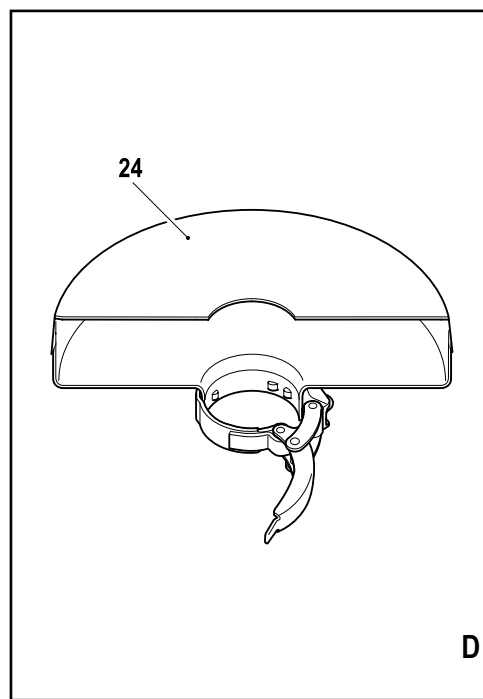
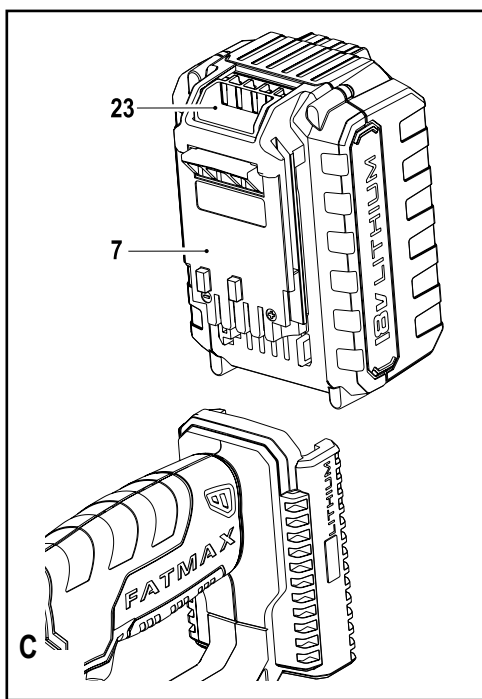
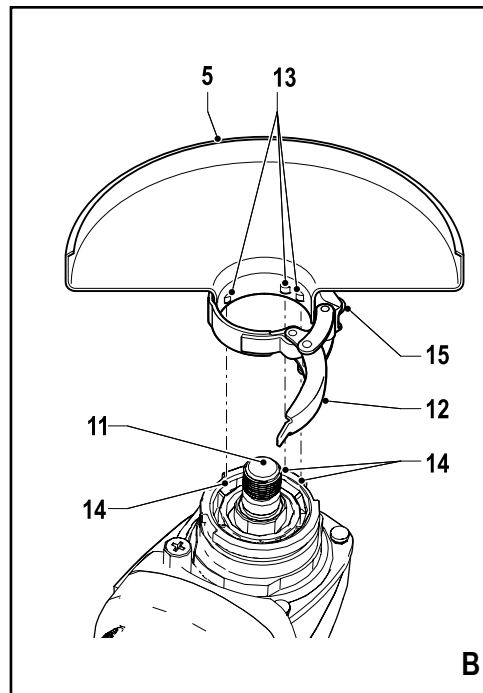
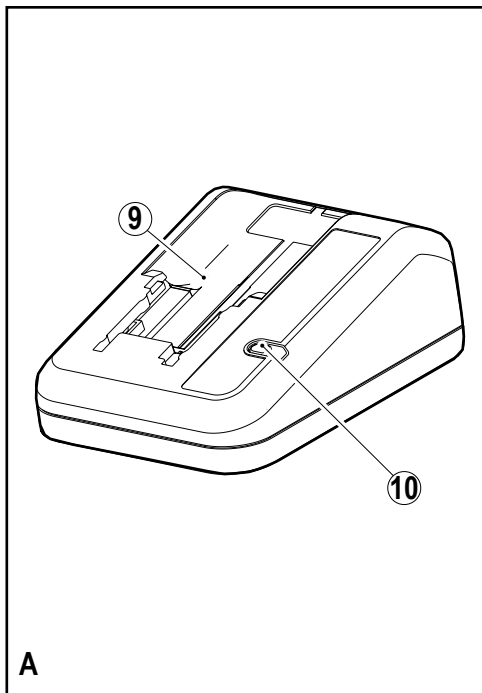
SV

NO

DK

FI

EL



Intended use

Your Stanley Fat Max FMC761 angle grinder has been designed for grinding and cutting metal and masonry using the appropriate type of cutting or grinding disc. The tool must be fitted with the appropriate guard. This tool is intended for professional and private, non professional users.

Safety instructions

General power tool safety warnings



Warning! Read all safety warnings and all instructions. Failure to follow the warnings and instructions listed below may result in electric shock, fire and/or serious injury.

Save all warnings and instructions for future reference.

The term "power tool" in all of the warnings listed below refers to your mains operated (corded) power tool or battery operated (cordless) power tool.

1. Work area safety

- Keep work area clean and well lit.** Cluttered or dark areas invite accidents.
- Do not operate power tools in explosive atmospheres, such as in the presence of flammable liquids, gases or dust.** Power tools create sparks which may ignite the dust or fumes.
- Keep children and bystanders away while operating a power tool.** Distractions can cause you to lose control.

2. Electrical safety

- Power tool plugs must match the outlet. Never modify the plug in any way. Do not use any adapter plugs with earthed (grounded) power tools.** Unmodified plugs and matching outlets will reduce risk of electric shock.
- Avoid body contact with earthed or grounded surfaces such as pipes, radiators, ranges and refrigerators.** There is an increased risk of electric shock if your body is earthed or grounded.
- Do not expose power tools to rain or wet conditions.** Water entering a power tool will increase the risk of electric shock.
- Do not abuse the cord. Never use the cord for carrying, pulling or unplugging the power tool. Keep cord away from heat, oil, sharp edges or moving parts.** Damaged or entangled cords increase the risk of electric shock.
- When operating a power tool outdoors, use an extension cord suitable for outdoor use.** Use of a cord suitable for outdoor use reduces the risk of electric shock.
- If operating a power tool in a damp location is unavoidable, use a residual current device (RCD)**

protected supply. Use of an RCD reduces the risk of electric shock.

3. Personal safety

- Stay alert, watch what you are doing and use common sense when operating a power tool. Do not use a power tool while you are tired or under the influence of drugs, alcohol or medication.** A moment of inattention while operating power tools may result in serious personal injury.
- Use personal protective equipment. Always wear eye protection.** Protective equipment such as dust mask, non-skid safety shoes, hard hat, or hearing protection used for appropriate conditions will reduce personal injuries.
- Prevent unintentional starting. Ensure the switch is in the off-position before connecting to power source and/or battery pack, picking up or carrying the tool.** Carrying power tools with your finger on the switch or energising power tools that have the switch on invites accidents.
- Remove any adjusting key or wrench before turning the power tool on.** A wrench or a key left attached to a rotating part of the power tool may result in personal injury.
- Do not overreach. Keep proper footing and balance at all times.** This enables better control of the power tool in unexpected situations.
- Dress properly. Do not wear loose clothing or jewellery. Keep your hair, clothing and gloves away from moving parts.** Loose clothes, jewellery or long hair can be caught in moving parts.
- If devices are provided for the connection of dust extraction and collection facilities, ensure these are connected and properly used.** Use of dust collection can reduce dust-related hazards.

4. Power tool use and care

- Do not force the power tool. Use the correct power tool for your application.** The correct power tool will do the job better and safer at the rate for which it was designed.
- Do not use the power tool if the switch does not turn it on and off.** Any power tool that cannot be controlled with the switch is dangerous and must be repaired.
- Disconnect the plug from the power source and/or the battery pack from the power tool before making any adjustments, changing accessories, or storing power tools.** Such preventive safety measures reduce the risk of starting the power tool accidentally.
- Store idle power tools out of the reach of children and do not allow persons unfamiliar with the power tool or these instructions to operate the power tool.** Power tools are dangerous in the hands of untrained users.

- e. **Maintain power tools.** Check for misalignment or binding of moving parts, breakage of parts and any other condition that may affect the power tools operation. If damaged, have the power tool repaired before use. Many accidents are caused by poorly maintained power tools.
- f. **Keep cutting tools sharp and clean.** Properly maintained cutting tools with sharp cutting edges are less likely to bind and are easier to control.
- g. **Use the power tool, accessories and tool bits etc. in accordance with these instructions, taking into account the working conditions and the work to be performed.** Use of the power tool for operations different from those intended could result in a hazardous situation.
5. **Battery tool use and care**
- a. **Recharge only with the charger specified by the manufacturer.** A charger that is suitable for one type of battery pack may create a risk of fire when used with another battery pack.
- b. **Use power tools only with specifically designated battery packs.** Use of any other battery packs may create a risk of injury and fire.
- c. **When battery pack is not in use, keep it away from other metal objects, like paper clips, coins, keys, nails, screws, or other small metal objects, that can make a connection from one terminal to another.** Shorting the battery terminals together may cause burns or a fire.
- d. **Under abusive conditions, liquid may be ejected from the battery; avoid contact. If contact accidentally occurs, flush with water. If liquid contacts eyes, additionally seek medical help.** Liquid ejected from the battery may cause irritation or burns.
6. **Service**
- a. **Have your power tool serviced by a qualified repair person using only identical replacement parts.** This will ensure that the safety of the power tool is maintained.

Additional power tool safety warnings



Warning! Additional safety warnings for grinding, sanding, wire brushing, polishing or abrasive cutting-off operations.

- ◆ **This power tool is intended to function as a grinder, sander, wire brush, polisher or cut-off tool. Read all safety warnings, instructions, illustrations and specifications provided with this power tool.** Failure to follow all instructions listed below may result in electric shock, fire and/or serious injury.

- ◆ **Operations for which the power tool was not designed may create a hazard and cause personal injury.**
- ◆ **Do not use accessories which are not specifically designed and recommended by the tool manufacturer.** Just because the accessory can be attached to your power tool, it does not assure safe operation.
- ◆ **The rated speed of the accessory must be at least equal to the maximum speed marked on the power tool.** Accessories running faster than their rated speed can break and fly apart
- ◆ **The outside diameter and the thickness of your accessory must be within the capacity rating of your power tool.** Incorrectly sized accessories cannot be adequately guarded or controlled.
- ◆ **Threaded mounting of accessories must match the grinder spindle thread. For accessories mounted by flanges, the arbour hole of the accessory must fit the locating diameter of the flange.** Accessories that do not match the mounting hardware of the power tool will run out of balance, vibrate excessively and may cause loss of control.
- ◆ **Do not use a damaged accessory. Before each use inspect the accessory such as abrasive wheels for chips and cracks, backing pad for cracks, tear or excess wear, wire brush for loose or cracked wires. If power tool or accessory is dropped, inspect for damage or install an undamaged accessory. After inspecting and installing an accessory, position yourself and bystanders away from the plane of the rotating accessory and run the power tool at maximum no-load speed for one minute.** Damaged accessories will normally break apart during this test time.
- ◆ **Wear personal protective equipment. Depending on application, use face shield, safety goggles or safety glasses. As appropriate, wear dust mask, hearing protectors, gloves and workshop apron capable of stopping small abrasive or workpiece fragments.** The eye protection must be capable of stopping flying debris generated by various operations. The dust mask or respirator must be capable of filtering particles generated by your operation. Prolonged exposure to high intensity noise may cause hearing loss.
- ◆ **Keep bystanders a safe distance away from work area. Anyone entering the work area must wear personal protective equipment.** Fragments of workpiece or of a broken accessory may fly away and cause injury beyond immediate area of operation.
- ◆ **Hold power tool by insulated gripping surfaces only, when performing an operation where the cutting accessory may contact hidden wiring or its own cord.** Cutting accessory contacting a "live" wire may make exposed metal parts of the power tool "live" and could give the operator an electric shock.

- ◆ **Position the cord clear of the spinning accessory.** If you lose control, the cord may be cut or snagged and your hand or arm may be pulled into the spinning accessory.
- ◆ **Never lay the power tool down until the accessory has come to a complete stop.** The spinning accessory may grab the surface and pull the power tool out of your control.
- ◆ **Do not run the power tool while carrying it at your side.** Accidental contact with the spinning accessory could snag your clothing, pulling the accessory into your body.
- ◆ **Regularly clean the power tool's air vents.** The motor's fan will draw the dust inside the housing and excessive accumulation of powdered metal may cause electrical hazards.
- ◆ **Do not operate the power tool near flammable materials.** Sparks could ignite these materials.
- ◆ **Do not use accessories that require liquid coolants.** Using water or other liquid coolants may result in electrocution or shock.

Note: The above warning does not apply for power tools specifically designed for use with a liquid system.

Kickback and related warnings

Kickback is a sudden reaction to a pinched or snagged rotating wheel, backing pad, brush or any other accessory. Pinching or snagging causes rapid stalling of the rotating accessory which in turn causes the uncontrolled power tool to be forced in the direction opposite of the accessory's rotation at the point of the binding.

For example, if an abrasive wheel is snagged or pinched by the workpiece, the edge of the wheel that is entering into the pinch point can dig into the surface of the material causing the wheel to climb out or kick out. The wheel may either jump toward or away from the operator, depending on direction of the wheel's movement at the point of pinching. Abrasive wheels may also break under these conditions.

Kickback is the result of power tool misuse and/or incorrect operating procedures or conditions and can be avoided by taking proper precautions as given below.

- ◆ **Maintain a firm grip on the power tool and position your body and arm to allow you to resist kickback forces. Always use auxiliary handle, if provided, for maximum control over kickback or torque reaction during start-up.** The operator can control torque reactions or kickback forces, if proper precautions are taken.
- ◆ **Never place your hand near the rotating accessory.** Accessory may kickback over your hand.
- ◆ **Do not position your body in the area where power tool will move if kickback occurs.** Kickback will propel the tool in direction opposite to the wheel's movement at the point of snagging.

- ◆ **Use special care when working corners, sharp edges etc. Avoid bouncing and snagging the accessory.** Corners, sharp edges or bouncing have a tendency to snag the rotating accessory and cause loss of control or kickback.
- ◆ **Do not attach a saw chain woodcarving blade or toothed saw blade.** Such blades create frequent kickback and loss of control.

Safety Warnings Specific for Grinding and Abrasive Cutting-Off Operations:

- ◆ **Use only wheel types that are recommended for your power tool and the specific guard designed for the selected wheel.** Wheels for which the power tool was not designed cannot be adequately guarded and are unsafe.
- ◆ **The grinding surface of centre depressed wheels must be mounted below the plane of the guard lip.** An improperly mounted wheel that projects through the plane of the guard lip cannot be adequately protected.
- ◆ **The guard must be securely attached to the power tool and positioned for maximum safety, so the least amount of wheel is exposed towards the operator.** The guard helps to protect operator from broken wheel fragments, accidental contact with wheel and sparks that could ignite clothing.
- ◆ **Wheels must be used only for recommended applications. For example: do not grind with the side of cut-off wheel.** Abrasive cut-off wheels are intended for peripheral grinding, side forces applied to these wheels may cause them to shatter.
- ◆ **Always use undamaged wheel flanges that are of correct size and shape for your selected wheel.** Proper wheel flanges support the wheel thus reducing the possibility of wheel breakage. Flanges for cut-off wheels may be different from grinding wheel flanges.
- ◆ **Do not use worn down wheels from larger power tools.** Wheel intended for larger power tool is not suitable for the higher speed of a smaller tool and may burst.

Additional safety warnings specific for abrasive cutting-off operations

- ◆ **Do not "jam" the cut-off wheel or apply excessive pressure. Do not attempt to make an excessive depth of cut.** Over stressing the wheel increases the loading and susceptibility to twisting or binding of the wheel in the cut and the possibility of kickback or wheel breakage.
- ◆ **Do not position your body in line with and behind the rotating wheel.** When the wheel, at the point of operation, is moving away from your body, the possible kickback may propel the spinning wheel and the power tool directly at you.
- ◆ **When wheel is binding or when interrupting a cut for any reason, switch off the power tool and hold the**

power tool motionless until the wheel comes to a complete stop. Never attempt to remove the cut-off wheel from the cut while the wheel is in motion otherwise kickback may occur. Investigate and take corrective action to eliminate the cause of wheel binding.

- ◆ Do not restart the cutting operation in the workpiece. Let the wheel reach full speed and carefully re-enter the cut. The wheel may bind, walk up or kickback if the power tool is restarted in the workpiece.
- ◆ Support panels or any oversized workpiece to minimise the risk of wheel pinching and kickback. Large workpieces tend to sag under their own weight. Supports must be placed under the workpiece near the line of cut and near the edge of the workpiece on both sides of the wheel.
- ◆ Use extra caution when making a "pocket cut" into existing walls or other blind areas. The protruding wheel may cut gas or water pipes, electrical wiring or objects that can cause kickback.

Safety warnings specific for sanding operation

- ◆ Do not use excessively oversized sanding disc paper. Follow manufacturers recommendations, when selecting sanding paper. Larger sanding paper extending beyond the sanding pad presents a laceration hazard and may cause snagging, tearing of the disc or kickback.

Safety warnings specific for polishing operation

- ◆ Do not allow any loose portion of the polishing bonnet or its attachment strings to spin freely. Tuck away or trim any loose attachment strings. Loose and spinning attachment strings can entangle your fingers or snag on the workpiece.

Safety warnings specific for wire brushing operations

- ◆ Be aware that wire bristles are thrown by the brush even during ordinary operation. Do not overstress the wires by applying excessive load to the brush. The wire bristles can easily penetrate light clothing and/or skin.
- ◆ If the use of a guard is recommended for wire brushing, do not allow any interference of the wire wheel or brush with the guard. Wire wheel or brush may expand in diameter due to work load and centrifugal forces.



Warning! Contact with or inhalation of dusts arising from sanding applications may endanger the health of the operator and possible bystanders. Wear a dust mask specifically designed for protection against dust and fumes and ensure that persons within or entering the work area are also protected.

Safety of others

- ◆ This tool can be used by children aged from 8 years and above and persons with reduced physical, sensory or mental capabilities or lack of experience and knowledge if they have been given supervision or instruction concerning use of the appliance in a safe way and understand the hazards involved.
- ◆ Children shall not play with the appliance. Cleaning and user maintenance shall not be made by children without supervision.

Residual risks

Additional residual risks may arise when using the tool which may not be included in the enclosed safety warnings. These risks can arise from misuse, prolonged use etc.

Even with the application of the relevant safety regulations and the implementation of safety devices, certain residual risks can not be avoided. These include:

- ◆ Injuries caused by touching any rotating/moving parts.
- ◆ Injuries caused when changing any parts, blades or accessories.
- ◆ Injuries caused by prolonged use of a tool. When using any tool for prolonged periods ensure you take regular breaks.
- ◆ Impairment of hearing.
- ◆ Health hazards caused by breathing dust developed when using your tool (example:- working with wood, especially oak, beech and MDF.)

Vibration

The declared vibration emission values stated in the technical data and the declaration of conformity have been measured in accordance with a standard test method provided by EN 60745 and may be used for comparing one tool with another. The declared vibration emission value may also be used in a preliminary assessment of exposure.

Warning! The vibration emission value during actual use of the power tool can differ from the declared value depending on the ways in which the tool is used. The vibration level may increase above the level stated.

When assessing vibration exposure to determine safety measures required by 2002/44/EC to protect persons regularly using power tools in employment, an estimation of vibration exposure should consider, the actual conditions of use and the way the tool is used, including taking account of all parts of the operating cycle such as the times when the tool is switched off and when it is running idle in addition to the trigger time.

Labels on tool

The following symbols are shown on the tool along with the date code:



Warning! To reduce the risk of injury, the user must read the instruction manual.



Wear safety glasses or goggles when operating this tool.



Wear ear protection when operating this tool.

Additional safety instructions for batteries and chargers

Batteries

- ◆ Never attempt to open for any reason.
- ◆ Do not expose the battery to water.
- ◆ Do not store in locations where the temperature may exceed 40 °C.
- ◆ Charge only at ambient temperatures between 10 °C and 40 °C.
- ◆ Charge only using the charger provided with the tool.
- ◆ When disposing of batteries, follow the instructions given in the section "Protecting the environment".



Do not attempt to charge damaged batteries.

Chargers

- ◆ Use your Stanley Fat Max charger only to charge the battery in the tool with which it was supplied. Other batteries could burst, causing personal injury and damage.
- ◆ Never attempt to charge non-rechargeable batteries.
- ◆ Have defective cords replaced immediately.
- ◆ Do not expose the charger to water.
- ◆ Do not open the charger.
- ◆ Do not probe the charger.



The charger is intended for indoor use only.



Read the instruction manual before use.

Electrical safety



Your charger is double insulated; therefore no earth wire is required. Always check that the mains voltage corresponds to the voltage on the rating plate. Never attempt to replace the charger unit with a regular mains plug.

- ◆ If the supply cord is damaged, it must be replaced by the manufacturer or an authorised Stanley Fat Max Service Centre in order to avoid a hazard.

Features

This appliance includes some or all of the following features.

1. Lock off switch
2. Trigger switch
3. Side handle
4. Spindle lock
5. Grinding guard
6. Grinding disc
7. Battery
8. Two pin spanner

fig. A

9. Battery charger
10. Charge indicator

Use

Warning! Let the tool work at its own pace. Do not overload.

- ◆ Be prepared for a stream of sparks when the grinding or cutting disc touches the workpiece.
- ◆ Always position the tool in such a way that the guard provides optimum protection from the grinding or cutting disc.

Charging the battery (fig. A)

The battery needs to be charged before first use and whenever it fails to produce sufficient power on jobs that were easily done before. The battery may become warm while charging; this is normal and does not indicate a problem.

Warning! Do not charge the battery at ambient temperatures below 10 °C or above 40 °C. Recommended charging temperature: approx. 24 °C.

Note: The charger will not charge a battery if the cell temperature is below approximately 10 °C or above 40 °C. The battery should be left in the charger and the charger will begin to charge automatically when the cell temperature warms up or cools down.

- ◆ To charge the battery (7), insert it into the charger (9). The battery will only fit into the charger in one way. Do not force. Be sure that the battery is fully seated in the charger.
- ◆ Plug in the charger and switch on at the mains.

The charging indicator (10) will blink.

The charge is complete when the charging indicator (10) switches to continuously on. The charger and the battery can be left connected indefinitely. The LED will switch on as the charger occasionally tops up the battery charge.

- ◆ Charge discharged batteries within 1 week. Battery life will be greatly diminished if stored in a discharged state.

Leaving the battery in the charger

The charger and battery pack can be left connected with the LED glowing indefinitely. The charger will keep the battery pack fresh and fully charged.

Charger diagnostics

If the charger detects a weak or damaged battery, the charging indicator (10) will flash red at a fast rate. Proceed as follows:

- ◆ Re-insert the battery (7).
- ◆ If the charging indicators continues flashing red at a fast rate, use a different battery to determine if the charging process works properly.
- ◆ If the replaced battery charges correctly, the original battery is defective and should be returned to a service centre for recycling.
- ◆ If the new battery gives the same indication as the original battery, take the charger to be tested at an authorised services centre.

Note: It may take as long as 30 minutes to determine that the battery is defective. If the battery is too hot or too cold, the LED will alternately blink red, fast and slow, one flash at each speed and repeat.

Switching on and off

- ◆ To switch on, slide the lock off switch (1) forward then press and hold the trigger switch (2).
- ◆ To switch off, release the trigger switch (2).

Warning! Do not switch the tool on or off while under load.

Warning! Always slide the lock off switch (1) backwards to the locked position when the tool is not in use.

Hints for optimum use

- ◆ Firmly hold the tool with one hand around the side handle and the other hand around the main handle.

Surface grinding with grinding wheels

- ◆ Allow the tool to reach full speed before touching the tool to the work surface.
- ◆ Apply minimum pressure to the work surface, allowing the tool to operate at high speed. Grinding rate is greatest when the tool operates at high speed.
- ◆ Maintain a 20° to 30° angle between the tool and work surface.
- ◆ Continuously move the tool in a forward and back motion to avoid creating gouges in the work surface.
- ◆ Remove the tool from work surface before turning tool off. Allow the tool to stop rotating before laying it down.

Edge grinding with grinding wheels

Wheels used for cutting and edge grinding may break or kick back if they bend or twist while the tool is being used

to do cut-off work or deep grinding. To reduce the risk of serious injury, limit the use of these wheels with a standard Type 27 guard to shallow cutting and notching (less than 1/2 inch (13mm) in depth). The open side of the guard must be positioned away from the operator. For deeper cutting with a Type 1 cut-off wheel, use a closed Type 1 guard. See the Grinding and cutting chart which can be found at the back of language section.

- ◆ Allow the tool to reach full speed before touching the tool to the work surface.
- ◆ Apply minimum pressure to the work surface, allowing the tool to operate at high speed. Grinding rate is greatest when the tool operates at high speed.
- ◆ Position yourself so that the open-underside of the wheel is facing away from you.
- ◆ Once a cut is begun and a notch is established in the workpiece, do not change the angle of the cut. Changing the angle will cause the wheel to bend and may cause wheel breakage. Edge grinding wheels are not designed to withstand side pressures caused by bending.
- ◆ Remove the tool from the work surface before turning the tool off. Allow the tool to stop rotating before laying it down.

Do not use edge grinding/cutting wheels for surface grinding applications because these wheels are not designed for side pressures encountered with surface grinding. Wheel breakage and injury may result.

Surface finishing with sanding flap discs

- ◆ Allow the tool to reach full speed before touching the tool to the work surface.
- ◆ Apply minimum pressure to work surface, allowing the tool to operate at high speed. Sanding rate is greatest when the tool operates at high speed.
- ◆ Maintain a 5° to 10° angle between the tool and work surface.
- ◆ Continuously move the tool in a forward and back motion to avoid creating gouges in the work surface.
- ◆ Remove the tool from work surface before turning tool off. Allow the tool to stop rotating before laying it down.

Using sanding backing pads

Choose the proper grit sanding discs for your application. Sanding discs are available in various grits. Coarse grits yield faster material removal rates and a rougher finish. Finer grits yield slower material removal and a smoother finish.

Begin with coarse grit discs for fast, rough material removal. Move to a medium grit paper and finish with a fine grit disc for optimal finish.

- ◆ Coarse 16 - 30 grit
- ◆ Medium 36 - 80 grit
- ◆ Fine Finishing 100 - 120 grit

- ◆ Very Fine Finishing 150 - 180 grit
- ◆ Allow the tool to reach full speed before touching tool to the work surface.
- ◆ Apply minimum pressure to work surface, allowing the tool to operate at high speed. Sanding rate is greatest when the tool operates at high speed.
- ◆ Maintain a 5° to 15° angle between the tool and work surface. The sanding disc should contact approximately one inch (25mm) of work surface.
- ◆ Move the tool constantly in a straight line to prevent burning and swirling of work surface. Allowing the tool to rest on the work surface without moving, or moving the tool in a circular motion causes burning and swirling marks on the work surface.
- ◆ Remove the tool from work surface before turning tool off. Allow the tool to stop rotating before laying it down.

Using wire cup brushes and wire wheels

Wire wheels and brushes can be used for removing rust, scale and paint, and for smoothing irregular surfaces.

Note: The same precautions should be taken when wire brushing paint as when sanding paint.

- ◆ Allow the tool to reach full speed before touching the tool to the work surface.
- ◆ Apply minimum pressure to work surface, allowing the tool to operate at high speed. Material removal rate is greatest when the tool operates at high speed.
- ◆ Maintain a 5° to 10° angle between the tool and work surface for wire cup brushes.
- ◆ Maintain contact between the edge of the wheel and the work surface with wire wheels.
- ◆ Continuously move the tool in a forward and back motion to avoid creating gouges in the work surface. Allowing the tool to rest on the work surface without moving, or moving the tool in a circular motion causes burning and swirling marks on the work surface.
- ◆ Remove the tool from the work surface before turning the tool off. Allow the tool to stop rotating before setting it down.

Use extra care when working over an edge, as a sudden sharp movement of grinder may be experienced.

Precautions to take when sanding or wire brushing paint

- ◆ Sanding of lead based paint is NOT RECOMMENDED due to the difficulty of controlling the contaminated dust. The greatest danger of lead poisoning is to children and pregnant women.
- ◆ Since it is difficult to identify whether or not a paint contains lead without a chemical analysis, we recommend the following precautions when sanding any paint:

Personal safety

- ◆ No children or pregnant women should enter the work area where the paint sanding is being done until all clean up is completed.
- ◆ A dust mask or respirator should be worn by all persons entering the work area. The filter should be replaced daily or whenever the wearer has difficulty breathing.

Note: Only those dust masks suitable for working with lead paint dust and fumes should be used. Ordinary painting masks do not offer this protection. See your local hardware dealer for the proper respiratory protection.

- ◆ NO EATING, DRINKING or SMOKING should be done in the work area to prevent ingesting contaminated paint particles. Workers should wash and clean up BEFORE eating, drinking or smoking. Articles of food, drink, or smoking should not be left in the work area where dust would settle on them.

Environmental safety

- ◆ Paint should be removed in such a manner as to minimize the amount of dust generated.
- ◆ Areas where paint removal is occurring should be sealed with plastic sheeting of 4 mils thickness.
- ◆ Sanding should be done in a manner to reduce tracking of paint dust outside the work area.

Cleaning and disposal

- ◆ All surfaces in the work area should be vacuumed and thoroughly cleaned daily for the duration of the sanding project. Vacuum filter bags should be changed frequently.
- ◆ Plastic drop cloths should be gathered up and disposed of along with any dust chips or other removal debris. They should be placed in sealed refuse receptacles and disposed of through regular trash pick-up procedures. During clean up, children and pregnant women should be kept away from the immediate work area.
- ◆ All toys, washable furniture and utensils used by children should be washed thoroughly before being used again.

Using cutting wheels

Do not use edge grinding/cutting wheels for surface grinding applications because these wheels are not designed for side pressures encountered with surface grinding.

Wheel breakage and injury may result.

- ◆ Allow tool to reach full speed before touching tool to work surface.
- ◆ Apply minimum pressure to work surface, allowing tool to operate at high speed. Cutting rate is greatest when the tool operates at high speed.
- ◆ Once a cut is begun and a notch is established in the workpiece, do not change the angle of the cut. Changing the angle will cause the wheel to bend and may cause wheel breakage.

- Remove the tool from work surface before turning tool off. Allow the tool to stop rotating before setting it down.

Maintenance

Your Stanley Fat Max tool has been designed to operate over a long period of time with a minimum of maintenance. Continuous satisfactory operation depends upon proper tool care and regular cleaning.

Your charger does not require any maintenance apart from regular cleaning.

Warning! Before performing any maintenance on corded/cordless power tools:

- Switch off and unplug the appliance/tool.
- Or switch off and remove the battery from the appliance/tool if the appliance/tool has a separate battery pack.
- Or run the battery down completely if it is integral and then switch off.
- Unplug the charger before cleaning it. Your charger does not require any maintenance apart from regular cleaning.
- Regularly clean the ventilation slots in your appliance/tool/charger using a soft brush or dry cloth.
- Regularly clean the motor housing using a damp cloth. Do not use any abrasive or solvent-based cleaner.
- Regularly open the chuck and tap it to remove any dust from the interior (when fitted).

Protecting the environment



Separate collection. Products and batteries marked with this symbol must not be disposed of with normal household waste.

Products and batteries contain materials that can be recovered or recycled reducing the demand for raw materials. Please recycle electrical products and batteries according to local provisions. Further information is available at www.2helpU.com.

Technical data

FMC761 (H1)		
Voltage	V _{DC}	18
No-load speed	Min ⁻¹	9,000
Disc diameter	mm	125
Disc bore	mm	22
Max disc thickness		
grinding disc	mm	6
cutting disc	mm	3.5
Spindle diameter		M14
Spindle length (with the inner flange fitted)	mm	14
Spindle length (without the inner flange fitted)	mm	19.5
Weight	kg	2.9

Charger	905998**	906086**
Input voltage	V _{AC} 230	230
Output voltage	V _{DC} 18	18
Current	A 1	2
Approx. charge time	min 90-240	45-120

Battery	FMC685L	FMC687L	FMC688L
Voltage	V _{AC} 18	18	18
Capacity	Ah 1.5	2.0	4.0
Type	Li-Ion	Li-Ion	Li-Ion

Level of sound pressure according to EN 60745:	
Sound pressure (L _{pa})	80.5 dB(A), uncertainty (K) 3 dB(A)
Sound power (L _{wa})	91.5 dB(A), uncertainty (K) 3 dB(A)

Vibration total values (triax vector sum) according to EN 60745:	
Surface grinding (a _{n,SG})	3.9 m/s ² , uncertainty (K) 1.5 m/s ²
Polishing (a _{n,p})	2.0 m/s ² , uncertainty (K) 1.5 m/s ²
Disc sanding (a _{n,DS})	4.5 m/s ² , uncertainty (K) 1.5 m/s ²

Caution! Applications such as cutting-off or wire brushing may have different vibration emissions.

EC declaration of conformity

MACHINERY DIRECTIVE



FMC761 - Cordless angle grinder

Stanley Fat Max declares that these products described under "technical data" are in compliance with:
EN60745-1:2009+A11:2010, EN60745-2-3:2011+A12:2014

These products also comply with Directive
2006/42/EC, 2014/30/EU and 2011/65/EU.

For more information, please contact Stanley Fat Max at the following address or refer to the back of the manual.

The undersigned is responsible for compilation of the technical file and makes this declaration on behalf of
Stanley Fat Max.

R. Laverick
Engineering Director
Stanley Fat Max Europe, Egide Walschaertsstraat14-18,
2800 Mechelen, Belgium
12/10/2018

Guarantee

Stanley Fat Max is confident of the quality of its products and offers consumers a 12 month guarantee from the date of purchase. This guarantee is in addition to and in no way prejudices your statutory rights. The guarantee is valid within the territories of the Member States of the European Union and the European Free Trade Area.

To claim on the guarantee, the claim must be in accordance with Stanley Fat Max Terms and Conditions and you will need to submit proof of purchase to the seller or an authorised repair agent. Terms and conditions of the Stanley Fat Max 1 year guarantee and the location of your nearest authorised repair agent can be obtained on the Internet at www.2helpU.com, or by contacting your local Stanley Fat Max office at the address indicated in this manual.

Please visit our website www.stanley.eu/3 to register your new Stanley Fat Max product and receive updates on new products and special offers

Verwendungszweck

Ihr Stanley Fat Max Winkelschleifer FMC761 ist für Schleif- und Schneidarbeiten an Metall und Mauerwerk ausgelegt, sofern geeignete Schneid- oder Schleifscheiben verwendet werden. Das Werkzeug muss mit der passenden Schutzvorrichtung ausgestattet werden. Dieses Gerät ist zum gewerblichen und privaten Einsatz vorgesehen.

Sicherheitshinweise

Allgemeine Sicherheitswarnungen für das Gerät



Warnung! Lesen Sie alle Sicherheitshinweise und alle Anweisungen. Die Nichteinhaltung der folgenden Warnungen und Anweisungen kann einen elektrischen Schlag, Brand und/oder schwere Verletzungen verursachen.

Bewahren Sie alle Sicherheitswarnungen und Anweisungen gut auf. Der nachfolgend verwendete Begriff „Gerät“ bezieht sich auf netzbetriebene Geräte (mit Netzkabel) und auf akkubetriebene Geräte (ohne Netzkabel).

1. Sicherheit im Arbeitsbereich

- Halten Sie Ihren Arbeitsbereich sauber und gut ausgeleuchtet.** Unaufgeräumte oder dunkle Bereiche begünstigen Unfälle.
- Betreiben Sie das Gerät nicht in Umgebungen, in denen Explosionsgefahr z. B. aufgrund von brennbaren Flüssigkeiten, Gasen oder Staub besteht.** Geräte erzeugen Funken, die den Staub oder die Dämpfe entzünden können.
- Halten Sie Kinder und andere Personen während der Benutzung eines Geräts fern.** Bei Ablenkung können Sie die Kontrolle verlieren.

2. Elektrische Sicherheit

- Der Netzstecker des Geräts muss in die Steckdose passen. Ändern Sie niemals den Stecker in irgendeiner Form. Verwenden Sie keinerlei Adapterstecker an geerdeten Elektrogeräten.** Unveränderte Stecker und passende Steckdosen mindern die Gefahr eines elektrischen Schlages.
- Vermeiden Sie Körperkontakt mit geerdeten Oberflächen von Rohren, Heizungen, Herden und Kühlschränken.** Es besteht eine erhöhte Gefahr für einen elektrischen Schlag, wenn Ihr Körper geerdet ist.
- Halten Sie Geräte von Regen und Nässe fern.** Das Eindringen von Wasser in ein Gerät erhöht das Risiko eines elektrischen Schlages.
- Verwenden Sie das Kabel ordnungsgemäß. Verwenden Sie es niemals zum Tragen.**

Trennen Sie das Gerät nicht durch Ziehen am Kabel vom Netz. Halten Sie das Kabel fern von Hitze, Öl, scharfen Kanten oder beweglichen Teilen. Beschädigte oder verhedderte Kabel erhöhen die Gefahr eines elektrischen Schlages.

- e. **Verwenden Sie nur für den Außenbereich zugelassene Verlängerungskabel, wenn Sie mit dem Gerät im Freien arbeiten.** Die Verwendung eines für den Außenbereich geeigneten Verlängerungskabels verringert das Risiko eines elektrischen Schlags.
 - f. **Wenn das Gerät in einer feuchten Umgebung verwendet werden muss, schließen Sie es unbedingt an eine Steckdose mit Fehlerstromschutzschalter (FI-Schalter) an.** Ein Fehlerstromschutzschalter verringert das Risiko eines elektrischen Schlags.
3. **Sicherheit von Personen**
 - a. **Seien Sie aufmerksam, achten Sie darauf, was Sie tun, und gehen Sie sachgerecht mit einem Gerät um. Benutzen Sie kein Gerät, wenn Sie müde sind oder unter dem Einfluss von Drogen, Alkohol oder Medikamenten stehen.** Ein Moment der Unachtsamkeit beim Betrieb eines Geräts kann zu schweren Verletzungen führen.
 - b. **Verwenden Sie eine geeignete Schutzausrüstung. Tragen Sie immer einen Augenschutz.** Das Tragen persönlicher Schutzausrüstung, wie Staubmaske, rutschfeste Sicherheitsschuhe, Schutzhelm oder Gehörschutz, je nach Art und Einsatz des Geräts, verringert das Risiko von Verletzungen.
 - c. **Vermeiden Sie eine unbeabsichtigte Inbetriebnahme. Vergewissern Sie sich, dass das Gerät ausgeschaltet ist, bevor Sie es an eine Steckdose oder einen Akku anschließen, es hochheben oder tragen.** Wenn Sie beim Tragen des Geräts den Finger am Schalter haben oder das Gerät eingeschaltet an die Stromversorgung anschließen, kann dies zu Unfällen führen.
 - d. **Entfernen Sie Einstell- oder Schraubenschlüssel, bevor Sie das Gerät einschalten.** Werkzeuge oder Schlüssel, die an rotierenden Teilen des Geräts angebracht sind, können zu Verletzungen führen.
 - e. **Beugen Sie sich nicht zu weit nach vorne. Sorgen Sie für einen sicheren Stand und halten Sie jederzeit das Gleichgewicht.** Dadurch können Sie das Gerät in unerwarteten Situationen besser kontrollieren.
 - f. **Tragen Sie geeignete Kleidung. Tragen Sie keine weite Kleidung und keinen Schmuck. Halten Sie Ihre Haare, Kleidung und Handschuhe von beweglichen Teilen fern.** Lose sitzende Kleidung, Schmuck oder lange Haare können sich in den beweglichen Teilen verfangen.
 - g. **Falls Vorrichtungen zum Absaugen oder Auffangen von Staub vorhanden sind, vergewissern Sie sich, dass diese angeschlossen sind und richtig verwendet werden.**

Das Verwenden einer Staubauffangvorrichtung verringert Gefährdungen durch Staub.

4. **Gebrauch und Pflege von Geräten**
 - a. **Überlasten Sie das Gerät nicht. Verwenden Sie das für Ihre Arbeit passende Gerät.** Das richtige Gerät wird die Aufgabe besser und sicherer erledigen, wenn es bestimmungsgemäß verwendet wird.
 - b. **Verwenden Sie das Gerät nicht, wenn der Ein-/Ausschalter nicht funktioniert.** Ein Gerät, das sich nicht mehr ein- oder ausschalten lässt, ist gefährlich und muss repariert werden.
 - c. **Ziehen Sie den Stecker aus der Steckdose, oder trennen Sie das Gerät vom Akku, bevor Sie Einstellungen vornehmen, Zubehörteile wechseln oder das Gerät lagern.** Diese Vorbeugemaßnahmen mindern die Gefahr, dass das Elektrogerät unbeabsichtigt startet.
 - d. **Bewahren Sie unbenutzte Geräte außerhalb der Reichweite von Kindern auf. Lassen Sie Geräte nicht von Personen benutzen, die damit nicht vertraut sind oder diese Anweisungen nicht gelesen haben.** Geräte sind in den Händen nicht geschulter Personen gefährlich.
 - e. **Halten Sie das Gerät in einem einwandfreien Zustand. Kontrollieren Sie, ob bewegliche Teile falsch ausgerichtet sind oder klemmen und ob Teile gebrochen oder so beschädigt sind, dass die Funktion des Geräts beeinträchtigt ist. Bei Beschädigungen lassen Sie das Gerät reparieren, bevor Sie es verwenden.** Viele Unfälle entstehen wegen mangelnder Wartung der Geräte.
 - f. **Halten Sie Schneidgeräte scharf und sauber.** Richtig gewartete Schneidwerkzeuge mit scharfen Klingen blockieren seltener und sind leichter unter Kontrolle zu halten.
 - g. **Verwenden Sie Gerät, Zubehör, Einsatz-Bits usw. entsprechend diesen Anweisungen, und berücksichtigen Sie dabei die Arbeitsbedingungen und die auszuführende Arbeit.** Der Gebrauch von Geräten für andere als die vorgesehenen Zwecke kann zu gefährlichen Situationen führen.
5. **Gebrauch und Pflege von Akkuwerkzeugen**
 - a. **Laden Sie den Akku nur mit dem vom Hersteller vorgesehenen Ladegerät auf.** Für ein Ladegerät, das nur für eine bestimmte Akkuart geeignet ist, besteht Brandgefahr, wenn es mit anderen Akkus verwendet wird.
 - b. **Verwenden Sie nur die für das jeweilige Gerät vorgesehenen Akkus.** Die Verwendung anderer Akkus kann zu Verletzungen oder Bränden führen.
 - c. **Bewahren Sie den Akku bei Nichtbenutzung nicht in der Nähe metallischer Objekte wie Büroklammern, Münzen, Schlüsseln, Nägeln oder Schrauben auf,**

da diese eine Verbindung zwischen beiden Polen des Akkus herstellen können. Durch den dadurch entstehenden Kurzschluss kann der Akku in Brand geraten.

- d. **Bei falscher Anwendung kann Flüssigkeit aus dem Akku austreten. Vermeiden Sie den Kontakt damit. Bei unbeabsichtigtem Kontakt mit Wasser abspülen. Gelangt die Flüssigkeit in die Augen, ziehen Sie außerdem ärztliche Hilfe hinzu.** Austretende Akkufflüssigkeit kann zu Hautreizungen oder Verbrennungen führen.
6. **Service**
 - a. **Lassen Sie das Gerät nur von qualifiziertem Fachpersonal und nur mit Originalersatzteilen reparieren.** Damit wird sichergestellt, dass die Sicherheit des Geräts erhalten bleibt.

Zusätzliche Sicherheitswarnungen für das Gerät



Warnung! Zusätzliche Sicherheitshinweise für das Grob- und Feinschleifen, Bürsten, Polieren oder Trennen.

- ◆ **Dieses Gerät kann als Schleif-, Bürst-, Polier- oder Trenngerät verwendet werden. Beachten Sie alle Sicherheitshinweise, Anweisungen, Darstellungen und Daten, die Sie mit dem Gerät erhalten.** Wenn Sie die folgenden Anweisungen nicht beachten, kann es zu elektrischem Schlag, Feuer und/oder schweren Verletzungen kommen.
- ◆ **Verwendungen, für die das Elektrowerkzeug nicht vorgesehen ist, können Gefährdungen und Verletzungen verursachen.**
- ◆ **Verwenden Sie ausschließlich Zubehör, das speziell für das Gerät angefertigt wurde und vom Gerätehersteller empfohlen wird.** Nur weil Sie das Zubehör an Ihrem Elektrowerkzeug befestigen können, garantiert dies keine sichere Verwendung.
- ◆ **Die Geschwindigkeit, für die das Zubehör ausgelegt ist, muss mindestens der Höchstgeschwindigkeit entsprechen, die auf dem Gerät angegeben ist.** Zubehör, das sich schneller als zulässig dreht, kann zerbrechen und umherfliegen.
- ◆ **Der Außendurchmesser und die Stärke des Zubehörs müssen innerhalb der Gerätekapazität liegen.** Zubehör mit falschen Maßen kann nicht ausreichend kontrolliert werden.
- ◆ **Zubehör mit Gewindemontage muss mit dem Gewinde der Schleifspindel übereinstimmen. Bei Zubehör mit Flanschbefestigung muss das Aufnahmeloch des Zubehörs mit dem Flanschdurchmesser übereinstimmen.** Zubehör, das nicht genau auf

die Schleifspindel des Elektrowerkzeugs passt, dreht sich ungleichmäßig, vibriert sehr stark und kann zum Verlust der Kontrolle führen.

- ◆ **Verwenden Sie keine beschädigten Einsatzwerkzeuge. Kontrollieren Sie vor jeder Verwendung Einsatzwerkzeuge wie Schleifscheiben auf Abspalterungen und Risse, Schleifteller auf Risse, Verschleiß oder starke Abnutzung, Drahtbürsten auf lose oder gebrochene Drähte. Wenn das Elektrowerkzeug oder das Einsatzwerkzeug heruntergefallen ist, überprüfen Sie, ob es beschädigt ist, oder verwenden Sie ein unbeschädigtes Einsatzwerkzeug. Wenn Sie das Einsatzwerkzeug kontrolliert und eingesetzt haben, positionieren Sie sich und in der Nähe befindliche Personen außerhalb der Ebene des rotierenden Einsatzwerkzeugs und lassen Sie das Gerät eine Minute lang mit Höchst-drehzahl laufen.** Beschädigte Einsatzwerkzeuge brechen meist in dieser Testzeit.
- ◆ **Tragen Sie persönliche Schutzausrüstung. Verwenden Sie je nach Anwendung Vollgesichtsschutz, Augenschutz oder Schutzbrille. Soweit angemessen, tragen Sie Staubmaske, Gehörschutz, Schutzhandschuhe oder Spezialschürze, die kleine Schleif- und Materialpartikel von Ihnen fernhält.** Die Augen sollen vor herumfliegenden Fremdkörpern geschützt werden, die bei verschiedenen Anwendungen entstehen. Die Staub- oder Atemmaske muss die Partikel filtern können, die durch den Einsatz entstehen. Wenn Sie lange lautem Lärm ausgesetzt sind, können Sie einen Hörverlust erleiden.
- ◆ **Halten Sie andere Personen vom Arbeitsbereich fern. Jeder, der den Arbeitsbereich betritt, muss persönliche Schutzausrüstung tragen.** Bruchstücke des Werkstücks oder gebrochener Einsatzwerkzeuge können wegfliegen und Verletzungen auch außerhalb des direkten Arbeitsbereichs verursachen.
- ◆ **Halten Sie das Elektrowerkzeug nur an den isolierten Griffflächen, wenn Arbeiten durchgeführt werden, bei denen das Schneidwerkzeug versteckte Leitungen oder die eigene Anschlussleitung berühren könnte.** Der Kontakt mit stromführenden Leitungen kann auch offen liegende Metallteile am Gerät unter Strom setzen und zu einem Stromschlag führen.
- ◆ **Achten Sie darauf, dass das Kabel nicht von sich drehendem Zubehör erfasst werden kann.** Wenn Sie die Kontrolle über das Gerät verlieren, kann das Netzkabel durchtrennt oder erfasst werden und Ihre Hand oder Ihr Arm in das sich drehende Einsatzwerkzeug geraten.
- ◆ **Warten Sie stets, bis das Zubehör vollständig zum Stillstand gekommen ist, bevor Sie das Gerät ablegen.** Das sich drehende Einsatzwerkzeug kann in Kontakt mit der Ablagefläche geraten, wodurch Sie die Kontrolle über das Elektrowerkzeug verlieren können.

- ◆ **Tragen Sie niemals ein laufendes Gerät seitlich am Körper.** Ihre Kleidung kann durch zufälligen Kontakt mit dem sich drehenden Einsatzwerkzeug erfasst werden, und das Einsatzwerkzeug sich in Ihren Körper bohren.
- ◆ **Reinigen Sie in regelmäßigen Abständen die Lüftungsöffnungen des Geräts.** Das Motorgebläse zieht Staub in das Gehäuse, und eine starke Ansammlung von Metallstaub kann elektrische Gefahren verursachen.
- ◆ **Betreiben Sie das Gerät nicht in der Umgebung von brennbaren Materialien.** Funken können diese Materialien entzünden.
- ◆ **Verwenden Sie kein Zubehör, für das flüssiges Kühlmittel erforderlich ist.** Die Verwendung von Wasser oder anderen flüssigen Kühlmitteln kann zu einem elektrischen Schlag führen.

Hinweis: Dieser Sicherheitshinweis gilt nicht für Geräte, die speziell für die Verwendung mit flüssigen Kühlmitteln entwickelt wurden.

Rückschlag und damit verbundene Sicherheitshinweise

Rückschlag ist die plötzliche Reaktion infolge eines hakenden oder blockierten drehenden Einsatzwerkzeugs, wie Schleifscheibe, Schleifteller, Drahtbürste usw. Durch das daraus folgende unmittelbare Stoppen des Zubehörs wird das Gerät in die Richtung bewegt, die der Drehrichtung des Zubehörs entgegengesetzt ist.

Wenn z. B. eine Schleifscheibe im Werkstück hakt oder blockiert, kann sich die Kante der Schleifscheibe, die in das Werkstück eintaucht, verfangen und dadurch die Schleifscheibe ausbrechen oder einen Rückschlag verursachen. Abhängig von der Drehrichtung kann die Scheibe entweder zum Bediener hin- oder von ihm wegspringen. Hierbei können Schleifscheiben auch brechen.

Ein Rückschlag ist das Resultat eines Missbrauchs und/oder einer falschen Bedienung des Geräts und/oder falscher Betriebsbedingungen. Er kann durch die entsprechenden unten angegebenen Vorsichtsmaßnahmen vermieden werden.

- ◆ **Halten Sie das Gerät stets fest im Griff, und nehmen Sie eine Körper- und Armhaltung ein, in der Sie Rückschläge auffangen können. Verwenden Sie stets den Zusatzgriff, sofern vorhanden, sodass Sie optimal auf eventuelle Rückschläge oder Drehmomente während des Startens reagieren können.** Rückschlagkräfte oder Drehmomente können vom Bediener mittels entsprechender Vorsichtsmaßnahmen unter Kontrolle gehalten werden.
- ◆ **Halten Sie Ihre Hände von sich drehendem Zubehör fern.** Das Einsatzwerkzeug kann sich beim Rückschlag über Ihre Hand bewegen.

- ◆ **Positionieren Sie Ihren Körper so, dass das Gerät im Falle eines Rückschlags nicht in Ihre Richtung gedrückt wird.** Durch einen Rückschlag wird das Gerät in die Richtung gedrückt, die der Drehrichtung des Zubehörs zum Zeitpunkt des Verkantens entgegengesetzt ist.
- ◆ **Beim Bearbeiten von Ecken, scharfen Kanten usw. ist besondere Aufmerksamkeit erforderlich. Verhindern Sie ein Springen und Verkanten des Geräts.** Das rotierende Einsatzwerkzeug neigt bei Ecken, scharfen Kanten oder wenn es abprallt, dazu, sich zu verklemmen. Dies verursacht einen Kontrollverlust oder Rückschlag.
- ◆ **Bringen Sie keine Sägeketten, Holzmesser oder gezahnte Sägen an.** Solche Einsatzwerkzeuge verursachen häufig einen Rückschlag oder den Verlust der Kontrolle über das Elektrowerkzeug.

Spezielle Sicherheitshinweise für Schleif- und Trennarbeiten:

- ◆ **Verwenden Sie ausschließlich Scheiben, die zur Verwendung mit Ihrem Gerät empfohlen werden, sowie die für die verwendete Scheibe passende Schutzvorrichtung.** Schleifkörper, die nicht für das Elektrowerkzeug vorgesehen sind, können nicht ausreichend abgeschirmt werden und sind unsicher.
- ◆ **Die Schleifoberfläche von gekröpften Scheiben muss unterhalb der Schutzlippe befestigt werden.** Ein falsch montiertes Rad, das durch die Fläche der Schutzlippe hervorsteht, wird nicht angemessen geschützt.
- ◆ **Die Schutzhaube muss sicher am Elektrowerkzeug angebracht und so eingestellt sein, dass ein Höchstmaß an Sicherheit erreicht wird, d. h. der kleinstmögliche Teil des Schleifkörpers zeigt offen zur Bedienerperson.** Die Schutzvorrichtung schützt den Betreiber vor Scheibensplittern, dem unbeabsichtigten Berühren der Scheibe sowie Flammen- und Funkenbildung, die Kleidung entzünden könnte.
- ◆ **Die Scheiben dürfen nur gemäß ihrer Verwendungsbestimmungen eingesetzt werden. Zum Beispiel: Schleifen Sie nie mit der Seitenfläche einer Trennscheibe.** Trennscheiben sind zum Materialabtrag mit der Kante der Scheibe bestimmt. Seitliche Krafteinwirkung auf diese Schleifkörper kann sie zerbrechen.
- ◆ **Verwenden Sie für die ausgewählte Scheibe ausschließlich unbeschädigte Scheibenflansche von entsprechender Größe und Form.** Durch passende Scheibenflansche wird die Scheibe verstärkt und somit das Risiko eines Scheibenbruchs reduziert. Flansche für Trennscheiben können sich von den Flanschen für andere Schleifscheiben unterscheiden.
- ◆ **Verwenden Sie keine abgenutzten Scheiben von größeren Geräten.** Schleifscheiben für größere Elektrowerkzeuge sind nicht für die höheren Drehzahlen von kleineren Elektrowerkzeugen ausgelegt und können brechen.

Zusätzliche Sicherheitshinweise für Trennarbeiten

- ◆ **Rammen Sie die Scheibe nicht in das Werkstück, und üben Sie keinen übermäßigen Druck aus. Führen Sie keine übermäßig tiefen Schnitte aus.** Bei Überlastung der Scheibe erhöht sich das Risiko eines Verdrehens oder Verkantens im Schnitt und somit auch das Risiko eines Rückschlags oder Scheibenbruchs.
- ◆ **Positionieren Sie Ihren Körper niemals in einer Linie mit und hinter der sich drehenden Scheibe.** Wenn Sie die Trennscheibe im Werkstück von sich wegbewegen, kann im Falle eines Rückschlags das Elektrowerkzeug mit der sich drehenden Scheibe direkt auf Sie zugeschleudert werden.
- ◆ **Wenn die Scheibe verkantet oder Sie die Arbeit unterbrechen möchten, schalten Sie das Gerät aus, und halten Sie es bewegungslos, bis die Scheibe vollständig zum Stillstand kommt. Versuchen Sie nie, die noch laufende Trennscheibe aus dem Schnitt zu ziehen, sonst kann ein Rückschlag erfolgen.** Ermitteln und beheben Sie die Ursache für das Verklemmen.
- ◆ **Starten Sie den Arbeitsvorgang nicht im Werkstück. Lassen Sie die Trennscheibe erst ihre volle Drehzahl erreichen, bevor Sie den Schnitt vorsichtig fortsetzen.** Anderenfalls kann die Scheibe verhaken, aus dem Werkstück springen oder einen Rückschlag verursachen.
- ◆ **Stützen Sie Platten oder sehr große Werkstücke ab, um ein mögliches Verklemmen oder Rückschlagen der Scheibe zu vermeiden.** Große Werkstücke können sich unter ihrem eigenen Gewicht durchbiegen. Das Werkstück muss auf beiden Seiten der Scheibe abgestützt werden, und zwar sowohl in der Nähe des Trennschnitts als auch an der Kante.
- ◆ **Gehen Sie beim Eintauchschnitt in Wände oder sonstige unübersichtliche Bereiche besonders vorsichtig vor.** Die eintauchende Trennscheibe kann beim Schneiden in Gas- oder Wasserleitungen, elektrische Leitungen oder andere Objekte einen Rückschlag verursachen.

Spezielle Sicherheitshinweise für Schleifarbeiten

- ◆ **Verwenden Sie kein Schleifpapier, das die erforderliche Größe zu sehr übersteigt. Befolgen Sie bei der Auswahl von Schleifpapier die Herstellerempfehlungen.** Schleifblätter, die über den Schleifteller hinausragen, können Verletzungen verursachen sowie zum Blockieren, Zerreißen der Schleifblätter oder zum Rückschlag führen.

Spezielle Sicherheitshinweise für Polierarbeiten

- ◆ **Lose Komponenten der Polierhaube oder lose Befestigungsschnüre dürfen keinesfalls frei drehen. Verstauben oder kürzen Sie die Befestigungsschnüre.** Lose, sich mitdrehende Befestigungsschnüre können Ihre Finger erfassen oder sich im Werkstück verfangen.

Spezielle Sicherheitshinweise für Bürstarbeiten

- ◆ **Beachten Sie, dass sich auch während des normalen Betriebs Drahtborsten lösen und umhergeschleudert werden. Überlasten Sie die Drähte nicht durch zu hohen Anpressdruck.** Wegfliegende Drahtstücke können sehr leicht durch dünne Kleidung und/oder die Haut dringen.
- ◆ **Wenn für Bürstarbeiten die Verwendung einer Schutzvorrichtung empfohlen wird, dürfen weder Scheibe noch Bürste in Kontakt mit der Schutzvorrichtung kommen.** Der Durchmesser von Scheibe oder Bürste kann sich durch Arbeitsbelastung und Zentrifugalkräfte erhöhen.



Warnung! Die beim Schleifen von bestimmten Materialien entstehenden Stäube können bei Berührung oder Einatmen die Gesundheit schädigen. Tragen Sie eine speziell für den Schutz vor Staub und Dämpfen vorgesehene Staubmaske, und stellen Sie sicher, dass auch andere Personen entsprechend geschützt sind, die den Arbeitsplatz betreten oder sich dort aufhalten.

Sicherheit anderer Personen

- ◆ Dieses Gerät darf von Kindern ab 8 Jahren und Personen mit eingeschränkten körperlichen, sensorischen oder geistigen Fähigkeiten sowie mangelnder Erfahrung und Wissen in Bezug auf dessen Gebrauch bedient werden, wenn sie bei der Verwendung des Geräts beaufsichtigt oder angeleitet werden und die möglichen Gefahren verstehen.
- ◆ Kinder dürfen nicht mit dem Gerät spielen. Reinigung und Wartungsarbeiten dürfen von Kindern nur unter Aufsicht durchgeführt werden.

Restrisiken

Beim Gebrauch dieses Geräts verbleiben zusätzliche Restrisiken, die möglicherweise nicht in den Sicherheitswarnungen genannt werden. Diese Risiken bestehen beispielsweise bei Missbrauch oder längerem Gebrauch.

Auch bei der Einhaltung der entsprechenden Sicherheitsvorschriften und der Verwendung aller Sicherheitsgeräte bestehen weiterhin bestimmte Restrisiken. Diese sind:

- ◆ Verletzungen, die durch das Berühren von sich drehenden/bewegenden Teilen verursacht werden.
- ◆ Verletzungen, die durch das Austauschen von Teilen, Sägeblättern oder Zubehör verursacht werden.
- ◆ Verletzungen, die durch längeren Gebrauch eines Geräts verursacht werden. Legen Sie bei längerem Gebrauch regelmäßige Pausen ein.
- ◆ Beeinträchtigung des Gehörs.

- ◆ Gesundheitsrisiken durch das Einatmen von Staub beim Gebrauch des Geräts (beispielsweise bei Holzarbeiten, insbesondere Eiche, Buche und Pressspan).

Vibration

Die in den Abschnitten „Technische Daten“ und „EU-Konformitätserklärung“ angegebenen Werte für die Vibrationsemission wurden mit einer Standard-Prüfmethode nach EN 60745 ermittelt und können zum Vergleich verschiedener Geräte herangezogen werden. Außerdem kann mit Hilfe dieses Werts die Belastung bei Verwendung des Geräts schon im Voraus eingeschätzt werden.

Warnung! Die bei Verwendung des Geräts auftretende Vibrationsemission hängt von der Art des Gerätegebrauchs ab und kann dementsprechend von dem angegebenen Wert abweichen. Gegebenenfalls kann die Vibration über dem angegebenen Wert liegen.

Für die Ermittlung der Vibrationsbelastung müssen die tatsächlichen Einsatzbedingungen und Verwendungen des Geräts während des gesamten Arbeitsgangs berücksichtigt werden, einschließlich der Zeiten, wenn das Gerät nicht verwendet oder im Leerlauf betrieben wird. Diese Werte werden benötigt, um die gemäß 2002/44/EG erforderlichen Sicherheitsmaßnahmen zum Schutz von Personen festlegen zu können.

Etiketten am Werkzeug

Am Gerät sind die folgenden Warnsymbole inkl. Datumscode angebracht:



Warnung! Lesen Sie vor Gebrauch die Anleitung. Andernfalls besteht Verletzungsgefahr.



Tragen Sie eine Schutzbrille, wenn Sie mit dem Gerät arbeiten.



Tragen Sie einen Gehörschutz, wenn Sie mit dem Gerät arbeiten.

Zusätzliche Sicherheitshinweise für Akkus und Ladegeräte

Akkus

- ◆ Keinesfalls versuchen, den Akku zu öffnen.
- ◆ Achten Sie darauf, dass der Akku nicht mit Wasser in Berührung kommt.
- ◆ Nicht bei Temperaturen über 40 °C lagern.
- ◆ Laden Sie den Akku nur bei Umgebungstemperaturen von 10 °C bis 40 °C auf.
- ◆ Verwenden Sie ausschließlich das mitgelieferte Ladegerät.

- ◆ Beachten Sie zur Entsorgung von Akkus oder Batterien die Hinweise im Abschnitt „Umweltschutz“.



Versuchen Sie nie, beschädigte Akkus aufzuladen.

Ladegeräte

- ◆ Verwenden Sie das Stanley Fat Max Ladegerät nur für den Akku des Werkzeugs, mit dem es geliefert wurde. Andere Akkus können platzen und Sachschäden oder Verletzungen verursachen.
- ◆ Versuchen Sie keinesfalls, nicht aufladbare Batterien zu laden.
- ◆ Lassen Sie beschädigte Kabel sofort austauschen.
- ◆ Achten Sie darauf, dass das Ladegerät nicht mit Wasser in Berührung kommt.
- ◆ Versuchen Sie nicht, das Ladegerät zu öffnen.
- ◆ Nehmen Sie am Ladegerät keine Veränderungen vor.



Das Ladegerät darf nur im Innenbereich verwendet werden.



Vor Gebrauch die Anleitung lesen.

Elektrische Sicherheit



Das Ladegerät ist schutzisoliert, daher ist keine Erdleitung erforderlich. Stellen Sie sicher, dass die Netzspannung der auf dem Typenschild des Geräts angegebenen Spannung entspricht. Ersetzen Sie das Ladegerät keinesfalls durch ein normales Netzkabel.

- ◆ Ist das Netzkabel beschädigt, muss es durch den Hersteller oder eine Stanley Fat Max Vertragswerkstatt ausgetauscht werden, um eine mögliche Gefährdung zu vermeiden.

Merkmale

Dieses Gerät verfügt über einige oder alle der folgenden Merkmale:

1. Betriebssperre
2. Auslöseschalter
3. Zusatzhandgriff
4. Spindelverriegelung
5. Schleifschutz
6. Schleifscheiben
7. Akku
8. Stirnlochschlüssel

Abb. A

9. Ladegerät
10. Ladeanzeige

Verwendung

Warnung! Beschleunigen Sie den Arbeitsvorgang nicht mit Gewalt. Vermeiden Sie eine Überlastung.

- ◆ Rechnen Sie mit Funkenflug, wenn die Schleif- oder Trennscheibe das Werkstück berührt.
- ◆ Richten Sie das Gerät stets so aus, dass die Schutzvorrichtung optimalen Schutz vor der Schleif- oder Trennscheibe bietet.

Laden des Akkus (Abb. A)

Der Akku muss vor der erstmaligen Benutzung sowie immer dann aufgeladen werden, wenn das Gerät nicht mehr mit voller Leistung arbeitet. Der Akku kann sich während des Aufladens erwärmen. Das ist normal und deutet nicht auf ein Problem hin.

Warnung! Laden Sie den Akku nicht, wenn die Umgebungstemperatur unter 10 °C oder über 40 °C liegt. Empfohlene Ladetemperatur: ca. 24 °C.

Hinweis: Ein Akku, bei dem die Temperatur der Akkuzellen unter ca. 10 °C oder über 40 °C liegt, wird vom Ladegerät nicht geladen.

Lassen Sie in diesem Fall den Akku im Ladegerät. Das Ladegerät beginnt automatisch mit dem Ladevorgang, sobald sich die Zellen erwärmt bzw. abgekühlt haben.

- ◆ Setzen Sie den Akku (7) in das Ladegerät (9) ein, um diesen zu laden. Der Akku kann nur in einer Richtung in das Ladegerät eingesetzt werden. Erzwingen Sie den Arbeitsvorgang nicht. Vergewissern Sie sich, dass der Akku ordnungsgemäß im Ladegerät steckt.
- ◆ Schließen Sie das Ladegerät an eine Steckdose an und schalten Sie die Stromversorgung ein.

Die Ladeanzeige (10) blinkt.

Der Ladevorgang ist abgeschlossen, wenn die Ladeanzeige (10) dauerhaft leuchtet. Der Akku kann beliebig lange im Ladegerät eingesetzt bleiben. Die LED-Anzeige leuchtet auf, wenn der Akku gelegentlich nachgeladen wird.

- ◆ Ein entladener Akku sollte innerhalb einer Woche wieder aufgeladen werden. Die Lebensdauer des Akkus wird erheblich reduziert, wenn dieser in entladene Zustand aufbewahrt wird.

Belassen des Akkus im Ladegerät

Sie können den Akku auch im Ladegerät belassen. In diesem Fall leuchtet die LED-Anzeige dauerhaft. Das Ladegerät hält den Akku in einem vollständig geladenen Zustand.

Diagnose des Ladegeräts

Wenn das Ladegerät einen schwachen oder beschädigten Akku feststellt, blinkt die Ladeanzeige (10) in schneller Folge rot. Gehen Sie folgendermaßen vor:

- ◆ Setzen Sie den Akku (7) erneut ein.

- ◆ Falls die Ladeanzeige weiterhin in schneller Folge rot aufblinkt, verwenden Sie einen anderen Akku, um herauszufinden, ob der Ladevorgang ordnungsgemäß ausgeführt wird.
- ◆ Wenn der neu eingesetzte Akku ordnungsgemäß geladen wird, ist der ursprüngliche Akku defekt. Geben Sie diesen bei einem Service Center ab, damit er recycelt werden kann.
- ◆ Lassen Sie das Ladegerät von einer autorisierten Vertragswerkstatt überprüfen, wenn bei dem neuen Akku dieselbe Anzeige erscheint wie bei dem ursprünglichen Akku.

Hinweis: Es kann bis zu 30 Minuten dauern, bis sich herausstellt, ob der Akku tatsächlich defekt ist. Falls der Akku zu warm oder zu kalt sein sollte, blinkt die LED-Anzeige abwechselnd langsam und schnell rot auf. Die Anzeige blinkt hierbei einmal langsam, einmal schnell. Danach wiederholt sich der Vorgang.

Ein- und Ausschalten

- ◆ Bewegen Sie die Einschaltsperrle (1) nach vorne, und drücken Sie den Auslöser mit Geschwindigkeitsregler (2), um das Gerät einzuschalten.
- ◆ Lassen Sie zum Ausschalten des Geräts den Auslöser (2) wieder los.

Warnung! Schalten Sie das Gerät nicht unter Last ein oder aus.

Warnung! Bewegen Sie die Einschaltsperrle (1) stets rückwärts in die verriegelte Stellung, wenn das Gerät nicht verwendet wird.

Hinweise für optimale Arbeitsergebnisse

- ◆ Halten Sie das Gerät mit einer Hand am seitlichen Haltegriff und mit der anderen Hand am Hauptgriff sorgfältig fest.

Schleifen von Oberflächen mit Schleifscheiben

- ◆ Halten Sie das Gerät mit einer Hand am seitlichen Haltegriff und mit der anderen Hand am Hauptgriff sorgfältig fest.
- ◆ Üben Sie minimalen Druck auf die Arbeitsfläche aus, damit das Werkzeug mit hoher Geschwindigkeit arbeiten kann. Die Schleifgeschwindigkeit ist am größten, wenn das Werkzeug mit hoher Geschwindigkeit arbeitet.
- ◆ Halten Sie einen Winkel von 20° bis 30° zwischen Gerät und Werkstück ein.
- ◆ Bewegen Sie das Werkzeug kontinuierlich vor und zurück, damit sich keine Furchen in der Arbeitsfläche bilden können.
- ◆ Heben Sie das Werkzeug von der Oberfläche ab, bevor Sie es ausschalten. Lassen Sie das Gerät zum Stillstand kommen, bevor Sie es ablegen.

Schleifen von Kanten mit Schleifscheiben

Die Verwendung von Scheiben zum Trenn- und Kantenschleifen kann zu Rissen oder Rückschlägen führen, wenn sich diese bei Trenn- bzw. Tiefschleifarbeiten verbiegen oder verdrehen. Begrenzen Sie den Gebrauch von Scheiben mit einem Standard-Typ 27-Schutz für oberflächliche Trenn- und Kerbarbeiten (weniger als 13 mm tief), um das Risiko einer ernsthaften Verletzung zu verringern. Die offene Seite der Schutzvorrichtung muss vom Bediener weg zeigen. Für tiefere Schneiden mit einer Schneidscheibe vom Typ 1 benutzen Sie eine geschlossene Schutzvorrichtung vom Typ 1. Weitere Informationen erhalten Sie in der Schleif- und Trenntabelle am Ende dieser Sprachauswahl.

- ◆ Halten Sie das Gerät mit einer Hand am seitlichen Haltegriff und mit der anderen Hand am Hauptgriff sorgfältig fest.
- ◆ Üben Sie minimalen Druck auf die Arbeitsfläche aus, damit das Werkzeug mit hoher Geschwindigkeit arbeiten kann. Die Schleifgeschwindigkeit ist am größten, wenn das Werkzeug mit hoher Geschwindigkeit arbeitet.
- ◆ Stellen Sie sich so, dass die offene Unterseite der Scheibe von Ihnen weg zeigt.
- ◆ Wenn Sie einmal mit einem Schnitt begonnen haben und eine Kerbe im Werkstück gebildet worden ist, ändern Sie nicht den Schnittwinkel. Die Änderung des Winkels bewirkt, dass sich die Scheibe verbiegt und zerbrechen kann. Kantenschleifscheiben sind nicht dazu geschaffen, Seitendrücken zu widerstehen, die durch Verbiegen entstehen können.
- ◆ Heben Sie das Gerät von der Oberfläche ab, bevor Sie es ausschalten. Lassen Sie das Gerät zum Stillstand kommen, bevor Sie es ablegen.

Verwenden Sie keine Kantenschleif-/Schneidscheiben für Flächenschleifanwendungen, weil diese Scheiben nicht für Seitendrücke geschaffen sind, die bei Flächenschleifen auftreten. Die Scheibe kann zerbrechen und schwere Verletzungen erzeugen.

Oberflächenschliff mit Schleifklappenscheiben

- ◆ Halten Sie das Gerät mit einer Hand am seitlichen Haltegriff und mit der anderen Hand am Hauptgriff sorgfältig fest.
- ◆ Üben Sie minimalen Druck auf die Arbeitsfläche aus, damit das Werkzeug mit hoher Geschwindigkeit arbeiten kann. Die Schleifgeschwindigkeit ist am größten, wenn das Werkzeug mit hoher Geschwindigkeit arbeitet.
- ◆ Halten Sie einen Winkel von 5° bis 10° zwischen Gerät und Werkstück ein.
- ◆ Bewegen Sie das Gerät in einer stetigen Vor- und Rückwärtsbewegung, um Unebenheiten am Werkstück zu vermeiden.

- ◆ Heben Sie das Werkzeug von der Oberfläche ab, bevor Sie es ausschalten. Lassen Sie das Gerät zum Stillstand kommen, bevor Sie es ablegen.

Verwenden von Trägerpapier

Wählen Sie für Ihre Anwendung die richtigen Sandschleifscheiben. Es gibt Schleifscheiben mit verschiedenen Körnungen. Grobe Körnungen haben schnellere Materialentfernungsgeschwindigkeiten und eine rauhere Oberfläche. Feinere Körnungen haben langsamere Materialentfernungsgeschwindigkeiten und eine glattere Oberfläche. Beginnen Sie mit grobkörnigen Scheiben zur schnellen, groben Materialentfernung. Gehen Sie zu mittlerem Schmirgelpapier über, und schließen Sie mit einer feinkörnigen Scheibe zur optimalen Oberflächenbeschaffenheit ab.

- ◆ Grobe 16 - 30 Körnung
- ◆ Mittlere 36 - 80 Körnung
- ◆ Feine 100 - 120 Abschlusskörnung
- ◆ Sehr feine 150 - 180 Abschlusskörnung
- ◆ Lassen Sie das Gerät auf volle Drehzahl beschleunigen, bevor die Maschine in Kontakt mit dem Werkstück gelangt.
- ◆ Üben Sie minimalen Druck auf die Arbeitsfläche aus, damit das Werkzeug mit hoher Geschwindigkeit arbeiten kann. Die Schleifgeschwindigkeit ist am größten, wenn das Werkzeug mit hoher Geschwindigkeit arbeitet.
- ◆ Halten Sie einen Winkel von 5° bis 15° zwischen Gerät und Werkstück ein. Die Schleifscheibe sollte etwa 25 mm des Werkstücks berühren.
- ◆ Bewegen Sie das Werkzeug ständig geradlinig, um ein Brennen und Wirbeln der Arbeitsfläche zu vermeiden. Wenn Sie das Werkzeug auf der Arbeitsfläche unbeweglich ruhen lassen oder es kreisförmig bewegen, werden Brand- und Wirbelmarkierungen auf der Arbeitsfläche erzeugt.
- ◆ Heben Sie das Werkzeug von der Oberfläche ab, bevor Sie es ausschalten. Lassen Sie das Gerät zum Stillstand kommen, bevor Sie es ablegen.

Verwenden von Topfdrahtbürsten und Drahtscheiben

Drahtbürsten und Topfdrahtbürsten können zum Entfernen von Rost, Kesselstein und Farbe und zum Glätten unregelmäßiger Flächen benutzt werden.

Hinweis: Beim Bürsten von Farben sollten die gleichen Vorsichtsmaßnahmen wie beim Schleifen von Farben getroffen werden.

- ◆ Halten Sie das Gerät mit einer Hand am seitlichen Haltegriff und mit der anderen Hand am Hauptgriff sorgfältig fest.
- ◆ Üben Sie minimalen Druck auf die Arbeitsfläche aus, damit das Werkzeug mit hoher Geschwindigkeit arbeiten kann. Die Materialentfernungsgeschwindigkeit ist am

größten, wenn das Werkzeug mit hoher Geschwindigkeit arbeitet.

- ◆ Halten Sie beim Gebrauch von Drahtbürsten einen Winkel von 5° bis 10° zwischen Gerät und Werkstück.
- ◆ Halten Sie bei Drahtbürsten Kontakt zwischen dem Rand der Scheibe und der Arbeitsfläche bei.
- ◆ Bewegen Sie das Werkzeug kontinuierlich vor und zurück, damit sich keine Furchen in der Arbeitsfläche bilden können. Wenn Sie das Werkzeug auf der Arbeitsfläche unbeweglich ruhen lassen oder es kreisförmig bewegen, werden Brand- und Wirbelmarkierungen auf der Arbeitsfläche erzeugt.
- ◆ Heben Sie das Gerät von der Oberfläche ab, bevor Sie es ausschalten. Lassen Sie das Gerät zum Stillstand kommen, bevor Sie es ablegen.

Seien Sie besonders vorsichtig, wenn Sie über einer Kante arbeiten, da mit einer plötzlichen scharfen Bewegung der Schleifmaschine zu rechnen ist.

Vorsichtsmaßnahmen beim Schleifen oder Bürsten von Farben

- ◆ Das Abschleifen von Farben auf Bleibasis wird NICHT EMPFOHLEN, da der entstehende kontaminierte Staub kaum kontrollierbar ist. Die größte Gefahr einer Bleivergiftung besteht für Kinder und Schwangere.
- ◆ Da es ohne chemische Analyse nur schwer feststellbar ist, ob eine Farbe Blei enthält, empfehlen wir beim Abschleifen aller Farben folgende Vorsichtsmaßnahmen:

Sicherheit von Personen

- ◆ Kinder und Schwangere dürfen den Arbeitsplatz erst wieder betreten, wenn das Abschleifen der Farbe beendet wurde und der gesamte Arbeitsbereich gesäubert wurde.
- ◆ Alle Personen, die den Arbeitsplatz betreten, müssen eine spezielle Maske zum Schutz vor Bleifarbstaub und -dämpfen tragen. Der Filter muss täglich ausgetauscht werden, oder sobald der Träger Atemprobleme bemerkt.

Hinweis: Es sollten nur solche Staubmasken benutzt werden, die für Arbeiten mit Bleifarbestaub und -dämpfe geeignet sind. Gewöhnliche Farbmasken bieten diesen Schutz nicht. Besorgen Sie sich von Ihrem örtlichen Händler den geeigneten Atemschutz.

- ◆ Im Arbeitsbereich sind ESSEN, TRINKEN und RAUCHEN verboten, um die Aufnahme kontaminierter Farbteilchen zu vermeiden. Personen müssen sich waschen und säubern, BEVOR sie essen, trinken oder rauchen. Lebensmittel, Getränke und Zigaretten etc. dürfen nicht an Stellen im Arbeitsbereich aufbewahrt werden, wo sich Staub auf ihnen ablagern könnte.

Umweltsicherheit

- ◆ Farbe muss so entfernt werden, dass dabei möglichst wenig Staub erzeugt wird.

- ◆ Bereiche, in denen Farbe entfernt wird, müssen mit Plastikplanen von 4 mils (0,1 mm) Dicke abgetrennt werden.
- ◆ Das Schleifen muss so erfolgen, dass möglichst wenig Farbstaub außerhalb des Arbeitsbereichs gelangt.

Reinigung und Entsorgung

- ◆ Alle Oberflächen im Arbeitsbereich müssen täglich abgesaugt und gründlich gesäubert werden, solange Schleifarbeiten durchgeführt werden. Die Staubsaugerfilter müssen häufig gewechselt werden.
- ◆ Die Abdeckplanen aus Plastik sollten gemeinsam mit Spänen und anderen Abfällen eingesammelt und entfernt werden. Die Planen müssen in dichten Abfallbehältern aufbewahrt und zusammen mit der regelmäßigen Abfallentsorgung abgeholt werden. Kinder und Schwangere sind während der Reinigungsarbeiten aus dem unmittelbaren Arbeitsbereich fernzuhalten.
- ◆ Alle Spielsachen, waschbare Möbel und andere Gegenstände, die von Kindern benutzt werden, müssen vor der Wiederverwendung gründlich gereinigt werden.

Verwenden von Trennscheiben

Verwenden Sie keine Kantenschleif-/Schneidscheiben für Flächenschleifanwendungen, weil diese Scheiben nicht für Seitendrücke geschaffen sind, die bei Flächenschleifen auftreten. Die Scheibe kann zerbrechen und schwere Verletzungen erzeugen.

- ◆ Lassen Sie das Werkzeug auf volle Drehzahl beschleunigen, bevor es die Arbeitsfläche berührt.
- ◆ Üben Sie minimalen Druck auf die Arbeitsfläche aus, damit das Werkzeug mit hoher Geschwindigkeit arbeiten kann. Die Schleifgeschwindigkeit ist am größten, wenn das Werkzeug mit hoher Geschwindigkeit arbeitet.
- ◆ Wenn Sie einmal mit einem Schnitt begonnen haben und eine Kerbe im Werkstück gebildet worden ist, ändern Sie nicht den Schnittwinkel. Die Änderung des Winkels bewirkt, dass sich die Scheibe verbiegt und zerbrechen kann.
- ◆ Heben Sie das Werkzeug von der Oberfläche ab, bevor Sie es ausschalten. Lassen Sie das Gerät zum Stillstand kommen, bevor Sie es ablegen.

Wartung

Ihr Stanley Fat Max Gerät wurde im Hinblick auf eine lange Lebensdauer und einen möglichst geringen Wartungsaufwand entwickelt. Ein kontinuierlicher, zufriedenstellender Betrieb hängt von der richtigen Pflege des Gerätes und seiner regelmäßigen Reinigung ab.

Das Ladegerät benötigt keine Wartung, es sollte jedoch regelmäßig gereinigt werden.

Warnung! Vor dem Ausführen jeglicher Wartungsarbeiten an Geräten mit und ohne Netzkabel:

- ◆ Schalten Sie das Gerät aus, und ziehen Sie den Netzstecker.
- ◆ Wenn das Gerät über einen separaten Akku verfügt, schalten Sie das Gerät ab und entfernen Sie ihn vom Gerät.
- ◆ Wenn das Gerät über einen separaten Akku verfügt, schalten Sie das Gerät ab und entfernen Sie ihn vom Gerät.
- ◆ Trennen Sie das Ladegerät von der Stromversorgung, bevor Sie es reinigen. Das Ladegerät benötigt keine Wartung, es sollte jedoch regelmäßig gereinigt werden.
- ◆ Reinigen Sie regelmäßig die Lüftungsschlitze des Geräts und des Ladegeräts mit einer weichen Bürste oder einem trockenen Tuch.
- ◆ Reinigen Sie regelmäßig die Lüftungsschlitze des Geräts und des Ladegeräts mit einer weichen Bürste oder einem trockenen Tuch. Verwenden Sie keine scheuernden Reinigungsmittel oder Reinigungsmittel auf Lösungsmittelbasis.
- ◆ Öffnen Sie regelmäßig das Spannfutter, und entfernen Sie durch Klopfen ggf. Staub aus dem Inneren des Geräts.

Umweltschutz



Getrennte Entsorgung. Produkte und Batterien, die mit diesem Symbol gekennzeichnet sind, dürfen nicht im normalen Hausmüll entsorgt werden.

Produkte und Akkus enthalten Materialien, die wiederverwertet werden können, um den Bedarf an Rohstoffen zu verringern. Bitte recyceln Sie Elektroprodukte und Batterien gemäß den lokalen Bestimmungen. Weitere Informationen finden Sie auf www.2helpU.com.

Technische Daten

FMC761 (H1)		
Spannung	V _{DC}	18
Leerlaufdrehzahl	Min ⁻¹	9,000
Scheibendurchmesser	mm	125
Scheibenbohrung	mm	22
Max. Scheibenstärke		
Schleifscheibe	mm	6
Trennscheibe	mm	3,5
Spindeldurchmesser	M14	
Spindellänge (mit aufgesetztem inneren Flansch)	mm	14
Spindellänge (ohne aufgesetzten inneren Flansch)	mm	19,5
Gewicht	kg	2,9

Ladegerät	905998**	906086**
Eingangsspannung	V _{AC} 230	230
Ausgangsspannung	V _{DC} 18	18
Stromstärke	A 1	2
Ungefähre Ladezeit	min 90-240	45-120

Akku	FMC685L	FMC687L	FMC688L
Spannung	V _{AC} 18	18	18
Kapazität	Ah 1,5	2,0	4,0
Typ	Li-Ion	Li-Ion	Li-Ion

Schalldruckpegel gemäß EN 60745:	
Schalldruck (L _{pa})	80,5 dB(A), Unsicherheitsfaktor (K) 3 dB(A)
Schalleistung (L _{wa})	91,5 dB(A), Unsicherheitsfaktor (K) 3 dB(A)

Gesamtvibration (Triax-Vektorsumme) gemäß EN 60745:	
Oberflächenschleifen (a _{n,sc})	3,9 m/s ² , Unsicherheitsfaktor (K) 1,5 m/s ²
Polieren (a _{n,p})	2,0 m/s ² , Unsicherheitsfaktor (K) 1,5 m/s ²
Scheibenschleifen (a _{n,sp})	4,5 m/s ² , Unsicherheitsfaktor (K) 1,5 m/s ²

Achtung! Anwendungen wie Abtrennen oder Drahtbürsten können andere Schwingungsemissionen haben.

EU-Konformitätserklärung

MASCHINENRICHTLINIE



FMC761 - Akku-Winkelschleifer

Stanley Fat Max erklärt, dass diese unter „Technische Daten“ beschriebenen Geräte übereinstimmen mit:
EN60745-1:2009+A11:2010, EN60745-2-3:2011+A12:2014

Diese Produkte entsprechen außerdem der Richtlinie 2006/42/EC, 2014/30/EU und 2011/65/EU.

Weitere Informationen erhalten Sie von Stanley Fat Max unter der folgenden Adresse. Diese befindet sich auch auf der Rückseite dieser Anleitung.

Der Unterzeichnete ist verantwortlich für die Zusammenstellung des technischen Dossiers und gibt diese Erklärung im Namen von Stanley Fat Max.

R. Laverick
Engineering Director

Stanley Fat Max Europe, Egide Walschaertsstraat 14-18,
2800 Mechelen, Belgien
01.10.2018

Garantie

Stanley Fat Max vertraut auf die Qualität der eigenen Geräte und bietet dem Käufer eine außergewöhnliche Garantie von 12 Monaten ab Kaufdatum. Diese Garantie versteht sich unbeschadet der gesetzlichen Gewährleistungsansprüche und schränkt diese keinesfalls ein. Diese Garantie gilt innerhalb der Staatsgebiete der Mitgliedstaaten der Europäischen Union und der Europäischen Freihandelszone.

Zur Inanspruchnahme dieser Garantie muss sie den allgemeinen Geschäftsbedingungen von Stanley Fat Max entsprechen und dem Verkäufer bzw. der Vertragswerkstatt ist ein Kaufnachweis vorzulegen. Die Bedingungen für die 1-jährige Garantie von Stanley Fat Max und den Standort Ihrer nächstgelegenen Vertragswerkstatt finden Sie im Internet unter www.2helpU.com oder indem Sie sich an die lokale Stanley Fat Max -Niederlassung wenden, deren Adresse Sie in dieser Anleitung finden.

Ihr neues Stanley Fat Max-Produkt können Sie auf unserer Website unter www.stanley.eu/3 registrieren. Dort erhalten Sie auch Informationen über neue Produkte und Sonderangebote.

Utilisation prévue

Votre meuleuse d'angle Stanley Fat Max FMC761 a été conçue pour meuler et couper le métal et les matériaux de maçonnerie à l'aide du disque à tronçonner ou à meuler approprié. Cet outil a été conçu pour les professionnels et les particuliers.

Consignes de sécurité

Consignes de sécurité concernant les outils électriques



Avertissement ! Lisez tous les avertissements et toutes les consignes de sécurité. Le non-respect des avertissements et des instructions listés ci-dessous peut entraîner des chocs électriques, des incendies et/ou de graves blessures.

Conservez tous les avertissements et toutes les instructions afin de pouvoir vous y référer dans le futur. Le terme «outil électrique» mentionné dans tous les avertissements listés ci-dessous fait référence à vos outils électriques branchés sur secteur (avec câble) ou fonctionnant sur pile ou batterie (sans fil).

1. Sécurité de la zone de travail

- Maintenez la zone de travail propre et bien éclairée.**
Les zones sombres ou encombrées sont propices aux accidents.
- N'utilisez pas d'outils électriques dans un environnement présentant des risques d'explosion ou en présence de liquides, gaz ou poussières inflammables.** Les outils électriques créent des étincelles qui peuvent enflammer les poussières et les fumées.
- Maintenez les enfants et autres personnes éloignés lorsque les outils électriques sont en marche.** Toute distraction peut vous faire perdre le contrôle de l'outil.

2. Sécurité électrique

- Les prises des outils électriques doivent correspondre à la prise de courant murale. Ne modifiez jamais la prise d'aucune sorte. N'utilisez aucun adaptateur avec des outils électriques reliés à la terre.** L'utilisation de prises d'origine et de prises murales appropriées permet de réduire le risque de choc électrique.
- Évitez tout contact physique avec des surfaces reliées à la terre comme des tuyaux, des radiateurs, des fours et des réfrigérateurs par exemple.** Le risque de choc électrique augmente si votre corps est relié à la terre.

- c. **N'exposez pas les outils électriques à la pluie, ni à l'humidité.** Le risque de choc électrique augmente si de l'eau pénètre dans un outil électrique.
 - d. **Ne tirez pas sur le cordon d'alimentation. N'utilisez jamais le cordon pour transporter, tirer ou débrancher l'outil électrique. Maintenez le cordon éloigné de la chaleur, des substances grasses, des bords tranchants ou des pièces mobiles.** Les cordons endommagés ou emmêlés augmentent le risque de choc électrique.
 - e. **Si vous utilisez un outil électrique à l'extérieur, utilisez une rallonge homologuée pour les travaux extérieurs.** L'utilisation d'une rallonge électrique homologuée pour les travaux en extérieur réduit le risque de choc électrique.
 - f. **Si l'utilisation d'un outil électrique dans un endroit humide est inévitable, utilisez une alimentation électrique protégée par un disjoncteur différentiel.** L'utilisation d'un disjoncteur différentiel réduit le risque de choc électrique.
3. **Sécurité des personnes**
- a. **Restez vigilant, surveillez ce que vous faites et faites preuve de bon sens lorsque vous utilisez un outil électrique. N'utilisez pas d'outils électriques si vous êtes fatigué ou sous l'influence de drogue, d'alcool ou de médicaments.** Tout moment d'inattention pendant l'utilisation d'un outil électrique peut engendrer de graves blessures.
 - b. **Portez des équipements de protection individuelle. Portez toujours une protection oculaire.** Les équipements de protection comme les masques à poussière, les chaussures de sécurité antidérapantes, les casques ou les protections auditives utilisés à bon escient réduisent le risque de blessures.
 - c. **Empêchez tout démarrage intempestif. Assurez-vous que l'interrupteur est en position Arrêt avant de raccorder l'outil à l'alimentation électrique et/ou au bloc-batterie ou avant de ramasser ou de transporter l'outil.** Le fait de transporter les outils électriques le doigt sur l'interrupteur ou d'alimenter les outils électriques dont l'interrupteur est déjà en position de marche augmente les accidents.
 - d. **Retirez toutes les clés ou pinces de réglage avant de mettre l'outil en marche.** Une clé ou une pince restée fixée à la partie rotative de l'outil électrique peut engendrer des blessures.
 - e. **Ne présumez pas de vos forces. Gardez les pieds bien ancrés au sol et conservez votre équilibre en permanence.** Cela permet de mieux maîtriser l'outil électrique en cas de situations imprévues.
 - f. **Portez des vêtements appropriés. Ne portez aucun vêtement ample ou bijou. Gardez vos cheveux, vos vêtements et vos gants éloignés des pièces mobiles.**

Les vêtements amples, les bijoux ou les cheveux longs peuvent être happés par les pièces mobiles.

- g. **Si des dispositifs pour l'extraction des poussières ou des installations pour la récupération sont présents, assurez-vous qu'ils sont correctement raccordés et utilisés.** L'utilisation de dispositifs récupérateurs de poussières réduit les risques liés aux poussières.
4. **Utilisation et entretien des outils électriques**
- a. **Respectez la capacité de l'outil. Utilisez l'outil approprié au travail en cours.** Un outil adapté fonctionne mieux, de façon plus sûre et à la cadence pour laquelle il a été conçu.
 - b. **N'utilisez pas l'outil électrique si son interrupteur Marche/Arrêt est défectueux.** Tout outil électrique qui ne peut plus être commandé par son interrupteur est dangereux et doit être réparé.
 - c. **Débranchez la prise du secteur et/ou le bloc-batterie de l'outil électrique avant d'effectuer tout réglage, de changer un accessoire ou de ranger l'outil électrique.** Ces mesures de sécurité préventives réduisent le risque de démarrage accidentel de l'outil électrique.
 - d. **Rangez les outils électriques non utilisés hors de portée des enfants et ne laissez aucune personne ne connaissant pas ces outils ou leurs instructions d'utilisation les faire fonctionner.** Les outils électriques peuvent être dangereux entre des mains inexpérimentées.
 - e. **Entretenez vos outils électriques. Vérifiez que les pièces mobiles sont alignées correctement et qu'elles ne sont pas coincées. Vérifiez qu'il n'y a pas de pièces cassées ou toute autre condition qui pourrait nuire au bon fonctionnement de l'outil. En cas de dommage, faites réparer l'outil électrique avant utilisation.** De nombreux accidents sont provoqués par des outils électriques mal entretenus.
 - f. **Maintenez les organes de coupe affûtés et propres.** Des organes de coupe bien entretenus et affûtés sont moins susceptibles de rester coincés et sont plus faciles à contrôler.
 - g. **Utilisez les outils électriques, les accessoires et les embouts d'outil conformément à ces instructions, en tenant compte des conditions de travail, ainsi que du travail à effectuer.** L'utilisation d'un outil électrique à des fins autres que celles pour lesquelles il a été prévu engendre des situations dangereuses.
5. **Utilisation et entretien de la batterie de l'outil**
- a. **N'effectuez la recharge qu'à l'aide du chargeur spécifié par le fabricant.** Un chargeur adapté pour un autre type de bloc-batterie peut engendrer un risque d'incendie s'il est utilisé avec un bloc-batterie différent.

- b. **N'utilisez les outils électriques qu'avec les blocs-batteries qui leurs sont dédiés.** L'utilisation d'un autre bloc-batterie peut engendrer des blessures et un incendie.
 - c. **Lorsque le bloc-batterie n'est pas utilisé, éloignez-le des objets en métal comme les trombones, les pièces de monnaies, les clés, les clous, les vis ou d'autres petits objets métalliques qui pourraient créer une liaison entre les deux bornes.** La mise en court-circuit des bornes d'une batterie peut provoquer des brûlures ou un incendie.
 - d. **En cas d'utilisation abusive, du liquide peut être éjecté de la batterie. Évitez tout contact avec ce liquide. En cas de contact accidentel, rincez à l'eau. En cas de contact avec les yeux, consultez un médecin.** Le liquide projeté de la batterie peut provoquer des irritations ou des brûlures.
6. **Réparation**
- a. **Faites réparer votre outil électrique par une personne qualifiée, n'utilisant que des pièces de rechange d'origine.** Cela permet de garantir la sûreté de l'outil électrique.

Consignes de sécurité supplémentaires concernant les outils électriques



Avertissement ! Consignes de sécurité supplémentaires pour les opérations de meulage, de ponçage, de broyage métallique, de polissage ou de coupe abrasive.

- ◆ **Cet outil électrique est conçu pour fonctionner comme meuleuse, ponceuse, brosse métallique, polisseuse ou outil de découpe. Veuillez lire tous les avertissements de sécurité, toutes les instructions, illustrations et spécifications fournies avec cet outil électrique.** Le non respect des instructions listées ci-dessous peut conduire à des chocs électriques, des incendies et/ou de graves blessures.
- ◆ **Les opérations pour lesquelles l'outil électrique n'a pas été conçu peuvent engendrer des risques et conduire à des blessures.**
- ◆ **N'utilisez que les accessoires spécifiquement conçus et recommandés par le fabricant de l'outil.** Le fait que l'accessoire puisse être fixé à votre outil électrique ne veut pas forcément dire que son utilisation est sans risque.
- ◆ **La vitesse nominale de l'accessoire doit être au moins égale à la vitesse maximum spécifiée sur l'outil électrique.** Les accessoires qui fonctionnent plus vite que leur vitesse nominale peuvent rompre et voler en éclats
- ◆ **Le diamètre extérieur et l'épaisseur de votre accessoire doivent correspondre à la capacité nominale de**

votre outil électrique. Des accessoires mal dimensionnés ne peuvent pas être correctement protégés et contrôlés.

- ◆ **Le filetage de réception des accessoires doit correspondre à celui de l'axe de la meuleuse. Pour les accessoires montés avec des brides, l'alésage de l'accessoire doit correspondre au diamètre de positionnement de la bride.** Les accessoires qui ne correspondent pas au dispositif d'installation de l'outil électrique ne tournent pas correctement, vibrent de façon excessive et peuvent provoquer la perte de contrôle de l'outil.
- ◆ **N'utilisez pas d'accessoires endommagés. Avant toute utilisation, vérifiez tous les accessoires, par exemple que les meules abrasives ne sont ni ébréchées ni fendues, les tampons de soutien ne sont ni fendus ni usés excessivement, les brosses métalliques ne comportent aucun élément brisé ou lâche. Si l'outil électrique ou l'accessoire tombent, vérifiez l'absence de dommages ou installez un accessoire en bon état. Après avoir inspecté et installé un accessoire, éloignez vous et toutes personnes présentes du plan de rotation de l'accessoire et laissez tourner l'outil électrique une minute à sa vitesse à vide maximale.** En général, c'est pendant ce délai de test que se brisent les accessoires endommagés.
- ◆ **Portez des équipements de protection individuelle. En fonction de l'intervention, utilisez un écran facial ou des lunettes de sécurité. Si approprié, portez un masque anti-poussières, une protection auditive, des gants et un tablier d'atelier capables de stopper tout fragment abrasif ou provenant de la pièce à travailler.** La protection oculaire doit être capable d'arrêter les débris générés par les diverses opérations. Le masque anti-poussière ou le masque filtrant doit pouvoir filtrer les particules produites au cours de l'opération. Les expositions prolongées à un niveau de bruit élevé peuvent provoquer une perte de l'acuité auditive.
- ◆ **Maintenez les personnes présentes à une distance sûre de la zone de travail. Toute personne pénétrant dans la zone de travail doit porter des équipements de protection individuels.** Des débris provenant de la pièce à travailler ou d'un accessoire brisé peuvent être éjectés et provoquer des blessures au-delà de la zone de travail immédiate.
- ◆ **Tenez l'outil électrique par ses surfaces de préhension isolées pendant les opérations pour lesquelles l'accessoire de coupe peut entrer en contact avec des fils électriques cachés ou son propre cordon.** Tout contact de l'accessoire de coupe avec un fil sous tension peut mettre les parties métalliques exposées de l'outil sous tension et provoquer un choc électrique à l'utilisateur.

◆ **Maintenez le cordon électrique éloigné de l'accessoire en rotation.**

En cas de perte de contrôle, le cordon peut être sectionné ou abîmé, et vos bras ou mains peuvent entrer en contact avec l'accessoire en rotation.

◆ **Ne posez pas l'outil avant l'arrêt complet de l'accessoire.** L'accessoire en rotation pourrait sinon accrocher la surface et vous faire perdre le contrôle de l'outil.

◆ **Ne portez pas l'outil sur le côté quand il est en marche.** Un contact accidentel avec l'accessoire en rotation pourrait accrocher vos vêtements, et attirer l'accessoire vers votre corps.

◆ **Nettoyez régulièrement les orifices d'aération de l'outil électrique.** Le ventilateur du moteur attire la poussière à l'intérieur du boîtier et une accumulation excessive de poussières métalliques peut conduire à un risque électrique.

◆ **Ne faites pas fonctionner l'outil près de substances inflammables.** Des étincelles pourraient enflammer ces matières.

◆ **N'utilisez pas d'accessoires nécessitant l'utilisation d'un liquide de refroidissement.** L'utilisation d'eau ou de tout autre fluide de refroidissement peut provoquer une électrocution ou un choc électrique.

Remarque : L'avertissement ci-dessus ne s'applique pas aux outils électriques spécialement conçus pour un utilisation avec un système à liquide.

Effets de retour et dangers liés à ce phénomène

Les rebonds sont la conséquence du pincement ou du grippage d'un disque, d'un tampon de soutien, d'une brosse ou de tout autre accessoire en rotation. Dans ce cas, l'accessoire en rotation se bloque rapidement. À terme l'outil non contrôlé est forcé dans la direction opposée à la rotation de l'accessoire au point où il se trouve coincé.

Par exemple, si un disque abrasif reste grippé ou pincé dans une pièce à travailler, le bord du disque engagé au point de grippage peut s'enfoncer dans la surface du matériau ce qui le fait tressauter ou rebondir. Le disque peut être projeté vers l'utilisateur ou à l'opposé, ceci dépend de la direction du mouvement du disque au point de pincement. Dans ces conditions, il peut aussi arriver que les disque abrasifs se brisent.

Les rebonds proviennent d'une utilisation inappropriée de l'outil électrique et/ou de conditions ou procédures d'exécution incorrectes, et peuvent être évités en prenant les précautions adéquates énoncées ci-dessous.

◆ **Maintenez fermement l'outil électrique et placez votre corps et votre bras de façon à pouvoir résister à la force d'un rebond. Utilisez toujours la poignée auxi-**

liaire, si elle existe, pour un contrôle maximal de l'outil en cas de rebonds ou de retour de couple au démarrage. L'utilisateur peut contrôler les retours de couple ou la force des rebonds si des précautions adéquates sont prises.

◆ **Ne placez jamais vos mains près de l'accessoire en rotation.** L'accessoire pourrait rebondir sur vos mains.

◆ **Ne positionnez pas votre corps dans l'espace que pourrait occuper l'outil en cas de rebonds.** Un rebond propulse l'outil dans la direction opposée au mouvement du disque au niveau du point de grippage.

◆ **Prenez des précautions particulières si vous travaillez dans des coins, des bords acérés, etc. Évitez de faire rebondir l'outil sur la matière et le grippage de l'accessoire.** Les coins, bords acérés ou les rebondissements ont tendance à retenir l'accessoire en rotation et à provoquer la perte de contrôle de l'outil ou des rebonds.

◆ **Ne fixez pas de lame à sculpter ou de lame dentée.** Ces lames provoquent de fréquents rebonds ou perte de contrôle.

Consignes de sécurité spécifiques aux opérations de meulage et de coupe abrasive :

◆ **N'utilisez que les types de disque recommandés pour votre outil et la protection spécifiquement conçue pour le disque sélectionné.** Les disques non conçus pour l'outil électrique ne peuvent pas être correctement protégés et ils sont dangereux.

◆ **La surface de meulage des disques à moyeu déportés doit être fixée sous le plan de la lèvres de protection.** Un disque mal monté qui dépasse du plat de la lèvres de protection ne peut pas être correctement protégé.

◆ **Le dispositif de protection doit être soigneusement fixé à l'outil électrique et placé de façon à optimiser la sécurité et que l'utilisateur soit le moins possible exposé au disque.** Le dispositif de protection contribue à protéger l'opérateur contre les fragments de disque brisé, le contact accidentel avec le disque ainsi que des étincelles susceptibles d'enflammer les vêtements.

◆ **Les disques ne doivent être utilisés que pour les applications recommandées. Ne meulez par exemple pas avec la surface latérale du disque.** Les disques abrasifs à tronçonner sont prévus pour le meulage périphérique, toute force latérale appliquée sur ces disques pourrait les faire voler en éclats.

◆ **Utilisez toujours des brides de disques en parfait état, de taille et de forme adaptées au disque choisi.** Les rebords de disque adéquats maintiennent le disque et réduisent les risques de rupture du disque. Les brides de disques à tronçonner peuvent différer des brides de disques à meuler.

◆ **N'utilisez pas les disques usés provenant de plus gros outils électriques.** Les disques conçus pour des

outils électriques plus gros ne sont pas adaptés pour les vitesses plus rapides des outils plus petits, et ils peuvent voler en éclats.

Consignes de sécurité supplémentaires spécifiques aux opérations de coupe abrasive

◆ **Ne coinciez pas le disque à tronçonner et ne lui appliquez pas de pression excessive. Ne tentez pas de réaliser des découpes de trop grandes profondeurs.**

Une pression excessive sur le disque augmente la charge imposée à l'outil et les possibilités de torsion ou de grippage du disque dans la coupe et par conséquent les risques de rebonds ou de ruptures.

◆ **Ne placez pas votre corps dans l'alignement ou derrière le disque en rotation.** Lorsque le disque, au point d'exécution, s'éloigne de votre corps, le rebond possible peut le propulser avec l'outil électrique directement vers vous.

◆ **En cas de grippage du disque ou si une coupe est interrompue pour une quelconque raison, éteignez l'outil électrique et maintenez-le immobile jusqu'à l'arrêt complet du disque. Ne tentez jamais de retirer un disque à tronçonner de la coupe alors qu'il est en rotation, un rebond pourrait sinon se produire.** Cherchez la cause du grippage du disque et appliquez les actions correctives afin de la supprimer.

◆ **Ne redémarrez pas l'outil dans la pièce à travailler. Laissez le disque tourner à plein régime puis réentrez le prudemment dans la coupe.** Le disque pourrait sinon se gripper, sortir de la coupe ou rebondir si l'outil électrique était remis en marche à l'intérieur de la pièce à découper.

◆ **Soutenez les panneaux et les pièces de grandes tailles afin de minimiser le risque de coincement du disque et les rebonds.** Les pièces de grande taille ont tendance à s'affaisser sous leur propre poids. Des supports doivent être placés sous la pièce à découper, près de la ligne de découpe, des deux côtés du disque.

◆ **Prenez des précautions supplémentaires pour les « découpes de cavités » dans des murs existants ou dans toute zone à visibilité limitée.** La saillie du disque pourrait couper des canalisations de gaz ou d'eau, des fils électriques ou des objets pouvant provoquer des rebonds.

Consignes de sécurité spécifiques aux opérations de ponçage

◆ **N'utilisez pas de disques de papier abrasif surdimensionnés. Suivez les recommandations des fabricants pour sélectionner le papier abrasif.** Les feuilles de papier abrasif de grande taille, dépassant du patin de ponçage, posent des risques de laceration, et peuvent provoquer l'accrochage ou la rupture du disque ou des rebonds.

Consignes de sécurité spécifiques aux opérations de polissage

◆ **Ne laissez aucune portion flottante du bonnet de polissage ou de ses cordons de fixation tourner librement. Rangez ou coupez les parties de cordons de fixation en surplus.** Des cordons de fixation trop longs, en rotation libre, peuvent se prendre dans les doigts ou dans la pièce à travailler.

Consignes de sécurité spécifiques aux opérations de brossage métallique

◆ **Gardez à l'esprit que des fibres métalliques sont éjectées par la brosse même pendant les opérations ordinaires. Ne contraignez pas trop les fils métalliques en appliquant une pression excessive sur la brosse.** Les fibres métalliques peuvent facilement pénétrer les vêtements légers et/ou la peau.

◆ **Si l'utilisation d'un carter est recommandée pour le brossage métallique, protégez le disque métallique ou la brosse de toute interférence avec le carter.** Le diamètre de la brosse ou du disque métallique peut augmenter avec la charge de travail et les forces centrifuges.



Avertissement ! Tout contact ou inhalation de poussières pendant le ponçage peut présenter un danger pour la santé de l'opérateur et des personnes éventuellement présentes à proximité. Portez un masque antipoussières spécialement conçu pour vous protéger des poussières et des fumées et veillez à ce que les personnes se trouvant à l'intérieur de la zone de travail ou y pénétrant soient également protégées.

Sécurité des personnes

◆ Cet outil peut être utilisé par des enfants âgés de 8 ans ou plus et par des personnes aux capacités physiques, mentales ou sensorielles déficientes ou qui manquent d'expérience ou de connaissance s'ils sont supervisés ou ont été formés à l'utilisation sûre de l'appareil et qu'ils sont conscients des risques potentiels.

◆ Ne laissez pas les enfants jouer avec l'appareil. Les enfants ne peuvent en aucun cas assurer le nettoyage et l'entretien sans surveillance.

Risques résiduels

Certains risques résiduels autres que ceux mentionnés dans les avertissements sur la sécurité peuvent survenir en utilisant l'outil. Ces risques peuvent être provoqués par une utilisation incorrecte, prolongée, etc.

Malgré l'application des normes de sécurité pertinentes et la présence de dispositifs de sécurité, certains risques résiduels ne peuvent pas être évités. Ils comprennent :

- ◆ Les blessures dues au contact avec une pièce en rotation/ en mouvement.
- ◆ Les blessures dues au remplacement de pièces, lames ou accessoires.
- ◆ Les blessures dues à l'utilisation prolongée d'un outil. Lorsque l'outil est utilisé pendant de longues périodes, assurez-vous de faire des pauses régulières.
- ◆ La diminution de l'acuité auditive.
- ◆ Les risques sanitaires dus à l'inhalation de poussières émises pendant l'utilisation de l'outil (exemple : travail avec du bois, surtout le chêne, le hêtre et les panneaux en MDF)

Vibrations

La valeur des émissions de vibrations déclarée dans la section Caractéristiques techniques et la déclaration de conformité a été mesurée selon une méthode de test standard fournie par la norme EN 60745 et peut être utilisée pour comparer un outil à un autre. La valeur des émissions de vibrations déclarée peut aussi être utilisée pour une évaluation préliminaire à l'exposition.

Avertissement ! En fonction de la manière dont l'outil est utilisé, la valeur des émissions de vibrations réelles pendant l'utilisation de l'outil peut différer de la valeur déclarée. Le niveau des vibrations peut dépasser le niveau déclaré.

Quand l'exposition aux vibrations est évaluée afin de déterminer les mesures de sécurité requises par la norme 2002/44/CE pour protéger les personnes utilisant régulièrement des outils électriques, cette estimation doit tenir compte des conditions réelles d'utilisation et de la façon dont l'outil est utilisé. Il faut également tenir compte de toutes les composantes du cycle de fonctionnement comme la durée pendant laquelle l'outil est arrêté et quand il fonctionne au ralenti, ainsi que la durée du déclenchement.

Étiquettes sur l'outil

Outre le code date, les symboles suivants sont apposés sur l'outil :



Avertissement ! Pour réduire le risque de blessures, l'utilisateur doit lire le manuel d'instructions.



Portez des lunettes de sécurité pendant l'utilisation de l'outil.



Portez des protections auditives pendant l'utilisation de l'outil.

Consignes de sécurité supplémentaires relatives aux batteries et chargeurs

Batteries

- ◆ Ne tentez jamais sous aucun prétexte de les ouvrir.
- ◆ N'exposez pas la batterie à l'eau.
- ◆ Ne la stocker pas dans des endroits où la température peut dépasser 40° C.
- ◆ Ne la rechargez qu'à une température ambiante comprise entre 10° C et 40° C.
- ◆ Ne les rechargez qu'à l'aide du chargeur fourni avec l'outil.
- ◆ Pour la mise au rebut des batteries/piles, respectez les instructions mentionnées à la section « Protection de l'environnement ».



N'essayez pas de recharger des batteries endommagées.

Chargeurs

- ◆ N'utilisez votre chargeur Stanley Fat Max que pour charger la batterie fournie avec l'outil. D'autres batteries pourraient exploser et provoquer des blessures et des dommages.
- ◆ Ne tentez jamais de recharger des piles non rechargeables.
- ◆ Faites immédiatement remplacer les cordons endommagés.
- ◆ N'exposez pas le chargeur à l'eau.
- ◆ N'ouvrez pas le chargeur.
- ◆ Ne sondez pas le chargeur.



Le chargeur est conçu pour être exclusivement utilisé à l'intérieur.



Lisez le manuel d'utilisation avant d'utiliser l'outil.

Sécurité électrique



Votre chargeur dispose d'une double isolation ; aucun fil de terre n'est donc nécessaire. Vérifiez toujours que la tension du réseau électrique correspond à la tension figurant sur la plaque signalétique. N'essayez jamais de remplacer l'unité du chargeur avec une prise secteur ordinaire.

- ◆ Si le câble d'alimentation est endommagé, il doit être remplacé par le fabricant ou par un centre de réparation agréé Stanley Fat Max afin d'éviter les risques éventuels.

Caractéristiques

Cet appareil présente tout ou partie des caractéristiques suivantes.

1. Interrupteur de déverrouillage
2. Gâchette

3. Poignée latérale
4. Dispositif de verrouillage de l'axe
5. Dispositif de protection de la meule
6. Disque de meulage
7. Batterie
8. Clé à double ergot

Figure A

9. Chargeur de batterie
10. Témoin de charge

Utilisation

Avertissement ! Laissez l'outil fonctionner à son propre rythme. Ne le poussez pas au-delà de sa limite.

- ◆ Soyez prêt à l'apparition d'un faisceau d'étincelles au moment où le disque à meuler ou à tronçonner touche la pièce à travailler.
- ◆ Placez toujours l'outil de manière à ce que la protection vous protège au maximum du disque de meulage ou de tronçonnage.

Charge de la batterie (figure A)

La batterie doit être chargée avant la première utilisation et chaque fois qu'elle n'apporte plus assez de puissance pour les travaux réalisés sans peine auparavant. La batterie peut chauffer pendant la charge. Ce phénomène est normal et n'indique pas un problème.

Avertissement ! Ne rechargez pas la batterie à une température ambiante inférieure à 10°C ou supérieure à 40°C. La température recommandée est d'environ 24°C.

Remarque : Le chargeur ne recharge pas la batterie si la température de la cellule est inférieure à environ 10°C ou supérieure à 40°C.

La batterie doit rester dans le chargeur qui démarre automatiquement la charge quand la température de la cellule augmente ou diminue.

- ◆ Pour charger la batterie (7), insérez-la dans le chargeur (9). Il n'y a qu'un moyen d'insérer la batterie dans le chargeur. Ne forcez pas. Assurez-vous que la batterie est complètement enclenchée dans le chargeur.
- ◆ Branchez le chargeur et mettez-le sous tension. Le témoin de charge (10) clignote. La charge est terminée quand le témoin de charge (10) reste allumé. Le chargeur et la batterie peuvent rester branchés en permanence. Le témoin s'allume lorsque le chargeur dépasse de temps en temps la charge de la batterie.
- ◆ Chargez les batteries déchargées dans un délai d'une semaine. La durée de vie de la batterie est considérablement diminuée si elle est stockée déchargée.

Laisser la batterie dans le chargeur

Le chargeur et le bloc-batterie peuvent rester raccordés avec le voyant allumé en continu. Le chargeur maintient le bloc-batterie complètement chargé.

Diagnostics du chargeur

Si le chargeur détecte un endommagement ou une usure de la batterie, le témoin de charge (10) clignote rapidement en rouge. Procédez comme suit :

- ◆ Réinsérez la batterie (7).
- ◆ Si les témoins de charge continuent de clignoter rapidement en rouge, utilisez une autre batterie pour déterminer si le processus de charge fonctionne correctement.
- ◆ Si la batterie de test se recharge correctement, cela indique que la batterie d'origine est défectueuse et qu'elle doit être renvoyée dans un centre d'assistance pour être recyclée.
- ◆ Si la nouvelle batterie signale le même problème, demandez à un centre de réparation agréé de tester le chargeur.

Remarque : La détection de la défaillance de la batterie peut prendre jusqu'à 30 minutes. Si la batterie est trop chaude ou trop froide, le témoin alterne un clignotement lent, puis un clignotement rapide en rouge et ainsi de suite.

Mise en marche et extinction

- ◆ Pour mettre l'outil en marche, glissez le bouton de déverrouillage (1) vers l'avant, puis appuyez sur la gâchette (2) et maintenez-le enfoncé.
- ◆ Pour éteindre l'outil, relâchez la gâchette (2).

Avertissement ! N'allumez et n'éteignez pas l'outil s'il est sous charge.

Avertissement ! Glissez toujours le bouton de déverrouillage (1) vers l'arrière en position verrouillée quand vous n'utilisez pas l'outil.

Conseils pour une utilisation optimale

- ◆ Maintenez fermement l'outil en plaçant une main autour de la poignée latérale et l'autre main autour de la poignée principale.

Meulage de surface avec des disques de meulage

- ◆ Laissez l'outil atteindre son plein régime avant de le mettre en contact avec la surface à travailler.
- ◆ N'appuyez qu'un minimum sur la surface à travailler et laissez l'outil fonctionner à grande vitesse. Les résultats du meulage sont meilleurs lorsque l'outil fonctionne à grande vitesse.
- ◆ Maintenez un angle de 20° à 30° entre l'outil et la surface à travailler.
- ◆ Déplacez continuellement l'outil vers l'avant et l'arrière pour éviter de créer des inégalités dans la surface à travailler.

- ◆ Soulevez l'outil de la surface à travailler avant de l'arrêter. Laissez l'outil s'arrêter complètement avant de le poser.

Meulage de bord avec des disques de meulage

Les disques utilisés pour la coupe ou le meulage de bord peuvent se briser ou rebondir s'ils sont pliés ou tordus pendant le travail de coupe ou de meulage en profondeur. Afin de minimiser les risques de blessure grave, limitez l'utilisation de ces disques avec une protection de type 27 standard pour effectuer des coupes et des encoches peu profondes (moins de 1/2» (13 mm) de profondeur). Le côté ouvert du carter doit être positionné du côté opposé à l'opérateur. Pour une coupe plus profonde avec une meule à tronçonner de type 1, utilisez le bon carter de type 1. Reportez-vous au tableau des accessoires de coupe et de meulage à la fin de la partie en langue française du manuel.

- ◆ Laissez l'outil atteindre son plein régime avant de le mettre en contact avec la surface à travailler.
- ◆ N'appuyez qu'un minimum sur la surface à travailler et laissez l'outil fonctionner à grande vitesse. Les résultats du meulage sont meilleurs lorsque l'outil fonctionne à grande vitesse.
- ◆ Placez-vous de sorte que le côté inférieur ouvert du disque soit à l'opposé de vous.
- ◆ Une fois la coupe commencée et qu'une encoche est pratiquée dans la pièce à travailler, ne modifiez plus l'angle de coupe. La modification de l'angle entraînera une courbure du disque qui pourrait rompre. Les meules pour les bords ne sont pas conçues pour supporter les pressions latérales causées par la courbure.
- ◆ Soulevez l'outil de la pièce à travailler avant de l'arrêter. Laissez l'outil s'arrêter complètement avant de le poser.

N'utilisez pas de meules pour le meulage/la coupe de bords pour les applications de meulage de surface, car ces meules ne sont pas conçues pour les pressions latérales impliquées dans le meulage de surface. Une rupture du disque et des blessures peuvent se produire.

Finition de surface avec des disques de ponçage

- ◆ Laissez l'outil atteindre son plein régime avant de le mettre en contact avec la surface à travailler.
- ◆ N'appuyez qu'un minimum sur la surface à travailler et laissez l'outil fonctionner à grande vitesse. Les résultats du ponçage sont meilleurs lorsque l'outil fonctionne à grande vitesse.
- ◆ Maintenez un angle de 5° à 10° entre l'outil et la surface à travailler.
- ◆ Déplacez continuellement l'outil vers l'avant et l'arrière pour éviter de créer des inégalités dans la surface à travailler.
- ◆ Soulevez l'outil de la surface à travailler avant de l'arrêter. Laissez l'outil s'arrêter complètement avant de le poser.

Utilisation de plateaux de ponçage

Choisissez les disques de ponçage au grain approprié à votre application. Les disques de ponçage sont disponibles en différents grains. Les grains plus grossiers permettent un retrait du matériau plus rapide et une finition plus brute.

Les grains plus fins permettent un retrait du matériau plus lent et une finition plus lisse.

Commencez avec les disques à grain grossier pour un retrait plus rapide et brut du matériau. Passez ensuite à un grain moyen et terminez avec un disque à grain fin pour une finition optimale.

- ◆ Grossier : grain 16 - 30
- ◆ Moyen : grain 36 - 80
- ◆ Finition fine : grain 100 - 120
- ◆ Finition ultra-fine : grain 150 - 180
- ◆ Laissez l'outil atteindre son plein régime avant de le mettre en contact avec la surface à travailler.
- ◆ N'appuyez qu'un minimum sur la surface à travailler et laissez l'outil fonctionner à grande vitesse. Les résultats du ponçage sont meilleurs lorsque l'outil fonctionne à grande vitesse.
- ◆ Maintenez un angle de 5° à 15° entre l'outil et la surface à travailler. Le disque de ponçage doit être en contact avec environ un pouce (25 mm) de la surface de travail.
- ◆ Déplacez l'outil en permanence en ligne droite pour éviter les brûlures et les rayures sur la surface à travailler. Si l'outil est posé au repos sur la surface de travail ou s'il est utilisé avec un mouvement circulaire, ces brûlures et des rayures peuvent se produire sur la surface de travail.
- ◆ Soulevez l'outil de la surface à travailler avant de l'arrêter. Laissez l'outil s'arrêter complètement avant de le poser.

Utilisation de brosses métalliques en forme de cloche ou de disques métalliques

Les brosses métalliques et brosses métalliques à mèches peuvent être utilisées pour éliminer la rouille, le calcaire et la peinture et pour lisser les surfaces irrégulières.

Remarque : Les précautions à prendre pour éliminer de la peinture avec une brosse métallique sont identiques à celles applicables au ponçage de la peinture.

- ◆ Laissez l'outil atteindre son plein régime avant de le mettre en contact avec la surface à travailler.
- ◆ N'appuyez qu'un minimum sur la surface à travailler et laissez l'outil fonctionner à grande vitesse. Le retrait du matériau est meilleur lorsque l'outil fonctionne à grande vitesse.
- ◆ Lorsque vous utilisez des brosses métalliques en forme de cloche, maintenez un angle de 5° à 10° entre l'outil et la surface à travailler.
- ◆ Maintenez le contact entre le bord du disque et la surface à travailler avec les brosses métalliques à mèches.
- ◆ Déplacez continuellement l'outil vers l'avant et l'arrière pour éviter de créer des inégalités dans la surface à

travailler. Si l'outil est posé au repos sur la surface de travail ou s'il est utilisé avec un mouvement circulaire, ces brûlures et des rayures peuvent se produire sur la surface de travail.

- ◆ Soulevez l'outil de la pièce à travailler avant de l'arrêter. Laissez l'outil s'arrêter complètement de tourner avant de le poser.
- Faites particulièrement attention lors du travail sur les bords, car un mouvement soudain de la meuleuse peut se produire.

Précautions à prendre pour éliminer de la peinture avec une brosse métallique ou par ponçage

- ◆ Le ponçage de peinture à base de plomb N'EST PAS RECOMMANDÉ en raison de la difficulté à contenir la poussière contaminée. Les enfants et les femmes enceintes courent le plus grand risque d'empoisonnement par le plomb.
- ◆ Étant donnée la difficulté à déterminer si une peinture contient ou non du plomb sans analyse chimique, nous recommandons les précautions suivantes lors du ponçage de toutes les peintures :

Sécurité des personnes

- ◆ Les enfants et les femmes enceintes ne doivent pas pénétrer dans la zone de travail lors du ponçage de peinture et tant que le nettoyage n'est pas terminé.
- ◆ Toutes les personnes pénétrant dans la zone de travail doivent porter un masque à poussière ou un appareil respiratoire. Le filtre doit être remplacé tous les jours ou dès que l'utilisateur a du mal à respirer.

Remarque : Seuls les masques appropriés pour le travail avec la poussière et les fumées de peinture au plomb doivent être utilisés. Les masques de peinture ordinaires n'offrent pas une telle protection. Consultez la quincaillerie la plus proche pour connaître les protections respiratoires appropriées.

- ◆ NE MANGEZ, NE BUVEZ et NE FUMEZ pas dans la zone de travail afin d'éviter d'ingérer des particules de peinture contaminées. Les utilisateurs doivent se laver et procéder au nettoyage AVANT de manger, de boire ou de fumer. Les aliments et les cigarettes ne doivent pas être laissés dans la zone de travail si la poussière peut s'y déposer.

Sécurité de l'environnement

- ◆ La peinture doit être retirée de manière à réduire au minimum la quantité de poussière générée.
- ◆ Les zones où le retrait de peinture a lieu doivent être scellées avec des bâches en plastique d'une épaisseur de 4 millimètres.
- ◆ Le ponçage doit être effectué de manière à réduire l'entraînement de poussière de peinture hors de la zone de travail.

Nettoyage et mise au rebut

- ◆ Toutes les surfaces de la zone de travail doivent être aspirées et nettoyées à fond, chaque jour et pendant toute la durée du travail de ponçage. Les sacs filtrants des aspirateurs doivent être remplacés fréquemment.
- ◆ Les protections en plastique doivent être rassemblées et mises au rebut, de même que les restes de poussière et autres débris. Elles doivent être placées dans des récipients étanches et jetées selon les procédures habituelles de collecte des déchets. Pendant le nettoyage, les enfants et les femmes enceintes doivent être tenus éloignés de la zone de travail.
- ◆ Tous les jouets, meubles lavables et ustensiles utilisés par les enfants doivent être lavés à fond avant de pouvoir être réutilisés.

Utilisation des disques de coupe

N'utilisez pas de meules pour le meulage/la coupe de bords pour les applications de meulage de surface, car ces meules ne sont pas conçues pour les pressions latérales impliquées dans le meulage de surface. Une rupture du disque et des blessures peuvent se produire.

- ◆ Laissez l'outil atteindre son plein régime avant de le mettre en contact avec la surface à travailler.
- ◆ N'appuyez qu'un minimum sur la surface à travailler et laissez l'outil fonctionner à grande vitesse. Les résultats du meulage sont meilleurs lorsque l'outil fonctionne à grande vitesse.
- ◆ Une fois la coupe commencée et qu'une encoche est pratiquée dans la pièce à travailler, ne modifiez plus l'angle de coupe. La modification de l'angle entraînera une courbure du disque qui pourrait rompre.
- ◆ Soulevez l'outil de la surface à travailler avant de l'arrêter. Laissez l'outil s'arrêter complètement de tourner avant de le poser.

Maintenance

Votre outil Stanley Fat Max a été conçu pour fonctionner pendant longtemps avec un minimum d'entretien. Le fonctionnement continu et satisfaisant de l'outil dépend de son entretien adéquat et de son nettoyage régulier.

Le chargeur ne nécessite aucun entretien particulier, à l'exception d'un nettoyage régulier.

Avertissement ! Avant toute intervention de maintenance sur des outils électriques avec ou sans fil :

- ◆ Éteignez l'appareil/l'outil et débranchez-le.
- ◆ Ou, éteignez l'appareil/l'outil et retirez en la batterie si celui-ci est muni d'un bloc-batterie séparé.
- ◆ Ou, déchargez complètement la batterie si elle est intégrée, puis éteignez l'appareil.

- ◆ Débranchez le chargeur avant de le nettoyer. Votre chargeur ne nécessite aucun entretien particulier, à l'exception d'un nettoyage régulier.
- ◆ Nettoyez régulièrement les fentes d'aération de votre appareil/outil/chargeur à l'aide d'une brosse souple ou d'un chiffon sec.
- ◆ Nettoyez régulièrement le carter moteur à l'aide d'un chiffon humide.
N'utilisez pas de détergents abrasifs ou à base de solvants.
- ◆ Ouvrez régulièrement le mandrin et retirez la poussière de l'intérieur en tapotant dessus (s'il est installé).

Protection de l'environnement



Tri sélectif. Les produits et batteries marqués de ce symbole ne doivent pas être jetés avec les déchets ménagers.

Les produits et batteries contiennent des matières qui peuvent être récupérées et recyclées afin de réduire la demande en matières premières. Veuillez recycler les produits électriques et les batteries conformément aux dispositions locales en vigueur. Plus d'informations sont disponibles sur le site www.2helpU.com.

Données techniques

FMC761 (H1)		
Tension	V _{DC}	18
Vitesse à vide	Min ⁻¹	9,000
Diamètre de disque	mm	125
Orifice du disque	mm	22
Épaisseur max. du disque		
disques de meulage	mm	6
disques à tronçonner	mm	3,5
Diamètre de l'axe	M14	
Longueur de l'axe (bride intérieure montée)	mm	14
Longueur de l'axe (bride intérieure non montée)	mm	19,5
Poids	kg	2,9

Chargeur	905998**	906086**
Tension d'entrée	V _{AC} 230	230
Tension de sortie	V _{DC} 18	18
Courant	A 1	2
Durée de charge approximative	min 90-240	45-120

Batterie	FMC685L	FMC687L	FMC688L
Tension	V _{AC} 18	18	18
Capacité	Ah 1,5	2,0	4,0
Type	Li-Ionen	Li-Ionen	Li-Ionen

Niveau de pression sonore selon la norme EN 60745 :	
Pression sonore (L _{pa})	80,5 dB(A), incertitude (K) 3 dB(A)
Puissance sonore (L _{wa})	91,5 dB(A), incertitude (K) 3 dB(A)

Valeurs totales des vibrations (somme vectorielle triaxiale) selon la norme EN 60745 :	
Meulage de surfaces (a _{h,eq})	3,9 m/s ² , incertitude (K) 1,5 m/s ²
Poissage (a _{h,eq})	2,0 m/s ² , incertitude (K) 1,5 m/s ²
Ponçage au disque (a _{h,eq})	4,5 m/s ² , incertitude (K) 1,5 m/s ²

Attention ! Les applications comme la découpe ou le broyage métallique peuvent avoir des émissions de vibrations différentes.

Déclaration de conformité CE

DIRECTIVES MACHINES



FMC761 - Meuleuse d'angle sans fil

Stanley Europe déclare que les produits décrits dans les « Caractéristiques techniques » sont conformes aux normes : EN60745-1:2009+A11:2010, EN60745-2-3:2011+A12:2014

Ces produits sont également conformes à la Directive 2006/42/EC, 2014/30/UE et 2011/65/UE.

Pour plus de détails, veuillez contacter Stanley Fat Max à l'adresse suivante ou reportez-vous au dos du manuel.

Le soussigné est responsable de la compilation du fichier technique et fait cette déclaration au nom de Stanley Fat Max.

R. Laverick

Directeur Ingénierie

Stanley Fat Max Europe, Egide Walschaertsstraat14-18,
2800 Mechelen, Belgique

01/10/2018

Garantie

Stanley Fat Max assure la qualité de ses produits et offre une garantie de 12 mois aux utilisateurs, à partir de la date d'achat. Cette garantie s'ajoute à vos droits légaux auxquels elle ne porte aucunement préjudice. Cette garantie est valable au sein des territoires des États membres de l'Union Européenne et au sein de la Zone européenne de libre-échange.

Pour prétendre à la garantie, la réclamation doit être en conformité avec les conditions générales de Stanley Fat Max et vous devez fournir une preuve d'achat au vendeur ou au réparateur agréé. Les conditions générales de la garantie de 1 an Stanley Fat Max ainsi que l'adresse du réparateur agréé le

plus proche sont disponibles sur le site Internet www.2helpU.com ou en contactant votre agence Stanley Fat Max locale à l'adresse indiquée dans ce manuel.

Accédez à notre site Internet www.stanley.eu/3 pour enregistrer votre nouveau produit Stanley Fat Max et être informé des nouveaux produits et des offres spéciales.

Uso previsto

La smerigliatrice angolare Stanley Fat Max FMC761 è stata progettata per smerigliare e tagliare il metallo e le murature usando il corretto tipo di disco di taglio o di smerigliatura. È necessario montare la protezione appropriata sull'utensile. Questo elettrotensile è stato progettato per uso professionale e privato e per utenti non professionisti.

Istruzioni di Sicurezza

Avvisi di sicurezza generici per gli elettrotensili



Avvertenza! Leggere tutti gli avvisi di sicurezza e le istruzioni. La mancata osservanza dei presenti avvisi e istruzioni potrebbe causare scosse elettriche, incendi e/o infortuni gravi.

Conservare tutti gli avvertimenti e le istruzioni per consultazioni future Il termine "elettrotensile" che ricorre in tutti gli avvisi seguenti si riferisce ad utensili elettrici con o senza filo.

1. Sicurezza nella zona di lavoro

- Mantenere pulita e bene illuminata l'area di lavoro.** Gli ambienti disordinati o scarsamente illuminati favoriscono gli incidenti.
- Evitare di usare gli elettrotensili in ambienti esposti a rischio di esplosione, ad esempio in presenza di liquidi, gas o polveri infiammabili.** Gli apparati elettrici creano scintille che possono incendiare le polveri o i fumi.

- Tenere lontani bambini e astanti mentre si usa un elettrotensile.** Le distrazioni possono provocare la perdita di controllo.

2. Sicurezza elettrica

- Le spine elettriche degli elettrotensili devono essere adatte alla presa. Non modificare la spina in alcun modo. Non collegare un adattatore alla spina di un apparato elettrico dotato di scarico a terra.** Per ridurre il rischio di scossa elettrica evitare di modificare le spine e utilizzare sempre le prese appropriate.
- Evitare il contatto fisico con superfici collegate a terra, tipo tubi, radiatori, forni e frigoriferi.** Se il proprio corpo è collegato con la terra, il rischio di scossa elettrica aumenta.
- Custodire gli elettrotensili al riparo dalla pioggia o dall'umidità.** Se l'acqua entra nell'apparato elettrico aumenta il rischio di scossa elettrica.
- Non utilizzare il cavo in modo improprio. Non utilizzare mai il cavo per spostare, tirare o scollegare l'apparato elettrico. Tenere il cavo elettrico lontano da fonti di calore, olio, bordi taglienti o parti in movimento.** Se il cavo è danneggiato o impigliato, il rischio di scossa elettrica aumenta.
- Se l'elettrotensile viene adoperato all'aperto, usare esclusivamente prolunghie omologate per l'impiego all'esterno.** L'uso di un cavo elettrico adatto ad ambienti esterni riduce il rischio di scossa elettrica.
- Se non è possibile evitare di lavorare in una zona umida, usare un'alimentazione elettrica protetta da un dispositivo a corrente residua (RCD).** L'uso di un interruttore differenziale riduce il rischio di scossa elettrica.

3. Sicurezza delle persone

- È importante concentrarsi su ciò che si sta facendo e maneggiare con giudizio l'elettrotensile. Non utilizzare l'apparato elettrico quando si è stanchi o sotto l'effetto di droghe, alcool o medicinali.** Un solo attimo di distrazione durante l'uso di tali apparati potrebbe provocare gravi lesioni personali
- Usare l'equipaggiamento di protezione personale. Utilizzare sempre protezioni oculari.** L'uso di abbigliamento di protezione quali mascherine antipolvere, scarpe antinfortunistiche antiscivolo, caschi di sicurezza o protezioni uditive, in condizioni opportune consente di ridurre le lesioni personali.
- Impedire l'avviamento involontario. Accertarsi che l'interruttore di accensione sia regolato su spento prima di collegare l'elettrotensile all'alimentazione elettrica e/o al battery pack, di prenderlo in mano o di trasportarlo.**

Il trasporto di apparati elettrici tenendo il dito sull'interruttore o quando sono collegati alla rete elettrica con l'interruttore nella posizione di accesso provoca incidenti.

- d. **Prima di accendere un elettrotensile, togliere eventuali utensili o chiavi di regolazione.** Un utensile di regolazione o una chiave fissati su una parte rotante dell'apparato elettrico possono provocare lesioni personali.
- e. **Non sbilanciarsi. Mantenere sempre un appoggio ed equilibrio adeguati.** Ciò consente un migliore controllo dell'apparato nelle situazioni impreviste.
- f. **Vestirsi adeguatamente. Non indossare abiti lenti o gioielli. Tenere i capelli, i vestiti e i guanti lontano dalle parti mobili.** Abiti larghi, gioielli o capelli lunghi possono impigliarsi nelle parti in movimento.
- g. **Se gli elettrotensili sono provvisti di attacchi per il collegamento di dispositivi di aspirazione o di raccolta della polvere, assicurarsi che questi siano installati e utilizzati correttamente.** La raccolta delle polveri può ridurre i pericoli legati a queste ultime.
4. **Uso e cura degli elettrotensili**
- a. **Non sovraccaricare l'elettrotensile. Utilizzare un apparato adatto al lavoro da eseguire.** L'apparato lavora meglio e con maggior sicurezza se utilizzato secondo quanto è stato previsto.
- b. **Non utilizzare elettrotensili con interruttori difettosi.** Qualsiasi apparato elettrico che non possa essere controllato tramite l'interruttore è pericoloso e deve essere riparato.
- c. **Scollegare la spina dalla presa di corrente e/o il battery pack dall'elettrotensile prima di regolarlo, sostituirne gli accessori o di riporlo.** Queste misure di sicurezza preventive riducono il rischio di azionare l'apparato accidentalmente.
- d. **Quando non vengono usati, gli elettrotensili devono essere custoditi fuori dalla portata dei bambini. Non consentire l'uso dell'elettrotensile a persone inesperte o che non abbiano letto le presenti istruzioni.** Gli apparati elettrici sono pericolosi in mano a persone inesperte.
- e. **Sottoporre gli elettrotensili a regolare manutenzione. Verificare che le parti mobili siano bene allineate e non inceppate, che non vi siano componenti rotti e che non sussistano altre condizioni che possono compromettere il funzionamento dell'elettrotensile. Se danneggiato, far riparare l'apparato elettrico prima dell'uso.** Molti incidenti sono provocati da apparati elettrici su cui non è stata effettuata la corretta manutenzione.
- f. **Mantenere affilati e puliti gli utensili da taglio.** La manutenzione corretta degli utensili da taglio con bordi

affilati riduce le probabilità di inceppamento e ne facilita il controllo.

- g. **Utilizzare l'elettrotensile, gli accessori e le punte in conformità alle presenti istruzioni, tenendo conto delle condizioni di lavoro e del lavoro da completare.** L'utilizzo dell'apparato elettrico per impieghi diversi da quelli previsti può provocare situazioni di pericolo.
5. **Uso e cura degli apparati a batteria**
- a. **Ricaricare solo usando l'alimentatore prescritto dal fabbricante.** Un caricabatteria adatto per un tipo di gruppo batterie può esporre al rischio d'incendio se usato con pacco batteria diverso.
- b. **Usare gli elettrotensili con gli appositi battery pack.** L'impiego di battery pack di altro tipo potrebbe creare il rischio di lesioni e di incendi.
- c. **Quando il battery pack non viene usato, tenerlo lontano da altri oggetti metallici tipo graffette, monete, chiavi, chiodi, viti o altri oggetti metallici di piccole dimensioni, che potrebbero cortocircuitare un morsetto con l'altro.** Se i morsetti della batteria vengono cortocircuitati si potrebbero causare ustioni o un incendio.
- d. **In condizioni di sovraccarico, le batterie possono perdere liquido: evitare di toccarlo. In caso di contatto accidentale, sciacquare con acqua. Se il liquido entra a contatto con gli occhi, consultare un medico.** Il liquido che fuoriesce dalla batteria può causare irritazioni o ustioni.
6. **Assistenza**
- a. **Fare riparare l'elettrotensile esclusivamente da personale specializzato e solo usando pezzi di ricambio originali.** In questo modo viene garantita la sicurezza dell'apparato elettrico.

Altri avvisi di sicurezza per gli elettrotensili



Avvertenza! Altri di avvisi di sicurezza per le operazioni di smerigliatura, levigatura, spazzolatura con spazzola di acciaio, lucidatura o di taglio con abrasivo.

- ◆ **Questo elettrotensile è stato progettato per funzionare come smerigliatrice, levigatrice, spazzola in acciaio, lucidatrice o utensile da taglio. Leggere attentamente tutte le avvertenze, istruzioni, illustrazioni e specifiche fornite con l'apparato.** La mancata osservanza delle istruzioni seguenti può dar luogo a scossa elettrica, incendio e/o lesioni gravi.
- ◆ **L'esecuzione di lavorazioni per le quali l'apparato non è stato progettato comporta dei rischi e può causare lesioni personali.**

- ◆ **Non usare accessori che non sono stati progettati e consigliati in modo specifico dal fabbricante dell'elettrotensile.** Anche se un accessorio può essere collegato all'apparato, ciò non ne garantisce la sicurezza di utilizzo.
- ◆ **La velocità nominale dell'accessorio deve essere almeno pari a quella massima riportata sull'elettrotensile.** Gli accessori fatti funzionare a una velocità superiore rispetto a quella nominale possono rompersi e disintegrarsi.
- ◆ **Il diametro esterno e lo spessore dell'accessorio devono rientrare nel valore della capacità nominale dell'elettrotensile.** Gli accessori di misura sbagliata non possono essere protetti o controllati in modo adeguato.
- ◆ **L'attacco filettato degli accessori deve corrispondere alla filettatura dell'alberino della smerigliatrice. Per gli accessori montati tramite flange, il foro dell'albero dell'accessorio deve corrispondere al diametro di posizionamento della flangia.** Gli accessori che non corrispondono alla struttura di montaggio dell'apparato non mantengono l'equilibrio, vibrano eccessivamente e possono causare la perdita di controllo.
- ◆ **Non utilizzare accessori danneggiati. Prima di ogni utilizzo controllare gli accessori affinché sui dischi abrasivi non vi siano scheggiature e lesioni, non siano presenti crepe o segni eccessivi di usura sul platorello, che le spazzole metalliche non abbiano filamenti metallici staccati o spezzati. Se l'apparato o l'accessorio è caduto, verificare eventuali danni o installare un accessorio non danneggiato. Dopo aver ispezionato o installato un accessorio, verificare che l'operatore e le altre persone siano lontane dal piano dell'accessorio rotante e far girare l'apparato a vuoto alla massima velocità per un minuto.** Gli accessori danneggiati normalmente si rompono durante questa fase di verifica.
- ◆ **Indossare abbigliamento di protezione adeguato. A seconda delle lavorazioni, utilizzare una maschera o occhiali di protezione. Se opportuno, indossare una mascherina antipolvere, protezioni acustiche, guanti e un grembiule da lavoro in grado di arrestare frammenti abrasivi o di lavorazione di piccole dimensioni.** La protezione oculare deve impedire a detriti volanti generati dalle varie lavorazioni di raggiungere gli occhi. La mascherina antipolvere o il respiratore devono essere in grado di filtrare le particelle generate dall'operazione eseguita. L'esposizione prolungata a rumori di alta intensità può causare la perdita dell'udito.
- ◆ **Mantenere gli osservatori a una distanza di sicurezza dall'area di lavoro. Chiunque acceda alla zona di lavoro deve indossare abbigliamento di protezione adeguato.** Frammenti del pezzo da lavorare o di un accessorio rotto possono volare via e causare lesioni al di là dell'immediata area di lavoro.

- ◆ **Sostenere l'apparato con supporti aventi superfici isolanti quando si eseguono lavorazioni in cui la parte tagliente potrebbe toccare cavi elettrici nascosti o il cavo di alimentazione dell'accessorio di taglio.** Gli accessori da taglio che vengono a contatto con un cavo sotto tensione trasmettono la corrente elettrica anche alle parti metalliche esposte dell'apparato e possono provocare la folgorazione dell'operatore.
 - ◆ **Posizionare il filo di alimentazione lontano dall'accessorio rotante.** In caso di perdita di controllo, il cavo può essere tagliato o impigliato e potrebbe avere una forza tale da trascinare la mano o il braccio dell'operatore verso l'accessorio rotante.
 - ◆ **Non appoggiare mai un elettrotensile prima che sia totalmente fermato.** L'accessorio rotante potrebbe fare presa sulla superficie e trascinare l'apparato facendone perdere il controllo.
 - ◆ **Non far funzionare l'elettrotensile mentre lo si trasporta tenendolo lungo il fianco.** Un contatto accidentale con l'accessorio rotante può farlo impigliare ai vestiti e trascinarlo verso il corpo dell'operatore.
 - ◆ **Pulire regolarmente gli sfati dell'aria dell'elettrotensile.** La ventola del motore può attirare la polvere all'interno dell'alloggiamento e l'accumulo eccessivo di metallo polverizzato può causare pericoli elettrici.
 - ◆ **Non far funzionare l'elettrotensile nelle vicinanze di materiali infiammabili.** Le scintille possono far prendere fuoco ai materiali.
 - ◆ **Non usare accessori che richiedono l'uso di liquidi refrigeranti.** L'utilizzo di acqua o altri liquidi refrigeranti può provocare elettrocuzione o scosse elettriche.
- Nota:** Il suddetto avviso non è inteso per gli elettrotensili progettati in modo specifico per essere usati con un impianto a base di liquido.

Contraccolpi e avvisi in merito

Il rimbalzo è una reazione improvvisa provocata da mole, platorelli, spazzole o qualsiasi altro accessorio in rotazione che rimanga pinzato o impigliato. L'inceppamento o l'incastro causano il bloccaggio rapido dell'accessorio rotante, che a sua volta spinge l'elettrotensile, non più controllato, in direzione opposta a quella di rotazione dell'accessorio nel punto in cui era rimasto inceppato.

Ad esempio, se un disco abrasivo è impigliato o pinzato dal pezzo da lavorare, il bordo della mola penetrato nel punto pinzato può scavare nel materiale e causare lo scavalamento o il rimbalzo della mola. Il disco potrebbe saltare verso l'operatore, o dalla parte opposta, a seconda della direzione del movimento del disco nel punto di inceppamento. In queste condizioni è possibile che i dischi abrasivi si spezzino.

Un contraccolpo è la conseguenza di un utilizzo non appropriato oppure non corretto dell'elettrotensile. Esso può essere evitato soltanto adottando le misure di sicurezza idonee come descritto di seguito.

- ◆ **Mantenere una presa salda sull'elettrotensile e posizionare il corpo e il braccio in un modo tale da poter resistere alle forze del contraccolpo. Usare sempre l'impugnatura ausiliaria, se presente, per avere il massimo controllo in caso di contraccolpi o di reazione di coppia all'avviamento.** L'operatore è in grado di resistere alla forza esercitata da eventuali reazioni di coppia o contraccolpi se adotta le misure del caso.
- ◆ **Non appoggiare mai la mano vicino all'accessorio rotante.** L'accessorio potrebbe rimbalzare sulle mani dell'operatore.
- ◆ **Non posizionare il corpo nella zona verso la quale l'elettrotensile potrebbe spostarsi in caso di contraccolpo.** Il contraccolpo potrebbe lanciare l'elettrotensile nella direzione opposta a quella di rotazione del disco nel momento in cui si incastra.
- ◆ **Prestare particolare quando si lavora negli angoli, su bordi aguzzi e così via, evitando di far saltellare e di incastrare l'accessorio.** Angoli, estremità appuntite o rimbalzi tendono a fare impigliare l'accessorio rotante e a causare la perdita di controllo o il rimbalzo dell'apparato.
- ◆ **Non montare una catena da sega, una lama da intaglio o una lama di sega dentata.** Queste lame creano rimbalzi e perdita di controllo frequenti.

Avvisi di sicurezza specifici per le operazioni di smerigliatura e di taglio con abrasivo:

- ◆ **Usare solo dischi di tipo consigliato per l'elettrotensile in oggetto e protezioni anch'esse progettate in modo specifico per il disco selezionato.** Le mole non omologate per quell'apparato non possono essere protette adeguatamente e non sono sicure.
- ◆ **La superficie di smerigliatura dei dischi con centro concavo deve essere montata al di sotto del piano del labbro della protezione.** Non è possibile fornire una protezione adeguata a una mola non montata correttamente che sporge attraverso il piano della linguetta di protezione.
- ◆ **La protezione deve essere fissata saldamente all'apparato e posizionata per la massima sicurezza, in modo che la mola sporga il meno possibile verso l'operatore.** La protezione aiuta a proteggere l'operatore dai frammenti di un disco che si spezza, dal contatto accidentale con lo stesso e da eventuali scintille che potrebbero incendiare l'abbigliamento.
- ◆ **I dischi devono essere usati solo per le applicazioni consigliate. Per esempio: non molare con il fianco di una mola da taglio.** Le mole da taglio abrasivo sono progettate per la smerigliatura periferica. Forze laterali

applicate a queste mole possono causarne la frantumazione.

- ◆ **Usare sempre flange di dischi non danneggiate che sono di misura e forma corrette per il disco selezionato.** Delle flange corrette sorreggono il disco riducendo in tal modo la possibilità di rottura dello stesso. Le flange per dischi da taglio possono differire dalle flange per dischi abrasivi.
- ◆ **Non usare dischi usurati che erano appartenuti a elettrotensili di maggiori dimensioni.** Le mole progettate per apparati più potenti non sono adatte alle maggiori velocità degli apparati più piccoli e si possono spaccare.

Adizionali avvisi di sicurezza specifici per le operazioni di taglio con abrasivo

- ◆ **Non inceppare il disco di taglio e non esercitare una pressione eccessiva. Non provare a fare tagli troppo profondi.** Una sollecitazione eccessiva del disco aumenta il carico e la suscettibilità del disco stesso a piegarsi o a incepparsi nel taglio con la possibilità di contraccolpi o di rottura del disco.
- ◆ **Non posizionare il corpo in linea con il disco rotante e neppure dietro di esso.** Quando la mola si muove nella direzione di allontanamento dal corpo, il possibile rimbalzo può spingere la mola in rotazione e l'apparato proprio verso di se.
- ◆ **Se il disco si inceppa, oppure quando, per una qualsiasi ragione, si interrompe l'operazione di taglio, spegnere l'elettrotensile e tenerlo fermo nel pezzo fino a quando il disco si arresta del tutto. Non tentare mai di rimuovere il disco da taglio mentre la mola è in movimento, altrimenti può rimbalzare.** Esaminare e prendere azioni correttive per eliminare le cause che inceppano la lama.
- ◆ **Non riprendere l'operazione di taglio nel pezzo. Far raggiungere la massima velocità alla mola e poi rientrare con attenzione nel taglio.** La mola può incepparsi, scavalcare o rimbalzare se l'apparato elettrico viene riavviato quando ancora è dentro al pezzo in lavorazione.
- ◆ **Sorreggere i pannelli o i pezzi di grandi dimensioni per contenere al massimo il rischio che il disco si inceppi e causi un contraccolpo.** I pezzi più grandi tendono a incurvarsi sotto il loro stesso peso. Devono essere collocati dei supporti sotto al pezzo da entrambi i lati, vicino la linea di taglio e alle estremità del pannello, da entrambi i lati della mola.
- ◆ **Prestare una maggiore attenzione quando si pratica un "taglio di cavità" in pareti esistenti o in altre zone con scarsa visibilità.** La parte sporgente della mola può tagliare tubi del gas o dell'acqua, cavi elettrici o anche oggetti che possono provocare il rimbalzo.

Avvisi di sicurezza specifici per la levigatura

- ◆ **Non usare dischi di levigatura di dimensioni maggiori. Seguire i consigli del fabbricante quando si sceglie la carta vetrata.** Una carta vetrata che sporga oltre il plattello di sabbiatura presenta il rischio di lacerazioni e può restare impigliata, strappare il disco o rimbalzare.

Avvisi di sicurezza specifici per la lucidatura

- ◆ **Non lasciare che né le parti allentate della cuffia di lucidatura né le cordicelle di fissaggio girino liberamente. Riavvolgere o tagliare eventuali cordicelle di fissaggio pendenti.** Le cordicelle pendenti o rotanti possono intrappolare le dita dell'operatore o impigliarsi sul pezzo da lavorare.

Avvisi di sicurezza specifici per l'impiego della spazzola in acciaio

- ◆ **Essere consapevoli del fatto che la spazzola potrebbe far volare via i fili in acciaio perfino durante il funzionamento normale. Non sforzare le setole con un eccessivo carico sulle spazzole.** Le setole metalliche penetrano facilmente gli abiti leggeri e/o la pelle.
- ◆ **Se è consigliato l'uso di una protezione per la spazzolatura con spazzola in acciaio, non lasciare che la spazzola o il disco in acciaio vengano a contatto della protezione.** Il diametro del disco o della spazzola in acciaio potrebbe aumentare a causa del carico di lavoro e delle forze centrifughe.



Avvertenza! Il contatto o l'inalazione della polvere generata dalla levigatura potrebbe nuocere alla salute dell'operatore e di eventuali astanti. Indossare una mascherina antipolvere specifica per polveri e fumi e controllare che anche le persone presenti o in arrivo nella zona di lavoro siano adeguatamente protette.

Sicurezza altrui

- ◆ Questo elettrotensile può essere usato da bambini dagli 8 anni in su e da persone portatrici di handicap fisici, psichici o sensoriali o che non abbiano la dovuta esperienza o conoscenza, sempre che siano seguite o opportunamente istruite sull'uso sicuro e comprendano i pericoli inerenti.
- ◆ I bambini non devono giocare con l'elettrodomestico. Gli interventi di pulizia e di manutenzione da parte dell'utente non devono essere eseguiti da bambini senza supervisione.

Rischi residui

L'utilizzo dell'apparecchio può comportare altri rischi non contemplati negli avvisi di sicurezza qui riportati. Tali rischi possono sorgere a seguito di un uso prolungato o improprio, ecc.

Pur osservando le norme di sicurezza e utilizzando dispositivi di protezione adeguati, certi rischi non possono essere evitati. Sono inclusi:

- ◆ Lesioni causate o subite a seguito del contatto con parti rotanti/in movimento.
- ◆ Lesioni causate o subite durante la sostituzione di parti, lame o accessori.
- ◆ Lesioni causate dall'impiego prolungato di un elettrotensile. Quando si usa qualsiasi apparecchio per lunghi periodi, accertarsi di fare regolarmente delle pause.
- ◆ Menomazioni uditive.
- ◆ Rischi per la salute causati dall'aspirazione di polvere generata dall'utilizzo dell'elettrotensile (ad esempio quando si lavora con il legno, in modo particolare quello di quercia, faggio o l'MDF.)

Vibrazioni

I valori dichiarati delle emissioni di vibrazioni, indicati nei dati tecnici e nella dichiarazione di conformità del presente manuale, sono stati misurati in base al metodo di test standard previsto dalla normativa EN60745 e possono essere usati come paragone tra un attrezzo e un altro. Il valore delle emissioni di vibrazioni dichiarato può anche essere usato come valutazione preliminare dell'esposizione.

Avvertenza! Il valore delle emissioni di vibrazioni durante l'impiego effettivo dell'elettrotensile può variare da quello dichiarato a seconda delle modalità d'uso. Il livello delle vibrazioni può aumentare oltre quello dichiarato.

Quando si valuta l'esposizione alle vibrazioni per determinare le misure di sicurezza richieste dalla normativa 2002/44/CE destinata alla protezione delle persone che usano regolarmente gli elettrotensili nello svolgimento delle proprie mansioni, è necessario prendere in considerazione le condizioni effettive di utilizzo e il modo in cui l'utensile è usato, oltre a tenere in conto tutte le componenti del ciclo operativo, vale a dire i periodi in cui l'elettrotensile è spento, quelli in cui è acceso ma a riposo e quelli in cui è effettivamente utilizzato.

Etichette sull'apparato

Sull'elettrotensile sono presenti i seguenti simboli assieme al codice data:



Avvertenza! Per ridurre il rischio di infortuni, l'utente deve leggere il manuale d'uso.



Avvertenza! Per ridurre il rischio di infortuni, l'utente deve leggere il manuale d'uso.



Indossare otoprotezioni quando si usa l'elettrotensile.

Istruzioni di sicurezza aggiuntive per batterie e caricabatterie

Batterie

- ◆ Non tentare mai di aprire le batterie per qualsiasi motivo.
- ◆ Non lasciare che le batterie si bagnino.
- ◆ Non riporre in luoghi dove la temperatura potrebbe superare 40°C.
- ◆ Caricare solo a temperature ambiente tra 10 °C e 40 °C.
- ◆ Caricare solo usando il caricabatteria fornito con l'elettrotensile.
- ◆ Per lo smaltimento delle batterie, seguire le istruzioni fornite alla sezione "Protezione dell'ambiente".



Non tentare di caricare delle batterie danneggiate.

Caricabatterie

- ◆ Usare il caricabatteria Stanley Fat Max solo per caricare la batteria dell'apparecchio con il quale è stato fornito. Altre batterie potrebbero scoppiare causando lesioni alle persone e danni alle cose.
- ◆ Non tentare mai di caricare batterie non ricaricabili.
- ◆ Fare sostituire immediatamente i fili di alimentazione difettosi.
- ◆ Non lasciare che il caricabatteria si bagni.
- ◆ Non aprire il caricabatteria.
- ◆ Non collegare il caricabatteria a sonde.



Non tentare di caricare delle batterie danneggiate.



Leggere il presente manuale d'uso prima dell'impiego.

Sicurezza elettrica



Il doppio isolamento di cui è provvisto il caricabatteria rende superfluo il filo di terra. Controllare sempre che la tensione di rete corrisponda a quella indicata sulla targhetta dei dati tecnici. Non tentare mai di sostituire il caricabatteria con una normale spina elettrica.

- ◆ In caso di danneggiamento del filo di alimentazione, è necessario farlo riparare dal fabbricante o presso un centro assistenza Stanley Fat Max autorizzato in modo da evitare eventuali pericoli.

Caratteristiche

Questo apparecchio presenta alcune o tutte le seguenti caratteristiche.

1. Interruttore di sicurezza
2. Interruttore di azionamento

3. Impugnatura laterale
4. Blocco dell'alberino
5. Protezione per smerigliatura
6. Disco di smerigliatura
7. Batteria
8. Chiave a due perni

fig. A

9. Caricabatteria
10. Indicatore di carica

Utilizzo

Avvertenza! Lasciare che l'elettrotensile funzioni al suo ritmo. Non sovraccaricarlo.

- ◆ Aspettarsi tutta una serie di scintille quando il disco di smerigliatura o di taglio tocca il pezzo.
- ◆ Posizionare sempre l'elettrotensile affinché la protezione possa proteggere in modo ottimale dal disco di smerigliatura o di taglio.

Carica della batteria (fig. A)

La batteria deve essere caricata prima dell'impiego iniziale e quando non eroga una potenza sufficiente per lavori che prima era possibile eseguire facilmente. Durante la carica, la batteria potrebbe riscaldarsi. Si tratta di un fatto normale che non indica che vi è un problema.

Avvertenza! Non ricaricare la batteria a temperature ambientali inferiori a 10°C o superiori a 40°C. La temperatura di ricarica consigliata è di circa 24°C.

Nota: Il caricabatteria non carica una batteria se la temperatura della cella è inferiore a 10 °C o superiore a 40 °C. La batteria deve essere lasciata nel caricabatteria, che incomincerà a caricare automaticamente quando la temperatura della cella aumenta o diminuisce.

- ◆ Per caricare la batteria (7), inserirla nel caricabatteria (9). La batteria può essere inserita nel caricabatteria solo in un verso. Non forzare. Accertarsi che la batteria sia completamente insediata nel caricabatteria.
- ◆ Collegare il caricabatteria alla presa di corrente.

L'indicatore di carica (10) lampeggia.

La carica è completa quando l'indicatore di carica (10) rimane acceso di continuo. Il caricabatteria e la batteria possono essere lasciati collegati indefinitamente alla presa di corrente. Il LED si accende quando il caricabatteria di tanto in tanto rabbocca la carica della batteria.

- ◆ Caricare le batterie scariche entro 1 settimana. La durata delle batterie diminuisce parecchio se sono conservate scariche.

Batteria lasciata nel caricabatteria

Il caricabatteria e il pacco batteria possono essere lasciati collegati con il LED sempre acceso. Il caricabatteria manterrà il pacco batteria come nuovo e completamente carico.

Diagnostica del caricabatteria

Se il caricabatteria rileva che la batteria è debole o danneggiata, fa lampeggiare velocemente in rosso l'indicatore di carica (10). Procedere nel modo seguente:

- ◆ Inserire di nuovo la batteria (7).
- ◆ Se gli indicatori di carica continuano a lampeggiare in rosso a un ritmo veloce, usare una batteria diversa per determinare se il ciclo di carica funziona correttamente.
- ◆ Se la batteria di ricambio si carica correttamente, significa che quella originale è difettosa e che deve essere spedita a un centro di assistenza per essere riciclata.
- ◆ Se anche con la nuova batteria si ottengono i medesimi risultati dati da quella vecchia, portare il caricatore presso un centro di assistenza autorizzato per essere sottoposto a controllo.

Nota: possono occorrere anche 30 minuti per determinare se la batteria è difettosa. Se la batteria è troppo calda o troppo fredda, il LED lampeggia alternamente in rosso a un ritmo veloce e lento con un lampeggio veloce e uno lento ripetuti nel tempo.

Accensione e spegnimento

- ◆ Per accendere l'elettrotensile, far scorrere l'interruttore di sicurezza (1) in avanti e premere e tenere premuto l'interruttore a grilletto (2).
- ◆ Per spegnere l'elettrotensile, rilasciare l'interruttore a grilletto (2).

Avvertenza! Non accendere o spegnere l'elettrotensile quando è sotto carico.

Avvertenza! Quando l'elettrotensile non è utilizzato, far sempre scorrere l'interruttore di sicurezza (1) all'indietro, nella posizione di bloccaggio.

Consigli per un utilizzo ottimale

- ◆ Tenere saldamente l'elettrotensile con una mano sull'impugnatura laterale e l'altra su quella principale.

Smerigliatura superficiale con i dischi per smerigliatura

- ◆ Far raggiungere la massima velocità all'apparato prima di toccare la superficie da lavorare.
- ◆ Applicare una minima pressione alla superficie di lavoro, lasciando funzionare l'apparato a velocità elevata. La velocità di smerigliatura è al massimo quando l'apparato funziona ad alta velocità.
- ◆ Mantenere un angolo di 20° - 30° tra l'elettrotensile e la superficie di lavoro.

- ◆ Spostare continuamente l'elettrotensile avanti e indietro per evitare la formazione di irregolarità nella superficie di lavoro.
- ◆ Rimuovere l'apparato dalla superficie da lavorare prima di spegnerlo. Attendere che la rotazione dell'apparato sia terminata prima di appoggiarlo.

Smerigliatura dei bordi con i dischi per smerigliatura

I dischi usati per il taglio e la smerigliatura dei bordi potrebbero rompersi o dare dei contraccolpi se si piegano o ruotano durante il taglio o la smerigliatura in profondità. Per ridurre il rischio di lesioni gravi, limitare l'impiego di questi dischi usando una protezione di serie Tipo 27 per il taglio poco profondo e gli intagli (di profondità inferiore a 1/2" (13 mm)). Il lato aperto della protezione deve essere posizionato lontano dall'operatore. Per un taglio di maggiore profondità con una mola di taglio di Tipo 1, utilizzare una protezione chiusa di Tipo 1. Consultare la Tabella degli accessori di smerigliatura e taglio che si trova alla fine di questo capitolo.

- ◆ Far raggiungere la massima velocità all'apparato prima di toccare la superficie da lavorare.
- ◆ Applicare una minima pressione alla superficie di lavoro, lasciando funzionare l'apparato a velocità elevata. La velocità di smerigliatura è al massimo quando l'apparato funziona ad alta velocità.
- ◆ Posizionarsi in modo che il lato inferiore aperto della mola non sia rivolto verso di sé.
- ◆ Una volta che si è iniziato un taglio e creato un intaglio nel pezzo, non cambiare l'angolazione del taglio. Un cambio dell'angolazione di taglio potrebbe far piegare la mola causandone la rottura.
- ◆ Le mole per la smerigliatura dei bordi non sono progettate per resistere alle pressioni laterali causate dalla piegatura.
- ◆ Rimuovere l'apparato dalla superficie da lavorare prima di spegnerlo. Attendere che la rotazione dell'apparato sia terminata prima di appoggiarlo.

non usare le mole per la smerigliatura dei bordi/mole da taglio per le applicazioni di smerigliatura in superficie poiché queste mole non sono progettate per le pressioni laterali riscontrate con la smerigliatura in superficie. Si potrebbero causare la rottura della mola e lesioni.

Finitura delle superficie con dischi per levigatura

- ◆ Far raggiungere la massima velocità all'apparato prima di toccare la superficie da lavorare.
- ◆ Applicare una minima pressione alla superficie di lavoro, lasciando funzionare l'apparato a velocità elevata. La velocità di sabbatura è al massimo quando l'apparato funziona ad alta velocità.
- ◆ Mantenere un angolo di 5° - 10° tra l'elettrotensile e la superficie di lavoro.

- ◆ Spostare continuamente l'elettrotensile avanti e indietro per evitare la formazione di irregolarità nella superficie di lavoro.
- ◆ Rimuovere l'apparato dalla superficie da lavorare prima di spegnerlo. Attendere che la rotazione dell'apparato sia terminata prima di appoggiarlo.

Impiego dei tamponi di rinforzo per la levigatura

Scegliere dischi di sabbatura con una grana adatta alla propria applicazione. I dischi di sabbatura sono disponibili in varie grane. Le grane più grosse hanno una velocità di rimozione del materiale superiore e una finitura più grezza.

Le grane più fini hanno una velocità di rimozione del materiale inferiore e una finitura più uniforme.

Iniziare con i dischi a grana grossa per una rapida rimozione grezza del materiale. Passare a un disco a grana media e finire con un disco a grana sottile per una finitura ottimale.

- ◆ Grana grossa 16 - 30
- ◆ Grana media 36 - 80
- ◆ Grana di finitura fine 100 - 120
- ◆ Grana di finitura fine 150 - 180
- ◆ Far raggiungere la massima velocità all'apparato prima di toccare la superficie da lavorare.
- ◆ Applicare una minima pressione alla superficie di lavoro, lasciando funzionare l'apparato a velocità elevata. La velocità di sabbatura è al massimo quando l'apparato funziona ad alta velocità.
- ◆ Mantenere un angolo di 5° - 15° tra l'elettrotensile e la superficie di lavoro. Il disco di levigatura dovrebbe fare contatto con un pollice (25 mm) circa della superficie di lavoro.
- ◆ Spostare l'apparato costantemente in linea retta per impedire lasciare segni di bruciatura e impronte circolari sulla superficie di lavoro. Se l'apparato viene lasciato appoggiato sulla superficie di lavoro senza spostarlo, o se si sposta l'apparato con un movimento circolare, è possibile lasciare segni di bruciatura e impronte circolari sulla superficie di lavoro.
- ◆ Rimuovere l'apparato dalla superficie da lavorare prima di spegnerlo. Attendere che la rotazione dell'apparato sia terminata prima di appoggiarlo.

Impiego delle spazzole a tazza e di quelle rotonde in acciaio

Le mole a spazzola e le spazzole vengono utilizzate per la rimozione di ruggine, incrostazioni e vernice, e per levigare le superfici irregolari.

Nota: durante la sverniciatura con spazzola in acciaio, adottare le medesime precauzioni osservate per la levigatura della vernice.

- ◆ Far raggiungere la massima velocità all'apparato prima di toccare la superficie da lavorare.

- ◆ Applicare una minima pressione alla superficie di lavoro, lasciando funzionare l'apparato a velocità elevata. La velocità di rimozione del materiale è al massimo quando l'apparato funziona ad alta velocità.
- ◆ Quando si usano le spazzole a tazza in acciaio, mantenere un angolo di 5° - 10° tra l'elettrotensile e la superficie di lavoro.
- ◆ Mantenere il contatto tra il bordo della mole e la superficie di lavoro con le mole a spazzola.
- ◆ Spostare continuamente l'elettrotensile avanti e indietro per evitare la formazione di irregolarità nella superficie di lavoro. Se l'apparato viene lasciato appoggiato sulla superficie di lavoro senza spostarlo, o se si sposta l'apparato con un movimento circolare, è possibile lasciare segni di bruciatura e impronte circolari sulla superficie di lavoro.
- ◆ Rimuovere l'apparato dalla superficie da lavorare prima di spegnerlo. Attendere che la rotazione dell'apparato sia terminata prima di appoggiarlo.

prestare particolare attenzione durante la lavorazione su un bordo, siccome è possibile che si verifichi un movimento brusco improvviso della smerigliatrice.

Precauzioni da adottare durante la levigatura o l'eliminazione con spazzola della vernice

- ◆ La levigatura di vernici a base di piombo NON è CONSIGLIATA per via delle difficoltà che presenta il controllo delle polveri contaminate. I bambini e le donne in stato interessante sono i soggetti più a rischio di avvelenamento da piombo.
- ◆ Siccome è difficile determinare se una vernice contiene piombo senza un'analisi chimica, consigliamo di attenersi alle seguenti precauzioni per la levigatura di superfici verniciate:

Sicurezza delle persone

- ◆ Laddove vengano effettuate operazioni di levigatura di vernici, non consentire l'accesso all'area di lavoro a bambini e donne in stato interessante finché tutte le operazioni di pulizia non saranno completate.
- ◆ Tutte le persone che entrano nell'area di lavoro devono indossare una maschera anti-polvere o un respiratore. Il filtro deve essere sostituito ogni giorno o ogniqualvolta il soggetto presenti difficoltà respiratorie.

Nota: è necessario utilizzare esclusivamente maschere anti-polvere adatte per la lavorazione con le polveri e i fumi delle vernici a base di piombo. Le normali maschere per vernici non offrono questa protezione. Consultare il proprio rivenditore locale per una protezione respiratoria adeguata.

- ◆ NON MANGIARE, BERE o FUMARE nell'area di lavoro per impedire l'ingestione di particelle di vernice contaminata. Gli operai devono lavarsi e cambiarsi PRIMA di mangiare, bere o fumare.

Non lasciare residui di cibi, bevande o fumo nell'area di lavoro, dove è possibile che si accumulino la polvere.

Sicurezza ambientale

- ◆ La vernice deve essere rimossa in modo tale da minimizzare la quantità di polvere generata.
- ◆ Le aree dove vengono effettuate operazioni di asportazione della vernice devono essere sigillate con rivestimenti in plastica dello spessore di 4 mil.
- ◆ La levigatura deve essere eseguita in modo tale da ridurre le tracce di polvere di vernice al di fuori dell'area di lavoro.

Pulitura e smaltimento

- ◆ È necessario aspirare e pulire accuratamente ogni giorno tutte le superfici nell'area di lavoro per tutta la durata del progetto di levigatura. I sacchetti del filtro dell'aspirapolvere devono essere cambiati regolarmente.
- ◆ Raccogliere e smaltire i teli in plastica unitamente alle schegge di polvere o ad altre scorie prodotte dalla levigatura. Tali residui devono essere riposti in contenitori di scarto sigillati e smaltiti tramite le regolari procedure di raccolta dei rifiuti. Durante le operazioni di pulizia, è necessario tenere i bambini e le donne in stato interessante lontano dall'area di lavoro.
- ◆ Tutti i giocattoli, i mobili lavabili e gli utensili utilizzati dai bambini devono essere lavati accuratamente prima di essere riutilizzati.

Impiego dei dischi di taglio

non usare le mole per la smerigliatura dei bordi/mole da taglio per le applicazioni di smerigliatura in superficie poiché queste mole non sono progettate per le pressioni laterali riscontrate con la smerigliatura in superficie. Si potrebbero causare la rottura della mole e lesioni.

- ◆ far raggiungere la massima velocità all'apparato prima di toccare la superficie da lavorare.
- ◆ Applicare una minima pressione alla superficie di lavoro, lasciando funzionare l'apparato a velocità elevata. La velocità di taglio è al massimo quando l'apparato funziona ad alta velocità.
- ◆ Una volta che si è iniziato un taglio e creato un intaglio nel pezzo, non cambiare l'angolazione del taglio. Un cambio dell'angolazione di taglio potrebbe far piegare la mole causandone la rottura.
- ◆ Rimuovere l'apparato dalla superficie da lavorare prima di spegnerlo. Attendere che la rotazione dell'apparato sia terminata prima di appoggiarlo.

Manutenzione

Questo elettrotensile Stanley Fat Max è stato progettato per funzionare a lungo con una manutenzione minima. Prestazioni sempre soddisfacenti dipendono da una cura appropriata e da una pulizia regolare.

Il caricabatterie non richiede nessuna manutenzione salvo una regolare pulizia.

Avvertenza! Prima di eseguire interventi di manutenzione su elettrotensili con o senza filo procedere come descritto di seguito.

- ◆ Spegnerne e scollegare l'apparecchio/elettrodomestico dalla presa di corrente.
- ◆ Oppure spegnere ed estrarre la batteria se l'apparecchio/elettrodomestico è dotato di battery pack a parte.
- ◆ Oppure scaricare completamente la batteria se è di tipo integrale e quindi spegnerlo.
- ◆ Scollegare l'alimentatore dalla spina prima di pulirlo. Il caricabatterie non richiede nessuna manutenzione salvo una regolare pulizia.
- ◆ Pulire regolarmente le prese di ventilazione dell'apparecchio/elettrodomestico/caricabatterie con un pennello o con un panno morbido e asciutto.
- ◆ Il vano del motore deve essere pulito regolarmente con un panno umido. Non usare materiali abrasivi o detergenti a base di solventi.
- ◆ Aprire regolarmente il mandrino e batterlo leggermente per eliminare la polvere dall'interno (se in dotazione).

Protezione dell'ambiente



Raccolta differenziata. I prodotti e le batterie contrassegnati con questo simbolo devono essere smaltiti con i rifiuti domestici normali.

I prodotti e le batterie contengono materiali che possono essere recuperati o riciclati riducendo la richiesta di materie prime. Riciclare i prodotti elettrici e le batterie secondo le disposizioni locali. Ulteriori informazioni sono disponibili all'indirizzo www.2helpU.com.

Dati tecnici

FMC761 (H1)		
Tensione	V _{dc}	18
Velocità a vuoto	Min ¹	9,000
Diametro disco	mm	125
Alesaggio disco	mm	22
Spessore max. disco		
disco di smerigliatura	mm	6
disco di taglio	mm	3,5
Diametro dell'alberino		M14
Lunghezza alberino (con flangia interna montata)	mm	14
Lunghezza alberino (senza flangia interna montata)	mm	19,5
Peso	kg	2,9

Caricabatterie	905998**	906086**	
Tensione in ingresso	V _{ac}	230	230
Tensione erogata	V _{dc}	18	18
Corrente	A	1	2
Tempo di carica approssimativo	min	90-240	45-120

Batteria	FMC685L	FMC687L	FMC688L
Tensione	V_{AC} 18	18	18
Capacità	Ah 1,5	2,0	4,0
Tipo	Agli ioni di litio		Agli ioni di litio

Livello di pressione sonora misurato in base a EN 60745:	
Pressione sonora (L_{pA})	80,5 dB(A), incertezza (K) 3 dB(A)
Potenza acustica (L_{WA})	91,5 dB(A), incertezza (K) 3 dB(A)

Vibration total values (triax vector sum) according to EN 60745:	
Smerigliatura della superficie ($a_{h,so}$)	3,9 m/s ² , incertezza (K) 1,5 m/s ²
Lucidatura ($a_{h,p}$)	2,0 m/s ² , incertezza (K) 1,5 m/s ²
Sabbatura del disco ($a_{h,ss}$)	4,5 m/s ² , incertezza (K) 1,5 m/s ²

Attenzione! Le applicazioni come il taglio o la spazzolatura di metallo possono avere emissioni delle vibrazioni differenti.

Dichiarazione di conformità CE

DIRETTIVA MACCHINE



FMC761 - Smerigliatrice angolare a batteria

Stanley Fat Max dichiara che questi prodotti descritti al paragrafo "Dati tecnici" sono conformi a:
EN60745-1:2009+A11:2010, EN60745-2-3:2011+A12:2014

Questi prodotti sono anche conformi alla direttiva
2006/42/EC, 2014/30/EU e 2011/65/EU.

Per ulteriori informazioni contattare Stanley Fat Max al seguente indirizzo oppure consultare l'ultima di copertina del manuale.

Il firmatario è responsabile della compilazione del documento tecnico e rende questa dichiarazione per conto di
Stanley Fat Max.

R. Laverick
Direttore tecnico
Stanley Fat Max Europe, Egide Walschaertsstraat14-18,
2800 Mechelen, Belgio
01/10/2018

Garanzia

Stanley Fat Max è sicura della qualità dei propri prodotti e offre ai consumatori una garanzia di 12 mesi dalla data di acquisto. Il presente certificato di garanzia è complementare ai diritti legali e non li pregiudica in alcun modo. La garanzia

è valida sui territori degli stati membri dell'Unione Europea e dell'EFTA (Associazione europea di libero scambio).

Per attivare la garanzia, il reclamo deve essere effettuato in accordo con i Termini e Condizioni Stanley Fat Max e sarà necessario presentare la prova di acquisto al venditore o all'agente di riparazione autorizzato. I Termini e condizioni della garanzia Stanley Fat Max di 1 anno e la sede dell'agente di riparazione autorizzato più vicino sono consultabili su Internet all'indirizzo www.2helpU.com, o contattando l'ufficio Stanley Fat Max di zona all'indirizzo indicato in questo manuale.

Visitare il nostro sito www.stanley.eu/3 per registrare il nuovo prodotto Stanley Fat Max e ricevere gli aggiornamenti sui nuovi prodotti e le offerte speciali.

Bedoeld gebruik

De Stanley Fat Max FMC761 haakse slijper is ontworpen voor het slijpen en zagen van metaal en steen met behulp van het geschikte type slijp- of snijschijf. Het gereedschap moet worden voorzien van een geschikte beschermkap. Dit gereedschap is bedoeld voor professionele gebruikers en voor privé-gebruik.

Instructies voor de veiligheid

Algemene veiligheidswaarschuwingen voor elektrisch gereedschap

Waarschuwing! Lees alle veiligheidswaarschuwingen en alle instructies. Wanneer de volgende waarschuwingen en voorschriften niet in acht worden genomen, kan dit een elektrische schok, brand of ernstig letsel tot gevolg hebben.



Bewaar alle waarschuwingen en instructies als referentiemateriaal.

De hierna gebruikte term 'elektrisch gereedschap' in alle waarschuwingen die hieronder worden vermeld, heeft betrekking op elektrisch gereedschap voor gebruik op netspanning (met netsnoer) of op een accu (snoerloos).

1. Veilige werkomgeving

- Houd uw werkomgeving schoon en goed verlicht.** Op rommelige of donkere plekken zullen sneller ongelukken gebeuren.
- Werk niet met elektrisch gereedschap in een omgeving met explosiegevaar, zoals in de nabijheid van brandbare vloeistoffen, gassen of stof.** Elektrisch gereedschap veroorzaakt vonken die het stof of de dampen kunnen doen ontbranden.
- Houd kinderen en omstanders tijdens het gebruik van elektrisch gereedschap op afstand.** Als u wordt afgeleid, kunt u de controle over het gereedschap verliezen.

2. Elektrische veiligheid

- De netstekker van het gereedschap moet in het stopcontact passen. Pas de stekker nooit op enige manier aan. Gebruik geen adapterstekkers in combinatie met geaard elektrisch gereedschap.** Niet-aangepaste stekkers en passende contactdozen verminderen het risico van een elektrische schok.
- Vermijd aanraking van het lichaam met geaarde oppervlakken, bijvoorbeeld buizen, verwarmingen, fornuizen en koelkasten.** Er bestaat een verhoogd risico van een elektrische schok als uw lichaam contact heeft met aarde.

- Stel het gereedschap niet bloot aan regen en vocht.** Als er water in een elektrisch gereedschap dringt, verhoogt dit het risico van een elektrische schok.
- Behandel het snoer voorzichtig. Gebruik het snoer nooit om het elektrische gereedschap te dragen of naar u toe te trekken, of de stekker uit het stopcontact te halen. Houd het snoer uit de buurt van warmte, olie, scherpe randen, of bewegende onderdelen.** Beschadigde snoeren of snoeren die in de war zijn geraakt, verhogen het risico van een elektrische schok.
- Gebruik, wanneer u buitenshuis met elektrisch gereedschap werkt, alleen verlengsnoeren die zijn goedgekeurd voor gebruik buitenshuis.** Het gebruik van een verlengsnoer dat geschikt is voor buitenshuis, vermindert het risico van een elektrische schok.
- Als u met elektrisch gereedschap werkt op een vochtige locatie, gebruik dan een aardlekschakelaar (RCD).** Het gebruik van een aardlekschakelaar vermindert het risico van een elektrische schok.

3. Persoonlijke veiligheid

- Blijf alert, let goed op wat u doet en ga met verstand te werk bij het gebruik van elektrisch gereedschap. Gebruik het gereedschap niet als u vermoeid bent of onder de invloed van drugs, alcohol of medicatie bent.** Een moment van onoplettendheid tijdens het werken met elektrisch gereedschap kan leiden tot ernstig persoonlijk letsel.
- Draag persoonlijke beschermende uitrusting. Draag altijd oogbescherming.** Beschermende uitrusting, zoals een stofmasker, antislip veiligheidsschoenen, een helm, of gehoorbescherming, gebruikt in de juiste omstandigheden, zal het risico op persoonlijk letsel verminderen.
- Voorkom per ongeluk inschakelen. Controleer dat de schakelaar in de uit-stand staat voordat u het gereedschap aansluit op het stopcontact en/of de accu plaatst en voordat u het gereedschap optilt of gaat dragen.** Het dragen van elektrisch gereedschap met uw vinger op de schakelaar of het aanzetten van elektrisch gereedschap waarvan de schakelaar aan staat, kan leiden tot ongelukken.
- Verwijder stelsleutel of steeksleutels voordat u het gereedschap inschakelt.** Een steeksleutel of stelsleutel in een draaiend deel van het gereedschap kan tot verwondingen leiden.
- Reik niet buiten uw macht. Blijf altijd stevig en in balans op de grond staan.** Dit geeft u betere controle over het elektrisch gereedschap in onverwachte situaties.
- Draag geschikte kleding. Draag geen loszittende kleding of sieraden. Houd uw haar, kleding en handschoenen uit de buurt van bewegende onderdelen.** Loszittende kleding, sieraden of lang haar kunnen door bewegende delen worden gegrepen.

- g. Als voorzieningen voor stofafzuiging of stofopvang kunnen worden gemonteerd, controleer dan dat deze zijn aangesloten en op de juiste wijze worden gebruikt. Het gebruik van stofafzuiging kan aan stof gerelateerde gevaren verminderen.
- 4. Gebruik en onderhoud van elektrisch gereedschap
 - a. Overbelast het elektrisch gereedschap niet. Gebruik het juiste elektrisch gereedschap voor uw toepassing. Met het juiste elektrisch gereedschap kunt u de werkzaamheden waarvoor het gereedschap is ontworpen, beter en veiliger uitvoeren.
 - b. Gebruik het elektrisch gereedschap niet als de schakelaar niet goed werkt. Ieder gereedschap dat niet met de schakelaar kan worden bediend, is gevaarlijk en moet worden gerepareerd.
 - c. Trek de stekker uit het stopcontact en/of de accu uit het elektrisch gereedschap voordat u het gereedschap instelt, toebehoren wisselt of het gereedschap opbergt. Dergelijke preventieve veiligheidsmaatregelen verminderen het risico dat het elektrisch gereedschap per ongeluk wordt gestart.
 - d. Bewaar elektrisch gereedschap dat niet wordt gebruikt, buiten bereik van kinderen. Laat niet personen die er niet vertrouwd mee zijn en deze aanwijzingen niet hebben gelezen met het gereedschap werken. Elektrisch gereedschap is gevaarlijk in handen van ongetrainde gebruikers.
 - e. Onderhoud het gereedschap goed. Controleer of bewegende delen van het gereedschap wel goed functioneren en niet klemmen, en of er niet onderdelen zodanig zijn gebroken of beschadigd dat de werking van het gereedschap nadelig wordt beïnvloed. Laat het gereedschap voor gebruik repareren als het beschadigd is. Veel ongelukken worden veroorzaakt door slecht onderhouden elektrisch gereedschap.
 - f. Houd zaag- en snijdgereedschap scherp en schoon. Goed onderhouden snijdgereedschappen met scherpe snijvlakken lopen minder snel vast en zijn gemakkelijker onder controle te houden.
 - g. Gebruik elektrisch gereedschap, toebehoren, zaagjes en boortjes, enz., volgens deze aanwijzingen. Let daarbij op de arbeidsomstandigheden en de uit te voeren werkzaamheden. Gebruik van het elektrisch gereedschap voor werkzaamheden die anders zijn dan bedoeld, kan leiden tot een gevaarlijke situatie.
- 5. Gebruik en onderhoud van accugereedschap
 - a. Laad accu's alleen op met de door de fabrikant aanbevolen lader. Een lader die geschikt is voor het ene type accu, kan een risico van brand doen ontstaan bij gebruik met een andere accu.
 - b. Gebruik elektrisch gereedschap alleen in combinatie met specifiek vermelde accu's. Het gebruik van andere accu's kan gevaar voor letsel en brand opleveren.
 - c. Houd de accu, wanneer u deze niet gebruikt, weg bij andere metalen objecten zoals paperclips, munten, sleutels, spijkers, schroeven of andere kleine metalen voorwerpen die een verbinding tot stand kunnen brengen tussen de ene pool en de andere. Als kortsluiting tussen de polen van de accu wordt gemaakt, kan dit tot brandwonden of brand leiden.
 - d. Wanneer de accu slecht wordt behandeld, kan er vloeistof uit de accu spuiten, vermijd contact met deze vloeistof. Als er per ongeluk contact ontstaat, spoel dan met water. Als de vloeistof in de ogen komt, roep dan tevens medische hulp in. Vloeistof uit de accu kan irritatie en brandwonden veroorzaken.
- 6. Service
 - a. Laat het gereedschap repareren door gekwalificeerd en vakkundig personeel en alleen met originele vervangende onderdelen. Dit zorgt ervoor dat de veiligheid van het gereedschap gewaarborgd blijft.

Aanvullende veiligheidswaarschuwingen voor elektrisch gereedschap



Waarschuwing! Aanvullende veiligheidswaarschuwingen voor slijpen, schuren, staalborstelen, polijsten en schurende snijbewerkingen.

- ◆ Dit elektrische gereedschap is bedoeld voor bewerkingen zoals slijpen, schuren, staalborstelen, polijsten of snijden. Lees alle veiligheidswaarschuwingen, instructies, illustraties en specificaties die bij dit gereedschap zijn meegeleverd. Het niet opvolgen van alle onderstaande instructies kan leiden tot een elektrische schok, brand en/of ernstig persoonlijk letsel.
- ◆ Werkzaamheden waarvoor het elektrische gereedschap niet is ontworpen, kunnen leiden tot gevaarlijke situaties en lichamelijk letsel.
- ◆ Gebruik geen hulpstukken die niet speciaal zijn ontworpen en aanbevolen door de fabrikant. Als u een accessoire op uw gereedschap kunt bevestigen, betekent dat nog niet dat u er gegarandeerd veilig mee kunt werken.
- ◆ De nominale snelheid van het hulpstuk moet minimaal gelijkwaardig zijn aan de maximale snelheid die is aangegeven op het gereedschap. Accessoires die sneller draaien dan hun nominale toerental, kunnen in stukken breken en deze stukken kunnen worden weggeslingerd.
- ◆ De buitendiameter en dikte van uw hulpstuk mogen niet groter zijn dan de maximale capaciteit van uw

elektrische gereedschap. Voor hulpstukken van onjuiste formaten zijn geen geschikte beschermkappen beschikbaar en dergelijke accessoires zijn moeilijk te hanteren.

- ◆ De bevestiging van hulpstukken met schroefdraad moet overeenkomen met het schroefdraad van de as van de slijper. Voor accessoires die zijn gemonteerd door middel van flenzen moet het drevelgat van het accessoire passen bij de plaatsingsdiameter van de flens. Accessoires die niet passen op de bevestigingshardware van het gereedschap zullen uit balans raken en/of extreem trillen en kunnen u de beheersing over het gereedschap doen verliezen.
- ◆ Gebruik een hulpstuk niet als het beschadigd is. Controleer accessoires zoals schuurwielen voor gebruik op schiffers en barstjes, steunkussens op barstjes, scheurtjes of excessieve slijtage, staalborstels op losse of gespleten draden. Als het gereedschap of het accessoire is gevallen, inspecteer het dan op schade of plaats een onbeschadigd accessoire. Na het controleren en plaatsen van een accessoire zorgt u dat u en omstanders uit de buurt van het bereik van het ronddraaiende accessoire blijft en zet u het gereedschap gedurende een minuut aan op maximale snelheid zonder weerstand. Beschadigde accessoires breken gewoonlijk af tijdens deze testtijd.
- ◆ Draag een beschermende uitrusting. Afhankelijk van de toepassing gebruikt u gezichtsbedekking of bescherming van de ogen, zoals een veiligheidsbril. Draag, zo nodig, een stofmasker, gehoorbescherming, handschoenen en een werkschort die kleine afgeschuurde deeltjes of deeltjes van het werkstuk tegenhouden. De bescherming van de ogen moet rondvliegende deeltjes die door de diverse werkzaamheden vrijkomen, tegen kunnen houden. Het stofmasker of de respirator moet in staat zijn om partikels die voortkomen uit werkzaamheden afdoende te filteren. Langdurige blootstelling aan intense geluiden kan gehoorverlies veroorzaken.
- ◆ Houd omstanders op veilige afstand van de werkplek. Iedereen die het werkgebied betreedt, moet persoonlijke beschermende kleding dragen. Brokstukken van het werkstuk of van een afgebroken accessoire kunnen wegvliegen en letsel buiten het directe werkgebied veroorzaken.
- ◆ Houd het gereedschap alleen vast aan geïsoleerde oppervlakken, wanneer u een handeling uitvoert waarbij het accessoire van het zaaggereedschap in contact kan komen met verborgen bedrading of het eigen netsnoer. Accessoires van gereedschap die in contact komen met bedrading waar spanning op staat, kunnen metalen onderdelen van het gereedschap onder stroom zetten en de gebruiker een elektrische schok geven.

- ◆ Plaats het snoer uit de buurt van het draaiende hulpstuk. Als u de controle verliest, wordt het snoer mogelijk doorgesneden of gegrepen en kan uw hand of arm in het draaiende accessoire worden getrokken.
- ◆ Leg het elektrisch gereedschap pas neer als het hulpstuk volledig tot stilstand is gekomen. Het ronddraaiende accessoire kan mogelijk in contact met de oppervlakte komen waardoor u de controle over het gereedschap verliest.
- ◆ Stel het gereedschap niet in werking wanneer u dit naast u draagt. Wanneer uw kleding per ongeluk bekneld raakt in het ronddraaiende accessoire, kan het accessoire tegen uw lichaam aan worden getrokken.
- ◆ Reinig regelmatig de ventilatieopeningen van het gereedschap. De ventilator van de motor zuigt het stof in de behuizing en al te grote ophoping van metaaldeeltjes kan een elektrische schok veroorzaken.
- ◆ Gebruik het gereedschap niet in de buurt van brandbaar materiaal. Vonken kunnen deze materialen doen ontbranden.
- ◆ Gebruik geen hulpstukken waarvoor koelvloeistoffen vereist zijn. Het gebruik van water of andere vloeibare koelmiddelen kan een elektrische schok tot gevolg hebben.

Opmerking: De bovenstaande waarschuwing geldt niet voor apparatuur die speciaal is bedoeld voor gebruik met vloeistofkoeling.

Waarschuwing met betrekking tot terugslag en gerelateerde waarschuwingen

Terugslag is een plotselinge reactie op een ronddraaiend wiel, steunkussens, borstel of ander accessoire dat bekneld of gegrepen wordt. Wanneer dit gebeurt, stopt het hulpstuk zeer plotseling met draaien waardoor de draaiing wordt overgebracht op het gereedschap zelf dat vervolgens op het verbindingspunt naar achteren klapt in een richting tegengesteld aan de draaiing van het hulpstuk. Als bijvoorbeeld een schuurschijf wordt gegrepen of bekneld raakt door het werkstuk, kan de rand van schijf die er bij het beknellingpunt ingaat in het oppervlak van het materiaal slaan waardoor de schijf naar buiten loopt of terugslaat. De schijf kan ook in de richting of juist weg van de bediener springen, afhankelijk van de draairichting van de schijf op het moment van beknelling. Schuurschijven kunnen onder deze omstandigheden ook afbreken. Terugslag is het gebruik van verkeerd gebruik of onjuiste gebruiksomstandigheden van elektrisch gereedschap. Met geschikte voorzorgsmaatregelen, zoals hieronder zijn beschreven, kan terugslag worden voorkomen.

- ◆ Blijf het gereedschap stevig met beide handen vasthouden en plaats uw lichaam en armen zo dat u een eventuele terugslag kunt tegenhouden. Maak ook

altijd gebruik van de hulphandgreep, indien bijgeleverd, voor maximale controle bij terugslag of torsiereactie tijdens het opstarten. Met de juiste voorzorgsmaatregelen kunnen gebruikers torsiereactie of terugslagkrachten onder controle houden.

- ◆ **Houd uw hand uit de buurt van het draaiende accessoire.** Het accessoire kan over uw hand terugslaan.
- ◆ **Zorg ervoor dat uw lichaam zich niet bevindt waar het bij een terugslag in aanraking zou kunnen komen met het gereedschap.** Wanneer terugslag optreedt, beweegt het gereedschap zich in een richting tegengesteld aan de draaiing van het hulpstuk op het moment van beknelling.
- ◆ **Wees extra voorzichtig bij het werken aan hoeken, scherpe randen, enz. Voorkom dat het accessoire terugslaat en bekneld raakt in het werkstuk.** Hoeken, scherpe randen en wegspringen van het gereedschap kunnen er vaak toe leiden dat het ronddraaiende accessoire blijft hangen en kunnen verlies van controle of terugslag veroorzaken.
- ◆ **Gebruik dit gereedschap niet in combinatie met een cirkelzaagblad of andere getande zaagbladen.** Dergelijke zaagbladen kunnen herhaaldelijk terugslag en verlies van controle veroorzaken.

Veiligheidswaarschuwingen met betrekking tot slijpen en schurende snijbewerkingen:

- ◆ **Gebruik alleen de voor uw gereedschap aanbevolen schijven en de beschermkap die speciaal is ontworpen voor de geselecteerde schijf.** Wielen waarvoor het elektrische gereedschap niet is ontwikkeld kunnen niet voldoende worden beveiligd en zijn onveilig.
- ◆ **Het slijpoppervlak van schijven met ingedrukt midelpunt moeten onder het vlak van de rand van de beschermkap worden gemonteerd.** Een schijf die niet goed is gemonteerd en die uitsteekt buiten het vlak van de beveiligingslip, kan niet naar behoren worden afgeschermd.
- ◆ **De beschermkap moet stevig aan het gereedschap worden bevestigd en zo worden geplaatst dat maximale veiligheid is gegarandeerd, waarbij de gebruiker aan een zo klein mogelijk gedeelte van de schijf is blootgesteld.** De beschermkap beschermt de gebruiker tegen delen die van de schijf kunnen afbreken, contact met de draaiende schijf en vonken die gaten in kleding kunnen branden.
- ◆ **Schijven mogen alleen worden gebruikt voor de aanbevolen toepassingen. Bijvoorbeeld, slijp niet met de zijkant van een afkortschijf.** Schurende afkortschijven zijn bedoeld voor perifeer slijpen; zijwaartse krachten kunnen ertoe leiden dat deze wielen uit elkaar vallen.
- ◆ **Gebruik altijd onbeschadigde flenzen van het juiste formaat en de juiste vorm voor de geselecteerde**

schijf. De juiste flenzen ondersteunen de schijf en verkleinen zo de mogelijkheid van breuk. Flenzen voor afkortwielen kunnen verschillen van schijfflenzen voor slijpwerk.

- ◆ **Gebruik geen afgesleten schijven van groter elektrisch gereedschap.** Een schijf die is bedoeld voor groter elektrisch gereedschap is niet geschikt voor de hogere snelheid van een kleiner gereedschap en kan uit elkaar spatten.

Aanvullende veiligheidswaarschuwingen voor slijpen/afkorten

- ◆ **Laat de afkortschijf niet vastlopen en duw niet te hard. Probeer niet al te diepe zaagsneden te maken.** Wanneer u de veel druk uitoefent op de schijf wordt deze teveel belast en is er meer risico op verdraaiing of beknelling van de schijf in de zaagsnede en is er ook meer kans op terugslag of zelfs breken van de schijf.
- ◆ **Plaats uw lichaam niet op één lijn achter de draaiende schijf.** Wanneer de schijf tijdens het gebruik van u af draait, kunnen de schijf en het gereedschap bij eventuele terugslag mogelijk recht op u af worden geslingerd.
- ◆ **Wanneer de schijf vast komt te zitten, of wanneer u het zagen om welke reden dan ook wilt onderbreken, schakel dan het gereedschap uit en houd het zonder te bewegen in het materiaal tot de schijf volledig tot stilstand is gekomen. Probeer nooit een afkortschijf uit de zaagsnede te verwijderen terwijl het wiel in beweging is, omdat dan terugslag kan optreden.** Zoek naar de oorzaak van het vastlopen van de schijf en neem de juiste maatregelen om dit te verhelpen.
- ◆ **Hervat de werkzaamheden niet met de schijf nog in het werkstuk. Laat het wiel volledig op snelheid komen en steek het voorzichtig opnieuw in de zaagsnede.** Het wiel kan blokkeren, weglopen of terugslaan als het gereedschap opnieuw wordt opgestart in het werkstuk.
- ◆ **Ondersteun panelen of grote werkstukken zodat het risico op vastlopen van de schijf en terugslag tot een minimum wordt beperkt.** Grote werkstukken kunnen onder hun eigen gewicht doorzakken. De ondersteuning moeten aan beide zijden worden geplaatst onder het werkstuk, dicht bij de zaaglijn en aan beide zijden van de schijf.
- ◆ **Wees extra voorzichtig wanneer u een invalzaagsnede wilt maken in bestaande muren of andere plekken die u niet kunt overzien.** Het uitstekende wiel kan in gas- of waterbuizen, elektrische bedrading of objecten zagen die een terugslag veroorzaken.

Veiligheidswaarschuwingen met betrekking tot schuren

- ◆ **Gebruik geen al te grote stukken schuurpapier. Volg bij het selecteren van schuurpapier de richtlijnen van de fabrikant.** Groter schuurpapier dat buiten het schuurkussen steekt, veroorzaakt gevaar van schaafwonden en kan beknelling of scheuren van de schijf of terugslag veroorzaken.

Veiligheidswaarschuwingen met betrekking tot polijsten

- ◆ **Laat geen losse delen van de polijstkap of de bevestigingsdraden vrij ronddraaien. Stop losse bevestigingsdraden weg of knip ze af.** Losse en ronddraaiende bevestigingsdraden kunnen in uw vingers verstrikt raken of in het werkstuk haken.

Veiligheidswaarschuwingen met betrekking tot staalborstelen

- ◆ **Houd er rekening mee dat ook bij gewone werkzaamheden borstelharen los kunnen raken uit de staalborstel. Zet niet teveel kracht op de borstelharen door een te grote druk op de borstel uit te oefenen.** De borstelharen dringen gemakkelijk door in lichte kleding en/of de huid.
- ◆ **Als gebruik van een beschermkap wordt aanbevolen voor werken met de staalborstel, laat dan de draadschijf of de staalborstel niet in aanraking kunnen komen met de beschermkap.** De schijf en de borstel kunnen als gevolg van belasting en centrifugale krachten tijdens de werkzaamheden uitzetten en van vorm veranderen



Waarschuwing! Contact met of inademing van het stof dat bij het schuren vrijkomt, kan de gezondheid van de gebruiker en omstanders schaden. Draag een stofmasker dat speciaal is ontworpen ter bescherming tegen stof en dampen, en zorg ervoor dat andere personen op werkplek ook zijn beschermd.

Veiligheid van anderen

- ◆ Dit apparaat mag worden gebruikt door kinderen van 8 jaar en ouder en personen die lichamelijk of geestelijk minder valide zijn of die geen ervaring met of kennis van dit apparaat hebben, mits zij onder toezicht staan of instructies krijgen voor een veilige manier van gebruiken van het apparaat en inzicht hebben in de mogelijke gevaren.
- ◆ Kinderen mogen niet met het apparaat spelen. Laat kinderen nooit zonder toezicht het apparaat schoonmaken of onderhouden.

Overige risico's

Er kunnen zich bij het gebruik van dit gereedschap nog meer risico's voordoen, die mogelijk niet in de bijgesloten veiligheidswaarschuwingen worden beschreven. Deze risico's kunnen zich voordoen door onoordeelkundig gebruik, langdurig gebruik, enz. Zelfs wanneer de veiligheidsvoorschriften in acht worden genomen en de veiligheidsvoorzieningen worden gebruikt, kunnen bepaalde risico's niet worden uitgesloten. Dit zijn onder meer:

- ◆ Verwondingen die worden veroorzaakt door aanraking van draaiende/bewegende onderdelen.
- ◆ Verwondingen die worden veroorzaakt bij het vervangen van onderdelen, zaagbladen of accessoires.
- ◆ Verwondingen die worden veroorzaakt door langdurig gebruik van gereedschap. Wanneer u langere periodes met het gereedschap werkt, kunt u het beste regelmatig een pauze nemen.
- ◆ Gehoorbeschadiging.
- ◆ Gezondheidsrisico's door het inademen van stof dat vrijkomt bij gebruik van uw gereedschap (bijv.: het werken met hout, vooral eiken, beuken en MDF.)

Trillingen

De aangegeven waarden voor trillingsemissie in de technische gegevens en de conformiteitsverklaring, zijn gemeten conform een standaardtestmethode die door EN 60745 wordt verstrekt. Hiermee kan het ene gereedschap met het andere worden vergeleken. De aangegeven waarde voor trillingsemissie kan ook worden gebruikt bij een voorlopige bepaling van blootstelling.

Waarschuwing! De waarde voor trillingsemissie tijdens het werkelijke gebruik van het gereedschap kan verschillen van de aangegeven waarde afhankelijk van de manieren waarop het gereedschap wordt gebruikt. Het trillingsniveau kan toenemen tot boven het aangegeven niveau.

Bij beoordeling van de blootstelling aan trillingen met het doel vast te stellen welke veiligheidsmaatregelen 2002/44/EG vereist ter bescherming van personen die tijdens hun werk regelmatig elektrisch gereedschap gebruiken, moet bij een inschatting van de blootstelling aan trillingen rekening worden gehouden met de werkelijke gebruiksomstandigheden en de manier waarop het gereedschap wordt gebruikt. Daarbij moet ook rekening worden gehouden met alle onderdelen van de bedrijfscyclus, zoals wanneer het gereedschap wordt uitgeschakeld en wanneer het gereedschap stationair loopt en ook de aanlooptijd.

Etiketten op het gereedschap

Behalve van de datumcode is het gereedschap voorzien van de volgende symbolen:



Waarschuwing! De gebruiker moet de instructiehandleiding lezen zodat het risico van letsel wordt beperkt.



Draag een veiligheidsbril of een stofbril als u deze machine gebruikt.



Draag gehoorbeschermers als u dit gereedschap gebruikt.

Aanvullende veiligheidsinstructies voor accu's en laders

Accu's

- ◆ Probeer nooit om welke reden dan ook de accu open te maken.
- ◆ Stel de accu niet bloot aan water.
- ◆ Bewaar de accu niet op locaties waar de temperatuur kan stijgen tot boven 40 °C.
- ◆ Laad de accu's alleen op bij een omgevingstemperatuur tussen 10 °C en 40 °C.
- ◆ Laad de accu alleen op in de lader die bij het gereedschap wordt geleverd.
- ◆ Gooi accu's weg volgens de instructies in het hoofdstuk "Het milieu beschermen".



Probeer niet beschadigde accu's op te laden.

Laders

- ◆ Gebruik de lader van Stanley Fat Max alleen voor de accu's in het apparaat waarbij de lader is geleverd. Andere accu's kunnen openbarsten, met letsel en materiële schade tot gevolg.
- ◆ Probeer nooit niet-oplaadbare accu's op te laden.
- ◆ Laat een snoer dat kapot is, direct vervangen.
- ◆ Stel de lader niet bloot aan water.
- ◆ Maak de lader niet open.
- ◆ Steek niet met een scherp voorwerp in de lader.



De lader is uitsluitend bestemd voor gebruik binnenshuis.



Lees de instructiehandleiding voordat u de lader in gebruik neemt.

Elektrische veiligheid



De lader is dubbel geïsoleerd, en daarom is een aardedraad niet nodig. Controleer altijd dat de netspanning overeenkomt met de waarde op het typeplaatje. Probeer nooit de lader te voorzien van een normale netstekker.

- ◆ Als het netsnoer is beschadigd, moet dit worden vervangen door de fabrikant of door een officieel Stanley Fat

Max-servicecentrum, zodat ongelukken worden voorkomen.

Funcities

Dit apparaat heeft enkele van de volgende functies of allemaal.

1. Schakelaar voor vergrendeling in de Uit-stand
2. Aan/uit-schakelaar
3. Zijhandgreep
4. Spindelvergrendeling
5. Beschermkap
6. Slijpschijf
7. Accu
8. Steeksleutel

fig. A

9. Batterijlader
10. Oplaadindicator

Gebruik van het gereedschap

Waarschuwing! Laat het gereedschap op zijn eigen snelheid werken. Overbelast het gereedschap niet.

- ◆ Houd er rekening mee dat er een vonkenregen vrij kan komen wanneer bij het slijpen of zagen de schijf het werkstuk raakt.
- ◆ Houd het gereedschap altijd zo dat de beschermkap optimale bescherming biedt tegen de slijp- of zaagschijf.

De accu opladen (afb. A)

De accu moet vóór het eerste gebruik worden opgeladen, en ook zodra de accu niet meer voldoende vermogen levert voor taken die eerst gemakkelijk konden worden uitgevoerd. Tijdens het opladen kan de accu warm worden. Dit is normaal en duidt niet op een probleem.

Waarschuwing! Laad de accu niet op bij een omgevingstemperatuur van lager dan 10 °C of hoger dan 40 °C. De aanbevolen laadtemperatuur ligt op ongev. 24 °C.

Opmerking: De lader functioneert niet als de temperatuur van de accu lager is dan ongeveer 10 °C of hoger dan 40 °C. Laat de accu in dat geval in de lader zitten. De lader wordt automatisch ingeschakeld wanneer de accu de juiste temperatuur heeft.

- ◆ Steek de accu (7) die u wilt opladen in de lader (9). De accu past maar op één manier in de lader. Oefen er geen kracht op uit. Controleer dat de accu goed in de lader is geplaatst.
- ◆ Steek de stekker van de lader in een stopcontact. De oplaadindicator (10) gaat knipperen.

Als het lampje (10) continu brandt, is de accu volledig opgeladen. De lader en de accu kunnen voor onbepaalde tijd verbonden blijven. Het lampje wordt ingeschakeld wanneer de lader de accu van tijd tot tijd bijlaadt.

- ◆ Laad lege accu's binnen 1 week op. Als u accu's leeg bewaart, loopt de levensduur van de accu's aanzienlijk terug.

De accu in de lader laten zitten

U kunt de accu voor onbepaalde tijd in de lader laten zitten terwijl het Led-lampje brandt. De lader zorgt ervoor dat de accu altijd volledig opgeladen is.

Diagnose van de accu door de lader

Als er wordt geconstateerd dat de accu bijna leeg is of beschadigd is, gaat het indicatielampje van de oplader (10) snel rood knipperen. Ga in dat geval als volgt te werk:

- ◆ Plaats de accu (7) opnieuw.
- ◆ Controleer, als het oplaadlampje snel rood blijft knipperen, met een andere accu of de lader wel goed werkt.
- ◆ Wordt de andere accu wel goed opgeladen, dan is de oorspronkelijke accu kapot en kunt u deze het beste terugbrengen naar een servicecentrum, waar de accu kan worden gerecycled.
- ◆ Als bij de nieuwe accu het lampje ook snel knippert, laat de lader dan testen in een geautoriseerd servicecentrum. **Opmerking:** Het kan soms wel 30 minuten duren voordat kan worden vastgesteld dat de accu niet goed functioneert. Als de accu te warm of te koud is, knippert het lampje afwisselend snel en langzaam rood.

In- en uitschakelen

- ◆ U schakelt het gereedschap in door de knop voor vergrendeling in de Uit-stand (1) naar voren te schuiven en vervolgens de Aan/Uit-schakelaar (2) in te drukken en vast te houden.
- ◆ U schakelt het gereedschap uit door de Aan/Uit-schakelaar (2) los te laten.

Waarschuwing! Zet het gereedschap niet uit of aan terwijl het wordt belast.

Waarschuwing! Schuif de schakelaar voor vergrendeling in de Uit-stand (1) altijd naar achteren, in de vergrendelde positie, wanneer het gereedschap niet wordt gebruikt.

Tips voor optimaal gebruik

- ◆ Houd het gereedschap stevig vast waarbij u met uw ene hand de zijgreep vasthoudt en met uw andere hand de hoofdhandgreep.

Oppervlakken slijpen met slijpschijven

- ◆ Laat het gereedschap volledig op snelheid te komen voordat u met het gereedschap het werkoppervlak aanraakt.
- ◆ Oefen minimale druk uit op het werkoppervlak, laat het gereedschap op hoge snelheid zijn werk doen. Het rendement van de haakse slijper is het grootst wanneer het gereedschap op hoge snelheid werkt.

- ◆ Houd een hoek van 20° tot 30° aan tussen het gereedschap en het werkoppervlak.
- ◆ Verplaats het gereedschap continu in een voorwaartse en achterwaartse beweging zodat er geen groeven in het werkoppervlak ontstaan.
- ◆ Neem het gereedschap van het werkoppervlak voordat u het gereedschap uitschakelt. Leg het gereedschap pas neer wanneer het tot stilstand is gekomen.

Randen slijpen met slijpschijven

Schijven die worden gebruikt om te zagen of randen te slijpen, kunnen breken of terugslaan als deze buigen of draaien terwijl het gereedschap snijwerk of zwaar slijpwerk wordt gebruikt. Beperk het gebruik van deze schijven met een standaardtype 27 beschermkap voor ondiep snijden en inkepingen (minder dan 13 mm diep). Zo vermindert u het risico op ernstige verwondingen. De open zijde van de beschermkap moet van de gebruiker vandaan zijn gericht. Gebruik voor het dieper zagen met een zaagschijf van Type 1 een gesloten beschermkap van Type 1. Zie de grafiek Slijpen en snijden achterin het gedeelte van deze taal.

- ◆ Laat het gereedschap volledig op snelheid komen voordat u met het gereedschap het werkoppervlak aanraakt.
- ◆ Oefen minimale druk uit op het werkoppervlak, laat het gereedschap op hoge snelheid zijn werk doen. Het rendement van de haakse slijper is het grootst wanneer het gereedschap op hoge snelheid werkt.
- ◆ Ga zo staan dat de open onderzijde van de schijf van u af is gericht.
- ◆ Verander niet meer de hoek van de zaagsnede wanneer het zagen is begonnen en er in het werkstuk een inkeping is ontstaan. Wanneer u de hoek verandert zal daardoor de schijf worden gebogen en dat kan leiden tot breuk van de schijf. Schijven voor het slijpen van randen zijn niet bestand tegen zijdelingse druk die wordt veroorzaakt door buigen.
- ◆ Neem het gereedschap van het werkoppervlak voordat u het gereedschap uitschakelt. Leg het gereedschap pas neer wanneer het tot stilstand is gekomen.

Gebruik schijven voor het zagen/slijpen van randen niet voor het slijpen van oppervlakken omdat deze schijven niet bestand zijn tegen de zijdelingse druk die ontstaat bij het slijpen van een oppervlak. Breuk van de schijf en letsel kan het gevolg zijn.

Het afwerken van oppervlakken met schuurklep-schijven

- ◆ Laat het gereedschap volledig op snelheid komen voordat u met het gereedschap het werkoppervlak aanraakt.
- ◆ Oefen minimale druk uit op het werkoppervlak, laat het gereedschap op hoge snelheid zijn werk doen. Het schuurrendement van het gereedschap is het grootst wanneer het op hoge snelheid werkt.

- ◆ Houd een hoek van 5° tot 10° aan tussen het gereedschap en het werkkoppervlak.
- ◆ Verplaats het gereedschap continu in een voorwaartse en achterwaartse beweging zodat er geen groeven in het werkkoppervlak ontstaan.
- ◆ Neem het gereedschap van het werkkoppervlak voordat u het gereedschap uitschakelt. Leg het gereedschap pas neer wanneer het tot stilstand is gekomen.

Achterste schuurschijven gebruiken

Gebruik voor uw toepassing de schuurschijven van de juiste grofheid. Schuurschijven zijn verkrijgbaar in diverse grofheden. Met een grotere grofheid wordt sneller materiaal weggeschuurd en ontstaat een ruwere afwerking. Met een mindere grofheid wordt minder snel materiaal weggeschuurd en ontstaat een gladdere afwerking. Begin met grove schuurschijven zodat u snel ruw materiaal kunt verwijderen. Vervolg met schuurpapier met een gemiddelde grofheid en werk af met een fijne schuurschijf voor de mooiste afwerking.

- ◆ Grof met korrel 16 - 30
- ◆ Gemiddeld met korrel 36 - 80
- ◆ Fijne afwerking met korrel 100 - 120
- ◆ Zeer fijne afwerking met korrel 150 - 180
- ◆ Laat het gereedschap volledig op snelheid komen voordat u met het gereedschap het werkkoppervlak aanraakt.
- ◆ Oefen minimale druk uit op het werkkoppervlak, laat het gereedschap op hoge snelheid zijn werk doen. Het schuurrendement van het gereedschap is het grootst wanneer het op hoge snelheid werkt.
- ◆ Houd een hoek van 5° tot 15° aan tussen het gereedschap en het werkkoppervlak. De schuurschijf moet contact maken met ongeveer 25mm van het werkkoppervlak.
- ◆ Verplaats het gereedschap voortdurend in een rechte lijn zodat u er niet brand- en draaiplekken in het werkkoppervlak ontstaan. Wanneer u het gereedschap op het werkkoppervlak laat rusten zonder het te verplaatsen, of wanneer u het gereedschap in een cirkelvormige beweging verplaatst, ontstaan brand- en draaiplekken op het werkkoppervlak.
- ◆ Neem het gereedschap van het werkkoppervlak voordat u het gereedschap uitschakelt. Leg het gereedschap pas neer wanneer het tot stilstand is gekomen.

Ronde staalborstels en draaischijven gebruiken

U kunt met draadschijven en draadborstels roest, kalkaanslag en verf verwijderen en onregelmatig gevormde oppervlakken glad maken.

Opmerking: Bij het verwijderen van verf met staalborstels en het schuren van verf moeten dezelfde maatregelen worden genomen.

- ◆ Laat het gereedschap volledig op snelheid komen voordat u met het gereedschap het werkkoppervlak aanraakt.

- ◆ Oefen minimale druk uit op het werkkoppervlak, laat het gereedschap op hoge snelheid zijn werk doen. Het rendement van het gereedschap bij het verwijderen van materiaal is het grootst wanneer het gereedschap op hoge snelheid werkt.
- ◆ Houd een hoek van 5° tot 10° tussen het gereedschap en het werkkoppervlak voor ronde staalborstels.
- ◆ Houd bij gebruik van draadschijven contact tussen de rand van de schijf en het werkkoppervlak.
- ◆ Verplaats het gereedschap continu in een voorwaartse en achterwaartse beweging zodat er geen groeven in het werkkoppervlak ontstaan. Wanneer u het gereedschap op het werkkoppervlak laat rusten zonder het te verplaatsen, of wanneer u het gereedschap in een cirkelvormige beweging verplaatst, ontstaan brand- en draaiplekken op het werkkoppervlak.
- ◆ Neem het gereedschap van het werkkoppervlak voordat u het gereedschap uitschakelt. Geef het gereedschap de tijd om te stoppen met draaien voordat u het neerzet. Ga extra voorzichtig te werk wanneer u over een rand werkt, omdat u dan een plotselinge scherpe beweging van de slijpmachine kunt ervaren.

Voorzorgsmaatregelen voor het schuren of staalborstelen van verf

- ◆ Het schuren van een verf op loodbasis wordt NIET GEADVISEERD omdat het moeilijk is de verontreinigde stofdeeltjes onder controle te houden. Voor kinderen en zwangere vrouwen is loodvergiftiging het meest gevaarlijk.
- ◆ Omdat het zonder chemische analyse moeilijk is vast te stellen of een verf lood bevat, adviseren wij de volgende voorzorgsmaatregelen wanneer u verf schuurt:

Persoonlijke veiligheid

- ◆ Kinderen en zwangere vrouwen mogen niet worden toegelaten op de werkplek waar verf wordt geschuurd totdat alle schoonmaakwerkzaamheden zijn voltooid.
- ◆ Alle personen die de werkplek betreden moeten een stofmasker dragen. Het filter moet dagelijks worden vervangen of wanneer de drager moeilijkheden heeft met ademen.

Opmerking: Gebruik alleen stofmaskers die geschikt zijn voor het werken met stof van loodhoudende verf en dampen. Gewone stofmaskers bieden deze bescherming niet.

Ga naar de gereedschapswinkel bij u in de buurt en vraag naar het stofmasker met de juiste bescherming van de luchtwegen.

- ◆ EET, DRINK EN ROOK NIET op de werkplek zodat u geen verontreinigde verfdeeltjes binnen kunt krijgen. Personen die dit werk uitvoeren moeten zich wassen en moeten opruimen VOORDAT zij eten, drinken of roken. Etenswaar, drinken en rookgerei mogen niet achterblijven op de werkplek waar er stof op kan neerdalen.

Milieubescherming

- ◆ Verf moet worden verwijderd op een manier dat er zo min mogelijk stof ontstaat.
- ◆ Ruimten waar verf wordt verwijderd, moeten worden afgedicht met plastic doek met een dikte van 4 mils.
- ◆ Schuren moet zo worden uitgevoerd dat er weinig sporen van verfstofdeeltjes buiten de werkplek komen.

Reiniging en weggooiën

- ◆ Alle vlakken op de werkplek moeten dagelijks worden gestofzuigd en grondig worden gereinigd zolang er wordt geschuurd. Stofzuigerzakken moeten vaak worden vervangen.
- ◆ Plastic afdekkleden moeten worden verzameld en samen met stofdeeltjes en ander afval worden weggegooid. Zij moeten in dichte vuilnisbakken worden geplaatst en worden opgehaald door de gebruikelijke vuilnisophalendienst. Tijdens het schoonmaken moeten kinderen en zwangere vrouwen uit de buurt worden gehouden van de directe werkplek.
- ◆ Alle speelgoed, meubelstukken en gebruiksvoorwerpen die kunnen worden gereinigd en die door kinderen worden gebruikt, moeten grondig worden schoongemaakt voordat ze weer worden gebruikt.

Snijschijven gebruiken

Gebruik schijven voor het zagen/slijpen van randen niet voor het slijpen van oppervlakken omdat deze schijven niet bestand zijn tegen de zijdelingse druk die ontstaat bij het slijpen van een oppervlak. Breuk van de schijf en letsel kan het gevolg zijn.

- ◆ Laat het gereedschap volledig op snelheid komen voordat u het werkkoppervlak aanraakt.
- ◆ Oefen minimale druk uit op het werkkoppervlak, laat het gereedschap op hoge snelheid zijn werk doen. Het zaagrendement van het gereedschap is het grootst wanneer het op hoge snelheid werkt.
- ◆ Verander niet meer de hoek van de zaagsnede wanneer het zagen is begonnen en er in het werkstuk een inkeping is ontstaan. Wanneer u de hoek verandert zal daardoor de schijf worden gebogen en dat kan leiden tot breuk van de schijf.
- ◆ Neem het gereedschap van het werkkoppervlak voordat u het gereedschap uitschakelt. Geef het gereedschap de tijd om te stoppen met draaien voordat u het neerzet.

Onderhoud

Uw Stanley Fat Max-gereedschap is ontworpen om gedurende langere periode te functioneren met een minimum aan onderhoud. Het continu naar tevredenheid functioneren hangt af van de juiste zorg voor het gereedschap en regelmatig schoonmaken.

Behalve regelmatige reiniging vraagt de lader geen onderhoud.

Waarschuwing! Ga altijd als volgt te werk voor u onderhoud aan het gereedschap (met snoer/snoerloos) uitvoert:

- ◆ Schakel het gereedschap/apparaat uit en trek de stekker uit het stopcontact.
- ◆ Of schakel het gereedschap/apparaat uit en haal de accu eruit, als het een aparte accu heeft.
- ◆ Of maak de accu geheel leeg, als de accu een integraal onderdeel van het gereedschap is en schakel het apparaat vervolgens uit.
- ◆ Trek de stekker van de lader uit het stopcontact voordat u de lader schoonmaakt. Behalve regelmatige reiniging vraagt de lader geen onderhoud.
- ◆ Reinig regelmatig de ventilatieopeningen van het gereedschap/apparaat/de lader met een zachte borstel of droge doek.
- ◆ Reinig de behuizing van de motor regelmatig met een vochtige doek. Gebruik niet een schurend schoonmaakmiddel of een schoonmaakmiddel op basis van een oplosmiddel.
- ◆ Open regelmatig de boorkop en tik erop zodat stof uit het binnenste (indien van toepassing) kan vallen.

Het milieu beschermen



Gescheiden afvalinzameling. Producten en accu's waarop dit symbool is aangebracht, mogen niet bij het normale huishoudafval worden weggegooid.

Producten en accu's bevatten materialen die kunnen worden teruggewonnen of gerecycled en dat doet de vraag naar grondstoffen. Recycle elektrische producten en accu's volgens de ter plaatse geldende bepalingen. Nadere informatie is beschikbaar op www.2helpU.com.

Technische gegevens

	FMC761 (H1)	
Spanning	V _{DC}	18
Snelheid onbelast	Min ⁻¹	9,000
Diameter schijf	mm	125
Boring schijf	mm	22
Max. dikte van schijf		
slijpschijf	mm	6
zaagschijf	mm	3,5
Asdiameter		M14
Lengte van de as (met de binnenste flens gemonteerd)	mm	14
Lengte van de as (zonder de binnenste flens gemonteerd)	mm	19,5
Gewicht	kg	2,9

Lader	905998**	906086**
Ingangsspanning	V _{AC} 230	230
Uitgangsspanning	V _{DC} 18	18
Laadstroom	A 1	2
Oplaadtijd ongeveer	min 90-240	45-120

Accu	FMC685L	FMC687L	FMC688L
Spanning	V _{AC} 18	18	18
Capaciteit	Ah 1,5	2,0	4,0
Type	Li-Ion	Li-Ion	Li-Ion

Geluidsdruk niveau, volgens EN 60745:	
Geluidsdruk (L _{WA})	80,5 dB(A), meetonzekerheid (K) 3 dB(A)
Geluidsvermogen (L _{WA})	91,5 dB(A), meetonzekerheid (K) 3 dB(A)

Totale trillingswaarden (som triaxvector) volgens EN 60745:	
Vlakschuren (a _{v,sc})	3,9 m/s ² , meetonzekerheid (K) 1,5 m/s ²
Polijsten (a _{v,p})	2,0 m/s ² , meetonzekerheid (K) 1,5 m/s ²
Schuren met schijf (a _{v,sc})	4,5 m/s ² , meetonzekerheid (K) 1,5 m/s ²

Let op! Toepassingen zoals afkortzagen en schuren met een draadborstel kunnen andere waarden voor vibratie-emissie geven.

EG conformiteitsverklaring

RICHTLIJN VOOR MACHINES



FMC761 - Snoerloze haakse slijper

Stanley Fat Max verklaart dat deze producten, die worden beschreven onder "Technische gegevens", voldoen aan: EN60745-1:2009+A11:2010, EN60745-2-3:2011+A12:2014

Deze producten voldoen tevens aan de richtlijn 2006/42/EC, 2014/30/EU en 2011/65/EU.

Neem voor meer informatie contact op met Stanley Fat Max op het volgende adres of raadpleeg de achterzijde van de handleiding.

De ondergetekende is verantwoordelijk voor de samenstelling van het technische bestand en legt deze verklaring af namens Stanley Fat Max.

R. Laverick
Engineering Director
Stanley Fat Max Europe, Egide Walschaertsstraat14-18,
2800 Mechelen, België
01-10-2018

Garantie

Stanley Fat Max heeft vertrouwen in zijn producten en biedt consumenten een garantie van 12 maanden vanaf de datum van aankoop. Deze garantie vormt een aanvulling op uw wettelijke rechten en beperken deze niet. De garantie is geldig op het grondgebied van de Lidstaten van de Europese Unie en de Europese Vrijhandelszone.

Voor een garantie-aanspraak moet uw aanspraak in overeenstemming zijn met de Voorwaarden en Condities van Stanley Fat Max en moet u een bewijs van aankoop overleggen aan de verkoper of aan een geautoriseerde reparatiemonteur. Voorwaarden en condities van de 1-jarige garantie van Stanley Fat Max en het adres van de vestiging van het geautoriseerde reparatiecentrum bij u in de buurt, kunt u vinden op internet op www.2helpU.com, of door contact op te nemen met het Stanley Fat Max-kantoor ter plaatse, op het adres dat in deze handleiding wordt vermeld.

Ga naar onze website www.stanley.eu/3 en registreer uw nieuwe product van Stanley Fat Max en ontvang informatie over nieuwe producten en speciale aanbiedingen.

Uso previsto

La amoladora angular Stanley Fat Max FMC761 ha sido diseñada para pulir y cortar metal y mampostería utilizando el tipo de disco de corte o amolado adecuado. La herramienta debe estar equipada con el protector correspondiente. Esta herramienta ha sido concebida para usuarios profesionales y para usuarios no profesionales privados.

Instrucciones de seguridad

Advertencias de seguridad generales para herramientas eléctricas



Advertencia. Lea todas las advertencias de seguridad y todas las instrucciones. En caso de no atenderse a las siguientes advertencias e instrucciones de seguridad, podría producirse una descarga eléctrica, incendio o lesión grave.

Guarde todas las advertencias e instrucciones para futuras consultas. El término "herramienta eléctrica" empleado en las advertencias a continuación hace referencia a la herramienta eléctrica con alimentación de red (con cable) o alimentada por batería (sin cable).

1. Seguridad del área de trabajo

- Mantenga limpia y bien iluminada el área de trabajo.** Las áreas en desorden u oscuras pueden provocar accidentes.
- No utilice herramientas eléctricas en entornos con peligro de explosión, como aquellos en los que haya líquidos, gases o material en polvo inflamables.** Las herramientas eléctricas originan chispas que pueden inflamar el polvo o los gases.
- Mantenga alejados a los niños y otras personas del área de trabajo al emplear la herramienta eléctrica.** Las distracciones pueden ocasionar que pierda el control.

2. Seguridad eléctrica

- El enchufe de la herramienta eléctrica debe corresponder a la toma de corriente. No modifique nunca el enchufe de ninguna forma. No utilice ningún enchufe adaptador con las herramientas eléctricas conectadas a tierra.** Los enchufes no modificados y las tomas de corriente correspondientes reducirán el riesgo de descarga eléctrica.
- Evite que su cuerpo toque partes conectadas a tierra como tuberías, radiadores, cocinas y refrigeradores.** Existe un mayor riesgo de descarga eléctrica si su propio cuerpo está conectado a tierra.
- No exponga las herramientas eléctricas a la lluvia y a la humedad.** Si entra agua a una herramienta eléctrica aumentará el riesgo de descarga eléctrica.

- Cuide el cable de alimentación. No use nunca el cable para transportar, tirar de la herramienta eléctrica o desenchufarla. Mantenga el cable alejado del calor, aceite, bordes afilados y piezas en movimiento.** Los cables dañados o enredados aumentan el riesgo de descarga eléctrica.
- Al trabajar con la herramienta eléctrica en la intemperie utilice solamente cables de prolongación homologados para su uso en exteriores.** La utilización de un cable adecuado para el uso en exteriores reduce el riesgo de descarga eléctrica.
- Si la utilización de una herramienta eléctrica en un lugar húmedo es inevitable, utilice una fuente protegida con un dispositivo de corriente residual (RCD).** El uso de un dispositivo de corriente residual reduce el riesgo de descarga eléctrica.

3. Seguridad personal

- Esté atento a lo que hace y emplee la herramienta eléctrica con prudencia. No maneje una herramienta eléctrica cuando esté cansado o bajo los efectos de drogas, medicamentos o alcohol.** Un momento de falta de atención cuando se manejan las herramientas eléctricas puede ocasionar lesiones personales graves.
- Utilice un equipo de protección personal. Utilice siempre protección ocular.** El uso del equipo protector como mascarillas antipolvo, calzado antideslizante, casco o protección auditiva para condiciones apropiadas reducirá las lesiones personales.
- Impida que la herramienta se ponga en marcha accidentalmente. Asegúrese de que el interruptor se encuentre en la posición de apagado antes de conectar la herramienta a la fuente de alimentación o a la batería, o de coger o transportar la herramienta.** Transportar herramientas eléctricas con el dedo puesto en el interruptor o herramientas eléctricas activadoras que tengan el interruptor encendido puede provocar accidentes.
- Retire las herramientas de ajuste o llaves fijas antes de encender la herramienta eléctrica.** Dejar una llave inglesa u otra llave puesta en una pieza en movimiento de la herramienta eléctrica puede ocasionar lesiones personales.
- Sea precavido. Mantenga un equilibrio adecuado y la estabilidad constantemente.** Esto permite un mejor control de la herramienta eléctrica en situaciones inesperadas.
- Lleve puesta una vestimenta de trabajo adecuada. No se ponga ropa suelta o joyas. Mantenga el cabello, la ropa y los guantes alejados de las piezas en movimiento.** La ropa suelta, las joyas y el pelo largo pueden quedar atrapados en las piezas en movimiento.

- g. **Siempre que sea posible utilizar unos equipos de aspiración o captación de polvo, asegúrese de que estén montados y se utilicen correctamente.** El uso de equipo de recogida de polvo puede reducir los riesgos relacionados con el polvo.
- 4. **Uso y cuidado de herramientas eléctricas**
 - a. **No sobrecargue la herramienta eléctrica. Use la herramienta eléctrica correcta para su trabajo.** La herramienta eléctrica correcta funcionará mejor y con mayor seguridad si se utiliza de acuerdo con sus características técnicas.
 - b. **No utilice herramientas eléctricas con un interruptor defectuoso.** Toda herramienta eléctrica que no pueda controlarse con el interruptor es peligrosa y debe ser reparada.
 - c. **Desconecte el enchufe de la herramienta eléctrica de la fuente de alimentación y la batería antes de realizar cualquier ajuste, cambiar accesorios o guardar la herramienta.** Dichas medidas de seguridad preventivas reducen el riesgo de poner en marcha accidentalmente la herramienta eléctrica.
 - d. **Guarde las herramientas eléctricas fuera del alcance de los niños y no permita que la utilicen las personas no familiarizadas con su uso o con estas instrucciones.** Las herramientas eléctricas son peligrosas en manos de personas no capacitadas.
 - e. **Realice el mantenimiento de sus herramientas eléctricas. Controle si funcionan correctamente, sin atascarse, las partes móviles de la herramienta eléctrica, y si existen partes rotas o deterioradas que pudieran afectar al funcionamiento de la herramienta. Si la herramienta eléctrica está dañada, llévela para que sea reparada antes de utilizarla.** Se ocasionan muchos accidentes por el mal mantenimiento de las herramientas eléctricas.
 - f. **Mantenga las herramientas de corte limpias y afiladas.** Hay menos probabilidad de que las herramientas de cortar con bordes afilados se bloqueen, y son más fáciles de controlar.
 - g. **Utilice la herramienta eléctrica, los accesorios, los útiles de la herramienta, etc. de acuerdo con estas instrucciones, y tenga en cuenta las condiciones de trabajo y la tarea que va a realizar.** El uso de la herramienta eléctrica para operaciones que no sean las previstas puede ocasionar una situación peligrosa.
- 5. **Uso y cuidado de la herramienta de baterías**
 - a. **Recárguela solo con el cargador especificado por el fabricante.** Un cargador adecuado para un tipo de paquete de baterías puede provocar riesgos de incendio al ser utilizado con otro paquete de baterías.

- b. **Utilice las herramientas eléctricas solamente con las baterías recomendadas.** El uso de otras baterías puede suponer un riesgo de incendio y lesiones.
- c. **Cuando no utilice la batería, manténgala alejada de objetos de metal como clips para papel, monedas, llaves, clavos, tornillos y otros pequeños objetos metálicos que pueden realizar una conexión de un terminal a otro.** Si se produce un cortocircuito entre los terminales de la batería, pueden ocasionarse incendios o quemaduras.
- d. **En caso de uso abusivo puede salir líquido de la batería, evite el contacto. Si se produce un contacto accidental, lave con agua. Si el líquido se pone en contacto con los ojos, acuda además a un médico.** El líquido expulsado de la batería podrá provocar irritaciones o quemaduras.
- 6. **Servicio**
 - a. **Esta herramienta eléctrica solo la puede reparar personal técnico autorizado que emplee exclusivamente piezas de repuesto originales.** Así se asegurará que se mantenga la seguridad de la herramienta eléctrica.

Advertencias de seguridad adicionales para herramientas eléctricas



Advertencia. Advertencias de seguridad adicionales para amolado, lijado, cepillado metálico, pulido u operaciones de corte abrasivas.

- ◆ **Esta herramienta eléctrica ha sido concebida para funcionar como amoladora, lijadora, cepilladora, pulidora o herramienta de corte. Lea todas las advertencias de seguridad, instrucciones, ilustraciones y especificaciones suministradas con esta herramienta eléctrica.** El incumplimiento de las instrucciones que se indican a continuación puede causar descargas eléctricas, incendios y/o lesiones graves.
- ◆ **El uso en operaciones para las que la herramienta no ha sido diseñada puede ocasionar riesgos y lesiones personales.**
- ◆ **No utilice accesorios que no estén especialmente diseñados y recomendados por el fabricante de la herramienta.** El hecho de que el accesorio pueda acoplarse a la herramienta eléctrica no garantiza un funcionamiento sin riesgos.
- ◆ **La velocidad nominal del accesorio debe ser al menos igual a la velocidad máxima indicada en la herramienta eléctrica.** Los accesorios que funcionen más rápido que la velocidad prevista pueden romperse y salir volando.

- ◆ **El diámetro exterior y el espesor del accesorio deben estar dentro de los límites de la capacidad nominal de la herramienta eléctrica.** Los accesorios con un tamaño incorrecto no pueden protegerse o controlarse adecuadamente.
- ◆ **El montaje de accesorios con rosca debe coincidir con el hilo del eje de la amoladora. Para los accesorios instalados por bridas, el orificio del eje del accesorio debe adaptarse al diámetro de la brida.** Los accesorios que no se corresponden con las piezas de montaje de la herramienta eléctrica se desequilibrarán, vibrarán excesivamente y pueden causar pérdida de control.
- ◆ **No utilice accesorios dañados. Antes de cada uso inspeccione los accesorios, por ejemplo, las muelas abrasivas, para verificar si tiene muescas o grietas; el plato portadiscos, para verificar si tiene grimas o roturas o si está muy desgastado, y el cepillo de metal, para verificar si tiene alambres sueltos o quebrados. Si la herramienta eléctrica o un accesorio se caen, compruebe que no estén dañados y, en su caso, instale un accesorio no dañado. Después de inspeccionar e instalar un accesorio, usted y otras personas que estuviesen cerca deben alejarse del plano del accesorio en movimiento, solo entonces ponga la herramienta eléctrica en funcionamiento a velocidad máxima en vacío durante un minuto.** Por lo general, los accesorios dañados se rompen durante la prueba.
- ◆ **Póngase un equipo de protección individual. Dependiendo de la aplicación, use un protector facial y gafas protectoras. Si corresponde, póngase una mascarilla antipolvo, protectores para el oído, guantes y un delantal de trabajo que pueda detener pequeños fragmentos abrasivos o de la pieza de trabajo.** La protección ocular debe poder detener las partículas volantes que se producen con varias operaciones. La mascarilla contra el polvo o respirador debe ser capaz de filtrar las partículas generadas por las distintas operaciones. La exposición prolongada al ruido de intensidad elevada puede causar pérdida auditiva.
- ◆ **Mantenga a otras personas a una distancia de seguridad de la zona de trabajo. Todos los que entren al área de trabajo deben llevar puesto un equipo de protección personal.** Los fragmentos de una pieza de trabajo o de un accesorio roto pueden salir volando y ocasionar una lesión mas allá del área inmediata de operación.
- ◆ **Sostenga la herramienta eléctrica solo por las empuñaduras aisladas cuando realice una operación en la que el accesorio de corte pueda entrar en contacto con un cable oculto o con su propio cable.** El contacto de los accesorios de corte con un cable "cargado", puede

- cargar las partes metálicas expuestas de la herramienta eléctrica y producir una descarga eléctrica al operador.
- ◆ **Coloque el cable alejado del accesorio cuando este gira.** Si pierde el control, el cable puede cortarse o engancharse y puede arrastrar a la mano o el brazo hacia el accesorio giratorio.
- ◆ **No pose la herramienta eléctrica hasta que el accesorio se haya detenido por completo.** El accesorio giratorio puede agarrarse a la superficie y hacer que usted pierda el control de la herramienta.
- ◆ **No ponga en funcionamiento la herramienta eléctrica mientras la transporta junto a usted.** El contacto accidental con el accesorio giratorio podría hacer que se enganche la ropa y que el accesorio le toque el cuerpo.
- ◆ **Limpie con regularidad las ventilaciones de aire de la herramienta eléctrica.** El ventilador del motor atraerá el polvo dentro de la caja protectora y la acumulación excesiva del metal en polvo puede ocasionar riesgos eléctricos.
- ◆ **No utilice la herramienta eléctrica cerca de materiales inflamables.** Las chispas pueden encender estos materiales.
- ◆ **No utilice accesorios que requieran refrigerantes líquidos.** El utilizar agua u otros refrigerantes líquidos puede ocasionar electrocución o descarga.

Nota: La advertencia anterior no afecta a las herramientas eléctricas diseñadas específicamente para ser utilizadas con un sistema de líquidos.

Retroceso y advertencias relacionadas

El rebote es una reacción repentina al quedar enganchados o atrapados un disco, plato portadiscos, cepillo u otro accesorio móvil. El enganche o atrapamiento hace que el accesorio giratorio se paralice rápidamente, lo que a su vez puede provocar que la herramienta eléctrica sin control funcione en dirección opuesta a la rotación del accesorio en el punto de bloqueo.

Por ejemplo, si un disco abrasivo se engancha o queda presionado por la pieza de trabajo, el borde de el disco que entra en el punto de presión puede incrustarse en la superficie del material ocasionando que el disco se salga o se trabe. El disco puede saltar hacia el usuario o en otra dirección, dependiendo de la dirección del movimiento del disco en el punto de enganche. Los discos abrasivos también pueden romperse en estas condiciones.

El retroceso se debe a la utilización inadecuada o a procedimientos o condiciones de trabajo incorrectos y puede evitarse tomando las precauciones que se detallan a continuación.

- ◆ **Sujete firmemente la empuñadura de la herramienta eléctrica y coloque el cuerpo y el brazo de modo que puedan soportar los retrocesos. Utilice siempre una**

empuñadura auxiliar, si se incluye, para obtener un máximo control sobre el retroceso o reacción de torsión durante el arranque. Si se toman las precauciones adecuadas, el usuario puede controlar las reacciones de torsión o retrocesos.

- ◆ **Nunca coloque la mano cerca de un accesorio giratorio.** El accesorio puede rebotarle en la mano.
- ◆ **No coloque el cuerpo en el área hacia la que se moverá la herramienta eléctrica si se produce un retroceso.** El retroceso hará que la herramienta se vea empujada en dirección opuesta al movimiento del disco en el punto de enganche.
- ◆ **Tenga especial cuidado cuando trabaje en zonas con esquinas, bordes afilados, etc. Evite que el accesorio rebote o se enganche.** Las esquinas, los bordes afilados o los rebotes suelen enganchar el accesorio en movimiento y ocasionar pérdida de control o tensión de retroceso.
- ◆ **No use hojas de sierra mecánica para cortar madera ni hojas de sierra dentadas.** Dichas hojas ocasionan frecuentes rebotes y pérdida de control.

Advertencias de seguridad específicas para amolado y operaciones de corte abrasivas:

- ◆ **Utilice solo los tipos de discos recomendados para la herramienta eléctrica y el protector especialmente diseñado para el disco seleccionado.** Los discos que no han sido diseñados para la herramienta eléctrica no pueden protegerse adecuadamente y no son seguros.
- ◆ **La superficie de amolado de los discos abombados en el centro debe montarse por debajo del plano del borde del protector.** Un disco instalado incorrectamente que se proyecta fuera del plano del borde del protector no puede protegerse correctamente.
- ◆ **El protector debe acoplarse de forma segura a la herramienta eléctrica y colocarse para brindar la máxima seguridad posible, dejando la menor cantidad de disco expuesta en dirección del usuario.** El protector ayuda a proteger al usuario de los fragmentos del disco rotos, del contacto accidental con el disco y de las chispas que puedan llegar a inflamarse con la ropa.
- ◆ **Los discos deben utilizarse únicamente para los usos recomendados. Por ejemplo, no amole con el lado de un disco de corte.** Los discos de corte abrasivo están previstos para el amolado periférico, y si se aplican fuerzas laterales a estos discos pueden causar la rotura de los mismos.
- ◆ **Utilice siempre bridas de discos que no estén dañadas y del tamaño y forma correctos para el disco seleccionado.** Las bridas de discos adecuadas sostienen el disco, por lo que se reduce la posibilidad de que se rompa. Las bridas de los discos de corte pueden ser diferentes de las bridas de los discos para amolado.

- ◆ **No utilice discos desgastados de herramientas eléctricas de mayor tamaño.** Un disco diseñado para una herramienta eléctrica más grande no es adecuado para la mayor velocidad de una herramienta más pequeña y puede explotar.

Advertencias de seguridad adicionales para operaciones de corte abrasivas

- ◆ **No bloquee el disco de corte ni aplique una presión excesiva sobre él. No intente hacer un corte de profundidad excesiva.** Una presión excesiva sobre el disco puede aumentar la carga y la posibilidad de que el disco se doble o se bloquee durante el corte, además de aumentar la probabilidad de que se produzcan retrocesos o roturas del disco.
- ◆ **No coloque el cuerpo en la línea y detrás del disco giratorio.** Durante el funcionamiento, cuando el disco se aleje de su cuerpo, un posible retroceso podría impulsar el disco giratorio y la herramienta eléctrica directamente hacia usted.
- ◆ **Si el disco se bloquea o si, por algún motivo, se interrumpe el corte, desconecte la herramienta y no la mueva hasta que el disco se haya detenido por completo. No intente nunca sacar del corte el disco de corte mientras este esté en movimiento, de lo contrario puede ocurrir un rebote.** Investigue y tome medidas correctivas para eliminar la causa del trabado del disco.
- ◆ **No reinicie la operación de corte en la pieza de trabajo. Espere a que el disco alcance la velocidad máxima y vuelva a introducirlo en el corte con cuidado.** El disco puede bloquearse, saltar o rebotar si la herramienta eléctrica vuelve a ponerse en marcha en la pieza de trabajo.
- ◆ **Sujete los paneles o cualquier pieza de trabajo de grandes dimensiones para minimizar el riesgo de que el disco quede atrapado o salga despedido hacia atrás.** Las piezas de trabajo grandes tienden a hundirse por su propio peso. Se deben colocar soportes bajo la pieza de trabajo cerca de la línea de corte y cerca del borde de la pieza de trabajo a ambos lados del disco.
- ◆ **Adopte medidas de precaución extraordinarias cuando efectúe un "corte de cavidad" en muros u otras zonas ciegas.** Si el disco sobresale puede cortar las tuberías de gas o de agua, la instalación eléctrica u objetos que pueden ocasionar un rebote.

Advertencias de seguridad específicas para operaciones de lijado

- ◆ **No utilice papel de lija demasiado grande para el disco. Siga las recomendaciones del fabricante a la hora de seleccionar el papel de lija.** El papel de lija grande que sobresale del disco de lijado presenta un

riesgo de laceración y puede ocasionar el enganche o rotura del disco o un rebote.

Advertencias de seguridad específicas para operaciones de pulido

- ◆ **No permita que ninguna parte suelta de la cubierta para pulido o sus cuerdas de fijación giren sin control. Oculte o corte todos los cables sueltos de los accesorios.** Los cables de los accesorios sueltos o en movimiento pueden engancharse en los dedos o en la pieza de trabajo.

Advertencias de seguridad específicas para operaciones de cepillado metálico

- ◆ **Tenga cuidado pues el cepillo expulsa cerdas metálicas incluso durante las operaciones normales. No ejerza demasiada presión en los alambres aplicando una carga excesiva a la escobilla.** Las cerdas de alambre pueden penetrar fácilmente la ropa ligera o la piel.
- ◆ **Si se recomienda el uso de un protector para el cepillo metálico, no permita que dicho protector interfiera con el disco o el cepillo.** El disco o el cepillo de alambre puede expandir su diámetro debido a la carga de trabajo y a los movimientos centrifugos.



Advertencia. El contacto o la inhalación del polvo procedente de las aplicaciones de la lijadora puede suponer un peligro para la salud del usuario y de cualquier otra persona que se encuentre a su alrededor. Utilice una mascarilla antipolvo diseñada específicamente para proteger contra el polvo y los vapores y asegúrese de que las demás personas que se encuentren dentro del área de trabajo o que vayan a entrar en ella también estén protegidas.

Seguridad de otras personas

- ◆ Esta herramienta puede ser usado por niños a partir de 8 años de edad y por personas con capacidades físicas, sensoriales o mentales disminuidas, o que carezcan de experiencia y conocimientos, si están supervisadas o han recibido formación con respecto al uso del aparato de una forma segura y que comprenden los peligros que entraña su uso.
- ◆ Los niños no deben jugar con el aparato. Ningún niño deberá realizar las tareas de limpieza y mantenimiento, salvo que lo hagan bajo supervisión.

Riesgos residuales

El uso de esta herramienta puede producir riesgos residuales adicionales no incluidos en las advertencias de seguridad adjuntas. Estos riesgos se pueden generar por un uso incorrecto, demasiado prolongado, etc.

El cumplimiento de las normas de seguridad correspondientes y el uso de dispositivos de seguridad no evitan ciertos riesgos residuales. Dichos riesgos incluyen:

- ◆ Lesiones producidas por el contacto con piezas móviles o giratorias.
- ◆ Lesiones producidas al cambiar cualquier pieza, cuchilla o accesorio.
- ◆ Lesiones producidas al usar una herramienta por un tiempo demasiado prolongado. Si utiliza una herramienta durante períodos de tiempo demasiado prolongados, asegúrese de realizar pausas con frecuencia.
- ◆ Deterioro auditivo.
- ◆ Riesgos para la salud producidos al respirar el polvo que se genera cuando se utiliza la herramienta (ejemplo: en los trabajos con madera, especialmente si son de roble, haya y tableros de densidad mediana).

Vibración

Los valores de emisión de vibraciones declarados en el apartado de características técnicas y en la declaración de conformidad se han calculado según un método de prueba estándar proporcionado por la norma EN 60745 y podrán utilizarse para comparar una herramienta con otra. El valor de emisión de vibraciones especificado también puede utilizarse en una evaluación preliminar de la exposición.

Advertencia. El valor de emisión de vibraciones durante el funcionamiento real de la herramienta eléctrica puede diferir del valor declarado en función de cómo se utilice dicha herramienta. El nivel de las vibraciones puede aumentar por encima del nivel declarado.

Al evaluar la exposición a las vibraciones con el fin de determinar las medidas de seguridad que exige la directiva 2002/44/CE para proteger a las personas que utilizan periódicamente herramientas eléctricas en el entorno laboral, deberá tenerse en cuenta una estimación de la exposición a las vibraciones, las condiciones de uso reales y el modo de empleo de la herramienta, así como los pasos del ciclo operativo como, por ejemplo, el número de veces que la herramienta se apaga, el tiempo que está parada y el tiempo de activación.

Etiquetas en la herramienta

Junto con el código de la fecha, en la herramienta aparecen los siguientes símbolos

Instrucciones de seguridad adicionales para baterías y cargadores

Baterías

- ◆ Jamás trate de abrir las baterías por ningún motivo.
- ◆ No exponga la batería al agua.

- ◆ No guarde la batería en lugares en los que la temperatura pueda superar los 40 °C.
- ◆ Realice la carga únicamente a una temperatura ambiente de entre 10 °C y 40 °C.
- ◆ Utilice únicamente el cargador suministrado con la herramienta para realizar la carga.
- ◆ Para desechar las baterías, siga las instrucciones facilitadas en la sección "Protección del medioambiente".



No intente cargar baterías dañadas.

Cargadores

- ◆ Utilice el cargador Stanley Fat Max para cargar únicamente la batería de la herramienta con la que fue suministrado. Otras baterías pueden explotar y provocar lesiones y daños materiales.
- ◆ Nunca intente cargar baterías no recargables.
- ◆ Sustituya los cables defectuosos inmediatamente.
- ◆ No exponga el cargador al agua.
- ◆ No abra el cargador.
- ◆ No aplique ningún dispositivo para medir la resistencia del cargador.



Este adaptador está pensado únicamente para utilizarse en un lugar interior.



Lea el manual de instrucciones antes de usar el producto.

Seguridad eléctrica



El cargador presenta un aislamiento doble; por lo tanto, no se requiere conexión a tierra. Compruebe siempre que el voltaje de la red eléctrica corresponda al valor indicado en la placa de características. No intente sustituir el cargador por un enchufe convencional para la red eléctrica.

- ◆ Si se daña el cable de alimentación, debe ser sustituido por el fabricante o un centro de asistencia técnica autorizado de Stanley Fat Max para evitar cualquier situación de riesgo.

Características

Este aparato incluye una o más de las siguientes características.

1. Interruptor de desbloqueo
2. Interruptor de activación
3. Empuñadura lateral
4. Bloqueo del eje
5. Protector de amolado
6. Disco de amolado
7. Batería
8. Tuerca de dos contactos

Fig. A

9. Cargador de batería
10. Indicador de carga

Uso

Advertencia. Deje que la herramienta funcione a su ritmo. No la sobrecargue.

- ◆ Tenga en cuenta que se pueden producir chispas cuando el disco de amolado o de corte entra en contacto con la pieza de trabajo.
- ◆ Coloque siempre la herramienta de tal forma que el protector proporcione la máxima protección del disco de amolado o de corte.

Carga de la batería (Fig. A)

Es necesario cargar la batería antes del primer uso y cada vez que note que no dispone de suficiente potencia para tareas que antes realizaba con facilidad. Es posible que la batería se caliente durante la carga; esto es normal y no denota ningún problema.

Advertencia. No cargue la batería si la temperatura ambiente es inferior a 10 °C o superior a 40 °C. La temperatura de carga recomendada es de aproximadamente 24 °C.

Nota: El cargador no cargará la batería si la temperatura de la célula es inferior a 10 °C o superior a 40 °C aproximadamente.

Deje la batería en el cargador y este empezará a cargarla automáticamente cuando la temperatura de la batería aumente o disminuya.

- ◆ Para cargar la batería (7), insértela en el cargador (9). La batería encaja en el cargador solo en un sentido. No la fuerce. Asegúrese de que la batería queda perfectamente encajada en el cargador.
- ◆ Enchufe el cargador y conéctelo a la red eléctrica.

El indicador de carga (10) parpadeará.

La carga habrá finalizado cuando el indicador de carga (10) pase a estar iluminado de manera continua. El cargador y la batería se pueden dejar conectados indefinidamente. Cuando, ocasionalmente, el cargador cargue la batería al máximo, se encenderá el indicador LED.

- ◆ Cargue las baterías descargadas en el plazo de 1 semana. La duración de la batería disminuirá considerablemente si se guarda descargada.

Dejar la batería en el cargador

El cargador y la batería pueden permanecer conectados durante un periodo de tiempo indefinido con el indicador LED iluminado. El cargador mantendrá la batería a baja temperatura y completamente cargada.

Diagnóstico del cargador

Si el cargador detecta que la batería dispone de poca energía o está dañada, el indicador de carga (10) parpadeará en rojo a gran velocidad. Realice el procedimiento siguiente:

- ◆ Vuelva a insertar la batería (7).
- ◆ Si los indicadores de carga continúan parpadeando en rojo a gran velocidad, utilice una batería diferente para determinar si el proceso de carga se efectúa correctamente.
- ◆ Si la batería sustituida se carga correctamente, significa que la batería original está defectuosa y que debe devolverla al centro de servicios para su reciclado.
- ◆ Si el cargador muestra la misma indicación con la batería nueva, llévelo a revisar a un centro de servicios autorizado.

Nota: puede llevar hasta 30 minutos determinar si la batería es defectuosa. Si la batería está demasiado caliente o demasiado fría, el indicador LED alternará parpadeos en rojo, rápidos y lentos, con un destello en cada rango de velocidad, y se repetirá la secuencia.

Encendido y apagado

- ◆ Para encender la herramienta, deslice el interruptor de desbloqueo (1) hacia delante y, a continuación, mantenga presionado el interruptor de accionamiento (2).
- ◆ Para apagar la herramienta, suelte el interruptor de accionamiento (2).

Advertencia. No apague ni encienda la herramienta mientras se está cargando.

Advertencia. Deslice siempre el interruptor de desbloqueo (1) hacia atrás, que es la posición de bloqueo cuando la herramienta no se utiliza.

Consejos por un uso óptimo

- ◆ Sujete firmemente la herramienta con una mano alrededor de la empuñadura lateral y con la otra mano alrededor de la empuñadura principal.

Amolado de superficies con discos para amolar

- ◆ Deje que la herramienta alcance la velocidad máxima antes de ponerla en contacto con la superficie de trabajo.
- ◆ Aplique la presión mínima sobre la superficie de trabajo, dejando que la herramienta funcione a mayor velocidad. La velocidad de amolado será mayor cuando la herramienta opere a mayor velocidad.
- ◆ Mantenga un ángulo de 20 a 30 grados entre la herramienta y la superficie de trabajo.
- ◆ Mueva continuamente la herramienta hacia delante y hacia atrás para evitar que se creen estrías en la superficie de trabajo.
- ◆ Retire la herramienta de la superficie de trabajo antes de apagarla. Deje que la herramienta deje de rotar antes de tumbarla.

Amolado de bordes con discos para amolar

Los discos que se utilizan para cortar y amolar bordes podrían romperse o rebotar si se doblan o se giran mientras se utiliza la herramienta para realizar tareas de corte o amolado profundo. Para reducir el riesgo de daños graves, limite el uso de estos discos con un protector tipo 27 estándar para cortes poco profundos y cortes angulares (inferiores a 13 mm (1/2 pulgadas) de profundidad). La parte abierta del protector deberá colocarse lejos del operador. Para realizar un corte más profundo con un disco de corte de Tipo 1, utilice un protector cerrado de Tipo 1. Consulte la tabla de amolado y corte que puede encontrar en la parte posterior de la sección de idioma.

- ◆ Deje que la herramienta alcance la velocidad máxima antes de ponerla en contacto con la superficie de trabajo.
- ◆ Aplique la presión mínima sobre la superficie de trabajo, dejando que la herramienta funcione a mayor velocidad. La velocidad de amolado será mayor cuando la herramienta opere a mayor velocidad.
- ◆ Colóquese de forma que la parte inferior abierta del disco se dirija lejos de usted.
- ◆ Una vez que empiece el corte y que haga una muesca en la zona de trabajo, no cambie el ángulo de corte. Si cambia el ángulo, el disco se doblará y es posible que se parta. Los discos para amolado de bordes no han sido diseñados para soportar presiones laterales causadas por doblados.
- ◆ Retire la herramienta de la superficie de trabajo antes de apagarla. Deje que la herramienta deje de rotar antes de tumbarla.

No utilice discos de corte/amolado de bordes para las aplicaciones de amolado superficial, ya que dichos discos no han sido diseñados para soportar presiones laterales derivadas del corte de superficie. Pueden producirse roturas de los discos y daños personales.

Acabado de superficies con discos de solapa de lijado

- ◆ Deje que la herramienta alcance la velocidad máxima antes de ponerla en contacto con la superficie de trabajo.
- ◆ Aplique la presión mínima sobre la superficie de trabajo, dejando que la herramienta funcione a mayor velocidad. La velocidad de lijado será mayor cuando la herramienta opere a mayor velocidad.
- ◆ Mantenga un ángulo de 5 a 10 grados entre la herramienta y la superficie de trabajo.
- ◆ Mueva continuamente la herramienta hacia delante y hacia atrás para evitar que se creen estrías en la superficie de trabajo.
- ◆ Retire la herramienta de la superficie de trabajo antes de apagarla. Deje que la herramienta deje de rotar antes de tumbarla.

Uso de platos de apoyo de lijado

Elija los discos de lijado de arena adecuada para su aplicación. Los discos de lijado se encuentran disponibles con varias arenas. Las arenas más duras operan más rápido en el retirado de material y dan un acabado más tosco.

Las arenas más finas operan más lento en el retirado de material y dan un acabado más uniforme.

Empiece con discos de arena dura para retirar el material de forma rápida y tosca. Cambie a una lija de arena mediana y termine con un disco de arena fina para lograr un acabado óptimo.

- ◆ Lija gruesa de grano 16 - 30
- ◆ Lija media de 36 - 80
- ◆ Lija para acabado fino de grano 100 - 120
- ◆ Lija para acabado muy fino de grano 150 - 180
- ◆ Deje que la herramienta alcance la velocidad máxima antes de ponerla en contacto con la superficie de trabajo.
- ◆ Aplique la presión mínima sobre la superficie de trabajo, dejando que la herramienta funcione a mayor velocidad. La velocidad de lijado será mayor cuando la herramienta opere a mayor velocidad.
- ◆ Mantenga un ángulo de 5 a 15 grados entre la herramienta y la superficie de trabajo. El disco de lijado debería entrar en contacto con la superficie de trabajo aproximadamente a 25 mm (1 pulgada).
- ◆ Mueva la herramienta constantemente en línea recta para evitar que la superficie de trabajo se queme o se doble. Si deja que la herramienta permanezca en la superficie de trabajo sin moverla o si mueve la herramienta de forma circular, provocará quemaduras y torcidos en la superficie de trabajo.
- ◆ Retire la herramienta de la superficie de trabajo antes de apagarla. Deje que la herramienta deje de rotar antes de tumbarla.

Uso de cepillos de muelas de alambre y de discos de alambre

Los discos y cepillos metálicos pueden utilizarse para retirar óxido, sarro y pintura, y para uniformar las superficies irregulares.

Nota: Deben tomarse las mismas precauciones al utilizar pintura de cepillado metálico y de lijado.

- ◆ Deje que la herramienta alcance la velocidad máxima antes de ponerla en contacto con la superficie de trabajo.
- ◆ Aplique la presión mínima sobre la superficie de trabajo, dejando que la herramienta funcione a mayor velocidad. La velocidad de retirada del material será mayor cuando la herramienta opere a mayor velocidad.
- ◆ Mantenga un ángulo de 5 a 10 grados entre la herramienta y la superficie de trabajo en caso de cepillos metálicos de copa.
- ◆ Mantenga en contacto el borde del disco y la superficie de trabajo en caso de discos metálicos.

- ◆ Mueva continuamente la herramienta hacia delante y hacia atrás para evitar que se creen estrías en la superficie de trabajo. Si deja que la herramienta permanezca en la superficie de trabajo sin moverla o si mueve la herramienta de forma circular, provocará quemaduras y torcidos en la superficie de trabajo.
- ◆ Retire la herramienta de la superficie de trabajo antes de apagarla. Deje que la herramienta deje de rotar antes de colocarla a un lado.

Preste especial atención cuando opere sobre un borde, ya que podrá registrar un movimiento repentino y afilado de la amoladora.

Precauciones que deben tomarse al utilizar pintura de cepillado metálico y de lijado

- ◆ SE DESACONSEJA el lijado de pintura a base de plomo debido a la dificultad de controlar el polvo contaminado. Los niños y las mujeres embarazadas están más expuestos al riesgo de intoxicación por plomo.
- ◆ Como resulta difícil identificar si una pintura contiene o no plomo sin efectuar análisis químicos, le aconsejamos que adopte las siguientes precauciones para lijar cualquier pintura:

Seguridad personal

- ◆ Ningún niño ni mujer embarazada deberá acceder a la zona de trabajo cuando se realice el lijado de pintura, hasta que se haya finalizado su limpieza.
- ◆ Todas las personas que accedan a la zona de trabajo deberán llevar una máscara de protección anti polvo o un respirador. El filtro deberá sustituirse a diario o cuando resulte difícil respirar.

Nota: Tan sólo deberá utilizar las máscaras antipolvo adecuadas para trabajar con polvo y humos derivados de la pintura a base de plomo. Las máscaras de pintura ordinarias no ofrecen esta protección. Acuda a su distribuidor local para obtener la protección respiratoria adecuada.

- ◆ NO INGERIA ALIMENTOS O BEBIDAS NI FUME en la zona de trabajo, para evitar ingerir partículas de pintura contaminadas. Los trabajadores deberán lavarse y limpiarse ANTES de comer, beber o fumar. Los artículos de comidas, bebidas o tabaco no deberán dejarse en la zona de trabajo ya que podrá depositarse polvo en los mismos.

Seguridad medioambiental

- ◆ Deberá retirar la pintura en modo de reducir al máximo la cantidad de polvo emitido.
- ◆ Las zonas en las que se retire la pintura deberán sellarse con una hoja de plástico de 4 mm de espesor.
- ◆ El lijado deberá realizarse en modo de reducir el arrastre de polvo de pintura fuera de la zona de trabajo.

Limpieza y eliminación

- ◆ Todas las superficies de la zona de trabajo deberán ser aspiradas y limpiadas totalmente todos los días mientras dure el trabajo de lijado. Las bolsas de filtros de aspiradoras deberán cambiarse frecuentemente.
- ◆ Las telas protectoras de plástico se deben recoger y tirar junto con los demás restos de polvo u otros escombros. Deberán colocarse en recipientes de desecho sellados y eliminarse utilizando los procedimientos de recogida de residuo habituales. Durante la limpieza, los niños y las mujeres embarazadas deberán mantenerse alejados de la zona de trabajo.
- ◆ Todos los juguetes, mobiliario lavable y utensilios utilizados por los niños deberán limpiarse completamente antes de volver a utilizarlos.

Uso de discos de corte

No utilice discos de corte/amolado de bordes para las aplicaciones de amolado superficial, ya que dichos discos no han sido diseñados para soportar presiones laterales derivadas del corte de superficie. Pueden producirse roturas de los discos y daños personales.

- ◆ Deje que la herramienta alcance la velocidad máxima antes de ponerla en contacto con la superficie de trabajo.
- ◆ Aplique la presión mínima sobre la superficie de trabajo, dejando que la herramienta funcione a mayor velocidad. La velocidad de corte será mayor cuando la herramienta opere a mayor velocidad.
- ◆ Una vez que empiece el corte y que haga una muesca en la zona de trabajo, no cambie el ángulo de corte. Si cambia el ángulo, el disco se doblará y es posible que se parta.
- ◆ Retire la herramienta de la superficie de trabajo antes de apagarla. Deje que la herramienta deje de rotar antes de colocarla a un lado.

Mantenimiento

La herramienta de Stanley Fat Max se ha diseñado para que funcione durante un largo período de tiempo con un mantenimiento mínimo. El funcionamiento satisfactorio y continuo depende del buen cuidado de la herramienta y de una limpieza frecuente.

El cargador no requiere ningún mantenimiento especial excepto la limpieza periódica.

Advertencia. Antes de realizar el mantenimiento de herramientas eléctricas con o sin cables:

- ◆ Apague y desenchufe el aparato o herramienta.
- ◆ O bien, apague y extraiga el conjunto de la batería del aparato o herramienta, en caso de que disponga de una batería separada.

- ◆ O bien, deje que el conjunto de la batería se agote por completo si es integral y, a continuación, apague el aparato.
- ◆ Desenchufe el cargador antes de limpiarlo. El cargador no requiere ningún mantenimiento especial excepto la limpieza periódica.
- ◆ Limpie periódicamente las ranuras de ventilación de la herramienta, aparato o cargador con un cepillo suave o un paño seco.
- ◆ Limpie periódicamente la carcasa del motor con un paño húmedo. No utilice limpiadores abrasivos o a base de disolventes.
- ◆ Abra regularmente el portabrocas y golpéelo suavemente para eliminar los restos de polvo que haya en su interior (si se encuentra colocado).

Protección del medio ambiente



Recogida selectiva. Los productos y las baterías marcadas con este símbolo no se deben eliminar con los residuos domésticos normales.

Los productos y las baterías que contienen materiales que se puedan recuperar o reciclar reducen la demanda de materias primas.

Recicle los productos eléctricos y el conjunto de la batería de conformidad con la normativa local. Puede obtener más información en www.2helpU.com.

Datos técnicos

		FMC761 (H1)	
Tensión	V _{DC}	18	
Velocidad en vacío	Min ⁻¹	9,000	
Diámetro del disco	mm	125	
Diámetro interior del disco	mm	22	
Espesor máximo del disco			
Discos de amolado	mm	6	
Discos de corte	mm	3,5	
Diámetro del eje			M14
Longitud del eje (con la brida interior encajada)	mm	14	
Longitud del eje (sin la brida interior encajada)	mm	19,5	
Peso	kg	2,9	

		905998**	906086**
Cargador			
Voltaje de entrada	V _{AC}	230	230
Voltaje de salida	V _{DC}	18	18
Corriente	A	1	2
Tiempo de carga aproximado	min	90-240	45-120

		FMC685L	FMC687L	FMC688L
Batería				
Tensión	V _{AC}	18	18	18
Capacidad	Ah	1,5	2,0	4,0
Tipo		Litio-ión	Litio-ión	Litio-ión

Nivel de presión acústica de acuerdo con la norma EN 60745:
Presión acústica (L_{pA}) 80,5 dB(A), incertidumbre (K) 3 dB(A)
Potencia acústica (L_{WA}) 91,5 dB(A), incertidumbre (K) 3 dB(A)
Valores totales de vibración (suma vectorial triaxial) de acuerdo con la directiva EN 60745:
Amolado de superficie ($a_{h,eq}$) 3,9 m/s ² , incertidumbre (K) 1,5 m/s ²
Pulido ($a_{h,p}$) 2,0 m/s ² , incertidumbre (K) 1,5 m/s ²
Lijado de disco ($a_{h,eq}$) 4,5 m/s ² , incertidumbre (K) 1,5 m/s ²
Nivel de presión acústica de acuerdo con la norma EN 60745:
Presión acústica (L_{pA}) 80,5 dB(A), incertidumbre (K) 3 dB(A)
Potencia acústica (L_{WA}) 91,5 dB(A), incertidumbre (K) 3 dB(A)

válida dentro de los territorios de los Estados Miembros de la Unión Europea y del Área de Libre Comercio Europea.

Para reclamar la garantía, la reclamación se debe presentar de conformidad con las condiciones de Stanley Fat Max. Tendrá que adjuntar un justificante de compra al vendedor o al agente técnico autorizado. Las condiciones de la garantía de 1 año de Stanley Fat Max y la ubicación de su agente técnico autorizado más cercano se pueden obtener en Internet en www.2helpU.com o poniéndose en contacto con su oficina local de Stanley Fat Max en la dirección que se indica en este manual.

Visite nuestro sitio web www.stanley.eu/3 y registre su nuevo producto Stanley Fat Max para mantenerse al día sobre los nuevos productos y las ofertas especiales.

Precaución. Las aplicaciones como el pulido o el cepillado pueden tener distintas emisiones de vibraciones.

Declaración de conformidad CE

DIRECTIVA DE MÁQUINAS



FMC761 - Lijadora angular sin cable

Stanley Fat Max declara que los productos descritos en la "ficha técnica" cumplen las siguientes normas: EN60745-1:2009+A11:2010, EN60745-2-3:2011+A12:2014

Estos productos también cumplen la directiva 2006/42/EC, 2014/30/EU y 2011/65/EU.

Si desea obtener más información, póngase en contacto con Stanley Fat Max a través de la siguiente dirección o consulte el dorso del manual.

El que suscribe es responsable de la compilación del archivo técnico y realiza esta declaración en nombre de Stanley Fat Max.

R. Laverick
Director de Ingeniería
Stanley Fat Max Europe, Egide Walschaertsstraat 14-18,
2800 Mechelen, Bélgica
01/10/2018

Garantía

Stanley Fat Max confía en la calidad de sus productos y ofrece a los consumidores una garantía de 12 meses a partir de la fecha de compra. Esta garantía es adicional a sus derechos legales y no los menoscaba en modo alguno. La garantía es

Utilização pretendida

O esmerilador angular Stanley Fat Max FMC761 foi concebido para esmerilar e cortar metal e pedra com o tipo correcto de disco de corte ou esmeril. A ferramenta deve ser montada com a protecção adequada. Esta ferramenta destina-se a utilização profissional bem como a utilizadores privados não profissionais.

Instruções de segurança

Avisos de segurança gerais para ferramentas eléctricas



Atenção! Leia todos os avisos de segurança e todas as instruções. O não cumprimento dos seguintes avisos e instruções pode resultar em choque eléctrico, incêndio e/ou graves lesões.

Guarde todos os avisos e instruções para futura referência. A expressão "ferramenta eléctrica" utilizada a seguir refere-se a ferramentas eléctricas com ligação à corrente eléctrica (com cabo) ou com bateria (sem fios).

1. Segurança na área de trabalho

- Mantenha a área de trabalho limpa e bem iluminada.** As áreas desorganizadas ou escuras são propensas a acidentes.
- Não trabalhe com ferramentas eléctricas em áreas com risco de explosão, nas quais se encontrem líquidos, gases ou poeiras inflamáveis.** As ferramentas eléctricas criam faíscas que poderão inflamar estas poeiras ou vapores.
- Mantenha crianças e outras pessoas afastadas durante a utilização da ferramenta eléctrica.** As distrações podem levar à perda do controlo da ferramenta.

2. Segurança eléctrica

- As fichas da ferramenta eléctrica devem encaixar na tomada. Nunca modifique a ficha de forma alguma. Não utilize fichas adaptadoras com ferramentas eléctricas ligadas à terra.** As fichas não modificadas e as tomadas compatíveis reduzem o risco de choque eléctrico.
- Evite que o corpo entre em contacto com superfícies ligadas à terra, como tubos, radiadores, fogões e frigoríficos.** Se o seu corpo estiver "ligado" à terra, o risco de choque eléctrico é maior.
- As ferramentas eléctricas não podem ser expostas a chuva nem humidade.** A entrada de água numa ferramenta eléctrica aumenta o risco de choque eléctrico.
- Manuseie o cabo com cuidado. Nunca o utilize para transportar, puxar ou desligar a ferramenta eléctrica.**

Mantenha o cabo afastado de fontes de calor, substâncias oleosas, extremidades aguçadas ou peças móveis. Os cabos danificados ou emaranhados aumentam o risco de choque eléctrico.

- Quando trabalhar com uma ferramenta eléctrica ao ar livre, utilize uma extensão adequada para esse fim.** A utilização de um cabo adequado para uso ao ar livre reduz o risco de choque eléctrico.
- Se for inevitável trabalhar com uma ferramenta eléctrica num local húmido, utilize um dispositivo de corrente residual (RCD).** A utilização de um DCR reduz o risco de choque eléctrico.

3. Segurança pessoal

- Mantenha-se atento, observe o que está a fazer e seja prudente quando trabalhar com a ferramenta eléctrica. Não utilize uma ferramenta eléctrica quando estiver cansado ou sob o efeito de drogas, álcool ou medicamentos.** Um momento de distração durante a utilização de ferramentas eléctricas poderá resultar em ferimentos graves.
- Utilize equipamento de protecção pessoal. Use sempre uma protecção ocular.** O equipamento de protecção, como, por exemplo, uma máscara contra o pó, sapatos de segurança antiderrapantes, um capacete de segurança ou uma protecção auditiva, usado nas condições apropriadas, reduz o risco de ferimentos.
- Evite arranques involuntários. Certifique-se de que o botão está desligado antes de ligar a ferramenta à corrente eléctrica e/ou à bateria, e antes de pegar ou transportar a ferramenta.** Se mantiver o dedo sobre o interruptor ao transportar ferramentas eléctricas ou se as ligar à fonte de alimentação com o interruptor ligado, poderá dar origem a acidentes.
- Retire eventuais chaves de ajuste ou chaves de fendas antes de ligar a ferramenta eléctrica.** Uma chave de fenda ou de ajuste que se encontre numa peça em rotação da ferramenta eléctrica poderá causar lesões.
- Não tente chegar a pontos fora do alcance. Mantenha sempre os pés bem apoiados e um equilíbrio apropriado.** Desta forma, será mais fácil controlar a ferramenta eléctrica em situações inesperadas.
- Use vestuário adequado. Não use roupa larga nem jóias. Mantenha o cabelo, a roupa e as luvas afastados das peças móveis.** As roupas largas, as jóias ou o cabelo comprido podem ficar presos nestas peças.
- Se for prevista a montagem de dispositivos de extracção e recolha de poeiras, assegure-se de que estão ligados e que são utilizados de forma correcta.** A utilização de dispositivos de extracção de partículas pode reduzir os riscos relacionados com as mesmas.

4. **Utilização e manutenção da ferramenta eléctrica**
- Não sobrecarregue a ferramenta eléctrica. Utilize a ferramenta eléctrica correcta para o seu trabalho.** A ferramenta eléctrica adequada irá efectuar o trabalho de um modo mais eficiente e seguro se for utilizada de acordo com a capacidade para a qual foi concebida.
 - Não utilize a ferramenta eléctrica se o interruptor não puder ser ligado ou desligado.** Qualquer ferramenta eléctrica que não possa ser controlada através do interruptor de alimentação é perigosa e tem de ser reparada.
 - Desligue a ficha da tomada e/ou a bateria da ferramenta eléctrica antes de proceder a ajustes, trocar acessórios ou guardar ferramentas eléctricas.** Estas medidas de segurança preventivas reduzem o risco de ligar a ferramenta eléctrica acidentalmente.
 - Mantenha as ferramentas eléctricas que não estiverem a ser utilizadas fora do alcance das crianças. Não permita que a ferramenta eléctrica seja utilizada por pessoas não familiarizadas com a mesma ou que não tenham lido estas instruções.** As ferramentas eléctricas são perigosas nas mãos de pessoas que não possuam as qualificações necessárias para as manusear.
 - Proceda à manutenção das ferramentas eléctricas. Verifique se as partes móveis estão desalinhasadas ou bloqueadas, se existem peças partidas ou qualquer outra situação que possa afectar o funcionamento das ferramentas eléctricas. Se a ferramenta eléctrica estiver danificada, esta não deve ser utilizada até que seja reparada.** Muitos acidentes têm como principal causa ferramentas eléctricas com uma manutenção insuficiente.
 - Mantenha as ferramentas de corte afiadas e limpas.** As ferramentas de corte sujeitas a uma manutenção adequada, com arestas de corte afiadas, emperram com menos frequência e controlam-se com maior facilidade.
 - Utilize a ferramenta eléctrica, os acessórios e as peças de ferramenta, etc., de acordo com estas instruções, considerando as condições de trabalho e a tarefa a ser executada.** A utilização da ferramenta eléctrica para fins diferentes dos previstos poderá resultar em situações perigosas.
5. **Utilização e cuidados a ter com a ferramenta com pilhas**
- Carregue apenas com o carregador especificado pelo fabricante.** Um carregador adequado para um tipo de bateria pode causar um incêndio se for utilizado com outra bateria.
 - Utilize ferramentas eléctricas apenas com baterias específicas.** A utilização de outras baterias pode dar origem a risco de danos e incêndio.

- Quando não utilizar a pilha, mantenha-a afastada de outros objectos metálicos, tais como cliques para papel, moedas, chaves, pregos, parafusos ou outros pequenos objectos metálicos que permitam fazer a ligação de um terminal para outro.** O curto-circuito de terminais das pilhas pode causar queimaduras ou incêndio.
 - Em condições abusivas, pode derramar líquido da pilha, devendo evitar o contacto. Se tocar acidentalmente no líquido, lave bem com água. Se o líquido entrar em contacto com os olhos, consulte um médico.** O líquido derramado da bateria pode causar irritação ou queimaduras.
6. **Assistência**
- A sua ferramenta eléctrica só deve ser reparada por pessoal qualificado e só devem ser colocadas peças sobressalentes originais.** Desta forma, é garantida a segurança da ferramenta eléctrica.

Avisos de segurança adicionais para ferramentas eléctricas



Atenção! Avisos de segurança adicionais para operações de esmerilação, lixada, escovagem metálica, polimento ou corte abrasivo.

- ◆ Esta ferramenta eléctrica destina-se a ser utilizada como esmeriladora, lixadora, escova metálica, polidora ou ferramenta de corte. Leia todos os avisos de segurança, instruções, ilustrações e especificações fornecidas com esta ferramenta eléctrica. O não cumprimento de todas as instruções indicadas abaixo pode resultar em choque eléctrico, incêndio e/ou lesões graves.
- ◆ As operações para as quais a ferramenta eléctrica não foi concebida poderão criar perigo e causar ferimentos.
- ◆ Não utilize acessórios que não sejam especificamente concebidos e recomendados pelo fabricante da ferramenta. O facto de um acessório poder ser instalado na sua ferramenta eléctrica não garante um funcionamento seguro do mesmo.
- ◆ A velocidade nominal do acessório deve ser, pelo menos, igual à velocidade máxima assinalada na ferramenta eléctrica. Os acessórios que forem utilizados a uma velocidade superior à respectiva velocidade nominal poderão fragmentar-se e projectar esses fragmentos
- ◆ O diâmetro exterior e a espessura do acessório devem estar dentro dos limites de capacidade da ferramenta eléctrica. Não será possível proteger ou controlar de forma adequada acessórios com o tamanho incorrecto.

- ◆ Ao enroscar acessórios, estes devem coincidir com a rosca do eixo do esmerilador. No que respeita a acessórios montados com flanges, o orifício de fixação do acessório deve corresponder ao diâmetro de localização da flange. Os acessórios que não correspondam ao tamanho dos elementos de montagem da ferramenta eléctrica irão funcionar de forma desequilibrada e vibrar de modo excessivo, podendo causar a perda do controlo da ferramenta.
- ◆ Não utilize um acessório danificado. Antes de cada utilização, inspecione os acessórios, procurando danos nos mesmos. Por exemplo, procure rachas e fendas nos discos abrasivos, fendas nos discos de apoio, danos ou desgaste excessivo e arames soltos ou partidos nas catruchas. Se deixar cair a ferramenta eléctrica ou os acessórios, verifique se apresenta danos ou instale um acessório sem danos. Após inspecionar e instalar um acessório, coloque-se a si mesmo e quaisquer outras pessoas presentes no local numa posição afastada do ângulo de trabalho do acessório rotativo e ligue a ferramenta eléctrica na respectiva velocidade máxima em vazio durante um minuto. Os acessórios danificados irão normalmente fragmentar-se durante este período de teste.
- ◆ Use equipamento de protecção pessoal. Dependendo da operação, use uma viseira ou óculos de protecção. De acordo com o necessário, use uma máscara contra o pó, protectores auditivos, luvas e um avaral de trabalho capaz de o proteger contra pequenos fragmentos abrasivos ou da peça de trabalho. A protecção ocular tem de ser capaz de o proteger contra a projecção de detritos resultantes de várias operações. A máscara anti-poeira ou o respirador deve ser capaz de filtrar partículas geradas pelo que está a fazer. A exposição prolongada a ruídos de elevada intensidade poderá causar perda de audição.
- ◆ Mantenha as pessoas a uma distância segura da área de trabalho. Qualquer pessoa que entre no perímetro da área de trabalho tem de usar equipamento de protecção pessoal. Poderá dar-se o caso de fragmentos da peça de trabalho ou de um acessório partido serem projectados para longe e causarem ferimentos fora da área de trabalho imediata.
- ◆ Segure a ferramenta eléctrica apenas pelas superfícies isoladas específicas para o efeito ao efectuar uma operação em que o acessório de corte possa entrar em contacto com fios ocultos ou com o próprio cabo da ferramenta. O acessório de corte que entre em contacto com um fio com tensão eléctrica poderão fazer com que as peças de metal expostas da ferramenta conduzam electricidade e electrocutem o utilizador.

- ◆ Afaste o cabo do acessório rotativo. Se perder o controlo da ferramenta, o cabo poderá ser cortado ou ficar preso no acessório, puxando a sua mão ou o seu braço na direcção do acessório rotativo.
- ◆ Nunca largue a ferramenta eléctrica até que o acessório pare completamente. Caso contrário, o acessório rotativo poderá ficar preso na superfície onde pousou a ferramenta eléctrica e puxá-la para longe das suas mãos, fazendo-o perder o controlo da mesma.
- ◆ Não trabalhe com a ferramenta eléctrica enquanto a tiver a tira colo. Um contacto acidental do acessório rotativo com a sua roupa poderá prendê-la no mesmo, puxando o acessório na direcção do seu corpo.
- ◆ Limpe regularmente as condutas de ventilação da ferramenta eléctrica. A ventoinha do motor irá puxar as partículas para o interior da caixa da ferramenta e a acumulação excessiva de metal pulverizado pode causar perigos eléctricos.
- ◆ Não utilize a ferramenta eléctrica perto de materiais inflamáveis. Estes materiais poderão ser inflamados por faíscas da ferramenta.
- ◆ Não utilize acessórios que necessitem de líquidos refrigerantes. A utilização de água ou outros líquidos de refrigeração poderá resultar em electrocussão ou choque eléctrico.

Nota: O aviso anterior não se aplica a ferramentas eléctricas especificamente concebidas para utilizar com um sistema líquido.

Contra-golpes e avisos relacionados

O efeito de coice é uma reacção súbita resultante do aperto ou bloqueio de um disco rotativo, de um disco de suporte, de uma catrucha ou de qualquer outro acessório. Elementos entalados ou presos provocam o rápido encravamento do acessório rotativo, o que, por sua vez, faz com que a ferramenta eléctrica descontrolada seja forçada na direcção oposta à rotação do acessório no ponto de ligação.

Por exemplo, se um disco abrasivo ficar preso ou for apertado pela peça de trabalho, a extremidade do disco que estiver em contacto com o ponto de aperto pode penetrar a superfície do material, fazendo o disco subir ou saltar da peça. A roda pode saltar no sentido do operador ou afastar-se dele, dependendo da direcção do movimento da roda no ponto de entalamento. Os discos abrasivos podem também partir-se nestas condições.

Um contra-golpe é o resultado de uma utilização errada da ferramenta e/ou de procedimentos ou condições de utilização incorrectos, podendo ser evitado com medidas de precaução apropriadas, conforme descrito em seguida.

- ◆ **Segure firmemente a ferramenta eléctrica e posicione o corpo e o braço de modo a permitir resistência às forças de um contra-golpe. Utilize sempre o punho auxiliar, se existir, para controlar ao máximo o contra-golpe ou a reacção ao binário quando liga a ferramenta.** O operador pode controlar as reacções ao binário ou forças de contra-golpe, tomando as precauções adequadas.
- ◆ **Nunca coloque a mão perto do acessório rotativo.** O efeito de coice poderá fazer o acessório saltar para cima da sua mão.
- ◆ **Não posicione o corpo na área em que a ferramenta eléctrica passará se ocorrer um contra-golpe.** O contra-golpe impulsionará a ferramenta na direcção oposta ao movimento da roda no ponto em que ficar entalada.
- ◆ **Tenha muito cuidado quando trabalhar em cantos, extremidades afiadas, etc. Evite balançar e entalar o acessório.** Os cantos, as extremidades aguçadas ou o facto de o acessório rotativo saltar tendem a fazê-lo ficar preso na peça de trabalho e, conseqüentemente, a causar a perda do controlo da ferramenta ou a ocorrência do efeito de coice.
- ◆ **Não ligue uma lâmina de entalhar madeira de corrente ou uma lâmina de serra com dentes.** Estas lâminas originam frequentemente o efeito de coice e a perda do controlo da ferramenta.

Avisos de Segurança Específicos para Operações de Esmerilação e Corte Abrasivo:

- ◆ **Utilize apenas tipos de rodas recomendadas para a ferramenta eléctrica e a protecção específica concebida para a roda seleccionada.** Os discos para os quais a ferramenta eléctrica não foi concebida não podem ser protegidos de forma adequada e, conseqüentemente, não são seguros.
- ◆ **A superfície de esmerilação das rodas centrais premidas deve ser montada abaixo da plaina do lábio de protecção.** Uma roda montada incorrectamente que fique saliente através da plaina da aba de protecção não dispõe de protecção adequada.
- ◆ **A protecção deverá estar bem fixada à ferramenta e posicionada de forma a proporcionar a máxima segurança, de forma a que o operador esteja exposto à menor extensão de roda possível.** A protecção ajuda a proteger o operador contra fragmentos de roda partidos, contacto accidental com a roda e faíscas que podem inflamar roupas.
- ◆ **As rodas só devem ser utilizadas para as aplicações recomendadas. Por exemplo, não desbaste materiais com a parte lateral de um disco de corte.** Os discos de corte abrasivos destinam-se a efectuar desbastes periféricos e qualquer pressão lateral aplicada nestes discos poderá parti-los.

- ◆ **Utilize sempre flanges de rodas não danificadas com o tamanho e a forma correctos para a roda seleccionada.** Flanges de rodas correctas suportam a roda, reduzindo a possibilidade desta se partir. Os encaixes para discos de corte poderão ser diferentes dos encaixes para discos de desbaste.
- ◆ **Não utilize rodas desgastadas de ferramentas eléctricas maiores.** Os discos concebidos para ferramentas eléctricas maiores não são adequados para a velocidade mais alta de uma ferramenta mais pequena e poderão fragmentar-se.

Avisos de segurança adicionais específicos para operações de corte abrasivo

- ◆ **Não “encrave” a roda de corte nem aplique pressão excessiva. Não efectue cortes excessivamente profundos.** Uma pressão excessiva sobre a roda aumenta a carga e a susceptibilidade de torcer ou bloquear a roda durante o corte, bem como a possibilidade de contra-golpe ou de a roda se partir.
- ◆ **Não posicione o corpo alinhado e atrás da roda rotativa.** Quando a roda, no ponto de funcionamento, se estiver a afastar do seu corpo, um possível contra-golpe poderá impulsionar a roda e a ferramenta eléctrica directamente para si.
- ◆ **Quando a roda estiver a ficar bloqueada ou quando interromper um corte por qualquer motivo, desligue a ferramenta eléctrica e mantenha-a imóvel até que a roda pare completamente. Nunca retire o disco de corte do corte enquanto o disco estiver em movimento. Caso contrário, poderá ocorrer o efeito de coice.** Investigue e tome acções correctivas para eliminar a causa do bloqueio do disco.
- ◆ **Não reinicie a operação de corte na peça. Deixe o disco alcançar a velocidade máxima e coloque a serra com cuidado no local do corte.** A roda poderá subir ou saltar da peça de trabalho ou emperrar se a ferramenta eléctrica for reiniciada em contacto com a peça.
- ◆ **Apoie painéis ou qualquer peça de grandes dimensões para minimizar o risco de prisão da roda e de contra-golpe.** As peças de trabalho de grandes dimensões tendem a vergar sobre o seu próprio peso. É necessário colocar suportes por baixo da peça de trabalho em ambos os lados do disco, perto da linha de corte e da extremidade da peça.
- ◆ **Tenha especial cuidado quando efectuar um corte directo em paredes existentes ou outras áreas ocultas.** O disco poderá cortar a canalização de gás ou água, a cablagem eléctrica ou outros objectos que podem causar o efeito de coice.

Avisos de segurança específicos para operações de lixar

- ◆ **Não utilize papel de disco para lixar com dimensões excessivas. Siga as recomendações dos fabricantes quando seleccionar o papel para lixar.** Uma lixa com um tamanho excessivo que ultrapasse o limite do disco de suporte representa um risco de dilaceração e poderá fazer o disco ficar preso ou danificado, ou causar a ocorrência do efeito de coice.

Avisos de segurança específicos para operações de polimento

- ◆ **Não permita que partes soltas da cobertura de polimento ou respectivos fios de ligação rodem livremente. Esconda ou corte quaisquer fios de fixação soltos.** Os fios de fixação soltos a rodar podem prender os seus dedos ou ficar presos na peça de trabalho.

Avisos de segurança específicos para operações de escovagem metálica

- ◆ **Tenha em atenção que a escova projecta cerdas metálicas, mesmo durante o funcionamento normal. Não utilize a catrabucha de forma forçada.** Os filamentos podem penetrar facilmente a pele e/ou a roupa leve.
- ◆ **Se for recomendada a utilização de um protecção para escovagem metálica, não permita qualquer interferência da roda metálica ou da escova com a protecção.** A roda ou a escova metálica pode aumentar de diâmetro devido à carga de trabalho e às forças centrífugas.



Atenção! O contacto ou a inalação de poeiras originadas pelas aplicações da lixadora poderá colocar em perigo a saúde do operador ou das pessoas presentes. Utilize uma máscara especificamente concebida para protecção contra poeiras e vapores e certifique-se de que as pessoas perto da área de trabalho também estão protegidas.

Segurança de terceiros

- ◆ Este aparelho pode ser utilizado por crianças com 8 anos de idade ou mais e por pessoas que apresentem capacidades físicas, sensoriais ou mentais reduzidas ou que não possuam os conhecimentos e a experiência necessários, se forem vigiadas e instruídas acerca da utilização do aparelho de uma forma segura e entenderem os perigos envolvidos.
- ◆ As crianças não devem brincar com o aparelho. A limpeza e manutenção não deverão ser efectuadas por crianças sem supervisão.

Riscos residuais

Podem surgir riscos residuais adicionais durante a utilização da ferramenta, que poderão não constar nos avisos de segurança incluídos. Estes riscos podem resultar de má utilização, uso prolongado, etc.

Mesmo com o cumprimento dos regulamentos de segurança relevantes e a implementação de dispositivos de segurança, alguns riscos residuais não podem ser evitados. Estes incluem:

- ◆ Ferimentos causados pelo contacto com peças em rotação/movimento.
- ◆ Ferimentos causados durante a troca de peças, lâminas ou acessórios.
- ◆ Ferimentos causados pela utilização prolongada de uma ferramenta. Quando utilizar uma ferramenta durante períodos prolongados, certifique-se de que faz pausas regularmente.
- ◆ Danos auditivos.
- ◆ Problemas de saúde causados pela inalação de poeiras resultantes da utilização da ferramenta (exemplo: trabalhos em madeira, especialmente carvalho, faia e MDF (painel de fibras de média densidade).)

Vibração

Os valores de emissão de vibração declarados na secção de dados técnicos e na declaração de conformidade foram medidos de acordo com o método de teste padrão fornecido pela norma EN 60745 e podem ser utilizados para comparar ferramentas. O valor de emissão de vibração declarado pode ainda ser utilizado numa avaliação preliminar de exposição.

Atenção! O valor de emissão de vibração durante a utilização real da ferramenta eléctrica pode ser diferente do valor declarado, dependendo da forma como a ferramenta é utilizada. O nível de vibração pode aumentar acima do nível indicado.

Quando avaliar a exposição da vibração para determinar as medidas de segurança exigidas pela Directiva 2002/44/CE para proteger pessoas que utilizem regularmente ferramentas eléctricas na sua actividade profissional, deve ser considerada uma estimativa de exposição de vibração, as condições reais de utilização e o modo de utilização da ferramenta, incluindo ainda todas as partes do ciclo de funcionamento, como os períodos de inactividade e espera da ferramenta, para além do tempo de funcionamento.

Etiquetas colocadas na ferramenta

A ferramenta apresenta os seguintes símbolos de aviso juntamente com o código de data:



Atenção! Para reduzir o risco de ferimentos, o utilizador deve ler o manual de instruções.



Utilize óculos ou viseiras de protecção quando utilizar esta ferramenta.



Utilize protectores dos ouvidos quando utilizar esta ferramenta.

Instruções de segurança adicionais para baterias e carregadores

Baterias

- ◆ Nunca tente abrir a bateria, seja qual for o motivo.
- ◆ Não exponha a bateria à água.
- ◆ Não armazene em locais onde a temperatura possa exceder os 40 °C.
- ◆ Carregue apenas a temperaturas ambiente entre 10 °C e 40 °C.
- ◆ Carregue apenas com o carregador fornecido com a ferramenta.
- ◆ Quando eliminar as baterias, siga as instruções da secção " Protecção do ambiente".



Não tente carregar baterias danificadas.

Carregadores

- ◆ Utilize o carregador Stanley Fat Max apenas para carregar a bateria na ferramenta respectiva. Outras baterias podem rebentar, provocando ferimentos e danos.
- ◆ Nunca tente carregar baterias não recarregáveis.
- ◆ Substitua os cabos defeituosos imediatamente.
- ◆ Não exponha o carregador à água.
- ◆ Não abra o carregador.
- ◆ Não abra o carregador.



O carregador deverá ser utilizado apenas em espaços interiores.



Antes da utilização, leia o manual de instruções.

Segurança eléctrica



O seu carregador tem isolamento duplo. Por esse motivo, não precisa de ligação à terra. Verifique sempre se a tensão de alimentação corresponde à tensão indicada na placa de especificações. Nunca tente substituir a unidade do carregador por uma tomada de alimentação normal.

- ◆ Se o cabo de alimentação estiver danificado, terá de ser substituído pelo fabricante ou por um centro de assistência autorizado Stanley Fat Max para evitar acidentes.

Componentes

Este aparelho inclui algumas ou todas as seguintes características.

1. Botão de bloqueio
2. Interruptor de accionamento
3. Punho lateral
4. Bloqueio do veio
5. Protecção para esmerilação
6. Disco de esmerilação
7. Bateria
8. Chave-inglesa de dois pinos

Fig. A

9. Carregador da bateria
10. Indicador de carga

Utilização

Atenção! Não altere o ritmo de funcionamento da ferramenta. Não sobrecarregue.

- ◆ Esteja preparado para uma torrente de faíscas quando o disco de esmerilação ou corte tocar na peça.
- ◆ Posicione sempre a ferramenta de forma a que a protecção contra o disco de esmerilação ou corte seja a ideal.

Carregar a bateria (fig. A)

A bateria precisa de ser carregada antes da primeira utilização e sempre que não conseguir produzir energia suficiente em trabalhos anteriormente feitos sem dificuldade. A bateria pode aquecer durante o carregamento. Isto é normal e não indica um problema.

Atenção! Não carregue a bateria a temperaturas ambiente inferiores a 10 °C ou superiores a 40 °C. Temperatura de carregamento recomendada: aproximadamente 24 °C.

Nota: O carregador não irá carregar a bateria se a temperatura das células for inferior a 10 °C ou superior a 40 °C. A bateria não deve ser retirada do carregador para que este comece a carregar automaticamente quando a temperatura das células aquecer ou arrefecer.

- ◆ Para carregar a bateria (7), insira-a no carregador (9). A bateria apenas pode ser colocada no carregador de uma forma. Não force o movimento de corte. Certifique-se de que a bateria está completamente introduzida no carregador.
- ◆ Ligue a ficha do carregador e ligue-o à corrente. O indicador de carga (10) estará intermitente. O carregamento está concluído quando a luz do indicador de carga (10) ficar acesa de forma contínua. O carregador e a bateria podem ficar ligados indefinidamente. O LED acende-se quando o carregador ocasionalmente preenche a carga da bateria.

- ◆ As baterias descarregadas devem ser carregadas no espaço de 1 semana. A vida útil de uma bateria diminuirá consideravelmente se for guardada sem carga.

Deixar a bateria no carregador

O carregador e a bateria podem permanecer ligados com o LED aceso indefinidamente. O carregador irá manter a bateria completamente carregada.

Diagnóstico do carregador

Se o carregador detectar uma bateria fraca ou danificada, o indicador de carga (10) piscará rapidamente a vermelho. Proceda da seguinte forma:

- ◆ Insira novamente a bateria (7).
- ◆ Se os indicadores de carga continuarem a piscar rapidamente a vermelho, utilize uma bateria diferente para determinar se o processo de carga está a funcionar correctamente.
- ◆ Se a bateria de substituição carregar correctamente, isso significa a bateria original está defeituosa e deve ser entregue num centro de serviço para reciclagem.
- ◆ Se a bateria nova der a mesma indicação que a bateria original, leve o carregador até um centro de assistência autorizado para ser testado.

Nota: determinar se a bateria está defeituosa pode demorar até 30 minutos. Se a bateria estiver demasiado quente ou fria, o LED piscará alternadamente de modo rápido e lento, piscando uma vez a cada velocidade e repetindo o processo.

Ligar e desligar

- ◆ Para ligar, faça deslizar o interruptor de desbloqueio (1) para a frente e, em seguida, pressione e segure o interruptor de gatilho (2).
- ◆ Para desligar, solte o interruptor de gatilho (2).

Atenção! Não ligue nem desligue a ferramenta sob carga. **Atenção!** Faça sempre deslizar o interruptor de desbloqueio (1) para trás, na posição de bloqueado, quando a ferramenta não estiver a ser utilizada.

Sugestões para uma utilização óptima

- ◆ Segure com firmeza a ferramenta com uma mão no punho lateral e a outra no punho principal.

Esmerilação da superfície com rodas de esmerilação

- ◆ Deixe a ferramenta alcançar a velocidade máxima antes de tocar na superfície de trabalho.
- ◆ Aplique uma pressão mínima na superfície de trabalho, para que a ferramenta funcione a uma velocidade elevada. A velocidade de esmerilagem é a mais elevada se a ferramenta funcionar a uma velocidade elevada.

- ◆ Mantenha um ângulo de 20° a 30° entre a ferramenta e a superfície de trabalho.
- ◆ Mova continuamente a ferramenta num movimento para a frente e para trás para evitar a criação de goivas na superfície de trabalho.
- ◆ Retire a ferramenta da superfície de trabalho antes de a desligar. Deixe a ferramenta parar de rodar antes de a pousar.

Esmerilação da extremidade com rodas de esmerilação

As rodas utilizadas para o corte e a esmerilação da extremidade podem romper-se ou provocar um contra-golpe se forem dobradas ou rodadas enquanto a ferramenta estiver a ser utilizada para realizar trabalhos de corte ou esmerilação profunda. Para reduzir o risco de lesões graves, limite a utilização destas rodas com uma protecção Tipo 27 para cortes superficiais e entalhamento (inferior a 1/2 pol. (13 mm) em profundidade). O lado aberto da protecção deve estar afastado do operador. Se quiser efectuar cortes mais profundos com um disco de corte Tipo 1, utilize uma protecção fechada do Tipo 1. Consulte o gráfico de corte e esmerilação que se encontra na parte posterior da secção de idiomas.

- ◆ Deixe a ferramenta alcançar a velocidade máxima antes de tocar na superfície de trabalho.
- ◆ Aplique uma pressão mínima na superfície de trabalho, para que a ferramenta funcione a uma velocidade elevada. A velocidade de esmerilagem é a mais elevada se a ferramenta funcionar a uma velocidade elevada.
- ◆ Coloque-se de modo a que o lado aberto na parte inferior do disco fique afastado do operador.
- ◆ Depois de iniciar um corte e efectuar um entalhe na peça de trabalho, não altere o ângulo do corte. Se alterar o ângulo, o disco pode dobrar e partir-se. Os discos de esmerilagem de bordos não foram concebidos para suportar pressões causadas pela dobragem.
- ◆ Retire a ferramenta da superfície de trabalho antes de a desligar. Deixe a ferramenta parar de rodar antes de a pousar.

Não utilize discos de esmerilagem de bordos/corte para tarefas de esmerilagem de superfícies, uma vez que os discos não foram concebidos para as pressões laterais que ocorrem durante a esmerilagem de superfícies. O disco pode partir-se e ocorrer ferimentos.

Acabamento da superfície com discos com aba de lixar

- ◆ Deixe a ferramenta alcançar a velocidade máxima antes de tocar na superfície de trabalho.
- ◆ Aplique uma pressão mínima na superfície de trabalho, para que a ferramenta funcione a uma velocidade elevada. A velocidade de polimento é a mais elevada se a ferramenta funcionar a uma velocidade elevada.

- ◆ Mantenha um ângulo de 5° a 10° entre a ferramenta e superfície de trabalho.
- ◆ Mova continuamente a ferramenta num movimento para a frente e para trás para evitar a criação de goivas na superfície de trabalho.
- ◆ Retire a ferramenta da superfície de trabalho antes de a desligar. Deixe a ferramenta parar de rodar antes de a pousar.

Utilizar protecções para lixar

Escolha os discos de polimento com a numeração adequada para a sua aplicação. Estão disponíveis discos abrasivos com várias numerações. As lixas com numeração mais grossa permitem obter velocidades de remoção mais rápidas e um acabamento mais grosseiro.

As lixas com numeração mais fina permitem obter velocidades de remoção mais lentas e um acabamento mais macio. Comece a tarefa com discos com numeração mais grossa para uma remoção rápida e grosseira do material. Mude para um papel com numeração média e termine com um disco de com numeração fina para um ótimo acabamento.

- ◆ Granulação grossa 16 - 30
- ◆ Granulação média 36 - 80
- ◆ Granulação de acabamento fino 100 - 120
- ◆ Granulação de acabamento fino 150 - 180
- ◆ Deixe a ferramenta alcançar a velocidade máxima antes de tocar na superfície de trabalho.
- ◆ Aplique uma pressão mínima na superfície de trabalho, para que a ferramenta funcione a uma velocidade elevada. A velocidade de polimento é a mais elevada se a ferramenta funcionar a uma velocidade elevada.
- ◆ Mantenha um ângulo de 5° a 15° entre a ferramenta e superfície de trabalho. O disco para lixar deve entrar em contacto com aproximadamente uma polegada (25 mm) da superfície de trabalho.
- ◆ Mova a ferramenta de forma constante em linha recta para evitar queimaduras e efeitos circulares na superfície de trabalho. Se deixar a ferramenta sobre a superfície de trabalho e não a mover ou a deslocar em movimentos circulares, podem ocorrer queimaduras e efeitos circulares.
- ◆ Retire a ferramenta da superfície de trabalho antes de a desligar. Deixe a ferramenta parar de rodar antes de a pousar.

Utilizar escovas de taça metálicas e rodas metálicas

As escovas e os discos metálicos podem ser utilizados para remover ferrugem, lascas e tinta, e para o alisamento de superfícies irregulares.

Nota: Devem ser tomadas as mesmas precauções aquando da eliminação da tinta com escova metálica ou com lixa.

- ◆ Deixe a ferramenta alcançar a velocidade máxima antes de tocar na superfície de trabalho.

- ◆ Aplique uma pressão mínima na superfície de trabalho, para que a ferramenta funcione a uma velocidade elevada. A velocidade de remoção de material é a mais elevada se a ferramenta funcionar a uma velocidade elevada.
- ◆ Mantenha um ângulo de 5° a 10° entre a ferramenta e superfície de trabalho para escovas de taça metálicas.
- ◆ Utilize os discos metálicos para manter o contacto entre o bordo do disco e a superfície de trabalho.
- ◆ Mova continuamente a ferramenta num movimento para a frente e para trás para evitar a criação de goivas na superfície de trabalho. Se deixar a ferramenta sobre a superfície de trabalho e não a mover ou a deslocar em movimentos circulares, podem ocorrer queimaduras e efeitos circulares.
- ◆ Retire a ferramenta da superfície de trabalho antes de a desligar. Deixe a ferramenta parar de rodar antes de a pousar.

tenha especial atenção quando trabalhar num canto da mesa, uma vez que pode ocorrer um movimento brusco da rebarbadora.

Precauções a tomar aquando da eliminação da tinta com escova metálica ou com lixa

- ◆ O polimento de tinta à base de chumbo NÃO É RECOMENDADO, devido à dificuldade de controlo das poeiras contaminadas. As crianças e as grávidas são as pessoas mais susceptíveis ao envenenamento por chumbo.
- ◆ Uma vez que é difícil identificar se uma tinta contém ou não chumbo sem proceder a uma análise química, é recomendável seguir as seguintes precauções quando fizer o polimento de tinta:

Segurança pessoal

- ◆ As crianças ou grávidas não devem entrar em áreas de trabalho em que estejam a ser realizados trabalhos de lixagem de tinta até a limpeza estar concluída por completo.
- ◆ Deve ser usada uma máscara anti-poeira ou uma máscara respiratória por todas as pessoas que entrem na área de trabalho. O filtro deve ser substituído todos os dias ou sempre que o utilizador tenha dificuldades respiratórias.

Nota: só devem ser utilizadas máscaras anti-poeira adequadas se trabalhar com vapores de chumbo e poeira de tinta à base de chumbo. As máscaras de pintura comuns não oferecem este tipo de protecção. Contacte a sua loja de ferragens para obter uma máscara de protecção adequada.

- ◆ NÃO É PERMITIDO COMER, BEBER OU FUMAR na área de trabalho para evitar a ingestão de partículas de tinta contaminadas. Os trabalhadores devem lavar-se e limpar-se ANTES de comer, beber ou fumar. Não devem ser deixados alimentos, bebida ou maços de tabaco na área de trabalho, uma vez que estão sujeitos à acumulação de poeira.

Segurança ambiental

- ◆ A tinta deve ser removida de modo a minimizar a quantidade de poeira produzida.
- ◆ As áreas de remoção de tinta devem ser seladas com telas de plástico com 4 milésimos de polegada de espessura.
- ◆ A lixagem deve ser realizada de modo a reduzir quaisquer marcas de poeira de tinta fora da área de trabalho.

Limpeza e eliminação

- ◆ Todas as superfícies na área de trabalho devem ser aspiradas e devidamente limpas todos os dias durante todo o projecto de lixagem. Os sacos dos filtros de vácuo devem ser frequentemente mudados.
- ◆ Os panos de plástico devem ser reunidos e eliminados juntamente com quaisquer aparas ou outros detritos da remoção. Devem ser colocados em contentores para lixo selados e eliminados através dos procedimentos normais de recolha do lixo. Durante a limpeza, as crianças e grávidas devem ser mantidas afastadas da área de trabalho imediata.
- ◆ Todos os brinquedos, mobília e utensílios usados pelas crianças devem ser devidamente lavados antes de serem utilizados novamente.

Utilizar rodas de corte

Não utilize discos de esmerilagem de bordos/corte para tarefas de esmerilagem de superfícies, uma vez que os discos não foram concebidos para as pressões laterais que ocorrem durante a esmerilagem de superfícies. O disco pode partir-se e ocorrer ferimentos.

- ◆ Deixe a ferramenta alcançar a velocidade máxima antes de tocar com a mesma na superfície de trabalho.
- ◆ Aplique uma pressão mínima na superfície de trabalho, para que a ferramenta funcione a uma velocidade elevada. A velocidade de corte é a mais elevada se a ferramenta funcionar a uma velocidade elevada.
- ◆ Depois de iniciar um corte e efectuar um entalhe na peça de trabalho, não altere o ângulo do corte. Se alterar o ângulo, o disco pode dobrar e partir-se.
- ◆ Retire a ferramenta da superfície de trabalho antes de a desligar. Deixe a ferramenta parar de rodar antes de a pousar.

Manutenção

A sua ferramenta Stanley Fat Max foi concebida para funcionar por um longo período de tempo com uma manutenção mínima.

Uma utilização continuamente satisfatória depende de uma manutenção apropriada da ferramenta e de uma limpeza regular.

O seu carregador não necessita de manutenção para além da limpeza regular.

Atenção! Antes de proceder a qualquer acção de manutenção em ferramentas eléctricas com cabo/sem fios:

- ◆ Desligue o aparelho/ferramenta e retire a respectiva ficha da tomada.
- ◆ Ou desligue e remova a bateria do aparelho/ferramenta caso o aparelho/ferramenta tenha uma bateria individual.
- ◆ Pode também deixar a bateria descarregar completamente se estiver incorporada e, em seguida, desligue-a.
- ◆ Desligue o carregador antes de o limpar. O seu carregador não necessita de manutenção para além da limpeza regular.
- ◆ Limpe regularmente as aberturas de ventilação do aparelho/ferramenta/carregador com uma escova macia ou um pano seco.
- ◆ Limpe regularmente o compartimento do motor com um pano húmido. Não utilize produtos de limpeza abrasivos ou à base de solventes.
- ◆ Abra o mandril regularmente e bata no mesmo para remover qualquer vestígio de pó do seu interior (quando colocado).

Protecção do ambiente



Faça uma recolha de lixo selectiva. Os produtos e as baterias assinaladas com este símbolo não devem ser eliminados juntamente com o lixo doméstico normal.

Os produtos e as baterias contêm materiais que podem ser recuperados ou reciclados, reduzindo assim a necessidade de matérias-primas.

Recicle os produtos eléctricos e as baterias de acordo com as disposições locais. Estão disponíveis mais informações em www.2helpU.com.

Dados técnicos

		FMC761 (H1)
Tensão	V _{dc}	18
Velocidade sem carga	Min ⁻¹	9,000
Diâmetro do disco	mm	125
Furo do disco	mm	22
Espessura máxima do disco		
disco de esmerilação	mm	6
disco de corte	mm	3,5
Diâmetro do veio		M14
Comprimento do eixo (com a flange interior colocada)	mm	14
Comprimento do eixo (sem a flange interior colocada)	mm	19,5
Peso	kg	2,9

Carregador		905998**	906086**
Tensão de entrada	V _{AC}	230	230
Voltagem de saída	V _{DC}	18	18
Corrente	A	1	2
Tempo de carga aprox.	min	90-240	45-120

Bateria		FMC685L	FMC687L	FMC688L
Tensão	V _{AC}	18	18	18
Capacidade	Ah	1,5	2,0	4,0
Tipo		lões de lítio	lões de lítio	lões de lítio

Nível de pressão acústica de acordo com a norma EN 60745:	
Pressão acústica (L _{pa})	80,5 dB(A), imprecisão (K) 3 dB(A)
Potência acústica (L _{wa})	91,5 dB(A), imprecisão (K) 3 dB(A)

Valores totais de vibração (soma vectores triax) de acordo com a EN 60745:	
Esmerilagem da superfície (a _{w,sc})	3,9 m/s ² , imprecisão (K) 1,5 m/s ²
Polimento (a _{w,p})	2,0 m/s ² , imprecisão (K) 1,5 m/s ²
Lixamento com disco (a _{w,ls})	4,5 m/s ² , imprecisão (K) 1,5 m/s ²

Cuidado! Aplicações como corte ou polimento podem ter emissões de vibração diferentes.

Declaração de conformidade CE

DIRECTIVA "MÁQUINAS"



FMC761 - Esmerilador angular sem fio

A Stanley Fat Max declara que os produtos descritos em "dados técnicos" estão em conformidade com as seguintes normas:

EN60745-1:2009+A11:2010, EN60745-2-3:2011+A12:2014

Estes produtos estão também em conformidade com a Directiva 2006/42/CE, 2014/30/UE e 2011/65/UE.

Para obter mais informações, contacte a Stanley Fat Max na morada indicada ou consulte o verso do manual.

O abaixo assinado é responsável pela compilação do ficheiro técnico e faz esta declaração em nome da

Stanley Fat Max.

R. Laverick
Director de Engenharia
Stanley Fat Max Europe, Egide Walschaertsstraat14-18,
2800 Mechelen, Bélgica
01/10/2018

Garantia

A Stanley Fat Max confia na qualidade dos seus produtos e oferece aos clientes uma garantia de 12 meses a partir da data de compra. Esta garantia é um complemento dos seus direitos estabelecidos por lei, não os prejudicando de forma alguma. A garantia é válida nos Estados-membros da União Europeia e nos países-membros da Zona Europeia de Comércio Livre.

Para accionar a garantia, esta deve estar em conformidade com os termos e condições da Stanley Fat Max e terá de apresentar comprovativos de compra ao vendedor ou a um agente de reparação autorizado. Os termos e condições da garantia de 1 ano da Stanley Fat Max e a localização do agente de reparação autorizado mais próximo pode ser obtido na Internet em www.2helpU.com ou contactando uma filial da Stanley Fat Max, cuja morada está indicada neste manual.

Visite o nosso Website www.stanley.eu/3 para registar o seu novo produto Stanley Fat Max e receber actualizações sobre novos produtos e ofertas especiais.

Avsedd användning

Denna Stanley Fat Max FMC761 vinkelslip är avsedd för att slipa och skära metall och murverk med lämplig typ av kapskiva eller slipskiva. Verkytget måste utrustas med det passande skyddet. Verkytget är avsett för yrkesanvändare och privatkonsumenter.

Säkerhetsinstruktioner

Allmänna säkerhetsanvisningar för elverkytget



Varning! Läs alla säkerhetsvarningar och instruktioner. Fel som uppstår till följd av att varningarna och instruktionerna som listas nedan inte följts kan orsaka elstötar, brand och/eller allvarliga kroppsskador.

Spara alla säkerhetsföreskrifter och anvisningar för framtida bruk. Begreppet "Elverkytget" i alla varningar som listas nedan avser nätdrivna elverkytget (med nätsladd) och batteridrivna elverkytget (sladdlösa).

1. Säkerhet på arbetsområdet

- Se till att arbetsområdet är rent och väl belyst.** Stökiga eller mörka områden inbjuder till olyckor.
- Använd inte elverkytget i explosionsfarlig omgivning, t.ex. i närheten av brännbara vätskor, gaser eller damm.** Elverkytget ger upphov till gnistor som kan antända damm eller ångor.
- Håll barn och andra obehöriga personer på avstånd vid arbete med elverkytget.** Distractioner kan göra att du förlorar kontrollen.

2. Elsäkerhet

- Elverkytgets stickkontakt måste passa i eluttaget. Modifiera aldrig kontakten på något sätt. Använd inga adapterkontakter med jordanslutna (jordade) elektriska verktyg.** Icke modifierade kontakter och passande uttag minskar risken för elektrisk stöt.
- Undvik kroppskontakt med jordade ytor, t.ex. rör, värmeelement, spisar och kylskåp.** Det finns en ökad risk för elektrisk stöt om din kropp är jordanslutet eller jordad.
- Utsätt inte elverkytget för regn eller våta omgivelningar.** Vatten som kommer in i ett elverkytget ökar risken för elektrisk stöt.
- Hantera nätsladden varsamt. Använd aldrig sladden för att bära, dra i eller koppla bort elverkytget från uttaget. Håll sladden borta från värme, olja, skarpa kanter eller rörliga delar.** Skadade eller tilltrasslade sladdar ökar risken för elektrisk stöt.
- Använd en förlängningssladd som lämpar sig för utomhusbruk när du arbetar med elverkytget**

utomhus. Användning av en sladd som passar för utomhusanvändning minskar risken för elektrisk stöt.

- Om du måste använda ett elverkytget på en fuktigt plats, bör du använda en strömförsörjning med jordfelsbrytare.** Att använda en jordfelsbrytare minskar risken för elektrisk stöt.

3. Personlig säkerhet

- Var uppmärksam, se på vad du gör och använd sunt omdöme när du använder elverkytget. Använd inte ett elverkytget när du är trött eller påverkad av droger, alkohol eller mediciner.** Ett ögonblicks ouppmärksamhet när du arbetar med elektriska verktyg kan leda till allvarliga personskador.
- Använd personlig skyddsutrustning. Använd alltid skyddsglasögon.** Skyddsutrustning såsom dammskyddsmask, halksäkra säkerhetsskor, skyddshjälm, eller hörselskydd om de används under rätta förhållanden, minskar risken för personskador.
- Förhindra oavsiktlig start. Kontrollera att strömbrytaren står i avstängt läge innan du ansluter verkytget till elnätet eller sätter i batteriet, samt innan du tar upp eller bär verkytget.** Att bära elektriska verktyg med fingret på strömbrytaren eller att koppla strömmen till elektriska verktyg när strömbrytaren är på leder till olyckor.
- Ta bort alla inställningsverktyg och skruvnycklar innan du startar elverkytget.** Ett verktyg eller en nyckel som har lämnats kvar på en roterande del av det elektriska verktyget kan orsaka kroppsskador.
- Sträck dig inte för mycket. Ha ordentligt fotfäste och balans hela tiden.** Detta möjliggör bättre kontroll av elverkytget i oväntade situationer.
- Bär lämpliga kläder. Bär inte lösa kläder eller smycken. Håll hår, beklädnad och handskar borta från delar i rörelse.** Lösa kläder, smycken eller långt hår kan fastna i rörliga delar.
- Om elverkytget har dammsugnings- och uppsamlingsutrustning, se till att den är ansluten och används på korrekt sätt.** Användning av dammuppsamling kan minska dammrelaterade risker.

4. Användning och skötsel av elverkytget

- Överbelasta inte elverkytget. Använd rätt elverkytget för ditt arbete.** Det korrekta elverkytget gör arbetet bättre och säkrare vid den hastighet för vilket det konstruerades.
- Använd inte elverkytget om det inte kan startas och stängas av med strömbrytaren.** Ett elverkytget som inte kan kontrolleras med strömbrytaren är farligt och måste repareras.
- Dra stickkontakten ur vägguttaget och/eller ta ut batteriet ur elverkytget innan inställningar görs, tillbehörsdelar byts ut eller elverkytget ställs undan.**

Sådana förebyggande säkerhetsåtgärder minskar risken att oavsiktligt starta elverktyget.

- d. **Förvara elverktyg utom räckhåll för barn och låt inte personer som är ovana vid elverktyget eller som inte läst denna bruksanvisning använda det.** Elektriska verktyg är farliga i händerna på ovana användare.
- e. **Underhålla elverktyg.** Kontrollera att rörliga komponenter fungerar felfritt och inte kärvar, att komponenter inte gått sönder eller skadats och inget annat föreligger som kan påverka elverktygets funktion. Om det är skadat, se till att elverktyget blir reparerat före användningen. Många olyckor orsakas av dåligt underhållna elektriska verktyg.
- f. **Håll kapverktyg vassa och rena.** Ordentligt underhållna kapverktyg med vassa skärytor fastnar inte så lätt och är lättare att kontrollera.
- g. **Använd elverktyg, tillbehör, bits m.m. enligt dessa anvisningar, samtidigt som arbetsförhållandena och det arbete som ska utföras beaktas.** Att använda elverktyget för något annat än det som det är avsett för, kan leda till en riskfylld situation.

5. Användning och skötsel av batteridrivet verktyg

- a. **Ladda endast med den laddare som är specificerad av tillverkaren.** En laddare som passar en batterityp kan medföra brandrisk om den används ihop med ett annat batteri.
- b. **Använd endast de batteripaket som är speciellt avsedda för elverktyget.** Användning av andra batteripaket kan leda till personskador eller eldsvåda.
- c. **När batteriet inte används ska du hålla det åtskilt från metallföremål som gem, mynt, nycklar, spik, skruvar och andra små metallföremål som kan orsaka kortslutning mellan batteriets poler.** Kortslutning av batteripolerna kan leda till brännskador eller eldsvåda.
- d. **Under olämpliga förhållanden kan vätska spruta ut från batteriet. Undvik kontakt. Vid oavsiktlig kontakt, spola med vatten. Om vätskan kommer i kontakt med ögonen, sök också läkarhjälp.** Vätska som sprutar ur batteriet kan orsaka sveda och brännskador.

6. Service

- a. **Låt en kvalificerad reparatör som bara använder originaldelar utföra service på elverktyget.** Detta säkerställer att elverktygets säkerhet bibehålls.

Ytterligare säkerhetsanvisningar för elverktyg



Varning! Ytterligare säkerhetsanvisningar för vinkelslipning, slipning, stålborstning, polering och kapning.

- ◆ **Det här elverktyget är avsett att användas för vinkelslipning, slipning, stålborstning, polering och**

kapning. Läs alla säkerhetsvarningar, instruktioner, illustrationer och specifikationer som levereras med detta elverktyg. Underlåtenhet att läsa alla instruktioner som listas här nedan kan resultera i elektrisk stöt, eldsvåda och/eller allvarlig personskada.

- ◆ **Arbeten som elverktyget inte är konstruerat för kan eventuellt ge upphov till fara och orsaka personskada.**
- ◆ **Använd inte tillbehör som inte är specifikt konstruerade för maskinen och rekommenderade av verktygstillverkaren.** Bara det att tillbehöret kan monteras på ditt elverktyg, garanterar inte att användningen av det är säker.
- ◆ **Tillbehörets nominella varvtal måste vara åtminstone samma som det maximala varvtal som anges på elverktyget.** Tillbehör som går snabbare än sitt nominella varvtal kan brytas sönder och splittras
- ◆ **Ytterdiametern och tjockleken på ditt tillbehör måste vara inom elverktygets nominella kapacitet.** Tillbehör med fel storlek kan inte skyddas eller kontrolleras korrekt.
- ◆ **Gångade monteringen av tillbehören måste matcha vinkelslipens spindelgång.** För tillbehör monterade med flänsar måste spindelhålet på tillbehöret passa fixeringsdiametern på flänsen. Tillbehör med som inte matchar elverktygets monterade hårdvara kommer att gå obalanserat, vibrera för mycket och kan orsaka att man tappar kontrollen.
- ◆ **Använd inte ett skadat tillbehör.** Före varje användning, inspektera tillbehör såsom sliptrissor med avseende på flisor och sprickor, stödrondell med avseende på sprickor, nötning eller för stort slitage, stålborste med avseende på lösa eller spruckna trådar. Om elverktyg eller tillbehör tappas, kontrollera att det inte är skadat och installera vid behov ett felfritt tillbehör. Efter inspektion och installation av ett tillbehör, placera dig själv och åskådare bort från tillbehörets rotationsplan, och kör elverktyget med maximal tomgångshastighet under en minut. Skadade tillbehör kommer normalt att falla sönder under denna testkörning.
- ◆ **Använd personlig skyddsutrustning.** Beroende på tillämpning, använd ansiktsskydd, skyddsglasögon eller säkerhetsglasögon. Efter vad som är lämpligt, bär dammfilterskydd, hörselskydd, handskar och verkstadsförkläde som klarar av att stoppa små slipande delar eller bitar av arbetsstycket. Ögonskyddet måste klara av att stoppa flygande skräp som skapas av diverse arbetsmoment. Damm- eller andningskyddet måste kunna filtrera partiklar från det du arbetar med. Att utsättas för buller under en lång tid kan orsaka hörselskador.
- ◆ **Håll åskådare på säkert avstånd från arbetsområdet.** Alla som kommer in i arbetsområdet måste ha personlig skyddsutrustning. Bitar av arbetsstycket eller av ett trasigt tillbehör kan slungas iväg och orsaka personskada bortom det omedelbara arbetsområdet.

- ◆ **Håll elverktyget i de isolerade greppytorna när arbete utförs där det skärande tillbehöret kan komma i kontakt med dolda elledningar eller sin egen sladd.** Kaptilbehör som kommer i kontakt med en strömförande ledning kan göra att exponerade metalldelar hos elverktyget blir strömförande och kan ge användaren en elektrisk stöt.
- ◆ **Placera sladden så att den inte kommer i kontakt med det roterande tillbehöret.** Om du tappar kontrollen kan sladden bli kapad eller fastna, och din hand eller arm kan dras in i det roterande tillbehöret.
- ◆ **Lägg aldrig ned elverktyget förrän tillbehöret har stannat fullständigt.** Det roterande tillbehöret kan hugga tag i ytan och dra iväg verktyget så att du tappar kontrollen över det.
- ◆ **Kör inte elverktyget medan du bär det vid din sida.** Oavsiktlig kontakt med det roterande tillbehöret skulle kunna ta tag i dina kläder och dra in tillbehöret i din kropp.
- ◆ **Rengör regelbundet elverktygets ventilationsöppningar.** Motorns fläkt kommer att dra in dammet i kåpan, och för stor ansamling av metall i pulverform kan utgöra elektriska risker.
- ◆ **Använd inte elverktyget i närheten av brandfarligt material.** Gnistor skulle kunna antända detta material.
- ◆ **Använd inte tillbehör som kräver flytande kylmedel.** Användning av vatten eller andra flytande kylmedel kan leda till livsfarlig elstöt eller stöt.

Notera: Ovanstående varning gäller inte för elverktyg som har konstruerats speciellt för användning med ett vätskesystem.

Kast och tillhörande varningar

Rekyl är en plötslig reaktion när en roterande skiva, stödrondell, borste eller något annat tillbehör körs eller kläms fast. Det roterande tillbehöret bromsas då hastigt vilket i sin tur gör att det okontrollerade elverktyget tvingas i motsatt riktning mot tillbehörets rotation vid den punkt där stoppet uppstår. Om till exempel en slipskiva fastnar eller kläms fast av arbetsstycket, kan skivans kant vid klämpunkten gräva sig in i materialet och få skivan att hoppa ut eller rekylas. Skivan kan antingen kastas mot användaren eller bort från denne, beroende på skivans rörelseriktning och den punkt där den fastnar. Slipskivor kan dessutom brytas sönder under dessa förhållanden.

Rekylar uppstår till följd av felaktig användning och/eller hantering av elverktyget. De kan undvikas med de skyddsåtgärder som beskrivs nedan.

- ◆ **Bibehåll ett fast grepp om elverktyget och placera din kropp och arm så att du kan motstå rekylkrafterna.** Använd alltid ett extrahandtag, om sådant finns, för maximal kontroll över kast och momentrörelser vid start. Användaren kan kontrollera vridmomentreaktion eller rekylkrafter, om korrekta försiktighetsåtgärder vidtas.
- ◆ **Håll aldrig din hand nära ett roterande tillbehör.** Tillbehöret kan rekylas över din hand.

- ◆ **Placera inte din kropp inom det område dit elverktyget kommer att förflytta sig om rekyl inträffar.** Rekylen kommer att kasta verktyget i motsatt riktning mot skivans rörelse vid klämpunkten.
- ◆ **Var särskilt försiktig när du arbetar med hörn, vassa kanter, osv. Undvik att låta tillbehöret studsas eller hakas fast.** Hörn, vassa kanter eller studsande har en tendens att hugga tag i det roterande tillbehöret och orsaka kontrollförlust eller rekyl.
- ◆ **Montera inte en sågkedjeklinga för träsnideri eller en tandad sågklinga.** Sådana klingor ger ofta upphov till rekyl och förlust av kontroll.

Säkerhetsanvisningar som är specifika för slipning och kapning:

- ◆ **Använd endast skivor av den typ som rekommenderas för ditt elverktyg och det speciella skydd som är konstruerat för den valda skivan.** Skivor som elverktyget inte är konstruerat för kan inte skyddas ordentligt och är inte säkra.
- ◆ **Slipytans centrum på den nedtryckta skivan måste vara monterad nedanför skyddsklacken.** Felaktigt monterad skiva som skyddas av nivån av skyddsklacken kan inte var tillräckligt skyddande.
- ◆ **Skyddet måste fästas ordentligt på elverktyget och placeras för maximal säkerhet, så att så lite som möjligt av skivan är exponerad mot användaren.** Skyddet bidrar till att skydda användaren från fragment om skivan går sönder, från oavsiktlig kontakt med skivan och gnistor som kan antända kläder.
- ◆ **Skivorna får bara användas för rekommenderade tillämpningar. Exempelvis: Slipa inte med sidan av en kapskiva.** Slipande kapskivor är avsedda för slipning med ytterkanten och om dessa skivor utsätts för sidokrafter kan de splittras.
- ◆ **Använd alltid oskadade skivflänsar som har korrekt storlek och form för den skiva som du har valt.** Rätt skivflänsar ger stöd åt skivan och minskar därför risken för att skivan går sönder. Flänsar för kapskivor kan vara annorlunda än flänsar för slipskivor.
- ◆ **Använd inte nedslitna skivor från större elverktyg.** Skivor som är avsedda för större elverktyg lämpar sig inte för den högre hastigheten hos mindre verktyg och kan brytas sönder.

Ytterligare säkerhetsanvisningar som är specifika för kapning

- ◆ **Låt inte kapskivan "fastna" och tryck inte för hårt på verktyget. Försök inte skära för djupt.** Att belasta skivan för mycket ökar risken och sannolikheten för att skivan ska vridas eller kärva i snittet och möjligheten för rekyl eller att skivan går sönder.

- ◆ **Placera inte din kropp i linje med och bakom den roterande skivan.** När skivan, på arbetspunkten rör sig bort ifrån din kropp, kan en eventuell rekyl slunga den roterande skivan och elverktyget rakt mot dig.
- ◆ **När skivan kärvar fast eller när du avbryter ett snitt av någon orsak, stäng av elverktyget och håll elverktyget stilla tills skivan har stannat helt och hållet. Försök aldrig ta bort skivan ur skärspåret medan skivan snurrar eftersom detta kan leda till kast.** Undersök varför skivan har fastnat och avlägsna orsaken till detta.
- ◆ **Starta inte kapningen på nytt i arbetsstycket. Låt skivan nå full hastighet och återgå försiktigt till kapningen.** Skivan kan fastna, vandra upp eller rekylas om verktyget startas om i arbetsstycket.
- ◆ **Stöd plattor och stora arbetsstycken för att minimera risken för att skivan kläms fast eller rekylas.** Stora arbetsstycken tenderar att svikta under sin egen vikt. Stöd måste placeras under arbetsstycket nära kaplinjen och nära kanten på arbetsstycket på båda sidor av skivan.
- ◆ **Var speciellt försiktig när du skär in ett "urtag" i en befintlig vägg eller andra dolda områden.** Den utstickande skivan kan skära in i vattenrör, elledningar eller objekt som kan orsaka en rekyl.

Säkerhetsanvisningar som är specifika för slipning

- ◆ **Använd inte ett alltför stor sliprondell. Följ tillverkarens rekommendationer när du väljer sandpapper.** Större sliprondeller som når utanför stödrondellen utgör en risk för rivsår, kan orsaka fastkörning och sönderslitning av skivan eller rekyl.

Säkerhetsanvisningar som är specifika för polering

- ◆ **Låt inte någon lös del av polertrissan eller dess fastsättningstrådar snurra fritt. Stoppa undan eller klipp bort alla eventuella lösa fastsättningsband.** Lösa och roterande fastsättningsband kan trassla in sig i dina fingrar eller fastna i arbetsstycket.

Säkerhetsanvisningar som är specifika för stålborstning

- ◆ **Tänk på att stålborst kan lossna från borsten även under normal användning. Slit inte för hårt på trådarna genom att applicera för stor belastning på borsten.** Trådstråna kan lätt tränga igenom lätt beklädnad och/eller huden.
- ◆ **Om ett skydd rekommenderas för stålborstning får ingen del av trådskivan eller borsten komma i kontakt med skyddet.** Trådskivan eller borsten kan expandera i diameter på grund av arbetsbelastningen och centrifugalkrafterna.



Varning! Slipning ger upphov till damm som kan skada den som använder verktyget och andra i närheten vid kontakt eller inandning. Använd en specialkonstruerad ansiktsmask som skyddar mot damm och ångor och se till att personer som vistas inom eller i närheten av arbetsområdet också är skyddade.

Andras säkerhet

- ◆ Detta verktyg kan användas av barn från 8 år och personer med nedsatt fysisk eller psykisk förmåga eller bristande erfarenhet eller kunskap, om de övervakas eller får instruktioner om hur apparaten används och är medvetna om riskerna.
- ◆ Barn ska inte leka med apparaten. Rengöring och användarunderhåll ska inte utföras av barn utan övervakning.

Återstående risker

Ytterligare risker som inte finns med i de bifogade säkerhetsanvisningarna kan uppstå när verktyget används. Dessa risker kan uppstå vid felaktigt eller långvarig användning, etc. Även om alla relevanta säkerhetsanvisningar följs och säkerhetsanordningar används kan vissa ytterligare risker inte undvikas. Dessa omfattar:

- ◆ Skador orsakade av att roterande/rörliga delar vidrörs.
- ◆ Skador som uppstår vid byte av delar, klingor eller tillbehör.
- ◆ Skador som orsakas av långvarig användning av ett verktyg. Se till att regelbundet ta vilopausar när du använder ett verktyg under en längre period.
- ◆ Nedsatt hörsel.
- ◆ Hälsorisker till följd av inandning av damm när redskapet används (exempel: arbete med trämaterial, särskilt ek, bok och MDF.)

Vibrationer

De vibrationsvärden som anges i avsnitten Tekniska data och deklarationen om överensstämmelse har uppmätts i enlighet med en standardtestmetod föreskriven i EN 60745 och kan användas för jämförelse med andra verktyg. Det angivna vibrationsvärdet kan även användas för en preliminär bedömning av exponeringen.

Varning! Vibrationsvärdet under faktisk användning av elverktyget kan skilja sig från det uppgivna värdet beroende på hur verktyget används. Vibrationsnivån kan överstiga den uppgivna nivån.

Vid uppskattningar av exponering för vibrationer i syfte att bedöma vilka säkerhetsåtgärder som är nödvändiga enligt 2002/44/EG för att skydda personer som regelbundet använder elverktyg i arbetet ska man utgå från de faktiska omständigheter under vilka elverktyget används och sättet på vilket det används.

Bedömningen ska även ta hänsyn till alla moment i arbetscykeln, t.ex. när verktyget är avstängt och när det går på tomgång såväl som när det faktiskt används.

Etiketter på verktyget

Följande varningssymboler finns på verktyget, tillsammans med datumkoden:



Varning! Läs bruksanvisningen före användning för att minska risken för personskador.



Bär alltid skydds- eller korgglasögon när du använder verktyget.



Bär alltid hörselskydd när du använder verktyget.

Ytterligare säkerhetsinstruktioner för batterier och laddare

Batterier

- ◆ Försök aldrig öppna av någon anledning.
- ◆ Utsätt inte batteriet för vatten.
- ◆ Förvara inte på platser där temperaturen kan bli högre än 40 °C.
- ◆ Ladda endast vid omgivande temperaturer på mellan 10 °C och 40 °C.
- ◆ Ladda endast med den laddare som följer med verktyget.
- ◆ Följ instruktionerna i avsnittet "Skydda miljön" när du gör ett av med batterier.



Försök inte ladda skadade batterier.

Laddare

- ◆ Laddaren från Stanley Fat Max får bara användas för att ladda batteriet i det verktyg som laddaren levererades med. Andra batterier kan spricka och orsaka personskador och andra skador.
- ◆ Försök aldrig ladda batterier som inte är uppladdningsbara.
- ◆ Se till att defekta sladdar byts ut omedelbart.
- ◆ Utsätt inte laddaren för vatten.
- ◆ Öppna inte laddaren.
- ◆ Gör ingen åverkan på laddaren.



Laddaren är endast avsedd för inomhusanvändning.



Läs bruksanvisningen före användning.

Elsäkerhet



Eftersom laddaren är dubbelisolerad behövs ingen jordledare. Kontrollera alltid att nätspänningen överensstämmer med spänningen på typskylten. Försök aldrig byta ut laddaren mot en vanlig nätkontakt.

- ◆ Om nätsladden är skadad, måste den bytas ut av tillverkaren eller en auktoriserad Stanley Fat Max-verkstad för att undvika risker.

Funktioner

Den här apparaten har några eller samtliga av följande funktioner.

1. Låsreglage
2. Vippströmställare
3. Sidohandtag
4. Spindellås
5. Slipskydd
6. Slipskiva
7. Batteri
8. Nyckel med två stift

bild A

9. Batteriladdare
10. Laddningsindikator

Användning

Varning! Låt verktyget arbeta i sin egen takt. Överbelasta inte.

- ◆ Var beredd på ett gnistregn när slip- eller kapskivan vidrör arbetsstycket.
- ◆ Placera alltid verktyget så att skyddet för slip- eller kapskivan blir optimalt.

Ladda batteriet (bild A)

Batteriet måste laddas innan det används för första gången samt varje gång det inte ger tillräckligt hög effekt för arbeten som tidigare klarades av. Batteriet kan bli varmt när det laddas. Det är normalt och innebär inte att något är fel.

Varning! Ladda inte batteriet om temperaturen i luften är lägre än 10 °C eller högre än 40 °C. Den rekommenderade laddningstemperaturen är cirka 24 °C.

Notera: Laddaren laddar inte batteriet om celltemperaturen är lägre än ungefär 10 °C eller högre än 40 °C. Batteriet får då sitta kvar i laddaren, som kommer att börja laddningen automatiskt när celltemperaturen har stigit eller sjunkit.

- ◆ Vid laddning av batteriet (7) sätter du det i laddaren (9). Batteriet kan bara placeras i laddaren på ett sätt. Tvinga inte. Se till att batteriet sitter ordentligt i laddaren.

- ◆ Anslut laddaren till vägguttaget och slå på strömmen. Laddningsindikatorn (10) börjar blinka. När batteriet är laddat börjar laddningsindikatorn (10) lysa med ett fast sken. Laddaren och batteriet kan vara hopkopplade hur länge som helst. LED-indikatorn tänds ibland eftersom laddaren då och då fyller på batteriets laddning.
- ◆ Urladdade batterier bör laddas inom 1 vecka. Om batterierna inte laddas när de är urladdade förkortas batterilivslängden avsevärt.

Lämna batteriet i laddaren

Batteriet kan sitta kvar i laddaren och laddaren kan vara ansluten till vägguttaget hur länge som helst när indikatorn lyser. Laddaren ser till att batteriet hålls fräscht och fulladdat.

Laddardiagnostik

Om laddaren upptäcker ett svagt eller skadat batteri börjar laddningsindikatorn (10) att blinka rött snabbt. Gör så här:

- ◆ Sätt i batteriet (7) igen.
- ◆ Om laddningsindikatorn fortsätter att blinka rött snabbt kan du använda ett annat batteri för att kontrollera att laddningsprocessen fungerar som den ska.
- ◆ Om det utbytta batteriet kan laddas utan problem är det gamla batteriet defekt och bör lämnas till ett servicecenter för återvinning.
- ◆ Om problemet kvarstår med det nya batteriet bör du ta med laddaren till ett auktoriserat servicecenter.

Notera: Det kan ta upp till 30 minuter att avgöra om batteriet är defekt. Om batteriet är för varmt eller för kallt blinkar indikatorn rött omväxlande snabbt och långsamt med en blinkning i varje hastighet.

Slå på och av

- ◆ Starta verktyget genom att föra låsreglaget (1) framåt och sedan trycker du ned och håller kvar strömbrytaren (2).
- ◆ Stäng av genom att släppa upp strömbrytaren (2).

Varning! Slå inte på eller stäng av verktyget när det belastas.

Varning! För alltid låsreglaget (1) bakåt, till låst läge, när verktyget inte används.

Tips för optimal användning

- ◆ Håll verktyget stadigt med en hand runt sidohandtaget och den andra handen runt huvudhandtaget.

Ytslipning med slipskivor

- ◆ Låt verktyget nå full hastighet innan verktyget kommer i kontakt med arbetsytan.
- ◆ Använd minimalt med tryck på arbetsytan, låt verktyget arbeta med hög hastighet. Sliphastigheten är bäst när verktyget arbetar med hög hastighet.
- ◆ Upprätthåll en vinkel på 20 ° till 30 ° mellan verktyget och arbetsytan.

- ◆ Flytta verktyget kontinuerligt i en rörelse framåt och bakåt för att undvika att skapa urholkningar i arbetsytan.
- ◆ Ta bort verktyget från arbetsytan innan verktyget stängs av. Låt verktyget sluta rotera innan det läggs ned.

Kantslipning med slipskivor

Skivor som används för kapning och kantslipning kan gå sönder eller orsaka kast om de böjs eller vrids om verktyget används vid kapning eller djupslipning. För att minska risken för allvarliga skador begränsar du användandet av dessa skivor med ett sprängskydd (typ 27) för ytskärmning och inskärmning (mindre än 1/2 tum/13 mm djup). Den öppna sidan av skyddet måste placeras bort från operatören. För djupare kapning med en typ 1 kapskiva, använd ett stängt typ 1 skydd. Se i tabellen med lösningar för slipning och skärmning längst bak i aktuellt språkavsnitt.

- ◆ Låt verktyget nå full hastighet innan verktyget kommer i kontakt med arbetsytan.
- ◆ Använd minimalt med tryck på arbetsytan, låt verktyget arbeta med hög hastighet. Sliphastigheten är bäst när verktyget arbetar med hög hastighet.
- ◆ Placera dig själv så att den öppna undersidan på skivan riktas bort från dig.
- ◆ När kapningen börjar och en skåra skapats i arbetsstycket ändra inte vinkeln på kapningen. Ändring av vinkeln kommer att göra att skivan böjs och kan gå sönder. Kantslipnings-skivor är inte designade för att stå emot sidotryck som orsakas av böjningar.
- ◆ Ta bort verktyget från arbetsytan innan verktyget stängs av. Låt verktyget sluta rotera innan det läggs ned.

Använd inte kantslipnings-/kapskivor för yt slipning eftersom dessa skivor inte är designade för sidotryck som uppstår vid yt slipning. Sönderbrutna skivor och allvarliga skador kan uppstå.

Ytslipning med slippappersrondeller

- ◆ Låt verktyget nå full hastighet innan verktyget kommer i kontakt med arbetsytan.
- ◆ Använd minimalt med tryck på arbetsytan, låt verktyget arbeta med hög hastighet. Sliphastigheten är bäst när verktyget arbetar med hög hastighet.
- ◆ Upprätthåll en vinkel på 5 ° till 10 ° mellan verktyget och arbetsytan.
- ◆ Flytta verktyget kontinuerligt i en rörelse framåt och bakåt för att undvika att skapa urholkningar i arbetsytan.
- ◆ Ta bort verktyget från arbetsytan innan verktyget stängs av. Låt verktyget sluta rotera innan det läggs ned.

Använda stödrondeller för slipning

Välj korrekt slipkornsstorlek för flexibla slipskivorna för användningsområdet. Slipskivorna finns tillgängliga med olika slipkornsstorlekar. Grova korn tar bort material snabbare och ger en grövre finish.

Finare korn tar bort material långsammare och ger en slätare finish.

Börja med skivor med grövre korn för snabb grov borttagning av material. Byt till ett medumpapper och avsluta med ett fint korn för optimal finish.

- ◆ Grovt 16–30 i kornstorlek
- ◆ Medium 36 - 80 i kornstorlek
- ◆ Fin finish 100–120 i kornstorlek
- ◆ Extra fint 150–180 i kornstorlek
- ◆ Låt verktyget nå full hastighet innan verktyget kommer i kontakt med arbetsytan.
- ◆ Använd minimalt med tryck på arbetsytan, låt verktyget arbeta med hög hastighet. Sliphastigheten är bäst när verktyget arbetar med hög hastighet.
- ◆ Upprätthåll en vinkel på 5 ° till 15 ° mellan verktyget och arbetsytan. Slippapperet ska vara i kontakt med cirka en tum (25 mm) av arbetsytan.
- ◆ Flytta verktyget konstant i en rak linje för att förhindra bränning och virvlar på arbetsytan. Om verktyget får vila på arbetsytan utan rörelse eller flytt av verktyget i en cirkelrörelse skapar brännmärken och virvelmärken på arbetsytan.
- ◆ Ta bort verktyget från arbetsytan innan verktyget stängs av. Låt verktyget sluta rotera innan det läggs ned.

Använda koppborste och borstskivor

Trädskivor och borstar kan användas för att ta bort rost, flagor och färg och för utjämning av oregelbundna ytor.

Notera: Samma försiktighetsåtgärder ska vidtas vid borstning av färg som vid slipning av färg med sandpapper.

- ◆ Låt verktyget nå full hastighet innan verktyget kommer i kontakt med arbetsytan.
 - ◆ Använd minimalt med tryck på arbetsytan, låt verktyget arbeta med hög hastighet. Borttagning v material går snabbast när verktyget arbetar med hög hastighet.
 - ◆ Upprätthåll en vinkel på 5 ° till 10 ° mellan verktyget och arbetsytan för borstkoppar.
 - ◆ Håll kontakt mellan kanten på skivan och arbetsytan med trädskivan.
 - ◆ Flytta verktyget kontinuerligt i en rörelse framåt och bakåt för att undvika att skapa urholkningar i arbetsytan. Om verktyget får vila på arbetsytan utan rörelse eller flytt av verktyget i en cirkelrörelse skapar brännmärken och virvelmärken på arbetsytan.
 - ◆ Ta bort verktyget från arbetsytan innan verktyget stängs av. Låt verktyget sluta rotera innan det läggs ned.
- Var extra uppmärksam vid arbete över en kant då plötsliga tvåra rörelser av vinkelslipen kan ske.

Försiktighetsåtgärder som bör vidtas vid slipning med sandpapper och borstning

- ◆ Slipning av blybaserad färg REKOMMENDERAS INTE på grund av svårigheterna att kontrollera det förorenade

dammet. Den största faran för blyförgiftning är för barn och gravida kvinnor.

- ◆ Eftersom det är svårt att identifiera om färg innehåller eller inte innehåller bly utan en kemisk analys rekommenderar vi att följande försiktighetsåtgärder vidtas vid slipning av all färg:

Personlig säkerhet

- ◆ Inga barn eller gravida kvinnor får komma in i arbetsområdet där färg slipas innan en fullständig rengöring gjorts.
 - ◆ En andningsmask eller gasmask bör bäras av alla personer som kommer in i arbetsområdet. Filtret bör bytas dagligen eller när användaren har svårigheter att andas.
- Notera:** Endast de dammasker som är lämpliga för arbete med blyfärgdam och rök bör användas. Vanliga målarmasker ger inte detta skydd. Besök din lokala järnhandel för att köpa rätt andningsskydd.
- ◆ ÅT INTE, DRICK ELLER RÖK inom arbetsområdet för att förhindra intag av förorenade färgpartiklar. Arbetare bör tvätta och städa INNAN de äter, dricker eller röker. Livsmedel, dryck eller röktilbehör bör inte lämnas kvar i arbetsområdet eftersom damm kan fastna på dem.

Miljösäkerhet

- ◆ Färg bör tas bort på ett sådant sätt att mängden damm som genereras minimeras.
- ◆ Områden där färgborttagning sker bör förseglas med plastskynken som är 4 millimeter tjocka.
- ◆ Slipning bör utföras på ett sådant sätt att spår av färgdamm reduceras utanför arbetsområdet.

Rengöring och kassering

- ◆ Alla ytor inom arbetsområdet bör dammsugas och noga rengöras dagligen så länge som slipningsprojektet pågår. Dammsugarfilterpåsar bör bytas regelbundet.
- ◆ Skyddsplasten ska samlas ihop och slängas tillsammans med flagor och andra avlägsnade föremål. De bör placeras i en förseglad avfallsbehållare och via den vanliga sophanteringen. Under rengöringen skall barn och gravida kvinnor hålla sig undan från det direkta arbetsområdet.
- ◆ Alla leksaker, tvättbara möbler och redskap som används av barn tvättas noga innan de används igen.

Använda kapskivor

Använd inte kantslipnings-/kapskivor för yt slipning eftersom dessa skivor inte är designade för sidotryck som uppstår vid yt slipning. Sönderbrutna skivor och allvarliga skador kan uppstå.

- ◆ Låt verktyget nå full hastighet innan verktyget kommer i kontakt med arbetsytan.
- ◆ Använd minimalt med tryck på arbetsytan, låt verktyget arbeta med hög hastighet. Kaphastigheten är bäst när verktyget arbetar med hög hastighet.

- ◆ När kapningen börjar och en skåra skapats i arbetsstycket ändra inte vinkeln på kapningen.
Ändring av vinkeln kommer att göra att skivan böjs och kan gå sönder.
- ◆ Ta bort verktyget från arbetsytan innan verktyget stängs av. Låt verktyget sluta rotera innan det läggs ned.

Underhåll

Detta Stanley Fat Max-verktyg har tillverkats för att fungera under lång tid med ett minimum av underhåll. Kontinuerlig tillfredsställande drift beror på ordentlig verktygsvård och regelbunden rengöring.

Laddaren behöver inget annat underhåll än regelbunden rengöring.

Varning! Innan något underhåll utförs på sladdanslutna/sladdlösa elverktyg:

- ◆ Stäng av apparaten/verktyget och dra ur nätkontakten.
- ◆ Eller stäng av och avlägsna batteriet ur apparaten/verktyget om det har ett separat batteripaket.
- ◆ Eller töm batteriet fullständigt om det är integrerat och stäng sedan av maskinen.
- ◆ Dra ut laddaren ur uttaget innan den rengörs. Laddaren behöver inget annat underhåll än regelbunden rengöring.
- ◆ Rengör regelbundet apparatens/verktygets/laddarens ventilationsöppningar med en mjuk borste eller torr trasa.
- ◆ Rengör motorhöljet regelbundet med en fuktig trasa. Använd aldrig rengöringsmedel med lösnings- eller slipmedel.
- ◆ Öppna chocken (där sådan finns) med jämna mellanrum och knacka på den för att avlägsna damm som sitter på insidan.

Skydda miljön



Separat insamling. Produkter och batterier som är markerade med denna symbol får inte kastas in de vanliga hushållssoporna.

Produkter och batterier innehåller material som kan återanvändas eller återvinnas för att minska behovet av råmaterial. Återvinn elektriska produkter och batterier enligt lokala bestämmelser. Närmare information finns tillgänglig på www.2helpU.com.

Tekniska data

FMC761 (H1)		
Spänning	V _{DC}	18
Varvtal obelastad	Min ⁻¹	9,000
Skivdiameter	mm	125
Skivhåll	mm	22
Maximal skivtjocklek		
slipskiva	mm	6
kapskiva	mm	3,5
Spindeldiameter		M14
Spindelängd (med inre fläns monterad)	mm	14
Spindelängd (utan inre fläns monterad)	mm	19,5
Vikt	kg	2,9

Laddare	905998**	906086**	
Inspänning	V _{AC}	230	230
Utspänning	V _{DC}	18	18
Strömstyrka	A	1	2
Laddningstid cirka	min	90-240	45-120

Batteri	FMC685L	FMC687L	FMC688L	
Spänning	V _{AC}	18	18	18
Kapacitet	Ah	1.5	2.0	4.0
Typ	Li-jon	Li-jon	Li-jon	

Ljudtrycksnivå enligt EN 60745:	
Ytslipning (L _{pa})	80,5 dB(A), osäkerhet (K) 3 dB(A)
Ljudeffekt (L _{wa})	91,5 dB(A), osäkerhet (K) 3 dB(A)

Totala vibrationsvärden (vektorsumman av tre axlar) enligt EN 60745:	
Surface grinding (a _{h,SC})	3,9 m/s ² , osäkerhet (K) 1,5 m/s ²
Polering (a _{h,p})	2,0 m/s ² , osäkerhet (K) 1,5 m/s ²
Skivslipning (a _{h,DS})	4,5 m/s ² , osäkerhet (K) 1,5 m/s ²

Försiktighet! Användningar såsom kapning eller trådborstning kan ha olika vibrationsemissioner.

EG-deklaration om överensstämmelse

MASKINDIREKTIV



FMC761 - sladdlös vinkelslip

Stanley FatMax garanterar att produkterna som beskrivs under "Tekniska data" uppfyller:
EN60745-1:2009+A11:2010, EN60745-2-3:2011+A12:2014

De här produkterna uppfyller även direktiv 2006/42/EG, 2014/30/EU och 2011/65/EU.

För ytterligare information, kontakta Stanley Europe på följande adress eller se slutet av bruksanvisningen.

Undertecknad är ansvarig för sammanställning av den tekniska filen och gör denna förklaring på Stanley Fat Max vägnar.

R. Laverick
Engineering Director
Stanley Fat Max Europe, Egide Walschaertsstraat14-18,
2800 Mechelen, Belgien
2018-10-01

Garanti

Stanley Fat Max är säker på kvaliteten hos denna produkt och erbjuder kunder 12 månaders garanti från datumet för inköpet. Garantin gäller utöver konsumentens rättigheter enligt lag och påverkar inte dessa. Garantin är giltig i de territorier som tillhör medlemsstaterna i Europeiska unionen och det europeiska frihandelsområdet.

För yrkande under garantin måste yrkandet vara i enlighet med Stanley Fat Max villkor och du kommer att behöva skicka in bevis på köpet till försäljaren eller en auktoriserad reparatör. Villkoren för Stanley Fat Max ettåriga garanti och var du hittar din närmaste auktoriserade reparatör kan erhållas på internet på www.2helpU.com, eller genom att kontakta ditt lokala Stanley Fat Max kontor på adressen som angetts i denna bruksanvisning.

Besök vår webbsida www.stanely.eu/3 för att registrera din nya Stanley Fat Max-produkt samt för att få information om nya produkter och specialerbjudanden.

Tiltenkt bruk

Stanley Fat Max FMC761 vinkelsliperen er utformet for sliping og kutting av metall og mur med passende type kutte- eller slipeskive. Verktøyet skal være utstyrt med passende beskyttelse. Dette verktøyet er tiltenkt både fagarbeidere og private brukere.

Sikkerhetsinstruksjoner

Generelle sikkerhetsadvarsler for elektroverktøy



Advarsel! Les alle sikkerhetsadvarsler og alle instruksjoner. Hvis advarslene og anvisningene nedenfor ikke overholdes, kan det medføre elektrisk støt, brann og/eller alvorlige personskader.

Ta vare på alle advarsler og instruksjoner for fremtidig bruk. Uttrykket "elektroverktøy" i alle advarslene nedenfor gjelder for strømledende elektroverktøy (med ledning) og batteridrevne elektroverktøy (uten ledning).

1. Sikkerhet i arbeidsområdet

- Hold arbeidsområdet rent og godt opplyst.** Rotete eller mørke områder er en invitasjon til ulykker.
- Ikke arbeid med elektroverktøy i eksplosjonsfarlige omgivelser, for eksempel der det befinner seg brennbare væsker, gass eller støv.** Elektrisk verktøy skaper gnister som kan antenne støv eller gasser.
- Hold barn og andre personer unna når du bruker et elektroverktøy.** Distraksjoner kan føre til at du mister kontrollen.

2. Elektrisk sikkerhet

- Støpselet til verktøyet må passe til stikkkontakten. Aldri modifier støpselet på noen måte. Ikke bruk adapterstøpsler til jordede elektriske verktøy.** Umodifiserte støpsler og stikkontakter som passer vil redusere risikoen for elektrisk sjokk.
- Unngå kroppskontakt med jordede overflater som rør, radiatorer, komfyrer og kjøleskap.** Det er økt risiko for elektrisk støt dersom kroppen din er jordnet.
- Ikke utsett elektroverktøy for regn eller fuktighet.** Dersom det kommer vann inn i et elektrisk verktøy vil det øke risikoen for elektrisk sjokk.
- Unngå uforsvarlig behandling av ledningen. Aldri bruk ledningen til å bære, trekke eller dra ut støpselet til det elektriske verktøyet. Hold ledningen borte fra varme, olje, skarpe kanter eller bevegelige deler.** Skadede eller innviklede ledninger øker risikoen for elektrisk sjokk.
- Når du bruker et elektroverktøy utendørs, må du bruke en skjøteledning som er egnet til utendørs bruk.** Bruk av en skjøteledning beregnet for utendørs bruk reduserer risikoen for elektrisk støt.

f. Hvis du ikke kan unngå å bruke elektroverktøy på et fuktig sted, må du bruke en strømforsyning som er beskyttet med jordfeilbryter. Bruk av jordfeilbryter (RCD) reduserer risikoen for elektrisk sjokk.

3. Personikkerhet

- Vær oppmerksom, pass på hva du gjør, og vis fornuft når du arbeider med et elektroverktøy. Ikke bruk et elektrisk verktøy dersom du er trøtt eller er påvirket av medikamenter, narkotika eller alkohol. Ett øyeblikks uoppmerksomhet under bruk av elektriske verktøy kan føre til alvorlig personskade.
- Bruk personlig verneutstyr. Bruk alltid vernebriller. Verneutstyr slik som støvmaske, sklisikre vernesko, hjelm, eller hørselsvern brukt under passende forhold vil redusere personskader.
- Forhindre utilsiktet start. Kontroller at bryteren står i posisjon "av" før du kobler til strømkilden og/eller batteripakken, og før du tar opp eller bærer verktøyet. Å bære elektriske verktøy med fingeren på bryteren eller å sette inn støpselet mens elektriske verktøy har bryteren på øker faren for ulykker.
- Fjern eventuelt innstillingsverktøy eller skruverktøy før du slår på elektroverktøyet. Et skruverktøy eller en nøkkel som fortsatt er festet til en roterende del av elektroverktøyet, kan føre til personskade.
- Ikke strekk deg for langt. Ha godt foffeste og stå støtt hele tiden. Dette fører til at du har bedre kontroll over det elektriske verktøyet ved uventede situasjoner.
- Bruk egnede klær. Ikke ha på deg løstsittende klær eller smykker. Hold hår, antrekk og hansker borte fra bevegelige deler. Løstsittende klær, smykker og langt hår kan bli fanget opp av bevegelige deler.
- Hvis det kan monteres støvavsug- og oppsamlingsinnretninger, må du forvisse deg om at disse er tilkoblet og brukes på riktig måte. Bruk av støvoppsamlere kan redusere støvrelaterte farer.

4. Bruk og behandling av elektroverktøy

- Ikke bruk makt på elektroverktøyet. Bruk det elektriske verktøyet som situasjonen krever. Det riktige elektriske verktøyet vil gjøre jobben bedre og tryggere ved den hastigheten det ble konstruert for.
- Ikke bruk elektroverktøyet hvis du ikke kan slå det på og av med bryteren. Ethvert elektrisk verktøy som ikke kan kontrolleres med bryteren er farlig og må repareres.
- Trekk støpselet ut av stikkkontakten og/eller koble fra batteripakken på elektroverktøyet før du utfører innstillinger, bytter tilbehør eller legger elektroverktøyet bort for lagring. Slike preventive sikkerhetsforanstaltninger reduserer risikoen for å starte det elektriske verktøyet ved et uhell.

- Elektroverktøy som ikke er i bruk, må oppbevares utilgjengelig for barn. Ikke la verktøyet bli brukt av personer som ikke er fortrolige med det, eller som ikke kjenner disse instruksjonene. Elektriske verktøy er farlige i hendene på utrenede brukere.
- Sørg for vedlikehold av elektroverktøy. Undersøk om bevegelige deler er feiljustert eller blokkert, om deler er skadet, og om det er andre forhold som kan påvirke elektroverktøets funksjon. Dersom det er skadet, få verktøyet reparert før neste bruk. Mange ulykker forårsakes av dårlig vedlikeholdte verktøy.
- Hold skjæreverktøy skarpe og rene. Godt vedlikeholdte skjæreverktøy med skarpe skjærekanten setter seg mindre sannsynlig fast og er lettere å kontrollere.
- Bruk elektroverktøy, tilbehør, bits osv. i henhold til disse instruksjonene. Ta hensyn til arbeidsforholdene og arbeidet som skal utføres. Bruk av det elektriske verktøyet for oppgaver som er forskjellige fra de som er tiltenkt kan føre til en farlig situasjon.

5. Bruk og stell av batteriverktøy

- Ladningen skal bare skje med den laderen som produsenten har spesifisert. En lader som passer for en type batteripakke kan føre til risiko for brann dersom den brukes på en annen batteripakke.
- Bruk elektroverktøy bare sammen med spesifikt angitte batteripakker. Bruk av andre batteripakker kan føre til risiko for personskade og brann.
- Når batteripakken ikke er i bruk, må du oppbevare den atskilt fra andre metallgjenstander som binders, mynter, nøkler, spiker, skruer eller andre små metallgjenstander som kan opprette en forbindelse fra en terminal til en annen. Kortslutning av batteripolene mot hverandre kan føre til brannskader eller brann.
- Ved feilaktig bruk kan det komme væske ut av batteriet, unngå kontakt med den. Dersom du kommer i kontakt med den, skyll av med vann. Dersom du får væsken i øynene, søk legehjelp. Væske som kommer ut av batteriet kan føre til irritasjon eller brannskader.

6. Service

- Elektroverktøyet skal repareres av kvalifisert personell og bare med originale reservedeler. Dette vil sikre at verktøyet sikkerhet blir ivaretatt.

Ytterligere sikkerhetsadvarsler for elektroverktøy



Advarsel! Ytterligere sikkerhetsadvarsler for sliping, pussing, trådbørsting, polering eller slipekutting.

- ◆ Dette verktøyet er beregnet til bruk ved sliping, pussing, trådbørsting, polering eller kutting. Les alle

sikkerhetsanvisninger, instruksjoner, illustrasjoner og spesifikasjoner som følger dette elektriske verktøyet. Manglende overholdelse av instruksjonene som er listet opp under kan resultere i elektrosjokk, ild og/eller alvorlig skade.

- ◆ Dersom elektroverktøyet brukes til andre oppgaver enn det er tiltenkt, kan det føre til fare og forårsake personskade.
- ◆ Ikke bruk tilbehør som ikke er spesifikt utformet og anbefalt av verktøyprodusenten. Selv om tilbehøret kan kobles til elektroverktøyet, sikrer ikke dette trygg drift.
- ◆ Den normerte hastigheten til tilbehøret må være minst like stor som maksimalhastigheten som er angitt på elektroverktøyet. Tilbehør som går fortere enn merkehastigheten sin, kan bli ødelagt og fly i stykker
- ◆ Den utvendige diameteren og tykkelsen til tilbehøret må være innenfor den normerte kapasiteten til elektroverktøyet. Tilbehør med feil størrelse kan ikke beskyttes eller kontrolleres tilstrekkelig.
- ◆ Gjenget montering av tilbehør må samsvare med spindelgjenget på slipeskiven. For tilbehør montert på flens, må senterhullet på tilbehøret passe til diameteren på flensen. Tilbehør som ikke passer monteringsdelene på elektroverktøyet, vil rotere eksentrisk, vibrere for mye og kan føre til at du mister kontrollen.
- ◆ Ikke bruk tilbehør som er skadet. Før hver bruk må du inspirere tilbehøret, som slipeskiven, for hakk og sprekker, festeplatene må inspiseres for sprekker, rifter eller slitasje, og stålborsten må inspiseres for løse eller sprukne tråder. Dersom elektroverktøyet eller tilbehøret slippes ved et uhell, må du kontrollere om det er skadet eller montere uskadet tilbehør. Etter å ha inspisert og installert et tilbehør, still deg selv og eventuelle tilstedeværende bort fra planet for det roterende tilbehøret og kjør elektroverktøyet på maksimal, ubelastet hastighet i ett minutt. Skadet tilbehør vil normalt rives i stykker under denne testen.
- ◆ Bruk personlig verneutstyr. Avhengig av bruksområdet må du bruke ansiktsvern eller vernebriller. Bruk støvmaske, hørselsvern, hansker og verkstedforkle som kan stoppe små slipefragmenter eller deler fra arbeidsstykket. Øyebeskyttelsen må kunne stoppe flygende biter som kan løse fra arbeidsstykket. Støvmasken eller gassmasken må kunne filtrere partikler som dannes under arbeidet. Langvarig eksponering for høyintensiv støy kan føre til hørselstap.
- ◆ Hold personer i nærheten på trygg avstand fra arbeidsområdet. Personer som går inn i arbeidsområdet, må bruke personlig verneutstyr. Fragmenter fra arbeidsstykket eller ødelagt tilbehør kan fly av gårde, og kan føre til skader langt ut over det umiddelbare arbeidsområdet.

- ◆ Hold det elektriske verktøyet i de isolerte gripeoverflater når du utfører operasjoner hvor kutteutstyret kan komme i kontakt med skjulte ledninger eller egen ledning. Kapping av en strømførende ledning kan føre til at eksponerte metallgeler på elektroverktøyet blir strømførende, og kan gi operatøren støt.
- ◆ Hold ledningen unna roterende tilbehør. Hvis du mister kontrollen, kan ledningen bli kuttet av eller henge seg fast, og hånden eller armen din kan bli dratt inn i det roterende tilbehøret.
- ◆ Ikke legg elektroverktøyet ned før det har stoppet helt. Det roterende tilbehøret kan ta tak i overflaten og trekke elektroverktøyet ut av kontrollen din.
- ◆ Ikke kjør elektroverktøyet mens du bærer det langsiden. Utilsiktet kontakt med det roterende tilbehøret kan føre til at det kjører seg fast i klærne dine og trekker tilbehøret inn i kroppen din.
- ◆ Rengjør luftenåpningene på elektroverktøyet jevnlig. Motorviften vil trekke støvet inn i kabinettet, og overdreven oppsamling av forstøvet metall kan føre til elektriske farlige situasjoner.
- ◆ Ikke bruk elektroverktøyet i nærheten av brennbare materialer. Gnister kan antenne dette materialet.
- ◆ Ikke bruk tilbehør som krever kjølevæske. Bruk av vann eller andre flytende kjølemidler kan føre til elektrisk støt eller sjokk.

Merk: Advarselen ovenfor gjelder ikke elektroverktøy som er utformet spesielt for bruk sammen med et væskesystem.

Advarsler om tilbakeslag og lignende

Tilbakeslag er en plutselig reaksjon på et fastklemt eller fastkjørt roterende skive, støttetallerken, børste eller annet tilbehør. Hvis det roterende tilbehøret blir klemt eller sitter fast, stanser det brått, og dette tvinger det ukontrollerte elektroverktøyet i motsatt retning av rotasjonen til tilbehøret i koblingspunktet.

For eksempel, hvis en slipeskive kjøres fast eller klemmes fast i arbeidsstykket, kan kanten av den skiven som går inn i klempunktet grave seg inn i overflaten på materialet og føre til at skiven hopper ut eller kastes ut. Skiven kan hoppe mot eller bort fra brukeren avhengig av bevegelsesretningen til skiven i klempunktet. Slipeskiver kan også bli ødelagt under slike forhold.

Tilbakeslag er et resultat av feil bruk av elektroverktøyet og/eller feil bruksprosedyrer eller bruksforhold, og kan unngås ved at du tar riktige forholdsregler som forklart nedenfor.

- ◆ Hold elektroverktøyet med et fast grep, og stå med kroppen og armene slik at du kan motstå tilbakeslagskrefter. Bruk alltid hjelpehåndtak, hvis det følger med, for å ha best mulig kontroll over tilbakeslags- eller dreiningreaksjoner under start.

Brukeren kan kontrollere dreiningsreaksjoner eller tilbakeslagskrefter hvis det tas riktige forholdsregler.

- ◆ **Plasser aldri hånden i nærheten av det roterende tilbehøret.** Tilbehøret kan slå tilbake over hånden.
- ◆ **Ikke plasser kroppen i området der elektroverktøyet vil bevege seg ved tilbakeslag.** Et tilbakeslag vil sende verktøyet i den motsatte retningen av skivens bevegelse i festepunktet.
- ◆ **Vær spesielt varsom når du arbeider ved hjørner, skarpe kanter osv. Unngå at tilbehøret hopper eller blir sittende fast.** Hjørner, skarpe kanter eller hopping har en tendens til å kjøre fast det roterende tilbehøret og føre til tilbakeslag eller at du mister kontrollen.
- ◆ **Ikke sett på et kjedesagblad for tre eller et tannet sagblad.** Slike blad fører ofte til tilbakeslag og at du mister kontrollen.

Spesielle sikkerhetsadvarsler for sliping og slipekuttingsoppgaver:

- ◆ **Bruk bare skivetyper som er anbefalt for elektroverktøyet og det spesielle vernet som er utformet for den valgte skiven.** Skiver som elektroverktøyet ikke ble laget for, er ikke tilstrekkelig beskyttet og er farlige.
- ◆ **Slipeflaten på skiver med midtstilt trykk må monteres under planet til leppen på vernet.** Feilmontert hjul som går utenfor planet på beskyttelseskannten kan ikke beskyttes tilstrekkelig.
- ◆ **Vernet må være sikkert festet til elektroverktøyet og må være plassert for maksimal sikkerhet, så en minst mulig del av skiven er eksponert mot brukeren.** Vernet bidrar til å beskytte brukeren mot fragmenter av ødelagte skiver, kontakt med skiven ved et uhell og gnister som kan antenne klærne.
- ◆ **Skiver må bare brukes til anbefalte anvendelser. For eksempel: ikke slip med siden av kappeskiven.** Slipende kappeskiver er laget for kantsliping, dersom det brukes sidekrefter på disse skivene kan det få dem til å knuses.
- ◆ **Bruk alltid skiveflenser uten skader og med korrekt størrelse og form for den valgte skiven.** Riktige skiveflenser støtter skiven og reduserer dermed muligheten for at skiven går i stykker. Flenser for kappeskiver kan være annerledes enn flenser for slipeskiver.
- ◆ **Ikke bruk slitte skiver fra større elektroverktøy.** Skiver beregnet på større elektroverktøy er ikke egnet for den høyere hastigheten til et mindre verktøy og kan ødelegges.

Ytterligere spesielle sikkerhetsadvarsler for slipekuttingsoppgaver

- ◆ **Ikke kjør fast kutteskiven, og ikke bruk makt. Ikke forsøk å kutte for dypt.** Hvis skiven overbelastes, kan det øke kreftene og tendensen til å vri eller sette fast skiven i

kuttet og øke muligheten for tilbakeslag eller at skiven går i stykker.

- ◆ **Ikke plasser kroppen på linje med og bak den roterende skiven.** Når skiven, i arbeidspunktet, beveger seg bort fra kroppen din, kan et mulig tilbakeslag sende den roterende skiven og elektroverktøyet direkte mot deg.
- ◆ **Når skiven setter seg fast, eller du avbryter et kutt av én eller annen grunn, må du slå av elektroverktøyet og holde det uten å bevege det til skiven stanser helt.** Forsøk aldri å fjerne kappeskiven fra kuttet mens skiven beveger seg ellers kan det oppstå tilbakeslag. Undersøk og sørg for å fjerne årsakene til fastklemming av bladet.
- ◆ **Ikke start kutteoperasjonen på nytt i arbeidsstykket. La skiven nå full hastighet og gå forsiktig tilbake i kuttet.** Skiven kan komme til å sette seg fast, bevege seg framover eller slå tilbake dersom den startes opp igjen i arbeidsstykket.
- ◆ **Støtt plater eller andre store arbeidsstykker for å minimere risikoen for klemming av skiven og tilbakeslag.** Store arbeidsstykker har en tendens til å henge ned under sin egen vekt. Det må plasseres støtter under arbeidsstykket på begge sider av skiven, nær kuttelinjen og nær kanten av panelet.
- ◆ **Vær ekstra varsom når du kutter en "lomme" i eksisterende vegger eller andre steder du ikke ser.** Skiven stikker ut og kan komme til å kappe gass- eller vannrør, elektriske ledninger eller gjenstander som kan føre til tilbakeslag.

Spesielle sikkerhetsadvarsler for pussing

- ◆ **Ikke bruk for store sandpapirskiver. Følg produsentens anbefalinger når du velger sandpapir.** Sandpapir som er større enn pusseskiven, kan føre til opprinningsfare, og tilbakeslag eller at skiven kjører seg fast eller flenges opp.

Spesielle sikkerhetsadvarsler for polering

- ◆ **Ikke la noen løse deler av poleringshetten eller festene snurre fritt. Gjem eller kutt av løse tilbehørsstrenger.** Løse og roterende tilbehørsstrenger kan snurre seg rundt fingrende dine eller kjøre seg fast i arbeidsstykket.

Spesielle sikkerhetsadvarsler for trådbørsting

- ◆ **Vær klar over at tråder fra busten kastes ut av børsten selv ved vanlig bruk. Ikke overbelast busten ved å bruke for mye makt på børsten.** Stålbusten kan lett trenge i gjennom lette klær og/eller hud.
- ◆ **Hvis bruk av et vern er anbefalt for trådbørsting, må ikke trådsbørsting eller børsten komme i kontakt med vernet.** Diameteren til trådsbørsting eller børsten kan øke på grunn av arbeidsbelastning og sentrifugalkrefter.



Advarsel! Kontakt med eller innånding av støv som oppstår ved pussing, kan være helse-skadelig for brukeren og eventuelle personer i nærheten. Bruk en støvmaske som er spesielt utformet for å beskytte mot støv og damp/gass, og pass på at personer som er i eller kommer inn i arbeidsområdet, også er beskyttet.

Andre personers sikkerhet

- ◆ Dette apparatet kan brukes av barn som er 8 år eller eldre samt av personer som har reduserte fysiske, sanselige eller mentale evner, eller som mangler erfaring og kunnskap, hvis de har tilsyn eller har fått veiledning i bruk av apparatet på en trygg måte og forstår farene som foreligger.
- ◆ Barn skal ikke leke med apparatet. Rengjøring og bruker-vedlikehold skal ikke utføres av barn uten tilsyn.

Restrisikoer

Når verktøyet brukes, kan det oppstå ytterligere risikoer som kanskje ikke er beskrevet i de medfølgende sikkerhetsadvarsler. Disse risikoene kan bli forårsaket av feil bruk, langvarig bruk osv.

Selv om de relevante sikkerhetsbestemmelsene blir fulgt, og sikkerhetstiltakene blir gjennomført, kan visse gjenværende risikoer ikke unngås. Disse inkluderer:

- ◆ ersonskader som forårsakes av berøring av en roterende/bevegelig del.
- ◆ Personskader som forårsakes av at en del, et blad eller tilbehør endres.
- ◆ Personskader som skyldes for lang tids bruk av verktøyet. Når du bruker et verktøy i lange perioder, må du sørge for å ta regelmessige pauser.
- ◆ Hørselskader.
- ◆ Helsefare som forårsakes av innånding av støv som dannes når du bruker verktøyet (eksempel: arbeid med tre, spesielt eik, bøk og MDF)

Vibrasjon

Vibrasjonsemisjonsverdien som er angitt under tekniske data og samsvarserklæring, er blitt målt i henhold til en standard testmetode som er angitt i EN 60745, og kan brukes til å sammenligne et verktøy med et annet. Den oppgitte vibrasjonsemisjonsverdien kan også brukes til en foreløpig vurdering av eksponering.

Advarsel! Vibrasjonsemisjonsverdien under faktisk bruk av elektroverktøyet kan avvike fra den oppgitte verdien avhengig av måten verktøyet blir brukt på. Vibrasjonsnivået kan øke over nivået som er oppgitt.

Når det vurderes vibrasjonseksponering for å avgjøre hvilke sikkerhetstiltak som kreves ifølge 2002/44/EF, for å beskytte personer som bruker elektroverktøy regelmessig til

arbeidsformål, skal det, når vibrasjonseksponeringen anslås, tas hensyn til de faktiske bruksforholdene og måten verktøyet blir brukt på. Dette inkluderer å ta hensyn til alle deler av brukssyklusen, for eksempel når verktøyet er avslått, når det går på tomgang og når utløseren er trykket inn.

Etiketter på verktøyet

Følgende advarselssymboler vises på verktøyet sammen med datokoden:



Advarsel! Brukeren må lese håndboken for å redusere risikoen for personskade.



Benytt vernebriller når du bruker dette produktet.



Benytt hørselsvern når du bruker dette verktøyet.

Ytterligere sikkerhetsinstruksjoner for batterier og ladere

Batterier

- ◆ Forsøk aldri å åpne av noen årsak.
- ◆ Ikke utsett batteriet for vann.
- ◆ Ikke oppbevar det på steder hvor temperaturen kan komme over 40 °C.
- ◆ Lad bare ved temperaturer mellom 10 °C og 40 °C.
- ◆ Bruk bare laderen som følger med verktøyet.
- ◆ Følg instruksjonene i avsnittet "Miljøvern" når du skal kaste batterier.



Ikke forsøk å lade opp skadede batterier.

Ladere

- ◆ Stanley Fat Max-laderen skal bare brukes til å lade batteriet i apparatet som laderen kom sammen med. Andre batterier kan sprekke og føre til personskade og materiell skade.
- ◆ Prøv aldri å lade ikke-oppladbare batterier.
- ◆ Skift ut defekte ledninger umiddelbart.
- ◆ Ikke utsett laderen for vann.
- ◆ Ikke åpne laderen.
- ◆ Ikke stikk gjenstander eller fingre inn i laderen.



Laderen er bare beregnet for innendørs bruk.



Les denne håndboken før bruk.

Elektrisk sikkerhet



Denne laderen er dobbeltisolert. Jording er derfor ikke nødvendig. Kontroller alltid at nettpenningen er i overensstemmelse med spenningen på typeskiltet. Ikke skift ut laderen med et vanlig nettstøpsel.

- ◆ Hvis strømledningen blir skadet, må den skiftes av produsenten eller et autorisert Stanley Fat Max-servicesenter så man unngår farlige situasjoner.

Funksjoner

Dette apparatet har noen av eller alle funksjonene nedenfor.

1. Låsebryter
2. Avtrekker-bryter
3. Sidehåndtak
4. Spindellås
5. Slipesvern
6. Slipeskive
7. Batteri
8. Nøkkel med to tapper

Figur A

9. Batterilader
10. Ladeindikator

Bruk

Advarsel! La verktøyet arbeide i sin egen hastighet. Må ikke overbelastes.

- ◆ Vær forberedt på en strøm av gnister når slipe- eller kappeskibven berører arbeidsstykket.
- ◆ Plasser alltid verktøyet slik at vernet gir maksimal beskyttelse mot slipe- eller kappeskiven.

Lading av batteriet (Fig. A)

Batteriet må lades før første gang det brukes, og hver gang det ikke lenger gir nok strøm til oppgaver som tidligere ble utført uten problemer. Batteriet kan bli varmt under lading. Dette er normalt og innebærer ikke feil.

Advarsel! Ikke lad batteriet ved omgivelsestemperaturer under 10 °C eller over 40 °C. Anbefalt ladetemperatur er ca. 24 °C.

Merk: Laderen vil ikke lade et batteri hvis celletemperaturen er under ca. 10 °C eller over 40 °C.

Du bør la batteriet stå i laderen. Laderen begynner å lade automatisk når celletemperaturen blir høyere eller lavere.

- ◆ Når du skal lade batteriet (7), setter du det inn i laderen (9). Batteriet kan bare settes i laderen på én måte. Ikke bruk kraft. Pass på at batteriet sitter helt inne i laderen.

- ◆ Sett i laderen, og slå på ved strømmen. Ladeindikatoren (10) vil blinke.
- Ladingen er fullført når ladeindikatoren (10) lyser kontinuerlig. Laderen og batteriet kan las være tilkoblet så lenge du måtte ønske. LED-lampen tennes når laderen av og til "fyller på" batteriladningen.
- ◆ Lad utladede batterier innen 1 uke. Batterienes levetid blir mye kortere hvis de oppbevares utladet.

La batteriet være i laderen

Laderen og batteripakken kan forbli tilkoblet med lysende LED-lys i ubegrenset tid. Laderen holder batteripakken klar og fulladet.

Laderdiagnose

Hvis laderen oppdager et svakt eller skadet batteri, blinker ladeindikatoren (10) rødt med rask takt. Fortsett som følger:

- ◆ Sett inn batteriet (7) på nytt.
- ◆ Hvis ladeindikatoren fortsetter å blinke rødt i rask takt, må du bruke et annet batteri for å finne ut om ladeprosessen fungerer som den skal.
- ◆ Hvis den nye batteripakken lades korrekt, er den opprinnelige batteripakken defekt og bør leveres til et service-senter for resirkulering.
- ◆ Hvis det nye batteriet gir samme indikasjon som det opprinnelige batteriet, bringer du laderen til et autorisert servicesenter.

Merk: Det kan ta så mye som 30 minutter å avgjøre om batteriet er defekt. Hvis batteriet er for varmt eller for kaldt, blinker LED-lampen rødt vekslende raskt og langsomt, ett blink ved hver hastighet med gjentakelse.

Slå på og av

- ◆ For å slå på skyver du låsebryteren (1) fremover og trykker på og holder i utløserbryteren (2).
- ◆ Slipp utløserbryteren (2) for å slå av.

Advarsel! Ikke slå verktøyet på eller av mens det er under belastning.

Advarsel! Skyv alltid låsebryteren (1) bakover, låst posisjon, når verktøyet ikke er i bruk.

Råd for optimal bruk

- ◆ Hold verktøyet fast med den ene hånden rundt sidehåndtaket og den andre hånden rundt hovedhåndtaket.

Overflatesliping med slipeskiver

- ◆ La verktøyet komme opp i full hastighet før du lar det berøre arbeidsoverflaten.
- ◆ Bruk minimalt trykk mot arbeidsflaten for å la verktøyet gå med full hastighet. Slipehastigheten er høyest når verktøyet går med høy hastighet.
- ◆ La det være en vinkel på 20° til 30° mellom verktøyet og arbeidsoverflaten.

- ◆ Flytt verktøyet kontinuerlig i en bevegelse fremover og bakover for å unngå å lage uthulinger i arbeidsoverflaten.
- ◆ Løft verktøyet fra arbeidsflaten før du slår verktøyet av. La verktøyet stoppe rotasjonen før du legger det ned.

Kantsliping med slipeskiver

Skiver som brukes til kutting og kantsliping, kan gå i stykker eller slå tilbake hvis de bøyer eller vrir seg mens verktøyet brukes til avkutting eller dysplicing. For å redusere faren for alvorlig skade må du begrense bruken av disse skivene med et standard Type 27-vern for grunne kutt og hakk (mindre enn 13 mm dybde). Den åpne siden av beskyttelsen skal peke bort fra brukeren. For dypere kutting med type 1 kappeskiver, bruk en lukket beskyttelse, type 1. Se diagrammet over sliping og kutting som du finner bak i språkdelen.

- ◆ La verktøyet komme opp i full hastighet før du lar det berøre arbeidsoverflaten.
- ◆ Bruk minimalt trykk mot arbeidsflaten for å la verktøyet gå med full hastighet. Slipehastigheten er høyest når verktøyet går med høy hastighet.
- ◆ Plasser deg slik at den åpne undersiden av hjulet peker bort fra deg.
- ◆ Når du har startet et kutt og har laget et spor i arbeidsstykket, ikke endre vinkelen på kuttet. Endring av vinkelen kan føre til at skiven bøyer seg og kan brenke. Skiver for kantsliping er ikke designet for å motstå sidetrykk fra bøyning.
- ◆ Løft verktøyet fra arbeidsflaten før du slår verktøyet av. La verktøyet stoppe rotasjonen før du legger det ned.

Ikke bruk skiver for kantsliping/kapping for sliping av overflater, da slike skiver ikke er designet for sidetrykk som oppstår ved overflatesliping. Det kan føre til at skivene brenker og til personskader.

Overflatefinpussing med pusseklaffskiver

- ◆ La verktøyet komme opp i full hastighet før du lar det berøre arbeidsoverflaten.
- ◆ Bruk minimalt trykk mot arbeidsflaten for å la verktøyet gå med full hastighet. Slipehastigheten er høyest når verktøyet går med høy hastighet.
- ◆ La det være en vinkel på 5° til 10° mellom verktøyet og arbeidsoverflaten.
- ◆ Flytt verktøyet kontinuerlig i en bevegelse fremover og bakover for å unngå å lage uthulinger i arbeidsoverflaten.
- ◆ Løft verktøyet fra arbeidsflaten før du slår verktøyet av. La verktøyet stoppe rotasjonen før du legger det ned.

Bruke pusseunderlagsskiver

Velg sandpapirskiver med passende finhet for din bruk. Sandpapirskiver kan leveres med ulik finhet. Grovt papir gir raskere sliping og grovere overflate. Fint papir gir langsommere sliping og glattere overflate. Begynn med grovt papir for rask og grov materialfjerning. Gå

over til middels finhet og avslutt med fint sandpapir for optimal overflatefinish.

- ◆ Grov kornstørrelse 16 - 30
- ◆ Middels kornstørrelse 36 - 80
- ◆ Kornstørrelse på 100 - 120 til fin finishing
- ◆ Kornstørrelse på 150 - 180 til svært fin finishing
- ◆ La verktøyet komme opp i full hastighet før du lar det berøre arbeidsoverflaten.
- ◆ Bruk minimalt trykk mot arbeidsflaten for å la verktøyet gå med full hastighet. Slipehastigheten er høyest når verktøyet går med høy hastighet.
- ◆ La det være en vinkel på 5° til 15° mellom verktøyet og arbeidsoverflaten. Pusseskiven bør berøre omtrent én tomme (25 mm) av arbeidsoverflaten.
- ◆ Beveg verktøyet konstant i en rett linje for å unngå sving eller sirkelspor på arbeidsflaten. Dersom du lar verktøyet hvile mot arbeidsflaten uten å bevege det, eller beveger verktøyet i sirkler kan føre til svimerker eller sirkelspor på arbeidsflaten.
- ◆ Løft verktøyet fra arbeidsflaten før du slår verktøyet av. La verktøyet stoppe rotasjonen før du legger det ned.

Bruke trådkoppbørster og trådkiver

Stålbørster/hjul kan brukes for å fjerne rust, skall og maling og for å glatte ujevne overflater.

Merk: Samme forholdsregler må tas når du trådbørster maling som når du pusser maling.

- ◆ La verktøyet komme opp i full hastighet før du lar det berøre arbeidsoverflaten.
 - ◆ Bruk minimalt trykk mot arbeidsflaten for å la verktøyet gå med full hastighet. Slipehastigheten er høyest når verktøyet går med høy hastighet.
 - ◆ La det være en vinkel på 5° til 10° mellom verktøyet og arbeidsoverflaten trådkoppbørster.
 - ◆ Oppretthold kontakt mellom kanten av skiven og arbeidsflaten når du bruker stålbørste.
 - ◆ Flytt verktøyet kontinuerlig i en bevegelse fremover og bakover for å unngå å lage uthulinger i arbeidsoverflaten. Dersom du lar verktøyet hvile mot arbeidsflaten uten å bevege det, eller beveger verktøyet i sirkler kan føre til svimerker eller sirkelspor på arbeidsflaten.
 - ◆ Løft verktøyet fra arbeidsflaten før du slår verktøyet av. La verktøyet stoppe rotasjonen før du legger det ned.
- Vær ekstra forsiktig ved arbeid på en kant, da en plutselig rask bevegelse av slipemaskinen kan oppleves.

Forholdsregler ved pussing eller trådbørsting av maling

- ◆ Sliping av blyholdig maling er IKKE ANBEFALT grunnet vanskeligheten med å kontrollere det forurensete støvet. Den største faren for blyforgiftning er for barn og gravide kvinner.

- ◆ Ettersom det er vanskelig å identifisere hvorvidt en maling inneholder bly uten en kjemisk analyse anbefaler vi følgende forholdsregler ved sliping av maling:

Personsikkerhet

- ◆ Ingen barn eller gravide kvinner skal gå inn i arbeidsområdet under sliping av maling før all opprydding er gjort ferdig.
- ◆ En støvmaske eller respirator skal brukes av alle personer som går inn i arbeidsområdet. Filteret skal skiftes daglig eller når brukeren har problemer med å puste.

Merk: Det skal kun brukes spesielle støvmasker for blyholdig maling og damp. Vamlige malmasker gir ikke nok beskyttelse. Se din lokale jernvareforretning for en riktig godkjent støvmaske.

- ◆ INGEN SPISING, DRIKKING eller RØYKING skal foregå i arbeidsområdet for å hindre inntak av forurensede malingspartikler. Arbeidere må vaske seg FØR spising, drikking eller røyking. Mat-, drikke-, og røykartikler må ikke legges igjen i arbeidsområdet der støv kan legge seg på dem.

Miljømessig sikkerhet

- ◆ Maling må fjernes på en slik måte at minimalt med støv produseres.
- ◆ Områder der det foregår fjerning av maling bør forsegles med plast med 4 mil tykkelse.
- ◆ Sliping må gjøres på en slik måte at malingstøv ikke tas med utenfor arbeidsområdet.

Rengjøring og avhending

- ◆ Alle overflater i arbeidsområdet må støvsuges og grundig rengjøres daglig mens slipingen pågår. Støvsugerposer skal byttes ofte.
- ◆ Tildekkinger av plast må samles opp og avhendes sammen med støvspon og annet rusk. De skal plasseres i forseglede avfallsbeholdere og kastes som vanlig avfall. Under rengjøring skal barn og gravide kvinner holdes unna arbeidsområdet.
- ◆ Alle leketøy, vaskbar møbler og ting brukt av barn må vaskes grundig før de brukes igjen.

Bruke kutteskiver

Ikke bruk skiver for kantsliping/kapping for sliping av overflater, da slike skiver ikke er designet for sidetrykk som oppstår ved overflatesliping. Det kan føre til at skivene brykker og til personskader.

- ◆ La verktøyet komme opp i full hastighet før du lar det berøre arbeidsoverflaten.
- ◆ Bruk minimalt trykk mot arbeidsflaten for å la verktøyet gå med full hastighet. Slipehastigheten er høyest når verktøyet går med høy hastighet.

- ◆ Når du har startet et kutt og har laget et spor i arbeidsstykket, ikke endre vinkelen på kuttet. Endring av vinkelen kan føre til at skiven bøyer seg og kan brykke.
- ◆ Løft verktøyet fra arbeidsflaten før du slår verktøyet av. La verktøyet stoppe rotasjonen før du legger det ned.

Vedlikehold

Stanley Fat Max-verktøyet ditt er konstruert for å være i drift over lengre tid med et minimum av vedlikehold. For at den skal fungere tilfredsstillende over tid, er det viktig å sørge for riktig stell av verktøyet og regelmessig renhold.

Laderen krever ikke annet vedlikehold enn regelmessig rengjøring.

Advarsel! Før du utfører vedlikehold på elektriskdrevet/batteridrevet elektroverktøy:

- ◆ Slå av apparatet/verktøyet og trekk ut støpselet.
- ◆ Eller slå av apparatet/verktøyet og fjern batteriet fra dette hvis apparatet/verktøyet har separat batteripakke.
- ◆ Eller la batteriet gå helt tomt hvis det er innebygd, og slå deretter av.
- ◆ Trekk ut laderen fra stikkkontakten før du rengjør den. Laderen krever ikke annet vedlikehold enn regelmessig rengjøring.
- ◆ Rengjør ventilasjonsåpningene i apparatet/verktøyet/laderen jevnlig med en myk børste eller tørr klut.
- ◆ Rengjør motorhuset regelmessig med en fuktig klut. Ikke bruk slipende eller løsemiddelbaserte rengjøringsmidler.
- ◆ Åpne borelåsen regelmessig, og bank på den for å fjerne eventuelt støv fra innsiden (hvis det er aktuelt).

Miljøvern



Separat avfallshåndtering. Produkter og batterier merket med dette symbolet skal ikke kastes i vanlig husholdningsavfall.

Produkter og batterier inneholder materialer som kan gjenbrukes eller gjenvinnes for å redusere behovet for nye råmaterialer.

Vennligst lever elektrisk utstyr og batterier til gjenbruk i henhold til lokale regler. Mer informasjon finner du på www.2helpU.com.

Hvis du ønsker mer informasjon, kontakt Stanley Fat Max på følgende adresse, eller se på baksiden av bruksanvisningen.

Undertegnede er ansvarlig for sammenstillingen av den tekniske filen og fremsetter denne erklæringen på vegne av Stanley Fat Max.

R. Laverick

Engineering Director

Stanley Fat Max Europe, Egide Walschaertsstraat14-18,
2800 Mechelen, Belgia

01.10.2018

Garanti

Stanley Fat Max er trygg på kvaliteten av produktene sine og tilbyr en 12 måneders garanti fra kjøpsdato. Denne garantierklæringen kommer i tillegg til dine lovbestemte rettigheter og er ikke i konflikt med disse. Garantien er gyldig innen områdene tilhørende medlemslandene i den Europeiske Union (EU) og det Europeiske Frihandelsområdet (EFTA).

For å ta garantien i bruk må kravet være i samsvar med kjøpsbetingelsene fra Stanley Fat Max og du må vise kjøpskvittering til forhandleren eller til et autorisert serviceverksted. Betingelsene for Stanley Fat Max 1 års garanti og adressen til din nærmeste autoriserte serviceverksted kan du finne på internett under www.2helpU.com, eller ved å kontakte ditt lokale Stanley Fat Max kontor, adressen er angitt i denne bruksanvisningen.

Besøk vår webside www.stanley.eu/3 for å registrere ditt nye Stanley Fat Max produkt og for å holde deg oppdatert om nye produkter og spesialtilbud.

Tekniske data

FMC761 (H1)		
Spenning	V _{DC}	18
Ubelastet hastighet	Min ⁻¹	9,000
Skivediameter	mm	125
Skivehulldimensjon	mm	22
Maks. skivitykkelse		
slipeskive	mm	6
kappeskive	mm	3,5
Spindeldiameter		M14
Spindellengde (med den indre flensen montert)	mm	14
Spindellengde (uten den indre flensen montert)	mm	19,5
Vekt	kg	2,9

Lader	905998**	906086**
Inngangsspenning	V _{AC} 230	230
Utgangsspenning	V _{DC} 18	18
Strøm	A 1	2
Omtrentlig ladetid	min 90-240	45-120

Batteri	FMC685L	FMC687L	FMC688L
Spenning	V _{AC} 18	18	18
Kapasitet	Ah 1,5	2,0	4,0
Type	Li-Ion	Li-Ion	Li-Ion

Lydtryknivå i henhold til EN 60745:

Lydtrykk (L_{pa}) 80,5 dB(A), usikkerhet (K) 3 dB(A)

Lydeffekt (L_{wa}) 91,5 dB(A), usikkerhet (K) 3 dB(A)

Totale vibrasjonsverdier (vektorsum fra tre retninger) bestemt i samsvar med EN 60745:

Overflatesliping (a_{h,SG}) 3,9 m/s², usikkerhet (K) 1,5 m/s²

Polering (a_{h,p}) 2,0 m/s², usikkerhet (K) 1,5 m/s²

Skivesliping (a_{h,DS}) 4,5 m/s², usikkerhet (K) 1,5 m/s²

Forsiktig! Bruksområder som kapping eller stålborster kan ha ulike vibrasjonsverdier.

EU-samsvarserklæring MASKINERIDIREKTIV



FMC761 - trådløs vinkelsliper

Stanley Europe erklærer at disse produktene som er beskrevet under "Tekniske data", er i samsvar med: EN60745-1:2009+A11:2010, EN60745-2-3:2011+A12:2014

Disse produktene er også i samsvar med direktivet 2006/42/EC, 2014/30/EU og 2011/65/EU.

Tilsigtet brug

Din Stanley Fat Max FMC761-vinkelsliber er designet til at slibe og skære metal og murværk vha. den rette type skære- eller slibeskive. Værktøjet skal være udstyret med den passende beskyttelsesskærm. Dette værktøj er beregnet til erhvervsmæssige brugere og private ikke-erhvervsmæssige brugere.

Sikkerhedsinstruktioner

Generelle sikkerhedsadvarsler vedrørende elværktøj



Advarsel! Læs alle sikkerhedsadvarsler og alle instruktioner. Hvis nedenstående advarsler og instruktioner ikke følges, er der risiko for elektrisk stød, brand og alvorlige personskader.

Gem alle advarsler og anvisninger til senere brug. Begrebet "elværktøj", der benyttes i nedenstående advarsler, henviser til netdrevet elværktøj (med netledning) eller batteridrevet elværktøj (uden netledning).

1. Sikkerhed i arbejdsområdet

- Hold arbejdsområdet rent og ordentligt oplyst.** Rodede eller mørke områder giver anledning til ulykker.
- Brug ikke elværktøj i eksplosive omgivelser, f.eks. hvor der er brændbare væsker, gasser eller støv.** Elværktøj danner gnister, der kan antænde støv eller dampe.
- Hold børn og omkringstående på afstand, når der arbejdes med elværktøj.** Distractioner kan medføre, at du mister kontrollen.

2. Elektricitet og sikkerhed

- Elværktøjets stik skal passe til kontakten. Stikket må aldrig modificeres på nogen måde. Undlad at bruge adapterstik sammen med jordforbundet elektrisk værktøj.** Umodificerede stik og dertil passende stikkontakter reducerer risikoen for elektrisk stød.
- Undgå kropskontakt med jordforbundne overflader som f.eks. rør, radiatorer, komfurer og køleskabe.** Der er øget risiko for elektrisk stød, hvis din krop er jordforbundet.
- Udsæt ikke elværktøj for regn, og brug det ikke, hvor omgivelserne er våde.** Hvis der trænger vand ind i et elektrisk værktøj, øges risikoen for elektrisk stød.
- Pas på, at ledningen ikke beskadiges. Brug aldrig ledningen til at bære, trække værktøjet eller trække det ud af stikkontakten. Hold ledningen borte fra varme, olie, skarpe kanter og bevægelige dele.**

Beskadigede eller sammenfiltrede ledninger øger risikoen for elektrisk stød.

- Hvis elværktøj benyttes i det fri, skal der benyttes en forlængerledning, som er godkendt til udendørs brug.** Brug af en ledning, der er egnet til udendørs brug, reducerer risikoen for elektrisk stød.
 - Brug en strømkilde med fejlstrømsrelæ, hvis det er nødvendigt at anvende elværktøj på fugtige steder.** Ved at benytte en fejlstrømsafbryder reduceres risikoen for elektrisk stød.
- ### 3. Personlig sikkerhed
- Vær opmærksom, hold øje med, hvad du laver, og brug elværktøjet fornuftigt. Betjen ikke værktøjet, hvis du er træt, påvirket af narkotika, alkohol eller medicin.** Et øjeblikvis uopmærksomhed under anvendelse af et elektrisk værktøj kan forårsage alvorlig personskade.
 - Brug personligt beskyttelsesudstyr. Bær altid beskyttelsesbriller. Sikkerhedsudstyr, såsom støvmaske, skridsikre sikkerhedssko, sikkerhedshjelm eller høreværn, brugt når omstændighederne foreskriver det, reducerer omfanget af personskader.**
 - Træf forholdsregler, så utilsigtet start ikke er mulig. Kontroller, at afbryderkontakten står på slukket, inden værktøjet tilsluttes strømkilden og/eller batteriet, samles op eller bæres.** Når elektrisk værktøj bæres med fingeren på kontakten eller tilsluttes, når kontakten er tændt, giver det anledning til ulykker.
 - Fjern indstillingsværktøj eller skruenøgle, inden elværktøjet startes.** En skruenøgle eller anden nøgle, der bliver siddende på en roterende del af elektrisk værktøj, kan give anledning til personskade
 - Stræk dig ikke for langt. Hold hele tiden en god fodstilling og balance.** Dette giver bedre kontrol af det elektriske værktøj, når uventede situationer opstår.
 - Brug egnet arbejdstøj. Bær ikke løst tøj eller smykker.** Hold dit hår, tøj og handsker væk fra bevægelige dele. Løstsiddende tøj, smykker eller langt hår kan blive fanget i bevægelige dele.
 - Hvis der kan monteres støvudsugnings- og opsamlingsudstyr, skal dette tilsluttes og benyttes korrekt.** Anvendelse af støvopsamlingsudstyr kan begrænse farer forårsaget af støv.
- ### 4. Brug og vedligeholdelse af elværktøj
- Overbelast ikke elværktøjet. Brug det værktøj, der er bedst egnet til det arbejde, der skal udføres.** Værktøjet vil klare opgaven bedre og mere sikkert med den ydelse, som det er beregnet til.
 - Brug ikke elværktøjet, hvis afbryderkontakten er defekt.** Alt elektrisk værktøj, der ikke kan kontrolleres med kontakten, er farligt og skal repareres.

- Træk stikket ud af stikkontakten og/eller batteriet inden indstilling, tilbehørsudskiftning eller opbevaring af elværktøjet.** Sådanne forebyggende sikkerhedsforanstaltninger mindsker risikoen for, at værktøjet startes utilsigtet.
 - Opbevar ubenyttet elværktøj uden for børns rækkevidde. Lad aldrig personer, der ikke er fortrolige med elværktøjet, eller som ikke har læst denne vejledning, benytte maskinen.** El-værktøj er farligt i hænderne på personer, som ikke er instrueret i brugen deraf.
 - Elværktøj skal vedligeholdes. Kontroller, om bevægelige dele er skæve og ikke sidder fast, og om delene er brækket eller beskadiget, så elværktøjets funktion påvirkes.** Hvis det elektriske værktøj er beskadiget, skal det repareres før brug. Mange ulykker er forårsaget af dårligt vedligeholdt værktøj.
 - Hold skæreværktøj skarpt og rent.** Ordentligt vedligeholdt skæreværktøj med skarpe skærekanter har mindre tilbøjelighed til at binde og er lettere at styre.
 - Brug elværktøjet, tilbehøret, indsatsværktøj osv. i overensstemmelse med disse instruktioner under hensyntagen til arbejdsforholdene og arbejdet, der skal udføres med værktøjet.** Brug af elektrisk værktøj til andre opgaver end dem, det er beregnet til, kan resultere i en farlig situation.
- ### 5. Brug og pleje af batteriværktøj
- Genoplad kun med den lader, som producenten har angivet.** En oplader, der passer til en type batteripakke, kan udgøre en risiko for brand, når den bruges til en anden type.
 - Elværktøj må kun bruges med batteripakker, der er beregnet hertil.** Brugen af andre batteripakker kan medføre personskade og brand.
 - Når batteripakken ikke er i brug, skal den holdes på afstand af andre metalgenstande, f.eks. papirclips, mønter, nøgler, søm, skruer og andre små metalgenstande, som kan skabe forbindelse mellem de to poler.** Kortslutning af batteriet kan forårsage forbrændinger eller brand.
 - Under grove forhold kan væske sive ud fra batteriet; undgå kontakt. Hvis der opstår kontakt ved et uheld, skyl med vand. Hvis væske kommer ind i øjnene, søg omgående lægehjælp.** Væske, der siver ud fra batteriet, kan fremkalde irritationer eller forbrændinger.
- ### 6. Service
- Lad kun kvalificerede fagfolk reparere elværktøjet og benyt kun originale reservedele.** Derved sikres det, at værktøjets driftssikkerhed opretholdes.

Yderligere sikkerhedsadvarsler for elværktøj



Advarsel! Yderligere sikkerhedsadvarsler for slibning, pudning, stålborstning, polering og afskæring ved slibning.

- ◆ **Dette elværktøj er beregnet til at fungere som sliber, pudser, stålborster, poleremaskine og afskæringsværktøj. Læs alle sikkerhedsadvarsler, instruktioner, illustrationer og specifikationer, der følger med dette elværktøj.** Manglende overholdelse af alle nedenstående instruktioner kan medføre elektrisk stød, brand og/eller alvorlig personskade.
- ◆ **Anden brug end den, elværktøjet er fremstillet til, kan udgøre en fare og forårsage personskade.**
- ◆ **Anvend ikke tilbehør, der ikke er specifikt designet og anbefalet af værktøjets producent.** Blot fordi tilbehøret kan påsættes værktøjet, garanterer det ikke sikker betjening.
- ◆ **Tilbehørets nominelle hastighed skal mindst være lig med den maksimale hastighed, der er angivet på elværktøjet.** Tilbehør, der kører hurtigere end dets nominelle hastighed, kan gå itu og flyve væk.
- ◆ **Tilbehørets udvendige diameter og tykkelse skal ligge inden for elværktøjets nominelle kapacitet.** Tilbehør med forkert størrelse kan ikke afskærmes eller kontrolleres i tilstrækkelig grad.
- ◆ **Gevindmontering af tilbehør skal matche med slibemaskinens spindelgevind.** For tilbehør monteret med flanger skal dornhullet på tilbehøret passe til flangens placeringsdiameter. Tilbehør, der ikke matcher med el-værktøjets monterede hardware, vil køre ud af balance, vibrere for meget og kan medføre tab af kontrol.
- ◆ **Anvend ikke beskadiget tilbehør. Før brug af tilbehør undersøges f.eks. slibehjul for skår og revner, støtpepuder for revner eller slid og stålborste for løse eller revnede tråde.** Hvis elværktøjet eller tilbehøret tabes, bør det undersøges for skade, eller der bør monteres ubeskadiget tilbehør. Efter undersøgelse og montering af tilbehør placeres du og tilskuere væk fra tilbehørets rotationsplan, og elværktøjet køres ved maksimal tomgangshastighed i et minut. Beskadiget tilbehør vil normalt gå i stykker under denne testkørsel.
- ◆ **Anvend personligt beskyttelsesudstyr. Afhængig af brugen bør du anvende ansigtsskærm eller beskyttelsesbriller.** Hvis det er nødvendigt, skal du anvende støvmaske, høreskyttelse, handsker og et arbejdsforklæde, der kan modstå småt slibemateriale eller arbejdsemnefragmenter. Øjenbeskyttelsen skal kunne stoppe flyvende fremmedlegemer, der opstår som følge af de forskellige betjening. Støvmasken eller ånde- og drætsvænet skal kunne filtrere partikler, der opstår ved arbejdet.

Forlænget eksponering for høj, intens støj kan forårsage høreskader.

- ◆ **Hold omkringstående på sikker afstand af arbejdsområdet.** Folk, der befinder sig i arbejdsområdet, skal anvende personligt beskyttelsesudstyr. Fragmenter af arbejdsmetallet eller ødelagt tilbehør kan flyve afsted og forårsage skade uden for det umiddelbare arbejdsområde.
- ◆ **Hold kun fast i elværktøjet ved hjælp af de isolerede håndtagsflader, når der skal saves i emner, hvor skæreværktøjet kan berøre skjulte ledninger eller sit eget kabel.** Hvis skæretilbehøret rammer en strømførende ledning, bliver elværktøjets blottede dele strømførende, så brugeren får stød.
- ◆ **Hold ledningen fri af roterende tilbehør.** Hvis du mister kontrollen, kan ledningen blive skåret eller fastklemt, og din hånd eller arm kan trækkes ind i det roterende tilbehør.
- ◆ **Læg ikke elværktøjet ned, før tilbehøret er helt stoppet.** Det roterende tilbehør kan gribe fast i overfladen, og du kan miste kontrollen over elværktøjet.
- ◆ **Lad ikke elværktøjet køre, mens du bærer det ved din side.** Utilsigtet kontakt med det roterende tilbehør kan hænge fast i dit tøj og efterfølgende ind i huden.
- ◆ **Rengør regelmæssigt elværktøjets ventilationsåbninger.** Motorens ventilator vil trække støv ind i kabinettet, og for megen akkumulering af metalstykker kan udgøre en elektrisk risiko.
- ◆ **Brug ikke elværktøjet i nærheden af brændbare materialer.** Gnister kan antænde disse materialer.
- ◆ **Anvend ikke tilbehør, der kræver flydende kølemiddel.** Brug af vand eller anden kølevæske kan resultere i livsfarligt elektrisk stød.

Bemærk: Ovenstående advarsel gælder ikke for elværktøj, der specifikt er designet til anvendelse med et kølevæskesystem.

Tilbageslag og relaterede advarsler

Tilbageslag er en pludselig reaktion på et fastklemt eller blokeret slibehjul, støttepude, børste eller andet tilbehør. Fastklemning eller blokering forårsager hurtig bremsning af det roterende tilbehør, som derefter tvinger det ukontrollerede elværktøj i modsat retning af tilbehørets rotation ved det pågældende punkt.

F.eks. hvis et slibehjul er fastklemt eller blokeret af arbejdsmetallet, kan kanten af hjulet, der er på vej ind i det spidse punkt, grave sig ind i overfladen på materialet og forårsage, at hjulet arbejder sig ud eller falder ud. Hjulet kan enten springe imod eller væk fra brugeren, afhængigt af retningen af hjulets bevægelse ved klemmepunktet. Slibehjul kan også gå i stykker under disse forhold.

Et tilbageslag opstår som følge af forkert brug eller misbrug af elværktøjet. Det kan undgås ved at tage nedenstående forholdsregler.

- ◆ **Hold godt fast om elværktøjet, og placer kroppen og armen, så du kan modstå tilbageslagskraften.** Brug altid det ekstra håndtag, hvis det findes, for at få maksimal kontrol over tilbageslag eller momentreaktion under opstart. Brugeren kan kontrollere momentreaktioner eller tilbageslagskræfter, hvis der træffes de nødvendige forholdsregler.
- ◆ **Anbring aldrig hånden nær det roterende tilbehør.** Tilbehøret kan slå tilbage over din hånd.
- ◆ **Placer ikke kroppen i området, hvor elværktøjet bevæger sig hen, hvis der opstår tilbageslag.** Tilbageslag fører værktøjet i modsat retning af hjulets bevægelse ved blokeringspunktet.
- ◆ **Vær særlig opmærksom ved arbejde på hjørner, skarpe kanter osv. Undgå at tilbehøret hopper eller blokeres.** Hjørner, skarpe kanter eller bump har en tendens til at blokere det roterende tilbehør og kan forårsage mangel på kontrol eller tilbageslag.
- ◆ **Monter ikke en savkæde med udskæringsklinge eller tandsavklinge.** Sådanne klinger forårsager ofte tilbageslag og mangel på kontrol.

Sikkerhedsadvarsler, som er specifikke for slibning og afskæring ved slibning:

- ◆ **Anvend kun hjul typer, der er anbefalet til dit elværktøj og den specifikke skærm, som er designet til det valgte hjul.** Hjul, der ikke er fremstillet til værktøjet, kan ikke afskærmes korrekt og er usikre.
- ◆ **Slibeoverfladen på de midterste trykkede hjul skal være monteret under fladen på kanten af beskyttelsesskærmen.** Et hjul, der ikke er monteret korrekt, og som projekteres gennem fladen på kanten af beskyttelsesskærmen, kan ikke beskyttes tilstrækkeligt.
- ◆ **Beskyttelsesskærmen skal være sikkert fastgjort elværktøjet for maksimal sikkerhed, således at mindst muligt af hjulet er blottet mod operatøren.** Skærmen hjælper med at beskytte brugeren mod ituslåede hjulfragmenter, utilsigtet kontakt med hjulet og gnister, der kan antænde beklædning.
- ◆ **Hjul må kun benyttes til anbefalede anvendelser. For eksempel: slib ikke med siden af afskæringshjulet.** Slibeskæringshjul er tilsigtet perifer slibning. Sidekraft på disse hjul kan ødelægge dem.
- ◆ **Brug altid ubeskadigede hjulflanger, der har korrekt størrelse og form til det valgte hjul.** Korrekte hjulflanger støtter hjulet og reducerer derved muligheden for hjuldefekt. Flanger til skærehjul kan være forskellige fra slibehjulflanger.
- ◆ **Brug ikke slidte hjul fra større elværktøjer.** Hjul, der er tilsigtet større elværktøjer, er ikke egnet til det lille værktøjs høje hastighed og kan gå i stykker.

Yderligere sikkerhedsadvarsler, som er specifikke for afskæring ved slibning

- ◆ **Bloker ikke afskæringshjulet, og tryk ikke for kraftigt.** Forsøg ikke at foretage et for dybt snit. For stor belastning på hjulet øger sandsynligheden for at det vrides eller sætter sig fast i snittet eller muligheden for tilbageslag eller hjuldefekt.
- ◆ **Placer ikke kroppen på linje med eller bag det roterende hjul.** Når hjulet fra arbejds punktet bevæger sig væk fra din krop, kan det mulige tilbageslag sætte gang i drejende hjul og elværktøjet i din retning.
- ◆ **Sluk for elværktøjet, og hold det stille, indtil hjulet er helt stoppet, hvis hjulet sætter sig fast, eller hvis et snit afbrydes.** Forsøg aldrig at fjerne afskæringshjulet fra snittet, mens hjulet er i bevægelse, da der kan forekomme tilbageslag. Find ud af, hvorfor hjulet har sat sig fast, og træf passende forholdsregler, så det ikke kan ske igen.
- ◆ **Genstart ikke snittet i arbejdsmetallet.** Lad hjulet nå fuld hastighed og sæt det derefter forsigtigt ind i snittet. Hjulet kan eventuelt binde, arbejde sig ud af arbejdsmetallet eller forårsage tilbageslag, hvis elværktøjet startes i arbejdsmetallet.
- ◆ **Understøt plader eller store arbejdsmetaller for at minimere risikoen for, at hjulet klemmes fast, og der opstår et tilbageslag.** Store arbejdsmetaller har en tendens til at synke under deres egenvægt. Arbejdsmetallet skal afstøttes på begge sider af hjulet, både i nærheden af skærelinjen og ved arbejdsmetallets kant.
- ◆ **Vær især forsigtig, hvis der foretages et indstik i eksisterende vægge eller andre steder, hvor du ikke kan se, hvad du skærer i.** Hjulet, der skal dykke ned, kan skære gas- eller vandrør, elektriske ledninger eller genstande, der kan forårsage tilbageslag.

Sikkerhedsadvarsler, som er specifikke for pud-sning

- ◆ **Brug ikke for store pudsekiver. Følg producentens anbefalinger ved valg af pudsepapir.** Slibepapir, der går ud over slibepuden, udgør en fare for flænsning og kan forårsage blokering eller flænsning af disken eller tilbageslag.

Sikkerhedsadvarsler, som er specifikke for polering

- ◆ **Løse dele af poleringshætten eller dens fastgørelsessone må ikke kunne rotere frit. Gem eventuelle løse snører af vejen eller skær dem af.** Løst, roterende tilbehør kan vikles ind i dine fingre eller sætte sig fast på arbejdsmetallet.

Sikkerhedsadvarsler, som er specifikke for stål-børstning

- ◆ **Vær opmærksom på, at ståltråde slynges ud af børsten selv under almindelig funktion. Overbelast ikke ståltrådene ved at lægge for meget tryk på børsten.** Stålhårene kan nemt trænge gennem tyndt tøj og/eller hud.
- ◆ **Hvis der anbefales en skærm til stålborstning, må tråd hjulet eller -børsten og skærmen ikke kunne forstyrre hinanden.** Tråd hjul eller -børste må udvide sig i diameter pga. arbejdsbelastning eller centrifugalkræfter.



Advarsel! Kontakt med eller indånding af støvpartikler fra slibearbejde kan udgøre en fare for både brugerens og eventuelle omkringstående helbred. Bær en specielt designet støvmaske til beskyttelse mod støv og røg, og sørg for, at personer, der befinder sig på eller kommer ind på arbejdsområdet, også er beskyttet.

Andres sikkerhed

- ◆ Dette værktøj kan bruges af børn i en alder fra 8 år og derover og personer med nedsatte fysiske, sensoriske eller mentale evner eller manglende erfaring og viden, hvis det sker under overvågning, eller de vejledes i brugen af apparatet på en sikker måde, og de forstår de farer, som er forbundet dermed.
- ◆ Børn må ikke lege med apparatet. Rengøring og brugervedligeholdelse må ikke foretages af børn uden opsyn.

Restrisici

Der kan opstå yderligere restrisici under brugen af værktøjet, som ikke kan medtages i vedlagte sikkerhedsadvarsler. Disse risici kan opstå pga. forkert anvendelse, langvarig brug etc. Selv ved overholdelse af relevante sikkerhedsforskrifter og anvendelse af sikkerhedsudstyr kan visse restrisici ikke undgås. Disse omfatter:

- ◆ Tilskadekomst forårsaget af berøring af roterende/bevægelige dele.
- ◆ Tilskadekomst forårsaget af udskiftning af dele, klinger eller tilbehør.
- ◆ Tilskadekomst forårsaget af langvarig brug af et værktøj. Husk at holde pause jævnligt ved brug af et værktøj i længere tid.
- ◆ Hørenedsættelse.
- ◆ Sundhedsrisici forårsaget af indånding af støv, der genereres ved brug af værktøjet (eksempel: Arbejde med træ, især, eg, bøg og MDF.)

Vibration

De angivne værdier for udsendelse af vibration anført under de tekniske data og overensstemmelseserklæringen er målt i henhold til standardtestmetoden i EN 60745 og kan bruges

til at sammenligne ét værktøj med et andet. Den angivne vibrationsemissionsværdi kan også bruges som en foreløbig vurdering af eksponeringen.

Advarsel! Værdien for udsendelse af vibration ved faktisk brug af elværktøjet kan afvige fra den angivne værdi afhængig af måden, værktøjet anvendes på. Vibrationsniveauet kan overstige det angivne niveau.

I vurderingen af eksponeringen for vibration med henblik på fastsættelse af sikkerhedsforanstaltninger som krævet i 2002/44/EF til beskyttelse af personer, der jævnligt anvender elværktøj i deres arbejde, skal der tages hensyn til de faktiske betingelser under brugen, og måden værktøjet bruges på, herunder alle arbejds cyklussens elementer, f.eks. perioder, hvor værktøjet er slukket, og hvor det kører i tomgang, tillige med startperioderne.

Mærkatet på værktøjet

Værktøjet er forsynet med følgende advarselssymboler samt datokoden:



Advarsel! Brugeren skal læse brugervejledningen for at reducere risikoen for tilskadekomst.



Bær beskyttelses- eller sikkerhedsbriller, når du bruger dette værktøj.



Bær høreværn, når du bruger dette værktøj.

Yderligere sikkerhedsvejledninger for batterier og ladere

Batterier

- ◆ Forsøg aldrig at åbne den af en eller anden grund.
- ◆ Batteriet må ikke udsættes for vand.
- ◆ Må ikke opbevares på steder, hvor temperaturen kan overstige 40 °C.
- ◆ Oplad kun ved omgivelsestemperaturer på mellem 10° C og 40 °C.
- ◆ Oplad kun ved hjælp af den medfølgende lader.
- ◆ Følg vejledningen i afsnittet "Miljøbeskyttelse" ved bortskaffelse af batterier".



Forsøg ikke at oplade beskadigede batterier.

Opladere

- ◆ Brug kun din Stanley Fat Max-lader til at oplade batteripakken i det værktøj, som den blev leveret sammen med. Andre batterier kan eksplodere og forårsage personskader og materielle skader.
- ◆ Forsøg aldrig at oplade ikke-genopladelige batterier.

- ◆ Udskift straks defekte ledninger.
- ◆ Opladeren må ikke udsættes for vand.
- ◆ Opladeren må ikke åbnes.
- ◆ Opladeren må ikke undersøges.



Opladeren er kun beregnet til indendørs brug.



Læs brugervejledningen, før værktøjet tages i brug.

Elektricitet og sikkerhed



Laderen er dobbelt isoleret. Derfor er en jordledning ikke nødvendig. Kontroller altid, at netspændingen svarer til spændingen på typeskiltet. Forsøg aldrig at erstatte laderenheden med et almindeligt netstik.

- ◆ Hvis netledningen beskadiges, skal den udskiftes af producenten eller et autoriseret Stanley Fat Max-værksted, så farlige situationer undgås.

Funktioner

Dette apparat leveres med nogle af eller alle de følgende komponenter.

1. Låseknop
2. Udløserkontakt
3. Sidehåndtag
4. Spindellås
5. Slibeskærm
6. Slibeskive
7. Batteri
8. Skruenøgle

fig. A

9. Batterioplader
10. Ladeindikator

Anvendelse

Advarsel! Lad værktøjet arbejde i dets eget tempo. Det må ikke overbelastes.

- ◆ Vær forberedt på en strøm af gnister, når slibe- eller skæreskiven berører arbejdsmønt.
- ◆ Placer altid værktøjet på en sådan måde, at skærmen giver optimal beskyttelse mod slibe- eller skæreskiven.

Opladning af batteriet (fig. A)

Batteriet skal oplades inden ibrugtagningen, og når det ikke leverer strøm nok til opgaver, der tidligere kunne udføres ubesværet. Batteriet kan blive varmt under opladningen. Det er normalt og ikke tegn på problemer.

Advarsel! Oplad ikke batteriet ved omgivende temperaturer på under 10 °C eller over 40 °C. Den anbefalede opladnings-temperatur er ca. 24 °C.

Bemærk: Opladeren oplader ikke et batteri, hvis dets temperatur er under ca. 10° C eller over 40° C.

Batteriet bør blive siddende i laderen, som automatisk begynder opladningen, når batteriet opvarmes/afkøles.

- ◆ Sæt batteriet (7) i opladeren (9) for at lade det op. Batteriet passer kun i opladeren på én måde. Tving dem ikke. Kontroller, at batteriet er sat helt i opladeren.
- ◆ Tilslut opladeren og tænd på stikkontakten. Ladeindikatoren (10) begynder at blinke. Opladningen er afsluttet, når ladeindikatoren (10) begynder at lyse konstant. Laderen og batteriet kan være tilsluttet i længere perioder. LED'en tændes, når laderen en gang imellem "efterfylder" batteriet.
- ◆ Afladede batterier bør oplades inden for 1 uge. Batteriets levetid reduceres kraftigt, hvis batteriet opbevares i afladet tilstand.

Lad batteriet blive siddende i opladeren

Du kan lade batteripakken sidde i laderen med tændt lysdiode, så længe det ønskes. Opladeren holder batteripakken klar og fuldt opladet.

Fejlfinding af opladeren

Ladeindikatoren (10) blinker hurtigt rødt, hvis laderen registrerer et svagt eller beskadiget batteri. Forsæt som følger:

- ◆ Sæt batteriet (7) i igen.
- ◆ Hvis ladeindikatoren fortsætter med at blinke hurtigt rødt, skal du bruge et andet batteri til at kontrollere, om opladningen sker korrekt.
- ◆ Hvis det andet batteri lades korrekt, er det oprindelige batteri defekt og skal indleveres til genbrug på et servicecenter.
- ◆ Hvis det andet batteri lades korrekt, er det oprindelige batteri defekt og skal indleveres til genbrug på et servicecenter.

Bemærk: Det kan tage op til 30 minutter at konstatere, at batteriet er defekt. Hvis batteriet er for varmt eller koldt, blinker lysdioden rødt skiftevis hurtigt og langsomt med et blink ved hver frekvens, hvorefter sekvensen gentages.

Tænde og slukke

- ◆ Skub låseknappen (1) fremad, og tryk og hold derefter startknappen (2) for at tænde værktøjet.
- ◆ Slip startknappen (2) for at stoppe værktøjet.

Advarsel! Start og stop ikke værktøjet, mens det er under belastning.

Advarsel! Skub altid låseknappen (1) bagud til låst position, når værktøjet ikke er i brug.

Gode råd til optimal brug

- ◆ Hold godt fast i værktøjet med den ene hånd omkring sidehåndtaget og den anden hånd omkring hovedhåndtaget.

Overfladeslibning med slibehjul

- ◆ Lad værktøjet nå fuld hastighed, for det rører arbejdsoverfladen.
- ◆ Anvend minimum tryk på arbejdsoverfladen og lad værktøjet køre ved høj hastighed. Slibehastigheden er højest, når værktøjet kører med høj hastighed.
- ◆ Hold en vinkel på 20° til 30° mellem værktøjet og arbejdsfladen.
- ◆ Flyt hele tiden værktøjet i en fremadrettet og en bagudrettet bevægelse for at undgå at lave ridser i arbejdsoverfladen.
- ◆ Løft værktøjet fra arbejdsoverfladen, før du slukker for værktøjet. Lad værktøjet holde helt op med at dreje, før du lægger det fra dig.

Kantslibning med slibehjul

Hjul, der anvendes til skæring og kantslibning, kan gå itu eller slå tilbage, hvis de bliver bøjet eller vredet, mens værktøjet anvendes til afskæringsarbejde eller dybdeslibning. For at reducere risikoen for alvorlig personskade skal brugen af disse hjul med en standard type 27 skærm begrænses til overfladeskæring og udskæring (mindre end 1/2 tomme (13 mm) i dybden). Den åbne side på beskyttelsesskærmen skal være anbragt på afstand af brugeren. Til dybere skæring med et type 1 afskæringshjul bruges en lukket type 1 beskyttelsesskærm. Se slibe- og skæreoversigten på bagsiden af denne sprogversion.

- ◆ Lad værktøjet nå fuld hastighed, for det rører arbejdsoverfladen.
- ◆ Anvend minimum tryk på arbejdsoverfladen og lad værktøjet køre ved høj hastighed. Slibehastigheden er højest, når værktøjet kører med høj hastighed.
- ◆ Anbring dig selv, så den åbne underside på hjulet vender væk fra dig.
- ◆ Når du har startet på en skæring, og du har oprettet et indhak i arbejdsmønt, skal du ikke ændre vinklen på snittet. Ændring af vinklen vil få hjulet til at bøje og kan medføre et brud på hjulet. Hjorneslibehjul er ikke designet til at modstå de sidetryk, som bøjning kan frembringe.
- ◆ Løft værktøjet fra arbejdsoverfladen, før du slukker for værktøjet. Lad værktøjet holde helt op med at dreje, før du lægger det fra dig.

Anvend ikke hjorneslibnings-/skæringshjul til overfladeslibningsopgaver, fordi disse hjul ikke er designet til de sidetryk, som opstår med overfladeslibning. Resultatet kan blive brud på hjulet og personskade.

Overfladefinish med pudseskiver

- ◆ Lad værktøjet nå fuld hastighed, før det rører arbejdsoverfladen.
- ◆ Anvend minimum tryk på arbejdsoverfladen og lad værktøjet køre ved høj hastighed. Slibehastigheden er højest, når værktøjet kører med høj hastighed.
- ◆ Hold en vinkel på 5° til 10° mellem værktøjet og arbejdsfladen.
- ◆ Flyt hele tiden værktøjet i en fremadrettet og en bagudrettet bevægelse for at undgå at lave ridser i arbejdsoverfladen.
- ◆ Løft værktøjet fra arbejdsoverfladen, før du slukker for værktøjet. Lad værktøjet holde helt op med at dreje, før du lægger det fra dig.

Anvendelse af underpuder til pudning

Vælg de korrekte sandslibeskiver til din opgave. Slibeskiver fås i forskellige Kornstørrelser. Grove Kornstørrelser giver et hurtigere udbytte og en grovere finish.

Finere Kornstørrelser giver et langsommere udbytte og en jævnere finish.

Start med grove Kornstørrelsesskiver til hurtig, grov fjernelse af materiale. Flyt til en medium Kornstørrelsespapir og afslut med en fin Kornstørrelsesskive for optimal finish.

- ◆ Kornstørrelse grov 16 - 30
- ◆ Kornstørrelse middel 36 - 80
- ◆ Kornstørrelse fin finish 100 - 120
- ◆ Kornstørrelse meget fin finish 150 - 180
- ◆ Lad værktøjet nå fuld hastighed, før det rører arbejdsoverfladen.
- ◆ Anvend minimum tryk på arbejdsoverfladen og lad værktøjet køre ved høj hastighed. Slibehastigheden er højest, når værktøjet kører med høj hastighed.
- ◆ Hold en vinkel på 5° til 15° mellem værktøjet og arbejdsfladen. Pudseskiven skal være i kontakt med ca. en tomme (25 mm) af arbejdsfladen.
- ◆ Flyt hele tiden værktøjet i en lige linje for at forhindre afbrænding og hvirveln af arbejdsoverfladen. Hvis du lader værktøjet hvile på arbejdsoverfladen uden at bevæge det, eller flytter det i en cirkulær bevægelse, kan det forårsage brænde- og hvirvelmærker på arbejdsoverfladen.
- ◆ Løft værktøjet fra arbejdsoverfladen, før du slukker for værktøjet. Lad værktøjet holde helt op med at dreje, før du lægger det fra dig.

Anvendelse af trådbørster og trådhjul

Stålhjul og -børster kan bruges til at fjerne rust, glødeskal og maling og til glatning af ujævne overflader.

Bemærk: Der skal træffes de samme forholdsregler ved trådbørstning af maling som ved slibning af maling.

- ◆ Lad værktøjet nå fuld hastighed, før det rører arbejdsoverfladen.

- ◆ Anvend minimum tryk på arbejdsoverfladen og lad værktøjet køre ved høj hastighed. Hastigheden ved fjernelse af maling er højest, når værktøjet kører med høj hastighed.
- ◆ Hold en vinkel på 5° til 10° mellem værktøjet og arbejdsfladen ved trådbørster.
- ◆ Opbehold kontakt mellem hjørnet på hjulet og arbejdsoverfladen med stålhjul.
- ◆ Flyt hele tiden værktøjet i en fremadrettet og en bagudrettet bevægelse for at undgå at lave ridser i arbejdsoverfladen. Hvis du lader værktøjet hvile på arbejdsoverfladen uden at bevæge det, eller flytter det i en cirkulær bevægelse, kan det forårsage brænde- og hvirvelmærker på arbejdsoverfladen.
- ◆ Løft værktøjet fra arbejdsoverfladen, før du slukker for værktøjet. Lad værktøjet holde helt op med at dreje, før du lægger det fra dig.

Vær ekstra omhyggelig, når du arbejder over et hjørne, da du kan komme ud for en hurtig bevægelse fra slibemaskinen.

Forholdsregler, der skal træffes ved slibning eller trådbørstning af maling

- ◆ Slibning af blybaseret maling ANBEFALES IKKE på grund af vanskeligheden ved at styre det forurenede støv. Børn og gravide kvinder er udsat for den største risiko for blyforgiftning.
- ◆ Da det kan være vanskeligt at finde ud af, hvorvidt en maling indeholder bly uden en kemisk analyse, anbefaler vi de følgende forholdsregler ved slibning af alle malinger:

Personlig sikkerhed

- ◆ Ingen børn eller gravide kvinder må opholde sig i arbejdsområdet, når der foretages slibning af maling, før al rengøring er afsluttet.
- ◆ Alle personer, som kommer ind i arbejdsområder, skal bære en støvmaske eller en respirator. Filteret skal udskiftes dagligt, eller når bæreren har sværdt ved at trække vejret.

Bemærk: Du bør udelukkende anvende støvmasker, der er beregnet til arbejde med blybaseret malingsstøv og dampe. Almindelige malingsmasker tilbyder ikke denne beskyttelse. Kontakt din lokale hardwareforhandler for korrekt åndedrætsbeskyttelse.

- ◆ Der bør IKKE SPISES, DRIKKES eller RYGES i arbejdsområdet for at undgå at indtage forurenede malingspartikler. Arbejdere skal vaske sig og rydde op, FØR de spiser, drikker eller ryger. Der må ikke efterlades føde-, drikke- eller rygevarer i arbejdsområdet, hvor der kan falde støv på dem.

Miljøikkerhed

- ◆ Maling skal fjernes på en sådan måde, at mængden af genereret støv minimeres.

- ◆ Områder, hvor der foregår fjernelse af maling, skal forsegles med plastiktildækninger på 4 mils tykkelse.
- ◆ Slibning skal foregå på en sådan måde, at sporing af malingsstøv uden for arbejdsområdet reduceres.

Rengøring og bortskaffelse

- ◆ Alle overflader i arbejdsområdet skal støvsuges og rengøres grundigt hver dag, mens slibningen foregår. Støvsugerfilterposer skal hyppigt udskiftes.
- ◆ Afdækningsplastic skal fjernes og bortskaffes sammen med eventuelle støvflager eller andet snavs fra fjernelsen af maling. De skal anbringes i forseglede affaldsbeholdere og bortskaffes via regelmæssige affaldsbortskaffelsesprocedurer. Under rengøring skal børn og gravide kvinder holdes på afstand af arbejdsområdet.
- ◆ Al legetøj, vaskbare møbler og redskaber, der bruges af børn, skal vaskes omhyggeligt, før de bruges igen.

Anvendelse af skærehjul

Anvend ikke hjørneslibnings-/skæringshjul til overfladeslibningsopgaver, fordi disse hjul ikke er designet til de sidetryk, som opstår med overfladeslibning. Resultatet kan blive brud på hjulet og personskaade.

- ◆ Lad værktøj nå fuld hastighed, før det rører arbejdsoverfladen.
- ◆ Anvend minimum tryk på arbejdsoverfladen og lad værktøjet køre ved høj hastighed. Skærehastigheden er højest, når værktøjet kører med høj hastighed.
- ◆ Når du har startet på en skæring, og du har oprettet et indhak i arbejdsområdet, skal du ikke ændre vinklen på snittet. Ændring af vinklen vil få hjulet til at bøje og kan medføre et brud på hjulet.
- ◆ Løft værktøjet fra arbejdsoverfladen, før du slukker for værktøjet. Lad værktøjet holde helt op med at dreje, før du lægger det fra dig.

Vedligehold

Dit Stanley Fat Max-værktøj er beregnet til brug gennem lang tid med et minimum af vedligeholdelse. Vedvarende tilfredsstillende funktion er afhængig af, om værktøjet plejes korrekt og rengøres regelmæssigt.

Laderen kræver ingen vedligeholdelse, men skal rengøres jævnligt.

Advarsel! Før udførelse af nogen form for vedligeholdelse på elværktøj med/uden ledning:

- ◆ Sluk og tag apparatets/værktøjets stik ud af stikkontakten.
- ◆ Eller sluk og fjern batteriet fra apparatet/værktøjet, hvis det har en separat batteripakke.
- ◆ Eller aflad batteriet helt, hvis det er indbygget, og sluk derefter.

- ◆ Træk laderen ud af stikkontakten, før den rengøres. Laderen kræver ingen vedligeholdelse, men skal rengøres jævnligt.
- ◆ Rengør jævnligt apparatets/værktøjets/laderens ventilationshuller med en blød børste eller en tør klud.
- ◆ Rengør med jævne mellemrum motorhuset med en fugtig klud. Der må ikke bruges skuremidler eller opløsningsmidler.
- ◆ Åbn jævnligt patronen og bank på den for at fjerne indvendigt støv (hvis monteret).

Miljøbeskyttelse



Særskilt bortskaffelse. Produkter og batterier mærket med dette symbol må ikke bortskaffes sammen med normalt husholdningsaffald.

Produkter og batterier indeholder materialer, der kan blive gendannet eller genanvendt og således reducere efterspørgslen efter råvarer.

Genbrug venligst elektriske produkter og batterier i henhold til lokale regulativer. Yderligere informationer findes på www.2helpU.com.

Tekniske data

		FMC761 (H1)	
Spænding	V _{DC}	18	
Tomgangshastighed	Min ¹	9,000	
Skivediameter	mm	125	
Skivehul	mm	22	
Maks. skivetykkelse			
slibeskive	mm	6	
skæreskive	mm	3,5	
Spindeldiameter		M14	
Spindellængde (med den indvendige flange monteret)	mm	14	
Spindellængde (uden den indvendige flange monteret)	mm	19,5	
Vægt	kg	2,9	

Oplader	905998**	906086**
Indgangsspænding	V _{AC} 230	230
Udgangsspænding	V _{DC} 18	18
Strømstyrke	A 1	2
Ladetid ca.	min 90-240	45-120

Batteri	FMC685L	FMC687L	FMC688L
Spænding	V _{AC} 18	18	18
Kapacitet	Ah 1,5	2,0	4,0
Type	Li-Ion	Li-Ion	Li-Ion

Lydtrykniveau i henhold til EN 60745:

Lydtryk (L_{PA}) 80,5 dB(A), usikkerhed (K) 3 dB(A)
Lydeffekt (L_{WA}) 91,5 dB(A), usikkerhed (K) 3 dB(A)

Vibration total values (triax vector sum) according to EN 60745:
Overfladeslibning ($a_{h, sd}$) 3,9 m/s ² , usikkerhed (K) 1,5 m/s ²
Polering ($a_{h, p}$) 2,0 m/s ² , usikkerhed (K) 1,5 m/s ²
Skivepudsning ($a_{h, ps}$) 4,5 m/s ² , usikkerhed (K) 1,5 m/s ²

Forsigtig! Opgaver som f.eks. afskæring eller børstning kan have forskellige vibrationsemissioner.

EF-overensstemmelseserklæring MASKINDIREKTIV



FMC761 - Vinkelsliber uden ledning

Stanley Fat Max erklærer, at produkterne beskrevet under "Tekniske data" er i overensstemmelse med: EN60745-1:2009+A11:2010, EN60745-2-3:2011+A12:2014

Disse produkter er endvidere i overensstemmelse med direktiv 2006/42/EC, 2014/30/EU og 2011/65/EU.

Kontakt Stanley Fat Max på nedenstående adresse, eller se vejledningens bagside for at få flere oplysninger.

Undertegnede er ansvarlig for kompilering af den tekniske fil og udsteder denne erklæring på vegne af Stanley Fat Max.

R. Laverick
Direktør for maskinteknik
Stanley Fat Max Europe, Egide Walschaertsstraat 14-18,
2800 Mechelen, Belgien
01/10/2018

Garanti

Stanley Fat Max er sikker på kvaliteten af sine produkter og giver forbrugeren en garanti på 12 måneder fra købsdatoen. Garantien er et tillæg til forbrugers lovsikrede rettigheder og påvirker ikke disse. Garantien er gyldig inden for medlemsstaterne af Den Europæiske Union og Det Europæiske Frihandelsområde.

Når du gør krav på garantien, skal kravet være i overensstemmelse med Stanley Fat Max vilkår og betingelser, og du skal indsende dokumentation for købet til sælgeren eller til en autoriseret reparatør. Vilkår og betingelser for Stanley Fat Max 1 års garanti og placeringen af dit nærmeste autoriserede serviceværksted kan fås på internettet på www.2helpU.com,

eller ved at kontakte dit lokale Stanley Fat Max kontor på den adresse, der er angivet i denne vejledning.

Besøg venligst vores websted www.stanley.eu/3 for at registrere dit nye Stanley Fat Max-produkt og modtage opdateringer om nye produkter og specielle tilbud.

(Alkuperäisten ohjeiden käännös)

SUOMI

Käyttötarkoitus

Stanley Fat Max FMC761 -kulmahiomakone on tarkoitettu metallin ja betonin hiomiseen ja leikkaamiseen sopivaa leikkausterää tai hiomalaikkaa käyttäen. Työkaluun on asennettava asianmukainen suojus. Työkalu on tarkoitettu sekä ammatti- että yksityiskäyttöön.

Turvallisuusohjeet

Sähkötyökalujen yleiset turvavaroitukset



Varoitus! Lue kaikki turvallisuusvaroitukset ja ohjeet. Alla olevien varoitusten ja ohjeiden noudattamisen laiminlyönti saattaa johtaa sähköiskuun, tulipaloon ja/tai vakavaan loukkaantumiseen.

Säästä kaikki varoitukset ja ohjeet tulevaa käyttöä varten. Ohjeissa käytetty käsite "sähkötyökalu" tarkoittaa verkkokäyttöisiä sähkötyökaluja (verkkojohdolla varustettuja) ja akkukäyttöisiä sähkötyökaluja (ilman verkkojohtoa).

1. Työalueen turvallisuus

- Pidä työalue puhtaana ja hyvin valaistuna.** Onnettomuuksia sattuu herkemmin epäsiistissä tai huonosti valaistussa ympäristössä.
- Älä käytä sähkötyökalua räjähdyksalttiissa ympäristössä, jossa on syttyvää nestettä, kaasua tai pölyä.** Sähkötyökalujen aiheuttamat kipinät voivat sytyttää pölyn tai kaasun.
- Pidä lapset ja sivulliset loitolla sähkötyökalua käyttäessäsi.** Keskeytymiskyvyn herpaantuminen voi aiheuttaa hallinnan menettämisen.

2. Sähköturvallisuus

- Sähkötyökalun pistokkeen on sovittava pistorasiaan. Älä koskaan tee pistokkeeseen mitään muutoksia. Älä yhdistä maadoitettua sähkötyökalua jatkojohtoon.**

Sähköiskun vaara vähenee, jos pistokkeisiin ei tehdä muutoksia ja ne yhdistetään vain niille tarkoitettuihin pistorasioihin.

- Vältä koskettamasta maadoitettuja pintoja, kuten putkia, lämpöpattereita, liesiä tai jääkaappeja.** Voit saada sähköiskun, jos kehosi on maadoitettu.
- Älä altista sähkötyökalua sateelle tai kosteudelle.** Sähkötyökaluun menevä vesi lisää sähköiskun vaaraa.
- Älä käsittele virtajohtoa kovakouraisesti. Älä kanna työkaluja sähköjohdosta tai vedä pistoketta pistorasiasta sähköjohdon avulla. Pidä sähköjohto kaukana kuumuudesta, öljystä, terävistä reunoista tai liikkuvista osista.** Vaurioituneet tai sokeutuneet johdot lisäävät sähköiskun vaaraa.
- Käyttäessäsi sähkötyökalua ulkona käytä ainoastaan ulkokäyttöön soveltuvaa jatkojohtoa.** Ulkokäyttöön tarkoitettu sähköjohdon käyttäminen vähentää sähköiskun vaaraa.
- Jos sähkötyökalua on välttämättä käytettävä kosteassa paikassa, käytä vikavirtasuojalla (RCD) suojattua virtalähdettä.** Tämä vähentää sähköiskun vaaraa.

3. Henkilöturvallisuus

- Ole valpas, keskity työhön ja noudata tervettä järkeä sähkötyökalun käytössä. Älä käytä tätä työkalua ollessasi väsynyt tai alkoholin, huumeiden tai lääkkeiden vaikutuksen alaisena.** Keskeytymisen herpaantuminen hetkeksikin sähkötyökalua käytettäessä voi aiheuttaa vakavan henkilövahingon.
- Käytä henkilökohtaisia suojavarusteita.** Käytä aina suojaaseja. Hengityssuojaimen, liukumattomien turvajalkineiden, kypärän ja kuulosuojaimen käyttäminen vähentää henkilövahinkojen vaaraa.
- Vältä tahatonta käynnistämistä. Varmista, että kytkin on OFF-asennossa, ennen kuin liität laitteen virtalähteeseen ja/tai akkuun, nostat laitteen tai kannat sitä.** Sähkötyökalun kantaminen sormi virtakytkimellä lisää onnettomuusvaaraa.
- Irrota mahdollinen säätö- tai kiintoavain ennen kuin käynnistät sähkötyökalun.** Sähkötyökalun pyöriivään osaan kiinni jäänyt avain voi johtaa loukkaantumiseen.
- Älä kurkota. Huolehdi siitä, että sinulla on koko ajan tukeva jalansija ja hyvä tasapaino.** Näin voit hallita sähkötyökalua paremmin odottamattomissa tilanteissa.
- Käytä tarkoitukseen soveltuvia vaatteita. Älä käytä löysiä vaatteita tai koruja. Pidä hiukset, vaatteet ja kädet loitolla liikkuvista osista.** Löysät vaatteet, korut tai pitkät hiukset voivat tarttua liikkuviin osiin.
- Jos työkalun voi liittää polynimuriin, tarkista, että liitos on tehty asianmukaisesti ja että laitteita käytetään oikealla tavalla.** Pölyn ottaminen talteen voi vähentää pölyn aiheuttamia vaaroja.

(Alkuperäisten ohjeiden käännös)

SUOMI

4. Sähkötyökalujen käyttö ja hoito

- Älä ylikuormita sähkötyökalua.** Valitse käyttötarkoituksen kannalta oikea sähkötyökalu. Sähkötyökalu toimii paremmin ja turvallisemmin, kun sitä käytetään sille suunniteltuun käyttötarkoitukseen.
 - Älä käytä sähkötyökalua, jota ei voida käynnistää ja pysäyttää virtakytkimestä.** Jos sähkötyökalua ei voi hallita kytkimen avulla, se on vaarallinen ja se on korjattava.
 - Irrota pistotulppa pistorasiasta ja/tai akku laitteesta ennen kuin suoritat säätöjä, vaihdat tarvikkeita tai siirrat sähkötyökalun varastoitavaksi.** Näin voit vähentää vahingossa käynnistymisen aiheuttaman henkilövahingon vaaraa.
 - Säilytä sähkötyökalut poissa lasten ulottuvilta, kun niitä ei käytetä. Älä anna sähkötyökalua sellaisen henkilön käyttöön, joka ei tunne sitä tai joka ei ole tutustunut tähän käyttöohjeeseen.** Sähkötyökalut ovat vaarallisia kouluttamattomien käyttäjien käsissä.
 - Hoida sähkötyökalusi huolella. Tarkista, että liikkuvat osat toimivat moitteettomasti ja etteivät ne ole puristuksessa. Tarkista myös, ettei työkalussa ei ole murtuneita tai vahingoittuneita osia, jotka saattaisivat vaikuttaa haitallisesti sen toimintaan. Jos havaitset vaurioita, korjauta sähkötyökalu ennen niiden käyttämistä.** Huonosti kunnossapidetyt sähkötyökalut aiheuttavat onnettomuuksia.
 - Pidä leikkausterät terävinä ja puhtaina.** Kunnossa pidettyjen leikkaavien teräviä reunoja sisältävien työkalut todennäköisyys jumiutua vähenee, ja niitä on helpompi hallita.
 - Käytä sähkötyökaluja, tarvikkeita, vaihtoteriä yms. näiden ohjeiden mukaisesti. Ota tällöin huomioon työolosuhteet ja suoritettava toimenpide.** Jos sähkötyökalua käytetään näiden ohjeiden vastaisesti, voi syntyä vaaratilanne.
- #### 5. Akkutyökalun käyttö ja huolto
- Lataa akku vain valmistajan määrittelemällä laturilla.** Laturi, joka on sopiva yhden tyyppiselle akulle, voi aiheuttaa tulipalon vaaran, jos sitä käytetään toisen tyyppisellä akulla.
 - Käytä sähkötyökalussa ainoastaan kyseiseen sähkötyökaluun tarkoitettua akkua.** Muun tyyppisen akun käyttö saattaa johtaa loukkaantumiseen ja tulipaloon.
 - Pidä irrallinen akku loitolla metalliesineistä, kuten paperiliittimistä, kolikoista, avaimista, nauoista, ruuveista tai muista pienistä metalliesineistä, jotka voivat aiheuttaa oikosulun akun navoissa.** Kennon pinteiden oikosulku voi aiheuttaa palovammoja tai tulipalon.
 - Väärin käytetystä akusta voi vuotaa nestettä. Älä kosketa sitä. Jos nesteen kanssa joutuu**

kosketuksiin, huuhtelee vedellä. Jos nestettä joutuu silmiin, hakeudu lisäksi lääkärin hoitoon. Akusta roiskunut neste saattaa aiheuttaa ärsytystä tai palovammoja.

6. Huolto

- a. Korjauta sähkötyökalu koulutetulla ja ammattitaitoisella henkilöllä ja hyväksy korjauksiin vain alkuperäisiä varaosia. Tämä varmistaa sähkötyökalun turvallisuuden.

Sähkötyökalujen lisäturvavaroitukset



Varoitus! Lisäturvavaroitukset hiontaan, lankaharjaukseen, kiillotukseen ja laikkakatkaisuun.

- Tämä sähkötyökalu on tarkoitettu hiontaan, lankaharjaukseen, kiillotukseen ja laikkakatkaisuun. Lue kaikki tämän sähkötyökalun mukana toimitetut varoitukset, käyttöohjeet ja tekniset tiedot. Jos kaikkia ohjeita ei noudateta, on olemassa sähköiskun, tulipalon ja/tai vakavan henkilövahingon vaara.
- Jos sähkötyökalua käytetään tarkoitukseen, johon sitä ei ole suunniteltu, voi aiheutua vaarallinen ja henkilövahinko.
- Älä käytä lisävarusteita, joita ei ole suunniteltu ja joita valmistaja ei suosittele juuri tälle työkalulle. Varusteen käyttäminen ei ole turvallista vain siksi, että se voidaan yhdistää sähkötyökaluun.
- Lisävarusteen nimellisa nopeuden tulee olla vähintään sama kuin työkaluun merkitty maksiminopeus. Jos varusteita käytetään niiden nimellisa nopeutta suuremmalla nopeudella, ne voivat särkyä ja niistä voi lentää kappaleita.
- Lisävarusteen ulkohalkaisijan ja paksuuden tulee olla tämän sähkötyökalun nimelliskapasiteetin rajoissa. Väärän kokoisia lisävarusteita ei voi suojata tai hallita vaaditulla tavalla.
- Lisävarusteiden kierteisen kiinnitysosan on sovittava hiomakoneen karan kierteisiin. Laippojen avulla asennettujen lisävarusteiden kohdalla lisävarusteen kiinnitysreiän on sovittava laipan sijoituskohdan halkaisijaan. Jos varustetta ei voi kiinnittää sähkötyökaluun kunnolla, voi aiheutua epätasapaino ja voit menettää työkalun hallinnan tärinän vuoksi.
- Älä käytä vahingoittuneita lisävarusteita. Ennen käyttämistä tarkista, ettei tarvitse, esimerkiksi sen hiomalaikoissa tai taustalevyssä, ole halkeamia, repeämiä tai kulumia ja että teräslankaharjassa ole irrallisia tai katkenneita harjaksia. Jos sähkötyökalu putoaa, tarkista, onko siihen tullut vaurioita ja vaihda vaurioitunut osa. Kun olet tarkistanut laitteen, siirry kauas siitä ja pyydä muitakin siirtymään kauemmas.

Anna sähkötyökalun käydä suurimmalla nopeudella kuormittamattomana minuutin ajan. Vaurioitunut varuste tavallisesti särkyä tämän testausajan kuluessa.

- Käytä henkilökohtaisia suojavarusteita. Käytä kasvosuojusta tai turvalaseja tehtävän työn vaatimusten mukaisesti. Käytä tarvittaessa hengityssuojainta, kuulosuojaimia, käsineitä ja suojavaatetusta, joka estää lentävien kappaleiden aiheuttamat henkilövahingot. Turvalasien on pystyttävä estämään lentäviä kappaleita aiheuttamasta henkilövahinkoja. Hengityssuojaimen tulee pystyä suodattamaan työssä syntyvät hiukkaset. Pitkäaikainen altistuminen melulle voi heikentää kuuloa.
- Pidä sivustakatsojat turvallisen matkan päässä työskentelyalueesta. Työskentelyalueella on käytettävä henkilösuojavarusteita. Työstettävän kappaleen tai särkyneen varusteen singahtavat osat voivat aiheuttaa henkilövahinkoja.
- Jos terä voi osua pilotettuihin sähköjohtoihin tai työkalun omaan sähköjohtoon, tartu ainoastaan työkalun eristettyihin tarttumapintoihin. Terien osumisen jännitteeseen johtoon tekee sen paljaista metalliosista jännitteisiä, joten käyttäjä voi saada sähköiskun.
- Aseta johto niin, ettei se kosketa pyörivää lisävarustetta. Jos menetät työkalun hallinnan, johto voi katketa tai vaurioitua tai työkalu voi osua käteesi.
- Älä koskaan laske sähkötyökalua alas, ennen kuin laikka on kokonaan pysähtynyt. Käynnissä oleva työkalu voi osua työtason pintaan, jolloin menetät sen hallinnan.
- Älä käytä työkalua siten, että kannat sitä sivullasi. Jos käynnissä oleva sähkötyökalu tarttuu vaatteisiisi, se voi osua kehoosi.
- Puhdista työkalun ilma-aukot säännöllisesti. Moottorin puhallin vetää pölyä työkalun sisään. Metallipölyn kertyminen voi aiheuttaa sähköiskun vaaran.
- Älä käytä työkalua helposti syttyvien materiaalien läheisyydessä. Kipinät voivat sytyttää ne.
- Älä käytä laikkoja, jotka vaativat nestemäisiä jäähdytysaineita. Veden tai muun jäähdytysaineen käyttäminen voi aiheuttaa sähköiskun.

Huomautus: Yllä oleva varoitus ei koske sähkötyökaluja, jotka on erityisesti tarkoitettu nestejärjestelmien käyttöön.

Takapotku ja siihen liittyvät varoitukset

Takapotku aiheutuu äkillisesti hiomalaikan, taustalevyn, harjan tai varusteen juutuessa kiinni. Puristuminen tai tarttuminen aiheuttaa pyörivän lisävarusteen äkillisen pysähtymisen, joka puolestaan aiheuttaa hallitsemattoman työkalun liikkeen lisävarusteen pyörimissuuntaan vastaan tarttumiskohdassa. Jos esimerkiksi hiomalaikka jää kiinni työstettävään kappaleeseen, laikan reuna voi kaivautua sen pintaan, jolloin hiomalaikka voi nousta pinnalle tai aiheuttaa potkun.

Laikka voi joko hypätä käyttäjää kohti tai hänestä pois päin, riippuen laikan liikkeen suunnasta tarttumakohdassa. Tällöin hiomalaikka voi myös rikkoutua.

Takapotku johtuu sähkötyökalun vääranlaisesta käytöstä ja/tai vääristä työmenetelmistä tai -olosuhteista ja sen voi välttää noudattamalla alla kuvattuja varotoimia.

- Pidä luja ote sähkötyökalusta ja aseta vartaloasi ja käsivartesi siten, että voit torjua takaiskun voiman. Käytä aina apukahvaa, jos sellainen on saatavilla, jotta voisit hallita takapotkua tai käynnistymisen aikaisia vääntöreaktioita. Käyttäjä voi hallita vääntöreaktioita tai takapotkujen voimaa, jos esitetyistä varoitimenpiteistä huolehditaan.
- Älä koskaan laita kättäsi pyörivän laikan lähelle. Se voi aiheuttaa takapotkun.
- Älä aseta vartaloasi alueelle, jonne työkalu liikkuu takapotkun voimasta. Takapotku heittää työkalun laikan liikesuuntaan nähden vastakkaiseen suuntaan tarttumiskohdassa.
- Ole erityisen varovainen työstäessäsi kulmia, teräviä reunoja jne. Vältä laikan kimpoamista ja tarttumista. Nurkat, terävät kulmat tai kimpoaminen voivat aiheuttaa toiminnassa olevan työkalun jäämisen kiinni, jolloin sen hallinta menetetään tai voi aiheutua takapotku.
- Älä kiinnitä moottorisahan puunkaiverrusterää tai hammastettua sahanterää työkaluun. Muutoin aiheutuu helposti takapotku tai hallinnan menetys.

Turvavaroitukset hiontaan ja laikkakatkaisuun:

- Käytä ainoastaan tälle sähkötyökalulle suositeltuja laikkatyyppejä ja valitulle laikalle erityisesti suunniteltua suojusta. Jos sähkötyökalussa käytetään laikkoja, joita ei ole tarkoitettu käytettäväksi siinä, niitä ei voi suojata kunnolla, joten ne aiheuttavat vaaran.
- Keskipainamalla varustettujen laikkojen hiomapinta on asennettava suojakaistaleen tason alapuolelle. Virheellisesti asennettua laikkaa, joka näkyy suojakaistaleen tason läpi, ei voida suojata oikeaoppisesti.
- Kiinnitä suojusta tiukasti työkaluun ja aseta se siten, että se antaa parhaan mahdollisen suojan niin, että mahdollisimman pieni osa laikkaa on paljaana käyttäjään päin. Suojus suojaaa käyttäjää rikkoutuneen laikan palasilta, estää koskemasta laikkaan vahingossa ja torjua kipinöitä, jotka saattaisivat aiheuttaa vaatteiden syttymisen.
- Käytä laikkaa ainoastaan sille suunniteltuun tarkoitukseen. Älä esimerkiksi käytä katkaisulaikan reunaan hiontaan. Hiovat katkaisulaikat on tarkoitettu hiomiseen. Niiden aiheuttamat sivusuuntaiset voimat voivat saada laikan rikkoutumaan.

- Käytä aina ehjiä ja oikean kokoisia ja muotoisia, valitulle laikalle sopivia laippoja. Oikeanlaiset laipat tukevat laikkaa ja pienentävät siten laikan rikkoutumisriskiä. Katkaisulaikat voivat olla erilaisia kuin hiomalaikat.
- Älä käytä suurempien sähkötyökalujen kuluneita laikkoja. Suurempien sähkötyökalujen laikat eivät kestä pienemmän työkalun suurempaa nopeutta, joten ne voivat särkyä.

Lisäturvavaroitukset laikkakatkaisuun

- Älä jumita katkaisulaikkaa äläkä paina sitä liian voimakkaasti. Älä yritä leikata liian syvälle. Laikan voimakas painaminen kasvattaa kuormitusta ja altistaa vääntymiselle tai laipan jumiumumiselle leikkauskohtaan, sekä lisää takapotkun ja laikan rikkoutumisen vaaraa.
- Älä aseta vartaloasi suoraan linjaan pyörivään laikkaan nähden äläkä sen taakse. Kun leikkaava laikka liikkuu pois päin vartaloastasi, mahdollinen takapotku voi lennättää pyörivän laikan ja sähkötyökalun suoraan sinua päin.
- Kun terä juuttuu kiinni tai leikkaus keskeytyy jostakin syystä, katkaise työkalusta virta ja pidä sitä paikallaan, kunnes laikka on kokonaan pysähtynyt. Älä koskaan yritä irrottaa katkaisulaikkaa leikkauskohdasta, kun laikka vielä pyörii, koska se voi aiheuttaa takapotkun. Selvitä laikan jumiumumiseen johtanut syy ja poista se.
- Älä käynnistä leikkaustoimintoa, kun laikka on kiinni työstökappaleessa. Anna laikan saavuttaa täysi nopeus ja aseta se varoen takaisin leikkauskohtaan. Laikka voi taittua, siirtyä ylös tai iskeytyä takaisin, jos sähkötyökalu käynnistetään uudelleen työkappaleessa.
- Tue levyjä tai muita suurikokoisia työstökappaleita minimoidaksesi laikan puristumisen ja takapotkun riskin. Suuret työkappaleet pyrkivät taipumaan omasta painostaan. Tuet tulee asettaa työkappaleen alapuolelle leikkauslinjan lähelle ja työkappaleen reunan lähelle laikan molemmalla puolella.
- Ole erityisen varovainen, jos teet taskun valmiiseen seinään tai muuhun tuntemattomaan paikkaan. Esiin työntyvä laikka saattaa leikata kaasu- tai vesiputkia, sähköjohtoja tai esineitä, jotka voivat aiheuttaa takapotkun.

Turvavaroitukset hiontaan

- Älä käytä liian suuria hiokkaperilaikkoja. Noudata hiokkaperin valinnassa valmistajan antamia suosituksia. Jos hiomaperi ulottuu laikan ulkopuolelle, voi aiheutua haavan saamisen, laikan kulumisen tai takapotkun vaara.

Turvavaroitukset kiillotukseen

- Älä anna kiillotustyön löysien osien tai sen kiinnitysruujen pyöriä vapaasti. Katkaise tai kiristä liian

pitkät kiinnitysnaurat. Irtonaiset kiinnitysnaurat voivat tarttua sormiisi tai työstettävään kappaleeseen.

Turvavaroitukset lankaharjaukseen

- ◆ **Huomioi, että lankaharjaksia irtoaa harjasta myös normaalin käytön aikana. Älä rasita kuituja kohdistamalla harjaan suurta voimaa.** Harjakset lävistävät kevyet vaatteet ja/tai ihon helposti.
- ◆ **Jos lankaharjaukseen suositellaan suojuksen käyttöä, älä anna lankakiekon tai -harjan törmätä suojukseen.** Lankakiekon tai -harjan halkaisija voi kasvaa käyttökorituksen tai keskipakovoiman vaikutuksesta.



Varoitus! Hionatyöstä syntyvä pöly voi aiheuttaa terveyshaittoja käyttäjälle ja mahdollisille sivullisille. Käytä kasvosuojusta, joka on erityisesti tarkoitettu suojaamaan pölyltä ja höyryiltä, ja varmista, että kaikki työskentelyalueella olevat ja sinne tulevat henkilöt käyttävät suojavarusteita.

Muiden henkilöiden turvallisuus

- ◆ Tämä työkalu soveltuu yli 8-vuotiaiden lasten ja sellaisten henkilöiden käyttöön, joilla on fyysisiä tai älyllisiä rajoitteita tai aistirajoitteita, kuten myös laitteen toimintaan perehtymättömien henkilöiden käyttöön, jos heitä valvotaan tai jos he ovat saaneet laitteen turvalliseen käyttöön liittyvää opastusta ja ymmärtävät laitteen käyttöön liittyvät vaarat.
- ◆ Älä anna lasten leikkiä laitteella. Puhdistus- ja huoltotoitit ei saa jättää lapsille ilman valvontaa.

Jännönsriskit

Myös muut kuin turvavaroituksissa mainitut riskit ovat mahdollisia työkalua käytettäessä. Nämä riskit voivat liittyä muun muassa virheelliseen tai pitkäaikaiseen käyttöön.

Tiettyjä jännönsriskejä ei voi välttää, vaikka noudatat kaikkia turvamääräyksiä ja käytät turvalaitteita. Näitä ovat:

- ◆ Pyörienvien tai liikkuvien osien koskettamisen aiheuttamat vahingot.
- ◆ Osia, teriä tai lisävarusteita vaihdettaessa aiheutuneet vahingot.
- ◆ Työkalun pitkäaikaisen käytön aiheuttamat vahingot. Varmista, että pidät säännöllisesti taukoja työkalun pitkäaikaisen käytön aikana.
- ◆ Kuulon heikkeneminen.
- ◆ Työkalua käytettäessä (esimerkiksi puuta, erityisesti tammea, pyökkiä ja MDF-levyjä käsiteltäessä) syntyneen pölyn sisäänhengityksen aiheuttamat terveysriskit.

Tärinä

Teknisissä tiedoissa ja vaatimustenmukaisuusvakuutuksessa ilmoitettu tärinäpäästöarvo on mitattu EN 60745 -standardin testausmenetelmän mukaisesti, ja arvoa voi käyttää työkalujen keskinäiseen vertailuun.

Ilmoitettua tärinäpäästöarvoa voi käyttää myös altistumisen alustavaan arviointiin.

Varoitus! Sähkötyökalun käytön aikana mitattu todellinen tärinäpäästöarvo voi poiketa ilmoitetusta tärinäpäästöarvosta työkalun käyttötavan mukaan. Tärinätasoa voi olla ilmoitettua tasoa suurempi.

Kun tärinälle altistumista arvioidaan sen määrittämiseksi, mitä direktiivin 2002/44/EY mukaisia turvatoimenpiteitä vaaditaan sähkötyökaluja säännöllisesti käyttävien henkilöiden suojelemiseksi, tärinälle altistumisen arvioinnissa on otettava huomioon todelliset käyttöolosuhteet ja työkalun käyttötavat. Todellisen käytön lisäksi on kiinnitettävä huomiota myös siihen, milloin työkalu on sammutettuna tai se käy tyhjäkäynnillä.

Työkalun tarrat

Työkaluun on merkitty päivämääräkoodi sekä seuraavat varoitusmerkinnät:



Varoitus! Käyttäjän on luettava käyttöohje vahinkojen välttämiseksi.



Käytä suojalaseja, kun käytät laitetta.



Käytä kuulosuojaimia, kun käytät työkalua.

Akkuja ja laturia koskevat lisäturvaohteet

Akut

- ◆ Älä koskaan yritä avata mistään syystä.
- ◆ Älä anna akun kastua.
- ◆ Älä säilytä paristoja tiloissa, joissa lämpötila voi nousta yli 40 °C:een.
- ◆ Lataa akku paikassa, jonka lämpötila on vähintään +10 °C ja enintään +40 °C.
- ◆ Lataa akku ainoastaan työkalun mukana toimitetulla laturilla.
- ◆ Noudata akkujen hävittämisessä Ympäristönsuojelu-kohdassa esitettyjä ohjeita.



Älä koskaan yritä ladata viallisia akkuja.

Laturit

- ◆ Käytä Stanley Fat Max -laturia vain laitteen mukana toimitetun akun lataamiseen. Muut akut voivat räjähtää ja aiheuttaa henkilövahinkoja tai aineellisia vahinkoja.
- ◆ Älä koskaan yritä ladata akkuja, joita ei ole tarkoitettu ladattaviksi.
- ◆ Vaihda vialliset johdot välittömästi ehjiin.
- ◆ Älä altista laturia vedelle.

- ◆ Älä avaa laturia.
- ◆ Älä työnnä mitään laturin sisään.



Laturi on tarkoitettu ainoastaan sisäkäyttöön.

Lue käyttöohjeet huolellisesti ennen laitteen käyttöä.

Sähköturvallisuus



Laturi on kaksoiseristetty, joten erillistä maadoitusta ei tarvita. Tarkista aina, että verkkojännite vastaa arvokilvessä ilmoitettua jännitettä. Älä yritä vaihtaa laturiin tavallista verkkovirran pistoketta.

- ◆ Jos virtajohto vahingoittuu, sen vaihtaminen on turvallisuusyistä jätettävä valmistajan tai valtuutetun Stanley Fat Max -huolto liikkeen tehtäväksi.

Yleiskuvas

Tässä laitteessa on kaikki tai joitakin seuraavista ominaisuuksista.

1. Lukituskytkin
2. Liipaisukytkin
3. Sivukahva
4. Karalukko
5. Hiomasuoja
6. Hiomalaiikka
7. Akku
8. Sakara-avain

kuva A

9. Akkulaturi
10. Latauksen merkkivalo

Käyttö

Varoitus! Anna työkalun käydä omaan tahtiinsa. Älä ylikuormita sitä.

- ◆ Valmistaudu kipinävirtaan hioma- tai leikkuulaikan koskettaessa työstökappaletta.
- ◆ Aseta työkalu aina siten, että suojuksen antaa optimaalisen suojan hioma- tai leikkuulaikalta.

Akun lataaminen (kuva A)

Lataa akku ennen ensimmäistä käyttökertaa ja aina, kun se ei enää tuota riittävästi virtaa toimintoihin, jotka aiemmin sujuivat helposti. Akku voi lämmetä ladattaessa. Tämä on normaalia, eikä se ole merkki mistään viasta.

Varoitus! Älä lataa akkua alle 10 °C tai yli 40 °C asteen lämpötilassa. Suositeltava latauslämpötila on 24 °C.

Huomautus: Laturi ei lataa akkua, jos akun kennon lämpötila on alle 10 °C tai yli 40 °C.

Akku tulee kuitenkin jättää laturiin. Laturi aloittaa lataamisen automaattisesti, kun kennon lämpötila nousee tai laskee riittävästi.

- ◆ Lataa akku (7) asettamalla se laturiin (9). Akku sopii laturiin vain yhdessä asennossa. Älä pakota. Varmista, että akku on kunnolla laturissa.
- ◆ Kytke laturi pistorasiaan.

Lataustilan ilmaisin (10) vilkkuu.

Akku on ladattu, kun latauksen merkkivalo (10) palaa keskeytyksettä. Akun voi jättää laturiin vaikka kuinka pitkäksi aikaa. Merkkivalo vilkkuu ajoittain ns. täydennyslatauksen aikana.

- ◆ Lataa akut viikon kuluessa tyhjentymisestä. Akkujen käyttöikä lyhenee merkittävästi, jos ne jätetään tyhjiksi pitkäksi aikaa.

Akun jättäminen laturiin

Akku voidaan jättää laturiin, kun merkkivalo palaa. Laturi pitää akun käyttövalmiina ja ladattuna.

Laturin vianmääritys

Jos laturi havaitsee lähes tyhjän tai viallisen akun, latauksen merkkivalo (10) vilkkuu nopeasti punaisena. Toimi seuraavasti:

- ◆ Aseta akku (7) uudelleen laturiin.
- ◆ Jos merkkivalot vilkkuvat edelleen nopeasti punaisina, vaihda akku, jotta saat tarkistettua, toimiiko lataus asianmukaisesti.
- ◆ Jos toinen akku latautuu normaalisti, alkuperäinen akku on viallinen ja se on toimitettava huoltopisteeseen kierrätettäväksi.
- ◆ Jos toinen akku antaa saman virheilmoituksen kuin alkuperäinen, vie laturi huoltopisteeseen testattavaksi.

Huomautus: Akun kunnan määrittäminen voi kestää 30 minuuttia. Jos akku on liian kuuma tai kylmä, latauksen merkkivalo vilkkuu punaisena vuoroin nopeasti ja hitaasti.

Käynnistäminen ja pysäyttäminen

- ◆ Käynnistä työkalu liu'uttamalla lukituskytkintä (1) eteenpäin ja pitämällä sitten nopeudensäädön liipaisinkytkintä (2) painettuna.
- ◆ Sammuta laite vapauttamalla liipaisinkytkin (2).

Varoitus! Älä käynnistä tai pysäytä työkalua sen ollessa kuormitettuna.

Varoitus! Työnä lukituskytkin (1) taaksepäin lukitusasentoon aina, kun työkalu ei ole käytössä.

Vinkkejä parhaimman tuloksen saavuttamiseksi

- ◆ Pidä työkalusta tiukasti kiinni toisella kädellä sivukahvasta ja toisella pääkahvasta.

Pintahionta hiomalaikalla

- ◆ Anna työkalun pysähtyä kokonaan ennen kuin työkalu koskettaa työpintaa.
- ◆ Paina työpintaa mahdollisimman vähän, jotta työkalu toimii korkealla nopeudella. Hiomateho on suurin, kun työkalu toimii korkealla nopeudella.
- ◆ Pidä työkalu 20–30 asteen kulmassa työpintaan nähden.
- ◆ Liikuta työkalua tasaisesti eteen- ja taaksepäin, jotta se ei aiheuta kuoppia työpintaan.
- ◆ Poista työkalu työpinnasta ennen työkalun sammuttamista. Anna työkalun pysähtyä ennen sen asettamista alas.

Reunahionta hiomalaikalla

Leikkaamiseen ja reunahiontaan tarkoitettua laikaa voivat rikkoa tai potkaista takaisin taipumisen tai vääntymisen seurauksena, jos niitä käytetään katkaisuun tai syvään hiontaan. Vakavan henkilövahingon vaaran vähentämiseksi käytä tyyppiä 27 vakiosuojuksen kanssa käytettäviä laikkoja vain matalaan leikkaukseen ja loveamiseen (enintään 13 millimetrin syvyyteen). Suojan avoin puoli tulee asettaa käyttäjältä poispäin. Kun tyyppiä 1 leikkulaikkaa käytetään syväleikkaukseen, käytä suljettua tyyppiä 1 suojaa. Katso suomenkielisen osion lopussa olevaa hionta- ja leikkulaikkavälineiden kaaviota.

- ◆ Anna työkalun pysähtyä kokonaan ennen kuin työkalu koskettaa työpintaa.
 - ◆ Paina työpintaa mahdollisimman vähän, jotta työkalu toimii korkealla nopeudella. Hiomateho on suurin, kun työkalu toimii korkealla nopeudella.
 - ◆ Asetu niin, että laikan avoin alapuoli osoittaa itsestäsi poispäin.
 - ◆ Kun leikkaus on aloitettu ja työkappaleeseen tehdään ura, älä muuta leikkauksulmaa. Jos kulmaa muutetaan, laikka taittuu ja se voi rikkoutua. Reunan hiomalaikkoja ei ole tarkoitettu kestämään taittumista aiheuttavia sivupaineita.
 - ◆ Poista työkalu työpinnasta ennen työkalun sammuttamista. Anna työkalun pysähtyä ennen sen asettamista alas.
- Älä käytä reunan hioma-/leikkulaikkoja pinnan hiomiseen, koska niitä ei ole tarkoitettu kestämään pinnan hiomisen aikana tapahtuvia sivupaineita. Laikka voi tällöin rikkoutua ja henkilövahinkoja tapahtua.

Pinnan viimeistely hiokkaperikiekkolla

- ◆ Anna työkalun pysähtyä kokonaan ennen kuin työkalu koskettaa työpintaa.
- ◆ Paina työpintaa mahdollisimman vähän, jotta työkalu toimii korkealla nopeudella. Hiomateho on suurin, kun työkalu toimii korkealla nopeudella.
- ◆ Pidä työkalu 5–10 asteen kulmassa työpintaan nähden.
- ◆ Liikuta työkalua tasaisesti eteen- ja taaksepäin, jotta se ei aiheuta kuoppia työpintaan.
- ◆ Poista työkalu työpinnasta ennen työkalun sammuttamista. Anna työkalun pysähtyä ennen sen asettamista alas.

Hiomapaperin tukilaippojen käyttäminen

Valitse oikea pohjalevy käyttötarkoitukseen. Eri karkeusasteisia smirgaliikkoja on saatavilla. Karkeat laikat poistavat materiaalia nopeammin ja tuloksena on karkeampi pinta. Hienopintaisemmat laikat poistavat materiaalia hitaammin ja tuloksena on tasaisempi pinta.

Aloita käyttö karkeilla laikoilla materiaalin nopeaa ja karkeaa poistoa varten. Siirry keskikarkeaan hiomapaperiin ja viimeistelemään hienopintaisella laikalla optimaalisen tuloksen saavuttamiseksi.

- ◆ Karkea: 16 - 30 karkeusaste
- ◆ Keskikarkea: 36 - 80 karkeusaste
- ◆ Hieno viimeistely: 100 - 120 karkeusaste
- ◆ Erittäin hieno viimeistely: 150 - 180 karkeusaste
- ◆ Anna työkalun pysähtyä kokonaan ennen kuin työkalu koskettaa työpintaa.
- ◆ Paina työpintaa mahdollisimman vähän, jotta työkalu toimii korkealla nopeudella. Hiomateho on suurin, kun työkalu toimii korkealla nopeudella.
- ◆ Pidä työkalu 5–15 asteen kulmassa työpintaan nähden. Hiomalaikan tulee koskettaa noin 25 millimetrin suuruisia osia työpinnasta.
- ◆ Siirrä työkalua jatkuvasti suorassa linjassa, jotta työpintaan ei tulisi palamisen tai kiertämisen. Jos työkalun anetaan olla työpintaa vasten sitä liikuttamatta tai jos työkalua liikutetaan pyörivin liikkein, työpintaa tulee palamisen ja kiertämisen merkkejä.
- ◆ Poista työkalu työpinnasta ennen työkalun sammuttamista. Anna työkalun pysähtyä ennen sen asettamista alas.

Lankaharjojen ja -kierrojen käyttäminen

Teräsharjoja ja -laikkoja voidaan käyttää ruosteen, kalkin ja maalin poistamiseen sekä epätasaisien pintojen tasoittamiseen.

Huomautus: Maalin lankaharjauksessa tulee noudattaa samoja varotoimenpiteitä kuin maalin hionnassa.

- ◆ Anna työkalun pysähtyä kokonaan ennen kuin työkalu koskettaa työpintaa.
- ◆ Paina työpintaa mahdollisimman vähän, jotta työkalu toimii korkealla nopeudella. Materiaalin poistoteho on suurin, kun työkalu toimii korkealla nopeudella.
- ◆ Kun käytät kupin muotoista lankaharjaa, pidä työkalu 5–10 asteen kulmassa työpintaan nähden.
- ◆ Pidä laikan reuna kiinni työpinnassa teräslaikkoja käyttäessä.
- ◆ Liikuta työkalua tasaisesti eteen- ja taaksepäin, jotta se ei aiheuta kuoppia työpintaan. Jos työkalun annetaan olla työpintaa vasten sitä liikuttamatta tai jos työkalua liikutetaan pyörivin liikkein, työpintaa tulee palamisen ja kiertämisen merkkejä.
- ◆ Poista työkalu työpinnasta ennen työkalun sammuttamista. Anna työkalun pysähtyä ennen sen asettamista alas.

Ole erityisen varovainen reunaan työstäessä, sillä hiomakoneessa voi esiintyä äkkinäisiä liikkeitä.

Varotoimenpiteet maalin hiontaan ja lankaharjaukseen

- ◆ Lyijypohjaisen maalin hiomista EI SUOSITELLA saastuneen pölyn hallinnan vaikeuden vuoksi. Lyijymyrkytyksen vaara on suurin lapsille ja raskaana oleville naisille.
- ◆ Koska on vaikea määrittää ilman kemiallista analyysia sisältääkö maali lyijyä, suosittelemme seuraavia varotoimia maalia hionnassa:

Henkilöturvallisuus

- ◆ Lasten tai raskaana olevien naisten ei tulisi tulla työalueelle, jossa maalia hiotaan, ennen kuin työ on valmis ja puhdistaminen suoritettu.
- ◆ Kaikkien työalueelle tulevien ihmisten tulee käyttää hengityssuojainta. Suodatin tulee vaihtaa päivittäin tai aina, kun käyttäjän on vaikea hengittää.

Huomautus: Käytä ainoastaan hengityssuojia, jotka suojaavat sinut lyijypohjaisen maalin työstämisestä aiheutuvalta pölyltä ja höyryltä. Tavalliset hengityssuojat eivät anna tätä suojaa.

Hanki paikallisesta rautakaupasta kunnollinen hengityssuojain.

- ◆ Työalueella EI SAA SYÖDÄ, JUODA tai TUPAKOIDA, jotta estetään saastuneiden maalipartikkeleiden joutuminen elimistöön. Työntekijöiden tulee peseytyä ja siistittyä ENNEN syömistä, juomista tai tupakointia. Ruokia, juomia tai tupakointivälineitä ei tule jättää työalueelle, jossa pöly voi päästä niihin.

Ympäristönsuojelu

- ◆ Maali tulee poistaa niin, että syntyvän pölyn määrä on mahdollisimman pieni.
- ◆ Alueet, joilla maalia poistetaan, tulee eristää muovikalvolla, jonka paksuus on 0,01 mm.
- ◆ Hionta tulisi tehdä niin, että maalipölyä päätyy mahdollisimman vähän työalueen ulkopuolelle.

Puhdistus ja hävitys

- ◆ Kaikki työalueen pinnat tulee imuroida ja puhdistaa huolellisesti päivittäin hiontaprojektin ajan. Imurin suodattimet tulee puhdistaa säännöllisesti.
- ◆ Sahanpurut, muoviset suojalakanat ja muut poistettavissa olevat jätteet on kerättävä talteen ja hävitettävä. Ne tulee laittaa suljettuihin jätteasioihin ja hävittää tavallisten jätteenhävityssäännösten mukaisesti. Puhdistuksen aikana lasten ja raskaana olevien naisten tulee pysyä poissa välittömän työalueen läheltä.
- ◆ Kaikki lasten lelut, pestävän huonekalut ja tarvikkeet tulee pestä perusteellisesti ennen niiden uudelleenkäyttöä.

Leikkulaikkojen käyttö

Älä käytä reunan hioma-/leikkulaikkoja pinnan hiomiseen, koska niitä ei ole tarkoitettu kestämään pinnan hiomisen aikana tapahtuvia sivupaineita. Laikka voi tällöin rikkoutua ja henkilövahinkoja tapahtua.

- ◆ Anna työkalun pysähtyä kokonaan ennen kuin työkalu koskettaa työpintaa.
- ◆ Paina työpintaa mahdollisimman vähän, jotta työkalu toimii korkealla nopeudella. Leikkausteho on suurin, kun työkalu toimii korkealla nopeudella.
- ◆ Kun leikkaus on aloitettu ja työkappaleeseen tehdään ura, älä muuta leikkauksulmaa. Jos kulmaa muutetaan, laikka taittuu ja se voi rikkoutua.
- ◆ Poista työkalu työpinnasta ennen työkalun sammuttamista. Anna työkalun pysähtyä ennen sen asettamista alas.

Huolto

Tämä Stanley Fat Max -työkalu on suunniteltu toimimaan mahdollisimman pitkään mahdollisimman vähällä huollolla. Oikea käsittely ja säännöllinen puhdistus varmistavat laitteen ongelmattoman toiminnan.

Laturi ei tarvitse säännöllisen puhdistamisen lisäksi mitään muuta huoltoa.

Varoitus! Ennen verkkojohdolla varustetun tai verkkojohdotto-man sähkötyökalun huoltoa toimi seuraavasti:

- ◆ Sammuta laite/työkalu ja irrota se verkkovirrasta.
- ◆ Jos laitteessa/työkalussa on erillinen akku, sammuta laite/työkalu ja irrota sen akku.
- ◆ Jos akku on kiinteä, käytä akku täysin loppuun ja sammuta laite sitten.
- ◆ Irrota laturi pistorasiasta ennen laturin puhdistamista. Laturi ei tarvitse säännöllisen puhdistamisen lisäksi mitään muuta huoltoa.
- ◆ Puhdista laitteen/työkalun/laturin ilma-aukot säännöllisesti pehmeällä harjalla tai kuivalla kangasliinalla.
- ◆ Puhdista moottorin kotelo säännöllisesti kostealla rätillä. Älä käytä hankaavia tai liuotinpohjaisia puhdistusaineita.
- ◆ Avaa istukka säännöllisesti ja naputele pöly pois sen sisältä (soveltuvin osin).

Ympäristönsuojelu



Toimita tämä laite erilliskeräykseen. Tällä symbolilla merkityjä tuotteita ja akkuja ei saa hävittää tavallisen kotitalousjätteen mukana.

Tuotteissa ja akuissa on materiaaleja, jotka voidaan ottaa talteen tai kierrättää uudelleen käyttöä varten. Kierrätä sähkölaitteet ja akut paikallisten määräyksien mukaan. Lisätietoa on saatavilla osoitteessa www.2helpU.com.

Tekniset tiedot

FMC761 (H1)		
Jännite	V _{DC}	18
Kuormittamaton nopeus	Min ⁻¹	9,000
Laikan halkaisija	mm	125
Laikan sisäläpimitä	mm	22
Laikan maksimipaksuus		
hiomalaikka	mm	6
katkaisulaikka	mm	3,5
Karan halkaisija	M14	
Karan pituus (sisäläippä paikallaan)	mm	14
Karan pituus (ilman sisäläippää)	mm	19,5
Paino	kg	2,9

Laturi	905998**	906086**
Syöttöjännite	V _{AC} 230	230
Lähtöjännite	V _{DC} 18	18
Virta	A 1	2
Arvioitu latausaika	min 90-240	45-120

Akku	FMC685L	FMC687L	FMC688L
Jännite	V _{AC} 18	18	18
Teho	Ah 1,5	2,0	4,0
Tyyppi	Li-Ion	Li-Ion	Li-Ion

Äänenpainetaso, määritetty EN 60745-standardin mukaan:
Äänenpaine (L _{PA}) 80,5 dB(A), epävarmuus (K) 3 dB(A)
Äänitehotaso (L _{WA}) 91,5 dB(A), epävarmuus (K) 3 dB(A)

Tärinän kokonaisarvot (vektorisumma) standardin EN 60745 mukaisesti:
Pinnan hionta (a _{h,SD}) 3,9 m/s ² , epävarmuus (K) 1,5 m/s ²
Kiillotus (a _{h,D}) 2,0 m/s ² , epävarmuus (K) 1,5 m/s ²
Levyn hionta (a _{h,DS}) 4,5 m/s ² , epävarmuus (K) 1,5 m/s ²

Huomio! Tärinäarvot voivat poiketa eri käyttötarkoituksissa, kuten leikkauksessa tai täräsharjauksessa.

EY-vaatimusten mukaisuusvakuutus KONEDIREKTIIVI



FMC761 - Langaton kulmahiomakone

Stanley Fat Max ilmoittaa, että tuotteet, jotka on kuvattu kohdassa Tekniset tiedot, täyttävät seuraavien direktiivien vaatimukset:

EN60745-1:2009+A11:2010, EN60745-2-3:2011+A12:2014

Nämä tuotteet täyttävät myös direktiivin 2006/42/EY, 2014/30/EY ja 2011/65/EY.

Lisätietoja saa ottamalla yhteyttä Stanley Fat Max -yhtiöön seuraavaan osoitteeseen. Tiedot ovat myös käyttöoppaan takakannessa.

Allekirjoittaja vastaa teknisistä tiedoista ja antaa tämän vakuutuksen seuraavan yhtiön puolesta: Stanley Fat Max.

R. Laverick

Teknisen osaston johtaja

Stanley Fat Max Europe, Egide Walschaertsstraat14-18,
2800 Mechelen, Belgium
01.10.2018

Takuu

Stanley Fat Max on vakuuttunut tuotteidensa korkeasta laadusta ja tarjoaa kuluttajille 12 kuukauden takuun, joka astuu voimaan ostopäivänä. Takuu on lisäys kuluttajan laillisiin oikeuksiin eikä vaikuta niihin. Tämä takuu on voimassa kaikissa EU- ja ETA-maissa.

Edellytyksenä takuun saamiselle on, että vaade täyttää Stanley Fat Maxin ehdot ja että ostaja toimittaa ostotositteen jälleenmyyjälle tai valtuutetulle huoltoilikeelle. Stanley Fat Maxin yhden vuoden takuun ehdot ja lähimmän valtuutetun korjauspalvelun yhteystiedot ovat saatavilla osoitteessa www.2helpU.com tai ottamalla yhteyttä paikalliseen Stanley Fat Maxin toimipisteeseen tässä ohjekirjassa ilmoitettuihin osoitteisiin.

Käy verkkosivuillemme osoitteessa www.stanley.eu/3 ja rekisteröi uusi Stanley Fat Max -tuotteesi. Sivuilta saat myös päivityksiä uusista tuotteista ja erikoistarjouksista.

Problempömmen chrisi

O gwiniakós trochós Stanley Fat Max FMC761 échi schediastéi gia tróhixima kai kopí metállou kai eidón toichoiás me chrisi tou katállhluo túpoú dískuo kopíhí hí trochísimatoú. Sto ergaleío prépei na éinai toptoethiménos katállhlos profulakíthras. Autó to ergaleío proorízetai gia epagghematikhí kai idiwíthi, mh epagghematikhí chrisi.

Odhgíes asfaléias

Genikés proeidopoiíhseis asfaléias gia hlektriká ergaleía



Proeidopoiíhsh! Diabáste óles tis proeidopoiíhseis asfaléias kai óles tis odhgíes. H mh tírhsh tou parakátw proeidopoiíhseon kai odhgíwn mourei na prokalései hlekτροπληgísa, purkagía kai/hí sobarés swmatíkés blábes.

Fulázte óles tis proeidopoiíhseis kai tis odhgíes gia mellonikhí anaforá. O óros «hlektrikó ergaleío» pou chrisimopoiétai se óles tis parakátw proeidopoiíhseis anaféretai éite se ergaleío pou leitourgei me reúma díktúou (me kalwío) éite se ergaleío pou leitourgei me mpataρία (chwrís kalwío).

1. Asfaléia chwrou ergasiás

- Diathréite to chwro ergasiás katharó kai kalá fwpsiméno.** Oi ataktopoiíthi h skoteinoi chwroi ginóntai apítes atuchimátwn.
- Mh chrisimopoiéite hlektriká ergaleía se peribállon ópou upárhxi kίνδunos ékhrhshs, ópws me parousía eúflekton ugrwón, aeríwn h skónhsh.** Ta hlektriká ergaleía parágonu spiníthres pou mourei na prokaléssoun anáflexi ths skónhsh h twn anathumíaseon.
- Ótan chrisimopoiéite hlektrikó ergaleío, kratáte makríá ta paidía kai álla átoma.** Parágonτες pou αποσπούν thn prosochí mourei na sas kánon na chásate ton éλεγcho.

2. Asfalísh chrisi hlektrikou reúmatos

- Ta físh twn hlektrikwón ergaleíwn prépei na tairiázoun sthn prízta. Se kamía perípwtsh mh troptopoiíhsete to físh me kanéna trópo. Mh chrisimopoiéite físh proasarmoghísh me giewiména hlektriká ergaleía.** Ta físh pou den échoun upostéi troptopoiíhseis kai oi katállhles príztes meíwoun ton kίνδuno hlekτροπληgíshs.
- Aποféugete thn επαφή tou sómatós sas me giewiménes epifáneis, ópws swlínhes, kalorifépr, kouzínesh kai psygeía.** Ypárhxi auzhiménos kίνδunos hlekτροπληgíshs an to sóma sas éinai giewiméno.

- Mh ekthéte ta hlektriká ergaleía se brochí h ugrasiá.** H eisochwrshe nerou se hlektrikó ergaleío auzáni ton kίνδuno hlekτροπληgíshs.
- Mh kakometachriízete to kalwío. Mh chrisimopoiéite poté to kalwío gia na metaférete to ergaleío, na to trabíhete h na to αποσυνδέσετε από thn prízta. Kratáte to kalwío makríá από θερμότητα, ládiá, aichmhrá ákra h kinouména mérh.** Ta kalwídiá pou échoun upostéi zhmiá h éinai mperdeiména auzánoun ton kίνδuno hlekτροπληgíshs.
- Ótan chrisimopoiéite hlektrikó ergaleío se ezwtterikous chwrous, na chrisimopoiéite pántote kalwío epéktaσης katállhlo gia ergasiá se ezwtterikous chwrous.** H chrisi kalwídiou katállhlou gia ergasiá se ezwtterikous chwrous meíwnei ton kίνδuno hlekτροπληgíshs.
- Éán éinai anapófwektikhí h chrisi enós hlektrikou ergaleíou se sunthkes ugrasiás, chrisimopoiíhsete mia díataxi proasasiás από reúma diarrohísh (RCD).** H chrisi miás díataxhs RCD meíwnei ton kίνδuno hlekτροπληgíshs.

3. Proswpikhí asfaléia

- Ótan chrisimopoiéite hlektrikó ergaleío, na éistete se ergíhgorsh, na sykentrwónestete sthn ergasiá pou kánete kai na epistратeúete thn kiníh logikhí. Mh chrisimopoiéite hlektrikó ergaleío ótan éistete kourasiménosh h upó thn epírhria narkwotikwón, oinoπneuómatoú h farmakewtikísh agwghísh. Mía stigmíh aprossejías katá th chrisi hlektrikwón ergaleíwn mourei na prokalései sobaró traumaτισμό.**
- Na chrisimopoiéite atomikó ezoplismo proasasiás. Pánta foráte proasasiá matiwn.** O ezoplismós proasasiás, ópws máská katá ths skónhsh, antioliosththiká papútsia asfaléias, krános h proasasiá akohísh, ótan chrisimopoiétai gia tis katállhles sunthkes, tha meíwsei tous traumaτισμούς kai tis swmatíkés blábes.
- Aποtrépete thn akouσία energopoiísh. Beβaiwtheíte óti o diakóptish brísketai sth théshe apenergopoiíshshs prin συνδέσετε to ergaleío sthn pnhíh reúmatos kai/hí toptoethísete to pakéto mpataρίας, kathws kai prin párete sta chéria sas h metaférete to ergaleío.** H metaforá hlektrikwón ergaleíwn me to dáchulo pánw sto diakóptish h h súndesh sto reúma hlektrikwón ergaleíwn me to diakóptish sth théshe energopoiíshsh, enéche kίνδunous atuchimátwn.
- Prin théssete to hlektrikó ergaleío se leitourghía, aphaírete tuchón ergaleía h kleidía rúthmishsh. An parameinei ergaleío h kleidí rúthmishsh συνdediméno se peristrefómehno ezárhthma tou hlektrikou ergaleíou, autó mourei na éche ws αποτέλεσμα traumaτισμό átómwn.**

- ε. Μην τεντώνετε υπερβολικά. Διατηρείτε πάντα σταθερή στήριξη στα πόδια σας και καλή ισορροπία. Έτσι μπορείτε να έχετε καλύτερο έλεγχο του ηλεκτρικού εργαλείου σε μη αναμενόμενες καταστάσεις.
- στ. Φοράτε κατάλληλη ενδυμασία εργασίας. Μη φοράτε ρούχα με χαλαρή εφαρμογή ούτε κοσμήματα. Κρατάτε τα μαλλιά, τα ρούχα και τα γάντια σας μακριά από κινούμενα μέρη. Τα χαλαρά ρούχα, τα κοσμήματα και τα μακριά μαλλιά μπορούν να πιαστούν σε κινούμενα μέρη.
- ζ. Αν παρέχονται διατάξεις για τη σύνδεση συστημάτων απομάκρυνσης και συλλογής της σκόνης, βεβαιωθείτε ότι αυτά είναι συνδεδεμένα και χρησιμοποιούνται σωστά. Η χρήση διατάξεων συλλογής της σκόνης μπορεί να μειώσει τους κινδύνους που προέρχονται από τη σκόνη.
4. Χρήση και φροντίδα ηλεκτρικών εργαλείων
- α. Μην υπερφορτώνετε το ηλεκτρικό εργαλείο. Χρησιμοποιείτε το σωστό ηλεκτρικό εργαλείο για την εφαρμογή. Το σωστό ηλεκτρικό εργαλείο θα εκτελέσει την εργασία καλύτερα και ασφαλέστερα, με την ένταση χρήσης για την οποία σχεδιάστηκε.
- β. Μη χρησιμοποιήσετε ηλεκτρικό εργαλείο αν ο διακόπτης του δεν μπορεί να ενεργοποιεί και απενεργοποιεί. Ένα ηλεκτρικό εργαλείο του οποίου η λειτουργία δεν μπορεί να ελεγχθεί με το διακόπτη είναι επικίνδυνο και πρέπει να επισκευαστεί.
- γ. Αποσυνδέστε το φως από την πηγή ρεύματος και/ή το πακέτο μπαταρίας από το ηλεκτρικό εργαλείο, πριν διεξαγάγετε οποιαδήποτε ρύθμιση, αλλαγή αξεσουάρ ή όταν πρόκειται να αποθηκεύσετε το ηλεκτρικό εργαλείο. Τέτοια προληπτικά μέτρα ασφαλείας μειώνουν το κίνδυνο αθέλητης εκκίνησης του ηλεκτρικού εργαλείου.
- δ. Να φυλάσσετε μακριά από παιδιά τα ηλεκτρικά εργαλεία που δεν χρησιμοποιείτε. Μην αφήνετε να χρησιμοποιήσουν ηλεκτρικό εργαλείο άτομα που δεν είναι εξοικειωμένα με αυτό ή άτομα που δεν έχουν διαβάσει αυτές τις οδηγίες χρήσης. Τα ηλεκτρικά εργαλεία είναι επικίνδυνα στα χέρια μη εκπαιδευμένων χρηστών.
- ε. Να συντηρείτε τα ηλεκτρικά εργαλεία. Ελέγχετε για προβλήματα ευθυγράμμισης ή για μάγκωμα των κινούμενων εξαρτημάτων, θραύση εξαρτημάτων, καθώς και για οποιοδήποτε άλλο πρόβλημα μπορεί να επηρεάσει τη λειτουργία των ηλεκτρικών εργαλείων. Αν το εργαλείο έχει υποστεί ζημιά, φροντίστε να επισκευαστεί πριν το χρησιμοποιήσετε. Η ανεπαρκής συντήρηση των ηλεκτρικών εργαλείων αποτελεί αιτία πολλών ατυχημάτων.
- στ. Διατηρείτε τα κοπτικά εργαλεία κοφτερά και καθαρά. Τα κοπτικά εργαλεία με αιχμηρά κοπτικά άκρα που συντηρούνται σωστά έχουν λιγότερες πιθανότητες να μπλοκάρουν και ελέγχονται ευκολότερα.

ζ. Να χρησιμοποιείτε το ηλεκτρικό εργαλείο, τα αξεσουάρ και τις μύτες του εργαλείου κλπ. σύμφωνα με τις παρούσες οδηγίες, λαμβάνοντας υπόψη σας τις συνθήκες εργασίας και την εργασία που θέλετε να εκτελέσετε. Η χρήση του ηλεκτρικού εργαλείου για εργασίες διαφορετικές από τις προβλεπόμενες θα μπορούσε να οδηγήσει σε επικίνδυνη κατάσταση.

5. Χρήση και φροντίδα εργαλείων μπαταρίας
- α. Να επαναφορτίζετε μόνο με το φορτιστή που καθορίζει ο κατασκευαστής. Ένας φορτιστής που είναι κατάλληλος για ένα τύπο πακέτου μπαταρίας μπορεί να δημιουργήσει κίνδυνο πυρκαγιάς όταν χρησιμοποιείται με άλλο πακέτο μπαταρίας.
- β. Χρησιμοποιείτε τα ηλεκτρικά εργαλεία αποκλειστικά και μόνο με τα καθοριζόμενα πακέτα μπαταριών. Η χρήση άλλων πακέτων μπαταριών μπορεί να προκαλέσει κίνδυνο τραυματισμού και πυρκαγιάς.
- γ. Όταν το πακέτο μπαταρίας δεν χρησιμοποιείται, κρατάτε το μακριά από άλλα μεταλλικά αντικείμενα, όπως συνδετήρες, κέρματα, κλειδιά, καρφιά, βίδες ή άλλα μικρά μεταλλικά αντικείμενα που μπορούν να βραχυκυκλώσουν τους δύο ακροδέκτες του. Αν βραχυκυκλωθούν οι ακροδέκτες της μπαταρίας, μπορεί να προκληθούν εγκαύματα ή πυρκαγιά.
- δ. Αν οι μπαταρίες υποστούν κακομεταχείριση, μπορεί να διαρρεύσει υγρό. Αποφύγετε την επαφή. Αν κατά λάθος έρθετε σε επαφή, ξεπλύνετε με νερό. Σε περίπτωση που το υγρό έλθει σε επαφή με τα μάτια σας, ζητήστε επιπλέον και ιατρική βοήθεια. Το υγρό που εξέρχεται από την μπαταρία μπορεί να προκαλέσει ερεθισμό ή εγκαύματα.

6. Σέρβις
- α. Αναθέτετε το σέρβις του ηλεκτρικού σας εργαλείου σε εξειδικευμένο τεχνικό επισκευών που χρησιμοποιεί μόνο γνήσια ανταλλακτικά. Έτσι θα εξασφαλίσετε τη διατήρηση της ασφάλειας του ηλεκτρικού εργαλείου.

Πρόσθετες προειδοποιήσεις ασφαλείας για ηλεκτρικά εργαλεία



Προειδοποίηση! Συμπληρωματικές προειδοποιήσεις ασφαλείας για τρόχισμα, λείανση, χρήση συρματόβουρτσας, στίλβωση ή εφαρμογές λειαντικής κοπής.

- ♦ Αυτό το ηλεκτρικό εργαλείο προορίζεται για χρήση ως τροχός, τριβείο, συρματόβουρτσα, στίλβωτικό ή εργαλείο κοπής. Διαβάστε όλες τις προειδοποιήσεις ασφαλείας, τις οδηγίες, τις απεικονίσεις και τις προδιαγραφές που συνοδεύουν αυτό το ηλεκτρικό εργαλείο. Η μη τήρηση οποιασδήποτε από τις οδηγίες που

αναφέρονται πιο κάτω μπορεί να έχει ως αποτέλεσμα ηλεκτροπληξία, πυρκαγιά και/ή σοβαρό τραυματισμό.

- ♦ Εργασίες για τις οποίες δεν έχει σχεδιαστεί το ηλεκτρικό εργαλείο μπορεί να δημιουργήσουν κίνδυνο και να προκαλέσουν σωματική βλάβη.
- ♦ Μη χρησιμοποιείτε αξεσουάρ τα οποία δεν σχεδιάστηκαν ειδικά και δεν συνιστώνται από τον κατασκευαστή του εργαλείου. Απλά επειδή το αξεσουάρ μπορεί να προσαρτηθεί στο ηλεκτρικό σας εργαλείο, αυτό δεν εξασφαλίζει την ασφαλή λειτουργία.
- ♦ Η ονομαστική ταχύτητα του αξεσουάρ πρέπει να είναι τουλάχιστον ίση με τη μέγιστη ταχύτητα που είναι επισημασμένη πάνω στο ηλεκτρικό εργαλείο. Αξεσουάρ που περιστρέφονται ταχύτερα από την ονομαστική τους ταχύτητα μπορεί να σπάσουν και τα θραύσματά τους να εκτιναχθούν
- ♦ Η εξωτερική διάμετρος και το πάχος του αξεσουάρ πρέπει να βρίσκονται εντός των ορίων των ικανοτήτων του ηλεκτρικού εργαλείου σας. Για αξεσουάρ με λανθασμένες διαστάσεις δεν μπορεί να εξασφαλιστεί επαρκής προστασία ή έλεγχος.
- ♦ Η βιδωτή βάση των αξεσουάρ πρέπει να ταιριάζει με το σπείρωμα του άξονα του εργαλείου τροχού. Για αξεσουάρ που στερεώνονται με φλάντζες, η οπή ατράκτου του αξεσουάρ πρέπει να ταιριάζει με τη διάμετρο τοποθέτησης της φλάντζας. Αξεσουάρ που δεν ταιριάζουν με τα υλικά στερέωσης του ηλεκτρικού εργαλείου θα κινούνται εκτός ζυγοστάθμισης, θα δονούνται υπερβολικά και μπορεί να γίνουν αιτία απώλειας του ελέγχου.
- ♦ Μη χρησιμοποιήσετε αξεσουάρ που έχει υποστεί ζημιά. Πριν από κάθε χρήση, επιθεωρείτε το αξεσουάρ, όπως τροχούς λείανσης, ή εκλεπίσεις και ρωγμές, την επιφάνεια στήριξης για ρωγμές, σχίσμο ή υπερβολική φθορά, τη συρματόβουρτσα για αποκολλημένα ή ραγισμένα σύρματα. Αν πέσει κάτω το ηλεκτρικό εργαλείο ή το αξεσουάρ, ελέγξτε το αξεσουάρ προσεκτικά για ζημιά ή εγκαταστήστε αξεσουάρ που δεν έχει υποστεί ζημιά. Μετά την επιθεώρηση και την εγκατάσταση ενός αξεσουάρ, εσείς και τυχόν παρευρισκόμενα άτομα πρέπει να πάρετε θέση μακριά από το επίπεδο περιστροφής της λεπίδας και να λειτουργήσετε το ηλεκτρικό εργαλείο στη μέγιστη ταχύτητα χωρίς φορτίο για ένα λεπτό. Τα αξεσουάρ που έχουν υποστεί ζημιά κανονικά θα διαλυθούν στη διάρκεια αυτού του χρόνου δοκιμής.
- ♦ Φοράτε εξοπλισμό ατομικής προστασίας. Ανάλογα με την εφαρμογή, χρησιμοποιείτε προστατευτικό πρόσωπο, ειδικά ματογούαλια ασφαλείας ή γυαλιά ασφαλείας. Φοράτε, όπως ενδείκνυται, μάσκα κατά της σκόνης, προστατευτικά ακοής, γάντια και ποδιά συνεργείου ικανή να σταματά θραύσματα από τον τροχό λείανσης ή το τεμάχιο εργασίας.

Τα προστατευτικά ματιών πρέπει να έχουν την ικανότητα να σταματούν εκτινασόμενα σωματίδια που παράγονται από διάφορες εργασίες. Η μάσκα σκόνης ή αναπνευστική συσκευή πρέπει να είναι σε θέση να φιλτράρει σωματίδια που παράγονται από την εργασία σας. Η παρατεταμένη έκθεση σε θόρυβο υψηλής έντασης μπορεί να προκαλέσει απώλεια ακοής.

- ♦ Κρατάτε τους παρευρισκόμενους σε ασφαλή απόσταση από την περιοχή εργασίας. Οποιοσδήποτε εισέρχεται στην περιοχή εργασίας πρέπει να φορά προστατευτικό εξοπλισμό. Θραύσματα του τεμαχίου εργασίας ή ένα σπασμένο αξεσουάρ μπορεί να εκσφενδονιστεί και να προκαλέσει τραυματισμούς πέρα από την άμεση περιοχή των εργασιών.
- ♦ Κρατάτε το ηλεκτρικό εργαλείο από μονωμένες επιφάνειες λαβής και μόνο, όταν εκτελείτε μια εργασία όπου το αξεσουάρ κοπής μπορεί να έρθει σε επαφή με αθέατα καλώδια ή με το ίδιο το καλώδιο του εργαλείου. Αν αξεσουάρ κοπής έρθει σε επαφή με καλώδιο υπό τάση, μπορεί να θεθούν υπό ηλεκτρική τάση και τα εκτεθειμένα μεταλλικά μέρη του ηλεκτρικού εργαλείου και να προκληθεί ηλεκτροπληξία στο χειριστή.
- ♦ Διευθετήστε το καλώδιο μακριά από το περιστρεφόμενο αξεσουάρ. Αν χάσετε τον έλεγχο, το καλώδιο μπορεί να κοπεί ή να μπλεχτεί και το κάτω ή το πάνω τμήμα του χεριού σας μπορεί τραβηχτεί πάνω στο περιστρεφόμενο αξεσουάρ.
- ♦ Ποτέ μην αφήνετε κάτω το ηλεκτρικό εργαλείο αν πρώτα δεν έχει σταματήσει τελείως να κινείται το αξεσουάρ. Το περιστρεφόμενο αξεσουάρ μπορεί να έρθει σε επαφή με την επιφάνεια και να ακινητοποιηθεί σε αυτή, με αποτέλεσμα το ηλεκτρικό εργαλείο να τραβηχτεί εκτός ελέγχου σας.
- ♦ Μη έχετε ή θέτετε σε λειτουργία το ηλεκτρικό εργαλείο ενώ το μεταφέρετε στο πλευρό σας. Τυχόν αθέλητη επαφή με το περιστρεφόμενο αξεσουάρ θα μπορούσε να πιάσει τα ρούχα σας, τραβώντας το αξεσουάρ προς το σώμα σας.
- ♦ Καθαρίζετε τακτικά τις εγχοπές εξαερισμού του ηλεκτρικού εργαλείου. Ο ανεμιστήρας του μοτέρ θα τραβήξει τη σκόνη μέσα στο περίβλημα και η υπερβολικά μεγάλη συγκέντρωση σκόνης μετάλλου μπορεί να προκαλέσει κινδύνους από το ηλεκτρικό ρεύμα.
- ♦ Μη χρησιμοποιείτε το ηλεκτρικό εργαλείο κοντά σε εύφλεκτα υλικά. Αυτά τα υλικά θα μπορούσαν να αναφλεγούν από σπινθήρες.
- ♦ Μη χρησιμοποιείτε αξεσουάρ για τα οποία απαιτείται ψύξη με ψυκτικά υγρά. Η χρήση νερού ή άλλων ψυκτικών υγρών μπορεί να προκαλέσει ηλεκτροπληξία που ίσως αποβεί θανατηφόρα.

Σημείωση: Η παραπάνω προειδοποίηση δεν έχει εφαρμογή σε ηλεκτρικά εργαλεία που έχουν σχεδιαστεί ειδικά για χρήση με σύστημα υγρού.

Ανάδραση και σχετικές προειδοποιήσεις

Η ανάδραση (κλώτσημα) είναι μια ξαφνική αντίδραση όταν ένας περιστρεφόμενος τροχός, πέλμα στήριξης γυαλόχαρτου, βούρτσα ή κάποιο άλλο εξάρτημα σφηνώσει ή μαγκώσει. Το σφηνώμα ή μάγκωμα προκαλεί ταχεία ακινητοποίηση του περιστρεφόμενου αξεσουάρ που με τη σειρά της εξαναγκάζει το εκτός ελέγχου ηλεκτρικό εργαλείο προς την αντίθετη κατεύθυνση της περιστροφής του αξεσουάρ από το σημείο εμπλοκής.

Για παράδειγμα, αν ένας τροχός λείανσης πιαστεί ή κολληθεί στο τεμάχιο εργασίας, η ακμή του τροχού που εισέρχεται στο σημείο εμπλοκής μπορεί να σκάψει την επιφάνεια του υλικού προκαλώντας την έξοδο ή το κλώτσημα του τροχού. Ο τροχός μπορεί είτε να αναπηδήσει προς το χειριστή ή αντίθετα από αυτόν, ανάλογα με την κατεύθυνση κίνησης του τροχού στο σημείο εμπλοκής. Οι τροχοί λείανσης μπορούν επίσης να σπάσουν υπό αυτές τις συνθήκες.

Η ανάδραση αποτελεί συνέπεια κακής χρήσης του ηλεκτρικού εργαλείου ή/και εσφαλμένων διαδικασιών ή συνθηκών λειτουργίας και μπορεί να αποφευχθεί με κατάλληλα προληπτικά μέτρα, όπως αυτά που περιγράφονται παρακάτω.

- ◆ Κρατάτε το ηλεκτρικό εργαλείο σταθερά και να τοποθετείτε το σώμα και το βραχιόνά σας έτσι ώστε να μπορείτε να αντισταθείτε σε δυνάμεις ανάδρασης. Πάντα χρησιμοποιείτε τη βοηθητική λαβή, εάν παρέχεται, για μέγιστο έλεγχο της ανάδρασης ή της αντίδρασης ροπής κατά την εκκίνηση. Ο χειριστής μπορεί να ελέγξει αντιδράσεις ροπής ή δυνάμεις ανάδρασης αν έχουν ληφθεί κατάλληλες προφυλάξεις.
- ◆ Ποτέ μην τοποθετείτε το χέρι σας κοντά στο περιστρεφόμενο αξεσουάρ. Το αξεσουάρ μπορεί με την ανάδραση να κινηθεί πάνω στο χέρι σας.
- ◆ Μην τοποθετείτε το σώμα σας στην περιοχή όπου θα κινηθεί το ηλεκτρικό εργαλείο σε περίπτωση ανάδρασης. Η ανάδραση θα κινήσει το εργαλείο σε αντίθετη κατεύθυνση από την κίνηση του τροχού στο σημείο εμπλοκής.
- ◆ Δείτε ιδιαίτερη προσοχή κατά την εργασία σε γωνίες, αιχμηρές ακμές κλπ. Αποφύγετε την αναπήδηση και την εμπλοκή του αξεσουάρ. Οι γωνίες, οι αιχμηρές ακμές ή η αναπήδηση έχουν την τάση να εμπλέκουν το περιστρεφόμενο αξεσουάρ και να προκαλούν απώλεια ελέγχου ή ανάδραση.
- ◆ Μην συνδέετε στο εργαλείο δίσκο κοπής ξύλου με αλυσίδα ή οδοντωτή λεπίδα πριονιού. Αυτό του είδους οι λεπίδες δημιουργούν συχνή ανάδραση και απώλεια του ελέγχου.

Προειδοποιήσεις ασφαλείας ειδικά για εργασίες τροχίσματος και λειαντική κοπή:

- ◆ Χρησιμοποιείτε μόνο τύπους τροχού που συνιστώνται για το ηλεκτρικό εργαλείο σας και τον ειδικό προφυλακτήρα που έχει σχεδιαστεί για τον επιλεγμένο τροχό. Για τροχούς για τους οποίους δεν έχει σχεδιαστεί το ηλεκτρικό εργαλείο δεν μπορεί να επιτευχθεί επαρκής προστασία και επομένως αυτοί δεν είναι ασφαλείς.
- ◆ Η επιφάνεια τροχίσματος σε τροχούς βυθισμένου κέντρου πρέπει να τοποθετείται κάτω από το επίπεδο του χείλους του προφυλακτήρα. Ένας ακατάλληλα τοποθετημένος τροχός που προεξέχει από το επίπεδο του χείλους του προφυλακτήρα δεν επιτρέπει επαρκή προστασία.
- ◆ Για τη μέγιστη ασφάλεια, ο προφυλακτήρας πρέπει να είναι συνδεδεμένος με ασφάλεια στο ηλεκτρικό εργαλείο και να είναι τοποθετημένος κατά τέτοιο τρόπο ώστε να εκτίθεται προς τον χειριστή το μικρότερο δυνατό μέρος του τροχού. Ο προφυλακτήρας συμβάλλει στην προστασία του χειριστή από θραύσματα από τυχόν ρήξη του τροχού, καθώς και από τυχαία επαφή με τον τροχό και σπινθήρες που θα μπορούσαν να προκαλέσουν ανάφλεξη στα ρούχα.
- ◆ Οι τροχοί πρέπει να χρησιμοποιούνται μόνο για τις συνιστώμενες εφαρμογές. Για παράδειγμα: μην τροχίζετε με το πλάι του τροχού κοπή. Οι λειαντικοί τροχοί κοπής προορίζονται για τροχίσμα με την περιφέρεια μόνο και αν εφαρμοστούν πλεονεκτήματα στους τροχούς αυτούς, μπορεί να προκληθεί θραύση τους.
- ◆ Πάντα να χρησιμοποιείτε φλάντζες τροχών που δεν έχουν ζημιές και είναι του σωστού μεγέθους και σχήματος για τον τροχό που έχετε επιλέξει. Οι κατάλληλες φλάντζες τροχού σφηνώνουν τον τροχό, ελαττώνοντας κατ' αυτόν τον τρόπο την πιθανότητα θραύσης του τροχού. Οι φλάντζες για τροχούς κοπής μπορεί να είναι διαφορετικές από τις φλάντζες για τροχούς τροχίσματος.
- ◆ Μην χρησιμοποιείτε φθαρμένους τροχούς από μεγαλύτερα ηλεκτρικά εργαλεία. Ένας τροχός που προορίζεται για μεγαλύτερο ηλεκτρικό εργαλείο δεν είναι κατάλληλος για τη μεγαλύτερη ταχύτητα ενός μικρότερου εργαλείου και μπορεί να σπάσει.

Πρόσθετες προειδοποιήσεις ασφαλείας για εργασίες λειαντικής αποκοπής

- ◆ Μην «σφηνώνετε» τον τροχό κοπής και μην εφαρμόζετε υπερβολική πίεση. Μην επιχειρείτε να επιτύχετε υπερβολικό βάθος κοπής. Η υπερβολική καταπόνηση του τροχού αυξάνει το φορτίο και την ευπάθεια σε συστροφή ή μάγκωμα του τροχού μέσα στην κοπή και επομένως την πιθανότητα ανάδρασης ή θραύσης του τροχού.
- ◆ Μην τοποθετείτε το σώμα σας σε ευθεία με τον περιστρεφόμενο τροχό ή πίσω από αυτόν. Αν ο τροχός,

στο σημείο χρήσης του, κινείται μακριά από το σώμα σας, μια πιθανή ανάδραση (κλώτσημα) μπορεί να κάνει τον περιστρεφόμενο τροχό και το ηλεκτρικό εργαλείο να πιναχτούν κατευθείαν προς το μέρος σας.

- ◆ Όταν μαγκώνει ο τροχός ή όταν διακόπτετε μια κοπή για οποιονδήποτε λόγο, απενεργοποιείτε το ηλεκτρικό εργαλείο και κρατάτε το εργαλείο ακίνητο έως ότου ο τροχός ακινητοποιηθεί τελείως. Ποτέ μην προσπαθήσετε να αφαιρέσετε τον τροχό κοπής από την οπή, ενώ ο τροχός είναι σε κίνηση, διαφορετικά μπορεί να σημειωθεί ανάδραση. Διευρύνστε και πάρτε διορθωτικά μέτρα για να εξαλείψετε το αίτιο του μαγκώματος του τροχού.
- ◆ Μην επανεκκινήσετε την εργασία κοπής από μέσα από το τεμάχιο εργασίας. Αφήστε πρώτα τον τροχό να φθάσει σε πλήρη ταχύτητα και προσεκτικά εισάγετέ τον πάλι στην κοπή. Ο τροχός μπορεί να μαγκώσει, να κινηθεί προς το μέρος σας ή να παρουσιάσει ανάδραση αν το ηλεκτρικό εργαλείο επανεκκινήσει ενώ είναι μέσα στο τεμάχιο εργασίας.
- ◆ Να υποστηρίζετε τα μεγάλα φύλλα ή τα υπερμεγέθη τεμάχια εργασίας ώστε να ελαχιστοποιείτε τον κίνδυνο σφηνώματος και ανάδρασης του τροχού. Τα μεγάλα τεμάχια εργασίας τείνουν να κάμπτονται υπό το ίδιο τους το βάρος. Τα στηρίγματα πρέπει να τοποθετούνται κάτω από το τεμάχιο εργασίας κοντά στη γραμμή κοπής και κοντά στο άκρο του τεμαχίου εργασίας και στις δύο πλευρές του τροχού.
- ◆ Να είστε εξαιρετικά προσεκτικοί όταν δημιουργείτε «κοπή εσωτερικού ανοίγματος» σε υπάρχοντες τοίχους ή άλλες τυφλές περιοχές. Ο τροχός που προεξέχει μπορεί να κόψει σωλήνες αερίου ή νερού, ηλεκτρικά καλώδια ή αντικείμενα που μπορεί να προκαλέσουν ανάδραση.

Προειδοποιήσεις ασφαλείας ειδικά για εργασία λείανσης

- ◆ Μην χρησιμοποιείτε υπερβολικά υπερμεγέθους χαρτί δίσκου γυαλόχαρτίματος. Τηρήστε τις συστάσεις του κατασκευαστή, κατά την επιλογή γυαλόχαρτου. Το μεγάλο γυαλόχαρτο που εκτείνεται πέρα από το πέλμα γυαλόχαρτίματος δημιουργεί κίνδυνο κοψίματος και μπορεί να προκαλέσει μάγκωμα, σχίσσιμο του δίσκου ή ανάδραση.

Προειδοποιήσεις ασφαλείας ειδικά για εργασία στίλβωσης

- ◆ Μην επιτρέψετε σε κανένα χαλαρωμένο τμήμα της κεφαλής γυαλισματος ή των κορδονίων σύνδεσής της να περιστρέφονται ανεξέλεγκτα. Στερεώστε μέσα στην κεφαλή ή κόψτε τυχόν ελεύθερα κορδόνια σύνδεσης. Τα ελεύθερα κορδόνια σύνδεσης που περιστρέφονται

μπορούν να πιάσουν τα δάχτυλά σας ή να πιαστούν στο τεμάχιο εργασίας και να συσφιχτούν.

Προειδοποιήσεις ασφαλείας ειδικά για εργασίες χρήσης συρματόβουρτσας

- ◆ Έχετε υπόψη σας ότι συρματίνες τρίχες εκσφενδονίζονται από τη βούρτσα ακόμη και κατά τη συνήθη λειτουργία. Μην καταπονείτε υπερβολικά τα σύρματα εφαρμόζοντας υπερβολικό φορτίο στη βούρτσα. Οι συρματίνες τρίχες μπορούν να διεισδύσουν εύκολα σε ελαφρύ ρουχισμό και/ή το δέρμα.
- ◆ Αν συνιστάται η χρήση προφυλακτήρα για τις εργασίες με συρματόβουρτσα, μην επιτρέψετε οποιαδήποτε επαφή του συρματινού τροχού ή της συρματόβουρτσας με το προστατευτικό. Η διάμετρος του συρματινού τροχού ή της συρματόβουρτσας μπορεί να αυξηθεί λόγω του φορτίου εργασίας και των φυγόκεντρων δυνάμεων.



Προειδοποίηση! Η επαφή ή η εισπνοή της σκόνης που δημιουργούν οι εφαρμογές λείανσης μπορεί να ενέχουν κίνδυνο για την υγεία του χειριστή και των παρευρισκομένων. Φορέστε μάσκα σκόνης ειδικά σχεδιασμένη για προστασία από τη σκόνη και τις αναθυμιάσεις και βεβαιωθείτε ότι τα άτομα που βρίσκονται ή εισέρχονται στο χώρο εργασίας είναι επίσης προστατευμένα.

Ασφάλεια τρίτων

- ◆ Αυτό το εργαλείο μπορεί να χρησιμοποιηθεί από παιδιά ηλικίας 8 ετών και άνω καθώς και από άτομα με μειωμένες σωματικές, αισθητηριακές ή διανοητικές ικανότητες ή άτομα χωρίς εμπειρία και γνώσεις, μόνο εφόσον αυτά επιτηρούνται ή τους έχουν δοθεί οδηγίες σχετικά με την ασφαλή χρήση της συσκευής και έχουν κατανοήσει τους πιθανούς κινδύνους.
- ◆ Τα παιδιά δεν πρέπει να παίζουν με τη συσκευή. Ο καθαρισμός και η συντήρηση από το χρήστη δεν πρέπει να γίνονται από παιδιά χωρίς επίβλεψη.

Υπολειπόμενοι κίνδυνοι

Κατά τη χρήση του εργαλείου μπορεί να δημιουργηθούν πρόσθετοι υπολειπόμενοι κίνδυνοι, οι οποίοι ενδέχεται να μη συμπεριλαμβάνονται στις προειδοποιήσεις ασφαλείας που εσωκλείονται. Αυτοί οι κίνδυνοι μπορεί να προκληθούν από κακή χρήση, παρατεταμένη χρήση κλπ.

Παρά την εφαρμογή των σχετικών κανονισμών ασφαλείας και τη χρήση διατάξεων ασφαλείας, ορισμένοι υπολειπόμενοι κίνδυνοι δεν είναι δυνατόν να αποφευχθούν. Σ' αυτούς περιλαμβάνονται:

- ◆ Τραυματισμοί από επαφή με περιστρεφόμενα/κινούμενα μέρη.

- ♦ Τραυματισμοί κατά την αλλαγή οποιωνδήποτε εξαρτημάτων, λεπίδων ή αξεσουάρ.
- ♦ Σωματικές βλάβες από παρατεταμένη χρήση του εργαλείου. Όταν χρησιμοποιείτε οποιοδήποτε εργαλείο για παρατεταμένα χρονικά διαστήματα, μην παραλείπετε με κανένα τρόπο να κάνετε τακτικά διαλείμματα.
- ♦ Βλάβη της ακοής.
- ♦ Κίνδυνοι στην υγεία που προκαλούνται από την εισπνοή σκόνης, όταν χρησιμοποιείτε το εργαλείο (παράδειγμα: όταν επεξεργάζεστε ξύλο, ειδικά δρυ, οξιά και MDF.)

Κραδασμοί

Η δηλωμένη τιμή εκπομπής κραδασμών που αναφέρεται στα τεχνικά χαρακτηριστικά και τη δήλωση συμμόρφωσης έχει μετρηθεί σύμφωνα με τυποποιημένη μέθοδο δοκιμής που προβλέπεται από το πρότυπο EN 60745 και μπορεί να χρησιμοποιηθεί για τη σύγκριση ενός εργαλείου με ένα άλλο. Η δηλωμένη τιμή εκπομπής κραδασμών μπορεί επίσης να χρησιμοποιηθεί σε έναν προκαταρκτικό προσδιορισμό της έκθεσης σε κραδασμούς.

Προειδοποίηση! Η τιμή εκπομπής κραδασμών κατά την χρήση του ηλεκτρικού εργαλείου στην πράξη, μπορεί να διαφέρει από την τιμή που δηλώθηκε, ανάλογα με τον τρόπο που χρησιμοποιείται το εργαλείο. Το επίπεδο κραδασμών μπορεί να αυξηθεί πάνω από το επίπεδο που έχει δηλωθεί.

Κατά τον προσδιορισμό της έκθεσης σε κραδασμούς για τον καθορισμό των απαιτούμενων μέτρων ασφάλειας σύμφωνα με την οδηγία 2002/44/EK για την προστασία προσώπων που χρησιμοποιούν συχνά ηλεκτρικά εργαλεία στην εργασία τους, μια προσεγγιστική εκτίμηση της έκθεσης σε κραδασμούς πρέπει να λαμβάνει υπόψη τις πραγματικές συνθήκες χρήσης και τον τρόπο χρήσης του εργαλείου, συμπεριλαμβανομένων και όλων των επιμέρους τμημάτων του κύκλου εργασίας, όπως τα χρονικά διαστήματα που το εργαλείο ήταν εκτός λειτουργίας και τα διαστήματα λειτουργίας χωρίς φορτίο επιπλέον του χρόνου πίεσης της σκανδάλης.

Ετικέτες πάνω στο εργαλείο

Το εργαλείο φέρει τα παρακάτω προειδοποιητικά σύμβολα μαζί με τον κωδικό ημερομηνίας:



Προειδοποίηση! Για να μειωθεί ο κίνδυνος τραυματισμού, ο χρήστης πρέπει να διαβάσει το εγχειρίδιο οδηγιών.



Φοράτε γυαλιά ασφαλείας ή ειδικά προστατευτικά γυαλιά όταν χρησιμοποιείτε αυτό το εργαλείο.



Φοράτε ωσπατίδες όταν χρησιμοποιείτε αυτό το εργαλείο.

Πρόσθετες οδηγίες ασφαλείας για μπαταρίες και φορτιστές

Μπαταρίες

- ♦ Ποτέ μην επιχειρήσετε να τις ανοίξετε, για κανένα λόγο.
- ♦ Μην εκθέτετε την μπαταρία σε νερό.
- ♦ Μην αποθηκεύετε σε θέσεις όπου η θερμοκρασία ενδέχεται να υπερβεί τους 40 °C.
- ♦ Η φόρτιση πρέπει να γίνεται μόνο σε θερμοκρασίες περιβάλλοντος μεταξύ 10 °C και 40 °C.
- ♦ Η φόρτιση πρέπει να γίνεται μόνο με το φορτιστή που παρέχεται μαζί με το εργαλείο.
- ♦ Κατά την απόρριψη των μπαταριών, να τηρείτε τις οδηγίες που παρέχονται στην ενότητα «Προστασία του περιβάλλοντος».

Μην επιχειρήσετε να φορτίσετε μπαταρίες που έχουν υποστεί ζημιά.

Φορτιστές

- ♦ Ο φορτιστής Stanley Fat Max πρέπει να χρησιμοποιείται αποκλειστικά και μόνο για τη φόρτιση της μπαταρίας του εργαλείου το οποίο συνοδεύει. Άλλες μπαταρίες ενδέχεται να σκάσουν, προκαλώντας τραυματισμό από μων και ζημιές.
- ♦ Μην επιχειρήσετε ποτέ να φορτίσετε μη επαναφορτιζόμενες μπαταρίες.
- ♦ Να φροντίζετε να αντικαθίστανται άμεσα τα καλώδια που έχουν υποστεί ζημιά.
- ♦ Μην εκθέτετε το φορτιστή σε νερό.
- ♦ Μην ανοίξετε το φορτιστή.
- ♦ Μην εισάγετε οποιαδήποτε αντικείμενα μέσα στο φορτιστή.

Ο φορτιστής προορίζεται για χρήση μόνο σε εσωτερικούς χώρους.

Διαβάστε το εγχειρίδιο οδηγιών πριν τη χρήση.

Ασφαλής χρήση ηλεκτρικού ρεύματος

Ο φορτιστής σας φέρει διπλή μόνωση. Επομένως, δεν απαιτείται αγωγός γείωσης. Ελέγχετε πάντα ότι η τάση ρεύματος δικτύου συμφωνεί με αυτήν που αναγράφεται στην πινακίδα τεχνικών χαρακτηριστικών. Ποτέ μην επιχειρήσετε να αντικαταστήσετε τη μονάδα φορτιστή με κανονικό φως ρεύματος δικτύου.

- ♦ Αν το καλώδιο ρεύματος έχει υποστεί φθορά, πρέπει να αντικατασταθεί από τον κατασκευαστή ή από ένα εξουσιοδοτημένο κέντρο επισκευών της Stanley Fat Max, ώστε να μην αποτελέσει κίνδυνο.

Χαρακτηριστικά

Η συσκευή αυτή διαθέτει μερικά ή όλα από τα παρακάτω χαρακτηριστικά.

1. Διακόπτη ασφάλισης σε απενεργοποιημένη κατάσταση
2. Διακόπτη σκανδάλης
3. Πλευρική λαβή
4. Ασφάλεια άξονα
5. Προφυλακτήρα τροχού
6. Δίσκο τροχίσματος
7. Μπαταρία
8. Μηχανικό κλειδί δύο πείρων

ΕΙΚ. Α

9. Φορτιστή μπαταριών
10. Ενδεικτική λυχνία φόρτισης

Χρήση

Προειδοποίηση! Αφήστε το εργαλείο να λειτουργήσει με το δικό του ρυθμό. Μην το υπερφορτώνετε.

- ♦ Να είστε προετοιμασμένοι για ροή σπινθήρων όταν ο δίσκος τροχίσματος ή κοπής έρθει σε επαφή με το τεμάχιο εργασίας.
- ♦ Πάντα τοποθετείτε το εργαλείο με τέτοιο τρόπο, ώστε ο προφυλακτήρας να παρέχει τη βέλτιστη προστασία από το δίσκο τροχίσματος ή κοπής.

Φόρτιση της μπαταρίας (εικ. Α)

Η μπαταρία πρέπει να φορτιστεί πριν την πρώτη χρήση και όταν δεν μπορεί να παρέχει επαρκή ισχύ σε εργασίες που πριν γίνοντουσαν εύκολα. Η μπαταρία μπορεί να θερμαίνεται κατά τη φόρτιση. Κάτι τέτοιο είναι φυσιολογικό και δεν υποδηλώνει πρόβλημα.

Προειδοποίηση! Μη φορτίζετε την μπαταρία σε θερμοκρασίες περιβάλλοντος κάτω από 10 °C ή πάνω από 40 °C. Η συνιστώμενη θερμοκρασία φόρτισης είναι περίπου 24 °C.

Σημείωση: Ο φορτιστής δεν θα φορτίσει μια μπαταρία με θερμοκρασία κυψέλης κάτω από περίπου 10 °C ή πάνω από 40 °C.

Η μπαταρία θα πρέπει να μείνει στο φορτιστή και αυτός θα αρχίσει να τη φορτίζει αυτόματα μόλις η θερμοκρασία κυψέλης αυξηθεί ή μειωθεί αντίστοιχα.

- ♦ Για να φορτίσετε την μπαταρία (7), τοποθετήστε την στο φορτιστή (9). Η μπαταρία μπορεί να τοποθετηθεί στο φορτιστή μόνο με έναν τρόπο. Μην ασκείτε άσκοπη δύναμη. Βεβαιωθείτε ότι η μπαταρία είναι τοποθετημένη σωστά στο φορτιστή.
- ♦ Συνδέστε το φορτιστή στην πρίζα και ενεργοποιήστε την παροχή ρεύματος.

Η ενδεικτική λυχνία φόρτισης (10) θα αναβοσβήσει.

Η φόρτιση έχει ολοκληρωθεί όταν η ενδεικτική λυχνία φόρτισης (10) ανάβει σταθερά. Ο φορτιστής και η μπαταρία μπορεί

να μείνουν σε σύνδεση επ' αόριστον. Η ενδεικτική λυχνία LED θα ανάβει καθώς ο φορτιστής αναπληρώνει περιστασιακά το φορτίο της μπαταρίας.

- ♦ Φορτίζετε τις αποφορτισμένες μπαταρίες εντός 1 εβδομάδας. Η διάρκεια ζωής μιας μπαταρίας μειώνεται σημαντικά εάν αυτή αποθηκευτεί σε αποφορτισμένη κατάσταση.

Παραμονή της μπαταρίας στο φορτιστή

Ο φορτιστής και το πακέτο μπαταρίας μπορούν να παραμείνουν σε σύνδεση, με τη λυχνία LED αναμμένη, επ' αόριστον. Ο φορτιστής θα διατηρήσει το πακέτο μπαταρίας σε βέλτιστη κατάσταση και πλήρως φορτισμένο.

Διαγνωστικά φορτιστή

Εάν ο φορτιστής ανιχνεύσει ότι η μπαταρία είναι εξασθενημένη ή έχει υποστεί ζημιά, η ενδεικτική λυχνία φόρτισης (10) θα αρχίσει να αναβοσβήνει γρήγορα με κόκκινο χρώμα. Προχωρήστε ως εξής:

- ♦ Επανατοποθετήστε την μπαταρία (7).
- ♦ Εάν η ενδεικτική λυχνία φόρτισης συνεχίσει να αναβοσβήνει γρήγορα με κόκκινο χρώμα, χρησιμοποιήστε μια άλλη μπαταρία για να εξακριβώσετε αν η διαδικασία φόρτισης λειτουργεί σωστά.
- ♦ Αν η άλλη μπαταρία φορτίζεται σωστά, αυτό σημαίνει ότι η αρχική μπαταρία είναι ελαττωματική και θα πρέπει να επιστραφεί σε ένα κέντρο σέρβις για ανακύκλωση.
- ♦ Αν η νέα μπαταρία δίνει την ίδια ένδειξη με την αρχική μπαταρία, δώστε το φορτιστή για έλεγχο σε ένα εξουσιοδοτημένο κέντρο σέρβις.

Σημείωση: Μπορεί να χρειαστούν μέχρι και 30 λεπτά για να εξακριβωθεί εάν η μπαταρία είναι ελαττωματική. Εάν η μπαταρία είναι πολύ θερμή ή πολύ κρύα, η ενδεικτική λυχνία LED θα αναβοσβήνει με κόκκινο χρώμα σε γρήγορο και αργό ρυθμό εναλλασσόμενα, με μια αναλαμπή σε κάθε ρυθμό ή επαναλαμβανόμενα.

Ενεργοποίηση και απενεργοποίηση

- ♦ Για να ενεργοποιήσετε το εργαλείο, σπρώξτε προς τα εμπρός το διακόπτη ασφάλισης σε απενεργοποιημένη θέση (1). Στη συνέχεια, πατήστε και κρατήστε πατημένο το διακόπτη σκανδάλης (2).
- ♦ Για να απενεργοποιήσετε το εργαλείο, απελευθερώστε το διακόπτη σκανδάλης (2).

Προειδοποίηση! Μην ενεργοποιείτε ή απενεργοποιείτε το εργαλείο όταν βρίσκεται υπό φορτίο.

Προειδοποίηση! Σπρώχνετε πάντα το διακόπτη ασφάλισης σε απενεργοποιημένη θέση (1) προς τα πίσω στη θέση ασφάλισης όταν δεν χρησιμοποιείται το εργαλείο.

Συμβουλές για βέλτιστη χρήση

- ♦ Κρατάτε γερά το εργαλείο με το ένα χέρι γύρω από την πλευρική λαβή και το άλλο γύρω από την κύρια λαβή.

Τρόχιμα επιφάνειας με τροχούς τροχίσματος

- ◆ Αφήστε το εργαλείο να φθάσει στην πλήρη ταχύτητα πριν το φέρετε σε επαφή με την επιφάνεια εργασίας.
- ◆ Εφαρμόστε ελάχιστη πίεση στην επιφάνεια εργασίας, επιτρέποντας στο εργαλείο να λειτουργήσει σε υψηλή ταχύτητα. Η ταχύτητα τροχίσματος είναι μέγιστη όταν το εργαλείο λειτουργεί σε υψηλή ταχύτητα.
- ◆ Διατηρήστε γωνία 20° έως 30° μεταξύ του εργαλείου και της επιφάνειας εργασίας.
- ◆ Μετακινείτε συνεχώς το εργαλείο εμπρός-πίσω για να αποφύγετε την τοπική αφαίρεση υλικού σε μεγάλο βάθος από την επιφάνεια εργασίας.
- ◆ Απομακρύνετε το εργαλείο από την επιφάνεια εργασίας πριν το απενεργοποιήσετε. Επιτρέψτε στο εργαλείο να σταματήσει να περιστρέφεται πριν το αφήσετε.

Τρόχιμα ακμής με τροχούς τροχίσματος

Οι τροχοί που χρησιμοποιούνται για κοπή και τρόχιμα ακμής ενδέχεται να σπασούν ή να προκαλέσουν ανάδραση αν λυγίσουν ή συστραφούν όταν το εργαλείο χρησιμοποιείται σε εργασία κοπής ή τροχίσματος σε βάθος. Για να μειώσετε τον κίνδυνο σοβαρού τραυματισμού, περιορίστε τη χρήση αυτών των τροχών με κανονικό προφυλακτήρα Τύπου 27 σε μικρού βάθους κοπή και δημιουργία μικρού βάθους εντομών [βάθους μικρότερου από 13 mm (1/2 ίντσα)]. Η ανοικτή πλευρά του προφυλακτήρα πρέπει να είναι τοποθετημένη ώστε να δείχνει μακριά από το χειριστή. Για κοπή μεγαλύτερου βάθους με τροχό κοπής Τύπου 1, χρησιμοποιείτε κλειστό προφυλακτήρα Τύπου 1. Ανατρέξτε στον πίνακα αξεσουάρ τροχίσματος και κοπής που βρίσκεται στο πίσω μέρος της ενότητας γλώσσας.

- ◆ Αφήστε το εργαλείο να φθάσει στην πλήρη ταχύτητα πριν το φέρετε σε επαφή με την επιφάνεια εργασίας.
- ◆ Εφαρμόστε ελάχιστη πίεση στην επιφάνεια εργασίας, επιτρέποντας στο εργαλείο να λειτουργήσει σε υψηλή ταχύτητα. Η ταχύτητα τροχίσματος είναι μέγιστη όταν το εργαλείο λειτουργεί σε υψηλή ταχύτητα.
- ◆ Τοποθετήστε το σώμα σας ώστε η ανοικτή κάτω πλευρά του τροχού να κοιτάζει μακριά σας.
- ◆ Αφού αρχίσει η κοπή και έχει επιτευχθεί μια εντομή στο τεμάχιο εργασίας, μην αλλάξετε τη γωνία της κοπής. Η αλλαγή της γωνίας θα προκαλέσει κάμψη του τροχού και μπορεί να προκαλέσει θραύση του. Οι τροχοί τροχίσματος ακμής δεν είναι σχεδιασμένοι για να αντέχουν τις πλευρικές πιέσεις που προκαλούνται από την κάμψη.
- ◆ Απομακρύνετε το εργαλείο από την επιφάνεια εργασίας πριν απενεργοποιήσετε το εργαλείο. Επιτρέψτε στο εργαλείο να σταματήσει να περιστρέφεται πριν το αφήσετε.

Μη χρησιμοποιείτε τροχούς τροχίσματος ακμής/τροχούς κοπής για εφαρμογές τροχίσματος επιφανειών, επειδή οι τροχοί αυτοί δεν είναι σχεδιασμένοι για τις πλευρικές πιέσεις που δημιουργούνται κατά το επιφανειακό τρόχιμα. Μπορεί να προκληθεί θραύση και τραυματισμός.

Φινίρισμα επιφάνειας με εξαρτήματα περυγίων λείανσης

- ◆ Αφήστε το εργαλείο να φθάσει στην πλήρη ταχύτητα πριν το φέρετε σε επαφή με την επιφάνεια εργασίας.
- ◆ Εφαρμόστε ελάχιστη πίεση στην επιφάνεια εργασίας, επιτρέποντας στο εργαλείο να λειτουργεί σε υψηλή ταχύτητα. Η ταχύτητα λείανσης είναι μέγιστη όταν το εργαλείο λειτουργεί σε υψηλή ταχύτητα.
- ◆ Διατηρήστε γωνία 5° έως 10° μεταξύ του εργαλείου και της επιφάνειας εργασίας.
- ◆ Μετακινείτε συνεχώς το εργαλείο εμπρός-πίσω για να αποφύγετε την τοπική αφαίρεση υλικού σε μεγάλο βάθος από την επιφάνεια εργασίας.
- ◆ Απομακρύνετε το εργαλείο από την επιφάνεια εργασίας πριν το απενεργοποιήσετε. Επιτρέψτε στο εργαλείο να σταματήσει να περιστρέφεται πριν το αφήσετε.

Χρήση υποθεμάτων λείανσης

Χρησιμοποιείτε δίσκους λείανσης με κοκκώδες κατάλληλο για την εφαρμογή σας. Οι δίσκοι λείανσης διατίθενται σε διάφορα κοκκώδη. Οι αδροί κόκκοι προσφέρουν μεγαλύτερους ρυθμούς αφαίρεσης υλικού και πιο τραχύ φινίρισμα. Οι λεπτοί κόκκοι προσφέρουν πιο αργούς ρυθμούς αφαίρεσης υλικού και πιο λείο φινίρισμα.

Ξεκινήστε με δίσκους αδρού κοκκώδους για γρήγορη, χονδρική αφαίρεση υλικού. Αλλάξτε σε χαρτί μεσαίου κοκκώδους και τελειώστε με δίσκο λεπτού κοκκώδους για βέλτιστο φινίρισμα.

- ◆ Χοντρό γυαλόχαρτο 16 - 30
- ◆ Μεσαίο γυαλόχαρτο 36 - 80
- ◆ Φινίρισμα με φιλό γυαλόχαρτο 100 - 120
- ◆ Φινίρισμα με πολύ φιλό γυαλόχαρτο 150 - 180
- ◆ Αφήστε το εργαλείο να φθάσει στην πλήρη ταχύτητα πριν το φέρετε σε επαφή με την επιφάνεια εργασίας.
- ◆ Εφαρμόστε ελάχιστη πίεση στην επιφάνεια εργασίας, επιτρέποντας στο εργαλείο να λειτουργεί σε υψηλή ταχύτητα. Η ταχύτητα λείανσης είναι μέγιστη όταν το εργαλείο λειτουργεί σε υψηλή ταχύτητα.
- ◆ Διατηρήστε γωνία 5° έως 15° μεταξύ του εργαλείου και της επιφάνειας εργασίας. Ο δίσκος λείανσης πρέπει να έρχεται σε επαφή περίπου μία ίντσα (25 mm) με την επιφάνεια εργασίας.
- ◆ Μετακινείτε σταθερά το εργαλείο σε ευθεία γραμμή για να εμποδίσετε το κάψιμο και τη δημιουργία βαθιών κυκλικών χαραγών στην επιφάνεια εργασίας. Αν αφήνετε το εργαλείο να παραμείνει στην επιφάνεια εργασίας χωρίς να το μετακινείτε ή αν το μετακινείτε κυκλικά, προκαλείται κάψιμο και δημιουργία βαθιών κυκλικών χαραγών στην επιφάνεια εργασίας.
- ◆ Απομακρύνετε το εργαλείο από την επιφάνεια εργασίας πριν το απενεργοποιήσετε. Επιτρέψτε στο εργαλείο να σταματήσει να περιστρέφεται πριν το αφήσετε.

Χρήση συρματοβουρτσών τύπου καμπάνας και συρματινών τροχών

Οι τροχοί σύρματος και οι συρματοβουρτσες μπορούν να χρησιμοποιηθούν για αφαίρεση σκουριάς, επικαθίσεων και χρωμάτων και για τη λείανση ανώμαλων επιφανειών.

Σημείωση: Οι ίδιες προφυλάξεις πρέπει να λαμβάνονται κατά τη χρήση συρματοβουρτσας σε χρωματισμένες επιφάνειες καθώς και κατά το γυαλόχαρτο βαφής.

- ◆ Αφήστε το εργαλείο να φθάσει στην πλήρη ταχύτητα πριν το φέρετε σε επαφή με την επιφάνεια εργασίας.
 - ◆ Εφαρμόστε ελάχιστη πίεση στην επιφάνεια εργασίας, επιτρέποντας στο εργαλείο να λειτουργεί σε υψηλή ταχύτητα. Η ταχύτητα αφαίρεσης υλικού είναι μέγιστη όταν το εργαλείο λειτουργεί σε υψηλή ταχύτητα.
 - ◆ Διατηρήστε γωνία 5° έως 10° μεταξύ του εργαλείου και της επιφάνειας εργασίας για συρματοβουρτσες τύπου καμπάνας.
 - ◆ Διατηρείτε επαφή ανάμεσα στο άκρο του τροχού και την επιφάνεια εργασίας όταν χρησιμοποιείτε τροχούς σύρματος.
 - ◆ Μετακινείτε συνεχώς το εργαλείο εμπρός-πίσω για να αποφύγετε την τοπική αφαίρεση υλικού σε μεγάλο βάθος από την επιφάνεια εργασίας. Αν αφήνετε το εργαλείο να παραμείνει στην επιφάνεια εργασίας χωρίς να το μετακινείτε ή αν το μετακινείτε κυκλικά, προκαλείται κάψιμο και δημιουργία βαθιών κυκλικών χαραγών στην επιφάνεια εργασίας.
 - ◆ Απομακρύνετε το εργαλείο από την επιφάνεια εργασίας πριν απενεργοποιήσετε το εργαλείο. Επιτρέψτε στο εργαλείο να σταματήσει να περιστρέφεται πριν το αφήσετε.
- Χρησιμοποιείτε πρόσθετη προσοχή όταν εργάζεστε πάνω από μια ακμή, γιατί μπορείτε να αντιμετωπίσετε ξαφνική και απότομη κίνηση του εργαλείου τροχού.

Προφυλάξεις κατά τη χρήση συρματοβουρτσας σε χρωματισμένες επιφάνειες καθώς και κατά τη λείανση της βαφής

- ◆ Το γυαλόχαρτο επιφανειών με χρώματα βάσης μολύβδου DEN ΣΥΝΙΣΤΑΤΑΙ, λόγω της δυσκολίας ελέγχου της ρυθμότητας σκόνης. Ο μεγαλύτερος κίνδυνος δηλητηρίασης από μολύβδο είναι για παιδιά και εγκύους.
- ◆ Επειδή είναι δύσκολο να αναγνωριστεί χωρίς χημική ανάλυση αν ένα χρώμα περιέχει μολύβδο ή όχι, συνιστούμε τις εξής προφυλάξεις όταν λειανείτε οποιαδήποτε χρωματισμένη επιφάνεια:

Προσωπική ασφάλεια

- ◆ Δεν θα πρέπει στην περιοχή εργασίας όπου γίνονται εργασίες λείανσης να εισέρχονται παιδιά ή έγκυες έως ότου ολοκληρωθεί όλη η διαδικασία καθαρισμού.
- ◆ Όλα τα άτομα που εισέρχονται στην περιοχή εργασίας θα πρέπει να φορούν μάσκα ή αναπνευστική συσκευή. Το

φίλτρο θα πρέπει να αντικαθίσταται καθημερινά ή όταν αυτός που το φορά έχει δυσκολία στην αναπνοή.

Σημείωση: Θα πρέπει να χρησιμοποιούνται μόνο αυτές οι μάσκες κατά της σκόνης που είναι κατάλληλες για εργασία με χρώματα μολύβδου. Οι κανονικές μάσκες βαφής δεν προσφέρουν αυτή την προστασία. Απευθυνθείτε στο τοπικό σας κατάστημα υλικών για την κατάλληλη αναπνευστική προστασία.

- ◆ ΜΗΝ ΤΡΩΤΕ, ΠΙΝΕΤΕ ή ΚΑΠΝΙΖΕΤΕ στο χώρο εργασίας, για να αποφύγετε την πρόσληψη μολυσμένων σωματιδίων χρώματος. Οι εργαζόμενοι θα πρέπει να πλένονται και να καθαρίζονται ΠΙΝΟ από κατανάλωση φαγητού ή ποτού ή πριν το κάπνισμα. Δεν θα πρέπει να αφήνονται στην περιοχή εργασίας είδη φαγητού, ποτού ή καπνίσματος, γιατί θα μπορούσαν να μολυνθούν με σκόνη.

Ασφάλεια του περιβάλλοντος

- ◆ Το χρώμα θα πρέπει να αφαιρείται με τέτοιο τρόπο ώστε να ελαχιστοποιείται η ποσότητα της παραγόμενης σκόνης.
- ◆ Οι περιοχές όπου αφαιρείται χρώμα πρέπει να απομονώνονται με πλαστικά φύλλα πάχους 4 mil.
- ◆ Η λείανση θα πρέπει να γίνεται με τρόπο ώστε να μειώνεται η μεταφορά σκόνης χρώματος έξω από την περιοχή εργασίας.

Καθαρισμός και απόρριψη αποβλήτων

- ◆ Όλες οι επιφάνειες στην περιοχή εργασίας θα πρέπει να σκουπίζονται με ηλεκτρική σκούπα και να καθαρίζονται καθημερινά σχολαστικά για τη διάρκεια των εργασιών λείανσης. Οι σακούλες ηλεκτρικής σκούπας θα πρέπει να αλλάζονται συχνά.
- ◆ Τα πλαστικά πετάσματα πρέπει να συγκεντρώνονται και να απορρίπτονται μαζί με όλη τη σκόνη, ροκανίδια ή άλλα υπολείμματα από τη διαδικασία αφαίρεσης. Θα πρέπει να τοποθετούνται σε σφραγισμένα δοχεία απορριμμάτων και να απορρίπτονται μέσω των κανονικών διαδικασιών συλλογής απορριμμάτων. Κατά τον καθαρισμό, τα παιδιά και οι έγκυες θα πρέπει να παραμένουν μακριά από την άμεση περιοχή εργασίας.
- ◆ Όλα τα παιχνίδια, τα πλενόμενα έπιπλα και τα σκεύη που χρησιμοποιούνται από παιδιά θα πρέπει να πλένονται σχολαστικά πριν χρησιμοποιηθούν πάλι.

Χρήση τροχών κοπής

Μη χρησιμοποιείτε τροχούς τροχίσματος ακμής/τροχούς κοπής για εφαρμογές τροχίσματος επιφανειών, επειδή οι τροχοί αυτοί δεν είναι σχεδιασμένοι για τις πλευρικές πιέσεις που δημιουργούνται κατά το επιφανειακό τρόχιμα. Μπορεί να προκληθεί θραύση και τραυματισμός.

- ◆ Αφήστε το εργαλείο να φθάσει στην πλήρη ταχύτητα πριν το φέρετε σε επαφή με την επιφάνεια εργασίας.

- ◆ Εφαρμόστε ελάχιστη πίεση στην επιφάνεια εργασίας, επιτρέποντας στο εργαλείο να λειτουργεί σε υψηλή ταχύτητα. Η ταχύτητα κοπής είναι μέγιστη όταν το εργαλείο λειτουργεί σε υψηλή ταχύτητα.
- ◆ Αφού αρχίσει η κοπή και έχει επιτευχθεί μια εντομή στο τεμάχιο εργασίας, μην αλλάξετε τη γωνία της κοπής. Η αλλαγή της γωνίας θα προκαλέσει κάμψη του τροχού και μπορεί να προκαλέσει θραύση του.
- ◆ Απομακρύνετε το εργαλείο από την επιφάνεια εργασίας πριν το απενεργοποιήσετε. Επιτρέψτε στο εργαλείο να σταματήσει να περιστρέφεται πριν το αφήσετε.

Συντήρηση

Αυτό το εργαλείο της Stanley Fat Max έχει σχεδιαστεί έτσι ώστε να λειτουργεί για μεγάλο χρονικό διάστημα με την ελάχιστη δυνατή συντήρηση. Η συνεχής ικανοποιητική λειτουργία εξαρτάται από τη σωστή φροντίδα και τον τακτικό καθαρισμό του εργαλείου.

Ο φορτιστής σας δεν χρειάζεται άλλη συντήρηση πέραν του τακτικού καθαρισμού.

Προειδοποίηση! Πριν πραγματοποιήσετε οποιαδήποτε συντήρηση σε ηλεκτρικά εργαλεία με καλώδιο/χωρίς καλώδιο:

- ◆ Απενεργοποιήστε και αποσυνδέστε τη συσκευή/το εργαλείο από την πρίζα.
- ◆ Ή απενεργοποιήστε και αφαιρέστε το πακέτο μπαταρίας από τη συσκευή/το εργαλείο, εάν η συσκευή/το εργαλείο διαθέτει αφαιρούμενο πακέτο μπαταρίας.
- ◆ Ή χρησιμοποιήστε την μπαταρία μέχρι να αδειάσει εντελώς, αν είναι ενσωματωμένη, και στη συνέχεια απενεργοποιήστε.
- ◆ Πριν καθαρίσετε το φορτιστή, αποσυνδέστε τον από την πρίζα. Ο φορτιστής σας δεν χρειάζεται άλλη συντήρηση πέραν του τακτικού καθαρισμού.
- ◆ Να καθαρίζετε τακτικά τις εγκοπές εξαιρισμού της συσκευής/του εργαλείου/του φορτιστή χρησιμοποιώντας μια μαλακή βούρτσα ή ένα στεγνό πανί.
- ◆ Να καθαρίζετε τακτικά το περιβάλλον του μοτέρ με ένα ελαφρά υγρό πανί. Μην χρησιμοποιείτε καθαριστικά που χαράζουν ή περιέχουν διαλύτες.
- ◆ Να ανοίγετε τακτικά το τσοκ (όταν είναι τοποθετημένο) και να το χτυπάτε ελαφρά για να αφαιρέτε τη σκόνη από το εσωτερικό του.

Προστασία του περιβάλλοντος



Χωριστή συλλογή. Τα προϊόντα και οι μπαταρίες που επισημαίνονται με αυτό το σύμβολο δεν πρέπει να απορρίπτονται μαζί με τα κανονικά οικιακά απορρίμματα.

Τα προϊόντα και οι μπαταρίες περιέχουν υλικά που μπορούν να ανακτηθούν ή να ανακυκλωθούν ώστε να μειωθούν οι ανάγκες για πρώτες ύλες.

Παρακαλούμε να ανακυκλώνετε τα ηλεκτρικά προϊόντα και τις μπαταρίες σύμφωνα με τους τοπικούς κανονισμούς. Περισσότερες πληροφορίες διατίθενται στον ιστότοπο www.2helpU.com.

Τεχνικά χαρακτηριστικά

		FMC761 (H1)
Τάση	V_{DC}	18
Ταχύτητα χωρίς φορτίο	Min^{-1}	9.000
Διάμετρος δίσκου	mm	125
Οπή δίσκου	mm	22
Μέγ. πάχος δίσκου		
δίσκος τροχίσματος	mm	6
δίσκος κοπής	mm	3,5
Διάμετρος άξονα		M14
Μήκος άξονα (με την εσωτερική φλάντζα τοποθετημένη)	mm	14
Μήκος άξονα (χωρίς την εσωτερική φλάντζα τοποθετημένη)	mm	19,5
Βάρος	kg	2,9

Φορτιστής	905998**	906086**
Τάση εισόδου	V_{AC} 230	230
Τάση εξόδου	V_{DC} 18	18
Ρεύμα	A 1	2
Χρόνος φόρτισης περ.	min 90-240	45-120

Μπαταρία	FMC685L	FMC687L	FMC688L
Τάση	V_{AC} 18	18	18
Χωρητικότητα	Ah 1,5	2,0	4,0
Τύπος	Λιθίου-ϊόντων	Λιθίου-ϊόντων	Λιθίου-ϊόντων

Στάθμη ηχητικής πίεσης σύμφωνα με το EN 60745:
Ηχητική πίεση (L_{pA}) 80,5 dB(A), αβεβαιότητα (K) 3 dB(A)
Ηχητική ισχύς (L_{WA}) 91,5 dB(A), αβεβαιότητα (K) 3 dB(A)

Οι συνολικές τιμές δόνησης (διαυναμιακό άθροισμα τριών αξόνων) κατά EN 60745:
Επιφανειακό τρόχισμα ($a_{h,sc}$) 3,9 m/s^2 , αβεβαιότητα (K) 1,5 m/s^2
Στίλβωση ($a_{h,p}$) 2,0 m/s^2 , αβεβαιότητα (K) 1,5 m/s^2
Γυαλοχάρσιμα με δίσκο ($a_{h,gs}$) 4,5 m/s^2 , αβεβαιότητα (K) 1,5 m/s^2

Προσοχή! Για εφαρμογές όπως κοπής ή χρήσης συρματόβουρτσας μπορεί να ισχύουν διαφορετικές τιμές εκπομπών κραδασμών.

Δήλωση συμμόρφωσης ΕΚ

ΟΔΗΓΙΑ ΠΕΡΙ ΜΗΧΑΝΗΜΑΤΩΝ



FMC761 - Γωνιακός τροχός μπαταρίας

Η Stanley Fat Max δηλώνει ότι αυτά τα προϊόντα που περιγράφονται στα «τεχνικά χαρακτηριστικά» συμμορφώνονται με: EN60745-1:2009+A11:2010, EN60745-2-3:2011+A12:2014

Αυτά τα προϊόντα συμμορφώνονται επίσης με την Οδηγία 22006/42/EK, 2014/30/EU και 2011/65/EE.

Για περισσότερες πληροφορίες, παρακαλείστε να επικοινωνήσετε με την Stanley Fat Max στην παρακάτω διεύθυνση ή να ανατρέξετε στο πίσω μέρος του εγχειριδίου.

Ο κάτωθι υπογεγραμμένος είναι υπεύθυνος για την κατάρτιση του τεχνικού φακέλου και δηλώνει τα παρόντα εκ μέρους της Stanley Fat Max.

R. Laverick

Διευθυντής Σχεδιασμού

Stanley Fat Max Europe, Egide Walschaertsstraat 14-18,
2800 Mechelen, Belgium
1/10/2018

Εγγύηση

Η Stanley Fat Max είναι σίγουρη για την ποιότητα των προϊόντων της και προσφέρει στους καταναλωτές εγγύηση 12 μηνών από την ημερομηνία αγοράς. Αυτή η εγγύηση είναι πρόσθετο δικαίωμά σας και δεν ζημιώνει τα νόμιμα δικαιώματά σας. Η εγγύηση ισχύει εντός της επικράτειας των χωρών μελών της Ευρωπαϊκής Ένωσης και της Ευρωπαϊκής Ζώνης Ελεύθερων Συναλλαγών.

Για να υποβάλετε αξίωση βάσει της εγγύησης, η αξίωση θα πρέπει να είναι σύμφωνη με τους Όρους και προϋποθέσεις της Stanley Fat Max και θα χρειαστεί να υποβάλετε απόδειξη αγοράς στον πωλητή ή σε εξουσιοδοτημένο αντιπρόσωπο επισκευών. Μπορείτε να αποκτήσετε τους Όρους και προϋποθέσεις της εγγύησης 1 ετών της Stanley Fat Max και να μάθετε την τοποθεσία του πλησιέστερου εξουσιοδοτημένου αντιπροσώπου επισκευών στο Internet στο www.2helpU.com, ή επικοινωνώντας με το τοπικό σας γραφείο Stanley Fat Max στη διεύθυνση που υποδεικνύεται στο παρόν εγχειρίδιο.

Επισκεφθείτε την ιστοσελίδα μας www.stanley.eu/3 για να καταχωρίσετε το νέο σας προϊόν Stanley Fat Max και για να ενημερώνεστε για τα νέα προϊόντα και τις ειδικές προσφορές.

België/Belgique	Stanley Fat Max E. Walschaertstraat 14-16 2800 Mechelen Belgium	De. Tel. +32 70 220 065 Fr. Tel. +32 70 220 066 Fax +32 15 473 799 www.stanleytools.eu Enduser.be@SBDinc.com
Danmark	Stanley Fat Max Farveland 1B 2600 Glostrup	Tel. 70 20 15 10 Fax 70 22 49 10 www.stanleyworks.dk
Deutschland	Stanley Fat Max Richard Klinger Str. 11, D - 65510 Idstein	Tel. 06126 21-1 Fax 06126 21-2770
Ελλάδα	Stanley Fat Max. Στράβωνος 7 & Λεωφ. Βουλιαγμένης 159 Γλυφάδα 166 74 - Αθήνα	Τηλ. +30 210 8981-616 Φαξ +30 210 8983-285 www.stanleyworks.gr
España	Stanley Fat Max. Parc de Negocis "Mas Blau" Edificio Muntadas, c/Bergadá, 1, Of. A6 08820 El Prat de Llobregat (Barcelona)	Tel. 934 797 400 Fax 934 797 419 respuesta.postventa@sbdinc.com www.stanleyworks.es
France	Stanley Fat Max 5 allée des Hêtres B.P. 30084 69579 Limonest Cédex	Tel. 04 72 20 39 20 Fax 04 72 20 39 00 www.stanleyouillage.fr
Helvetia	Stanley Fat Max In der Luberzen 40 8902 Urdorf	Tel. 01 730 67 47 Fax 01 730 70 67 www.stanleyworks.de
Italia	Stanley Fat Max EnergyPark-Building 03 sud, Via Monza 7/A 20871 Vimercate (MB)	Tel. 039-9590200 Fax 039-9590313 www.stanley.it
Nederland	Stanley Fat Max Joulehof 12, 4600 RG Bergen op Zoom	Tel. +31 164 283 065 Fax +31 164 283 200 Enduser.NL@SBDinc.com
Norge	Stanley Fat Max Postboks 4613, Nydalen 0405 Oslo	Tlf. 45 25 13 00 Fax 45 25 08 00
Österreich	Stanley Fat Max Oberlaaerstraße 248, A-1230 Wien	Tel. 01 66116-0 Fax 01 66116-614 www.stanleyworks.de
Portugal	Stanley Fat Max Centro de Escritórios de Sintra Avenida Almirante Gago Coutinho, 132/134, Edifício 142710-418 Sintra 2710-418 Lisboa	Tel. 214667500 Fax 214667575 resposta.posvenda@sbdinc.com
Suomi	Stanley Fat Max Tekniikantie 12, 02150 Espoo	Puh. 010 400 430 Faksi 0800 411 340 www.stanleyworks.fi
Sverige	Stanley Fat Max Box 94, 431 22 Mölndal	Tel. 031-68 61 00 Fax 031-68 60 08
Türkiye	Stanley Fat Max KALE Hırdavat ve Makina A.Ş. Deftardar Mah. Savaklar Cad. No:15 Edirnekapı / Eyüp / İSTANBUL 34050	Puh. 0212 533 52 55 Faks 0212 533 10 05 www.stanleyworks.fi
United Kingdom	Stanley Fat Max 210 Bath Road Slough, Berkshire SL1 3YD	Tel. +44 (0)1753 511234 Fax +44 (0)1753 551155 www.stanleytools.co.uk
Middle East & Africa	Stanley Fat Max P.O.Box - 17164 Jebel Ali (South Zone), Dubai, UAE	Tel. +971 4 8127400 Fax +971 4 8127036 www.stanleyworks.ae